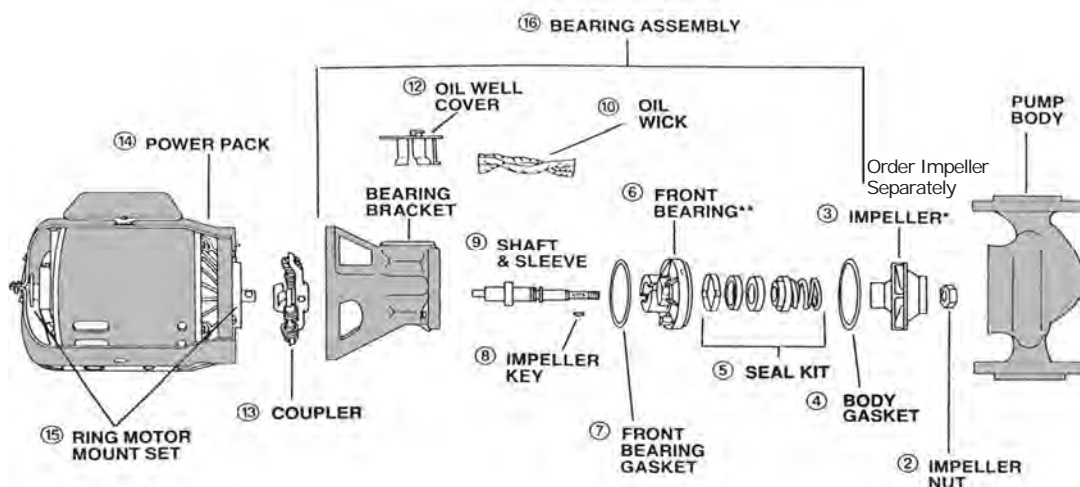


# Repair Parts for Model PR, 2½, LD-3, HD-3 Pumps



The best way to repair a pump is to order a **Bearing Assembly**. It includes all the component parts pre-assembled into an easy-to-install pump housing.



All Bearing Assemblies shown here are "Bronze Fitted": They are used on red and bronze pumps.

If needed, order the impeller separately.

The replacement Bearing Assemblies also include the seal kit, body gasket and tube of oil but not the impeller.

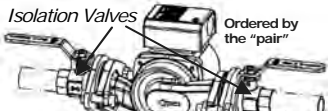

## Repair Parts for Bell & Gossett PR, 2 ½", LD-3" & HD-3"

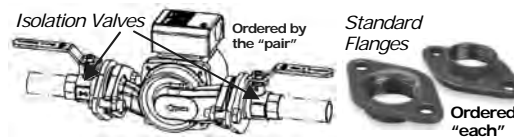
Item No.	Description	Pump Model ▶	PR	2 ½	LD-3	HD-3
		Pump Color ▶	Red or Bronze	Red or Bronze	Red or Bronze	Red or Bronze
		HP & Phase ▶	1/6, 1ph	1/4, 1ph	1/4, 1ph	1/3, 1ph
16	Bearing Assembly less impeller		<b>189105</b>	<b>189105</b>	<b>189105</b>	<b>189105</b>
3	Impeller, Steel <i>(not included with bearing assembly)</i>		<b>BG1325</b>	<b>BG1295</b>	<b>BG1295</b>	<b>BG1290</b>
	Impeller, Bronze <i>(not included with bearing assembly)</i>		<b>BG1250</b>	<b>BG1230</b>	<b>BG1230</b>	<b>BG1227</b>
13	Coupler		<b>BG1490</b>	<b>BG1320</b>	<b>BG1320</b>	<b>BG1320</b>
14	Motor (Power Pack)		<b>BG1075</b>	<b>BG1090</b>	<b>BG1090</b>	<b>BG1095</b>
15	Motor Mount Set (2 ea.)		<b>BG1160</b>	<b>BG1160</b>	<b>BG1160</b>	<b>BG1160</b>
5	Seal Kit, <i>also order a Body Gasket</i>		<b>BG1300</b>	<b>BG1300</b>	<b>BG1300</b>	<b>BG1300</b>
4	Body Gasket		<b>BG1535</b>	<b>BG1535</b>	<b>BG1535</b>	<b>BG1535</b>
10	Oil Wick Set		<b>BG1200</b>	<b>BG1200</b>	<b>BG1200</b>	<b>BG1200</b>
	Pump Flange, Red - <i>Sold individually by the "each."</i>	See tables below.		<b>BG1519A</b>	<b>BG1511</b>	<b>BG1511</b>
	Pump Flange, Bronze - <i>Sold individually by the "each."</i>			<b>BG1538</b>	<b>BG1511C</b>	<b>BG1511C</b>
	Gasket Set for above Pump Flanges		<b>BG1185</b>	<b>BG1140</b>	<b>BG1140</b>	<b>BG1140</b>
	Tube of B&G pump oil —2 ounces		<b>BG1145</b>	<b>BG1145</b>	<b>BG1145</b>	<b>BG1145</b>

### Bearing Assembly Repair Parts

### Isolation Ball Valves

### PR Pump Flanges

Item No.	Description	Bearing Assembly	Isolation Ball Valves make pump repair and replacement easy! Sold by the pair	Order No.	Pump Flange Size	Pump Flange Red	Pump Flange Bronze
6	Front Bearing	<b>BG1562L</b>	¾" Isolation Ball Valves	<b>BI2700</b>	¾"	P00787	P00835
7	Front Bearing Gasket	<b>BG1615</b>	1" Isolation Ball Valves	<b>BI2701</b>	1"	<b>BG1519A</b>	<b>BG1519D</b>
8	Impeller Key for Shaft	<b>BG1527</b>	1¼" Isolation Ball Valves	<b>BI2702</b>	1-1/4"	<b>BG1519F</b>	<b>P00837</b>
	Impeller Gasket	<b>BG1552</b>	1½" Isolation Ball Valves	<b>BI2702B</b>	1-1/2"	P03430	P00779
2	Impeller Nut	<b>BG1542</b>	<b>Isolation ball valves</b> replace the standard pump flanges. These On-Off valves allow the pump to easily be removed for repair or replacement.				
12	Oil Well Cover	<b>BG1625</b>					
9	Shaft and Sleeve	<b>BG1440</b>					



# PARTS FOR SERIES PR, 2 1/2", LD-3 & HD-3

## SERIES PR, 2 1/2", LD-3 & HD-3 MANUFACTURED AFTER 1950

ITEM NO.	DESCRIPTION	PR	2 1/2"	LD-3	HD-3
		102206 (IB) 102207 (BI) 102208 (AB)	102218 (IB) 102219 (BI) 102220 (AB)	102222 (IB) 102223 (BI) 102224 (AB)	102226 (IB) 102227 (BI) 102228 (AB)
1	Body (Cast Iron)	118637	118644	118644	118644
1	Body (Brass)	P2000052	P07610	P07610	P07610
	Body Capscrew (4 required)	P03470	P03470	P03470	P03470
4	Bearing Assembly	189105LF	189105LF	189105LF	189105LF
8	Impeller (Steel)	118830	118676	118676	118675
8	Impeller (Brass)	118612LF	118440LF	118440LF	118439LF
5	Coupler Assembly	118705+	118723	118723	118723
	Flange (Steel)	-	P03560	F74000	F74000
	Flange (Brass)	-	P2000093	P2000081	P2000081
	Flange for PR Only (Steel, 3/4")	P00739	-	-	-
	Flange for PR Only (Brass, 3/4")	P00789	-	-	-
	Flange for PR Only (Steel, 1")	P00792	-	-	-
	Flange for PR Only (Brass, 1")	P00836	-	-	-
	Flange for PR Only (Steel, 1 1/4")	P03250	-	-	-
	Flange for PR Only (Brass, 1 1/4")	P00837	-	-	-
	Flange for PR Only (Steel, 1 1/2")	P03430	-	-	-
	Flange for PR Only (Brass, 1 1/2")	P2000085	-	-	-
	Flange Gasket Set	118368	118129	118129	118129
	Fastener Package	P64910▼	P65130	P65130	P65130
6	Power Pack – Sleeve Bearing	111031**	111040***	111040***	111042
6	Power Pack – Ball Bearing	NONE	1699239▲	1699239▲	1699240▲
22	Ring Motor Mount Set	118223	118228	118228	118228
5 & 22	Coupler & Ring Mount Set	118706	118724	118724	118724

### BEARING ASSEMBLY

ITEM NO.	DESCRIPTION	189105LF
13	Bearing Bracket	P77177
2	Body Gasket	P05800
14	Front Bearing	P77087
15	Front Bearing Gasket	P80816
27	Impeller Key	P04940
	Impeller Gasket	P57000
9	Impeller Nut	P2000236 <sup>1</sup>
12	Oil Well Cover	P81239
19	Oil Wick Set	118395
11	Seal Kit*	118681LF
21	Shaft & Sleeve	189035LF

+ Cast Iron type. For Stamped Steel, use 189110.

\*For Built-To-Order pumps, see the seal selection chart on page 36.

\*\*For 115V only. For 230V, use 111033.

\*\*\*For 115V only. For 230V, use 111041.

<sup>1</sup>On IB pumps, P04650 lockwasher & P04670 nut may be used.

▼Includes flange gaskets.

▲Pumps are furnished with sleeve bearing motors. Ball bearing motors are available as replacement only and are completely interchangeable.

■ – Factory recommended spare parts.

**NOTE:** Refer to page 3 for exploded view of typical circulator.