

# A. O. SMITH

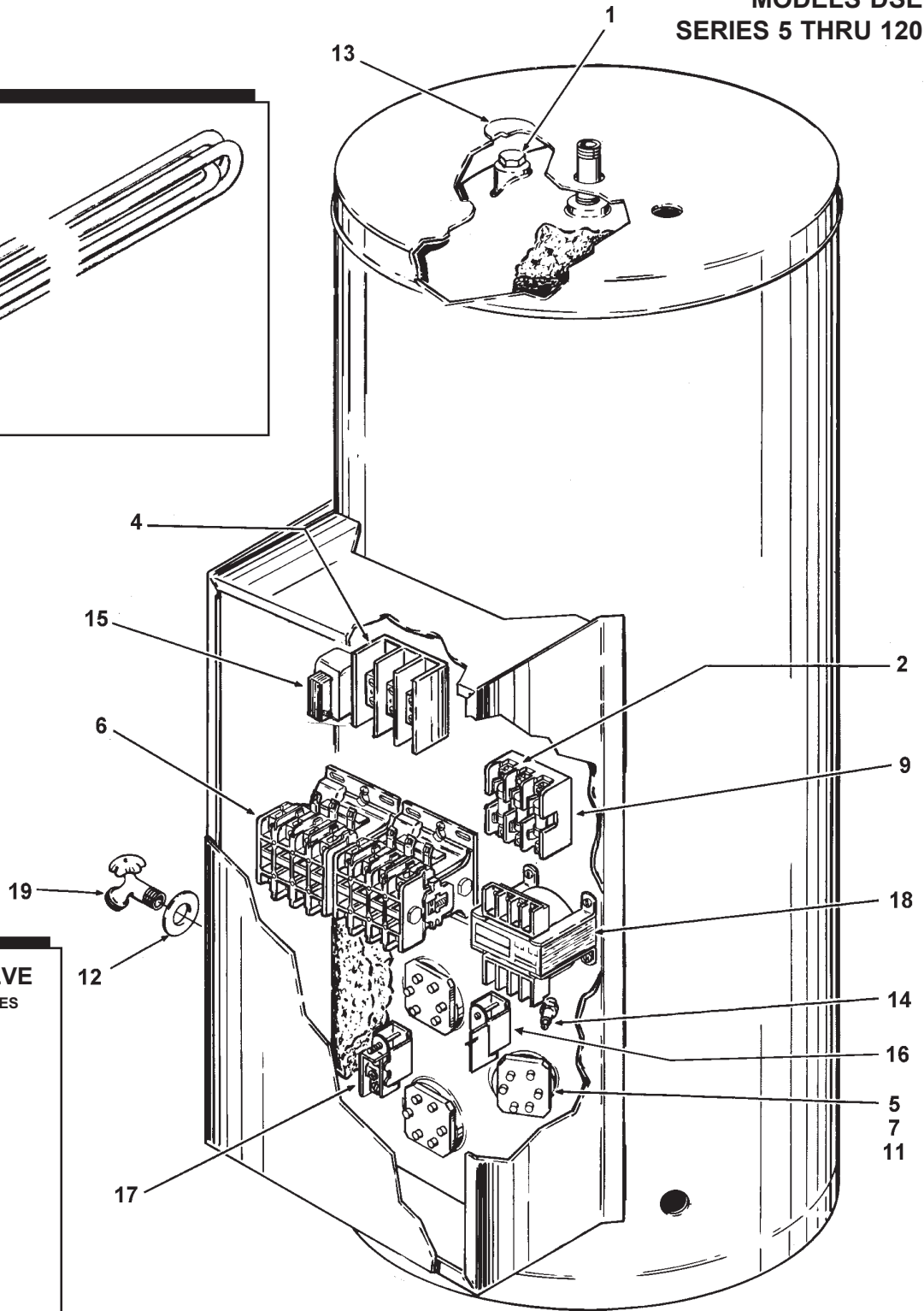
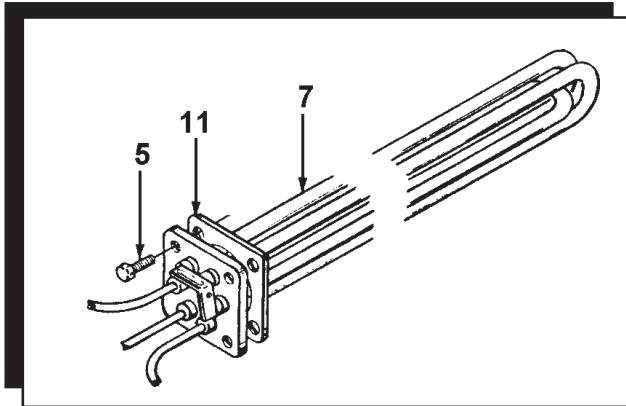
## WATER PRODUCTS COMPANY

PSD-6-605/c

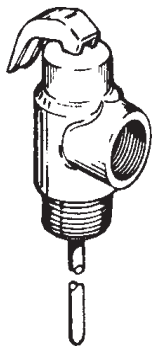
# ELECTRIC

COMMERCIAL WATER HEATER  
REPLACEMENT PARTS LIST

MODELS DSE  
SERIES 5 THRU 120



**3/4" T&P RELIEF VALVE**  
AUTOMATIC, SELF-CLOSING TYPES



20

**A. O. SMITH WATER PRODUCTS CO., INC.**

5621 W. 115TH STREET • ALSIP, ILLINOIS 60803

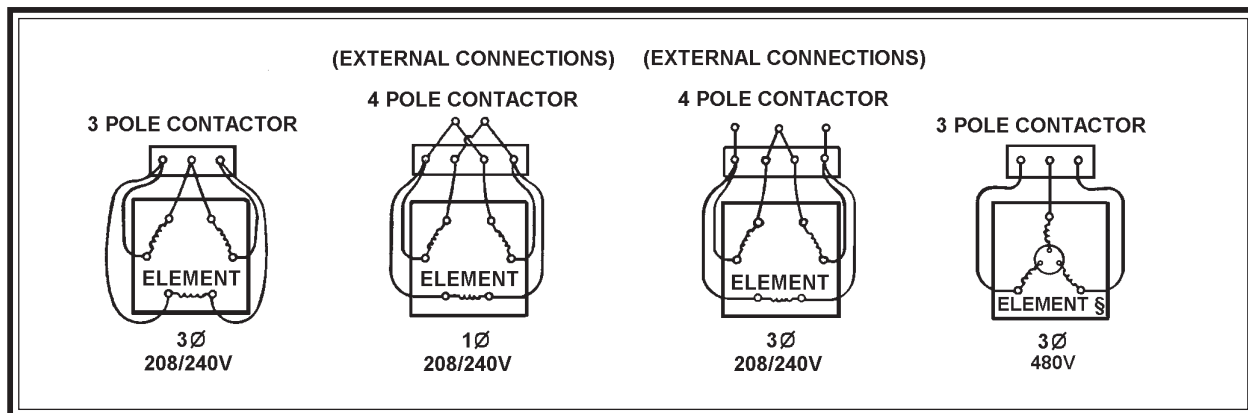
PHONE: 1-800-433-2545

FAX: 1-800-433-2515 • WWW.HOTWATER.COM

**Table 1. ELEMENT CHART AND CONNECTIONS**

A.O. Smith Part Number	KW	Volts	Phase	Element length	Fits Tank Size (Gal's)	A.O. Smith Part Number	kw	Volts	Phase	Element Length	Fits Tank Size (Gal's)
5200 60002-1 60003-1	2	208 240 480	1 or 3 1 or 3 3§	9.5"	5 thru 120	60001-4 60002-6 60003-6	9	208 240 480§	1 or 3 1 or 3 3§	15.5"	20 thru 120
5200-1 60002-2 60003-2	3	208 240 480	1 or 3 1 or 3 3§	9.5"	5 thru 120	60001-5 60002-7 60003-7	10	208 240 480	1 or 3 1 or 3 3§	15.5"	2- thru 120
60001-1 60002-3 60003-3	5	208 240 480	1 or 3 1 or 3 3§	9.5"	5 thru 120	60001-7 60002-9 60003-9	12	208 240 480§	1 or 3 1 or 3 3§	15.0"	65 thru 120
60001-2 60002-4 60003-4	6	208 240 480§	1 or 3 1 or 3 3§	12.0"	10 thru 120	60001-9 60002-11 60003-11	15	208 240 480§	1 or 3 1 or 3 3§	15.0"	65 thru 120
60001-3 60002-5 60003-5	7.5	208 240 480	1 or 3 1 or 3 3§	14.5"	20 thru 120	60001-12 60002-14 60003-14	18	208 240 480§	1 or 3 3§	15.0"	65 thru 120

§ Elements marked 277/480V. Element resistance wires operate at 277V 1Ø on 480V 3Ø due to Y connection on element.



**Table 2. CONTROL CIRCUIT FUSING**

Voltage	120	208	220	240	277	380	415	480	575	600
Fuse Type	FNM	FNQ-R	FNQ-R	FNQ-R	FNQ-R	FNQ-R	FNQ-R	FNQ-R	FNQ-R	FNQ-R
VA	Secondary		Primary							
501	<b>0.6</b> (02005006) <u>2005-6</u>	<b>1.25</b> (02006012) <u>2006-6</u>	N/A	N/A	<b>0.8</b> (02006008) <u>2006-8</u>	<b>0.6</b> (02006006) <u>2006-6</u>	N/A	N/A	<b>0.4</b> (02006004) <u>2006-4</u>	<b>0.4</b> (02006004) <u>2006-4</u>
75	<b>1</b> (02005010) <u>2005-10</u>	<b>1.5</b> (02006015) <u>2006-15</u>	<b>1.5</b> (02006015) <u>2006-15</u>	<b>1.5</b> (02006015) <u>2006-15</u>	<b>1.25</b> (02006012) <u>2006-12</u>	<b>0.8</b> (02006008) <u>2006-8</u>	<b>0.8</b> (02006008) <u>2006-8</u>	<b>0.6</b> (02006006) <u>2006-6</u>	<b>0.6</b> (02006006) <u>2006-6</u>	<b>0.6</b> (02006006) <u>2006-6</u>
100	<b>1.25</b> (02005012) <u>2005-12</u>	<b>2</b> (02006020) <u>2006-20</u>	<b>2</b> (02006020) <u>2006-20</u>	<b>2</b> (02006020) <u>2006-20</u>	<b>1.5</b> (02006015) <u>2006-15</u>	<b>1.25</b> (02006012) <u>2006-12</u>	<b>1.25</b> (02006012) <u>2006-12</u>	<b>0.8</b> (02006008) <u>2006-8</u>	<b>0.8</b> (02006008) <u>2006-8</u>	<b>0.8</b> (02006008) <u>2006-8</u>

Fuse Amp rating is shown in **bold**.  
Seattle Part Numbers are shown in ( ).  
PSD Part Numbers are shown underlined.

Item	Description	Seattle Part Number	PSD Part Number
1	Anode:		
	16" Long, 0.840" Ø, ¾" NPT	06200016	5206-18
	24" Long, 0.840" Ø, ¾" NPT	06200024	5206-24
	39" Long, 0.840" Ø, ¾" NPT	06200039	5206-39
2	Fuse Block - Control Circuit:		
	Primary fuse Block - 2 Pole	02101032	2101-32
	Secondary Fuse Block - 1 Pole	02101031	2101-31
3	* Fuse Block - Power Circuit:		
	3 Pole, 60 Amp, 300 Volt	02103360	98371
	3 Pole, 60 Amp, 600 Volt	02106360	5335
4	Block, Power Distribution	REFER TO PSD or FACTORY	
5	Element Bolt 3/8" - 16 ¾"	08050303	5288
6	Contactors:		
	* 3 Pole, 50 Amp, 120 Volt	01503120	5102-3
	4 Pole, 50 Amp, 120 Volt	01504120	5102-4
7	Elements	REFER TO TABLE 1 (on previous page)	
8	* Element Opening Blank Plate	01241000	26344-1
9	Fuse - Control Circuit	REFER TO TABLE 2 (on previous page)	
10	* Fuse - Power Circuit:		
	50 Amp, 300 Volt, Buss # SC - 50	02000050	98376
	60 Amp, 300 Volt, Buss # SC - 60	02000060	99253
	50 Amp, 600 Volt, Buss # SC - 50	02000150	5337-1
	60 Amp, 600 Volt, Buss # SC - 60	02000160	5337-2
11	Element Gasket	01240406	5109
12	Grommet, Drain Valve	09014012	20172-6
13	Plug, Anode Opening	09014046	5274
14	+ Probe, Low Water Cut Off Relay	04600020	5106
15	+ Low Water Cut Off Relay	04600010	5105
16	Switch:		
	Manual Reset (with compression fitting)	03105431	310543-A
	* Automatic Reset (with compression fitting)	03100081	310008-A
17	Thermostat (with compression fitting)	03100081	310008-A
18	Transformer:		
	208/220/240/277V	01605007	1605-7
	380/480V	01606006	1606-6
19	Drain Valve:		
	¾" NPT Male (5-50 Gallon)	01222004	33937
	* ¾" NPT Female (65-120 Gallon)	01222004	
	* ¾" NPT x 4" Nipple for Female Drain Valve	01036206	
20	Relief Valve ¾"	01204125	
21	◆ Wire:		
	Control Circuit, White, 14 AWG, THWN/THHN	09010214	35841
	Control Circuit, Black, 14 AWG, THWN/THHN	09010214	30623
	Power Circuit, Black, 8 AWG, THWN/THHN	09010208	5277

\* Not Illustrated

+ Optional

◆ When ordering, indicate length in inches. (Example): 35841-100 = 100" length)



**A.O. SMITH**  
**WATER PRODUCTS**  
**COMPANY**  
PSD / Alsip, IL

**A.O. SMITH WATER PRODUCTS CO., INC.**  
5621 W. 115TH STREET • ALSIP, ILLINOIS 60803  
PHONE: 1-800-433-2545 • FAX: 1-800-433-2515  
Website: [WWW.HOTWATER.COM](http://WWW.HOTWATER.COM) • EMAIL: [PARTS@HOTWATER.COM](mailto:PARTS@HOTWATER.COM)