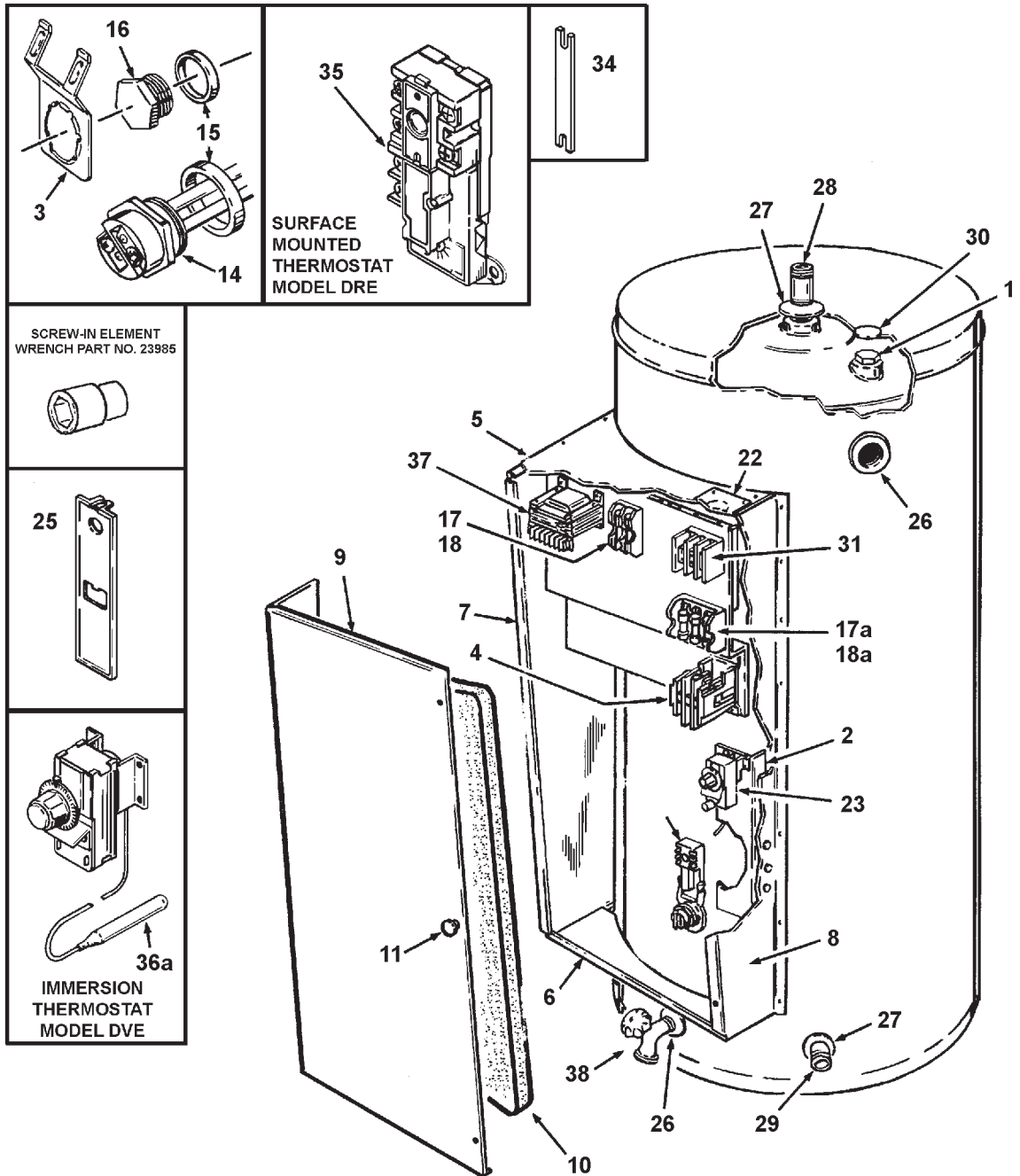


A.O. Smith

Water Heaters

ELECTRIC

COMMERCIAL WATER HEATER PARTS LIST
 MODELS DRE/DVE-52, 80, 120
 SERIES: 920



A.O. SMITH WATER HEATER PARTS FULFILLMENT
 125 SOUTHEAST PARKWAY • FRANKLIN, TN 37068
 Phone: 1-800-527-1953 • Fax: 1-800-433-2515
 WEBSITE: www.aosmithwaterheaters.com • Email: parts@hotwater.com

| Item | Description | DRE/DVE-52 | DRE/DVE-80 | DRE/DVE-120 |
|------|--|--|--|--|
| | | 920 | 920 | 920 |
| 1 | Anode (2) BRACKET | 9003893 | 9003893 | 9004097 |
| 2 | Control (DVE) | 9005373 | 9005373 | 9005373 |
| 3 | Thermostat (DRE) | 9003898 | 9003898 | 9003898 |
| 4 | Contactora (DVE) CONTROLCOMPARTMENTASSEMBLY | 9005013 | 9005013 | 9005013 |
| 5 | Top (916 Series) | 191821 | 191821 | 191821-1 |
| 6 | Bottom (916 Series) | 191822 | 191822 | 191822 |
| 7 | Left (920 Series) | 191818 | 191818 | 191818 |
| 8 | Right (920 Series) DOOR | 191818-1 | 191818-1 | 191818-1 |
| 9 | Assembly (916 Series) | 191823 | 191823 | 191823 |
| 10 | Foam Cover | 191674 | 191592 | 191592 |
| 11 | Handle | 89410 | 89410 | 89410 |
| 12* | Catch | 28666 | 28666 | 28666 |
| 13* | Strike | 28639 | 28639 | 28639 |
| 14 | ELEMENT (To Maximum of Nine -54KW Total) | SEE CHART | | |
| 15 | Element Gasket | 9000308 | 9000308 | 9000308 |
| 16 | Element Hex Plug | 9005897 | 9005897 | 9005897 |
| 17 | FUSE -Control Circuit, DVE | 9005720 | 9005720 | 9005720 |
| 17a | FUSE, Power Circuit Single & 3 Delta 208V/240V/480V, Single 277V | 9005904 | 9005904 | 9005904 |
| 18 | FUSE BLOCK, Control Circuit (2 pole) | 9005721 | 9005721 | 9005721 |
| 18a | FUSE BLOCK, Power Circuit Single & 3 Delta 208V/240V/480V, Single 277V (3 pole) | 9005009 | 9005009 | 9005009 |
| | LABEL | | | |
| 19* | Manual, Instruction | 196674 | 196674 | 196674 |
| 20* | Temperature | 182734 | 182734 | 182734 |
| 21* | Warning, Scald | 181138 | 181138 | 181138 |
| 22 | Knockout Plate | 099325-1 | 099325-1 | 099325-1 |
| 23 | Limit Control (DVE) | 9004961 | 9004961 | 9004961 |
| 24* | LUGGROUND 208V 45 & 54KW, 240V 54KW All Others 39698 39698 39698 | 39698-1 | 39698-1 | 39698-1 |
| 25 | PersonnelProtector(DRE) PIPE | 9003899 | 9003899 | 9003899 |
| 26 | Collar | 9004610 | 9004610 | 9004610 |
| 27 | Collar | 99677-13 | 99677-13 | 99677-13 |
| 28 | Nipple | 9004228 | 9004228 | 9004228 |
| 29 | Nipple | 9005922 | 9005922 | 9005922 |
| 30 | Plug, Cap | 42306 | 42306 | 42306 |
| 31 | TERMINALBLOCK 6KW-18K+B77W (All) 18KW-36KW (All) 36KW-54KW (Single & 3 Delta, 208V/240V, Single 277V) 36KW-54KW (Single & 3 Delta, 480V) | 9005010 9005011 9005099 9005011 | 9005010 9005011 9005099 9005011 | 9005010 9005011 9005099 9005011 |
| 32* | Terminal Disconnect | 99593-2 | 99593-2 | 99593-2 |
| 34 | Terminal Strap (DVE) | 78288 | 78288 | 78288 |
| 35 | Thermostat w/High Limit (DRE) | 9004533 | 9004533 | 9004533 |
| 36 | Thermostat, Immersion (DVE) | 9005078 | 9005078 | 9005078 |
| 36a | Thermostat Well Only | 9005714 | 9005714 | 9005714 |
| 37 | Transformer (DVE) | 9005012 | 9005012 | 9005012 |
| 38 | Valve, Drain | 9003907 | 9003907 | 9003907 |
| 39* | VALVE, RELIEF 3 Element 6 Element | 9005715 9005923 | 9005715 9005923 | 9005715 9005923 |
| 40* | Valve, Relief, Extension Nipple | 9005717 | 9005717 | 9005717 |
| 41*♦ | WIRE Control Circuit 14 AWG White Power Circuit 12 AWG Black | 35841 30623-300 | 35841 30623-300 | 35841 30623-300 |

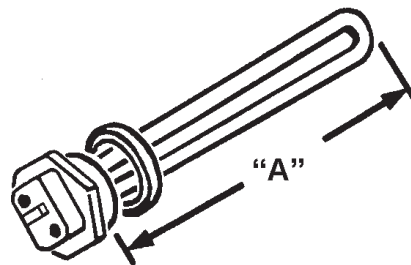
| Item | Description | DRE/DVE-52 920 | DRE/DVE-80 920 | DRE/DVE-120 920 |
|-----------------------------------|---------------------------------|-------------------|-------------------|--------------------|
| | Blue | 30622-150 | 30622-150 | 30622-150 |
| | Red | 30621-300 | 30621-300 | 30621-300 |
| | Yellow | 30624-150 | 30624-150 | 30624-150 |
| 42* | Wire, Ground | 78312-23 | 78312-23 | 78312-23 |
| SMR S19 | | | | |
| 1 | Anode (2) | 9001830 | 9001830 | 9001830 |
| SMR R68 (DVE, 3 Phase Wye) | | | | |
| LABEL | | | | |
| 17a | Fuse, Power Circuit | 9005893 | 9005893 | 9005893 |
| 18a | Fuse Block, Power Circuit | 9005007 | 9005007 | 9005007 |
| 21 | Wiring Diagram, Control | | | |
| | 3 Element Basic | 170006 | 170006 | 170006 |
| | 6 Element Basic | 78170 | 78170 | 78170 |
| | 6 Element w/Temp. Seq | 170006-1 | 170006-1 | 170006-1 |
| | 9 Element w/Temp. Seq. | 170006-2 | 170006-2 | 170006-2 |
| | 9 Element Basic | 170006-3 | 170006-3 | 170006-3 |
| 22 | Wiring Diagram, Power | | | |
| | 3 Element | 170005 | 170005 | 170005 |
| | 6 Element | 170005-1 | 170005-1 | 170005-1 |
| | 9 Element | 170005-2 | 170005-2 | 170005-2 |
| 32 | TERMINAL BLOCK | | | |
| | 6-18KW | 9005010 | 9005010 | 9005010 |
| | 18-54KW | 9005011 | 9005011 | 9005011 |
| 39 | Transformer | 9005716 | 9005716 | 9005716 |
| SMR S55 | | | | |
| 1 | Anode (2) | 9001830 | 9001830 | 9001830 |
| 34 | Terminal, Ring | 190961-2 | 190961-2 | 190961-2 |
| 44 | Wire Heavy Ground | 190866-23 | 190866-23 | 190866-23 |
| SMR N98 (DRE, 3 Phase Wye) | | | | |
| 15 | FUSE | 9005904 | 9005904 | 9005904 |
| 16 | FUSE BLOCK | 9005009 | 9005009 | 9005009 |
| LABEL | | | | |
| | Insert Sheet | 170051 | 170051 | 170051 |
| 22 | Wiring Diagram, Power | 170050 | 170050 | 170050 |
| 32 | TERMINAL BLOCK | | | |
| | 6-18KW | 9005010 | 9005010 | 9005010 |
| | 18-54KW | 9005011 | 9005011 | 9005011 |

* Not illustrated.

◆ When ordering wire, dash number indicates wire length in inches.

Note: Part numbers underlined are recommended stock items.

(Consider electrical characteristics in your area.)



REPLACEMENT INCOLOY ELEMENTS (Includes Gasket)

| (KW) ELEMENT WATTAGE | SINGLE PHASE OR THREE PHASE | | | | SINGLE PHASE 277V | MAX. "A" DIM. |
|----------------------------|-----------------------------|---------|---------|------------------|-------------------------|------------------|
| | 208V | 240V | 480V | MAX. "A" DIM. | | |
| 2 | 9004284 | 9004283 | 9004298 | 16-1/2" | 9004290 | 16-1/2" |
| 3 | 9000049 | 9000664 | 9004300 | 16-1/2" | 9004296 | 16-1/2" |
| 4 | 9004294 | 9004751 | 9004763 | 16-1/2" | 9004759 | 16-1/2" |
| 4.5 | 9004287 | 9000050 | 9004760 | 16-1/4" | 9004297 | 16-1/2" |
| 5 | 9004753 | 9004293 | 9004761 | 16-1/2" | 9004756 | 16-1/2" |
| 6 | 9004289 | 9004287 | 9004762 | 16-1/2" | 9004757 | 16-1/2" |

A.O. Smith
Water Heaters

125 Southeast Parkway, Franklin, TN 37068
Phone: 1-800-527-1953 Fax: 800-433-2515
www.hotwater.com e-mail: parts@hotwater.com