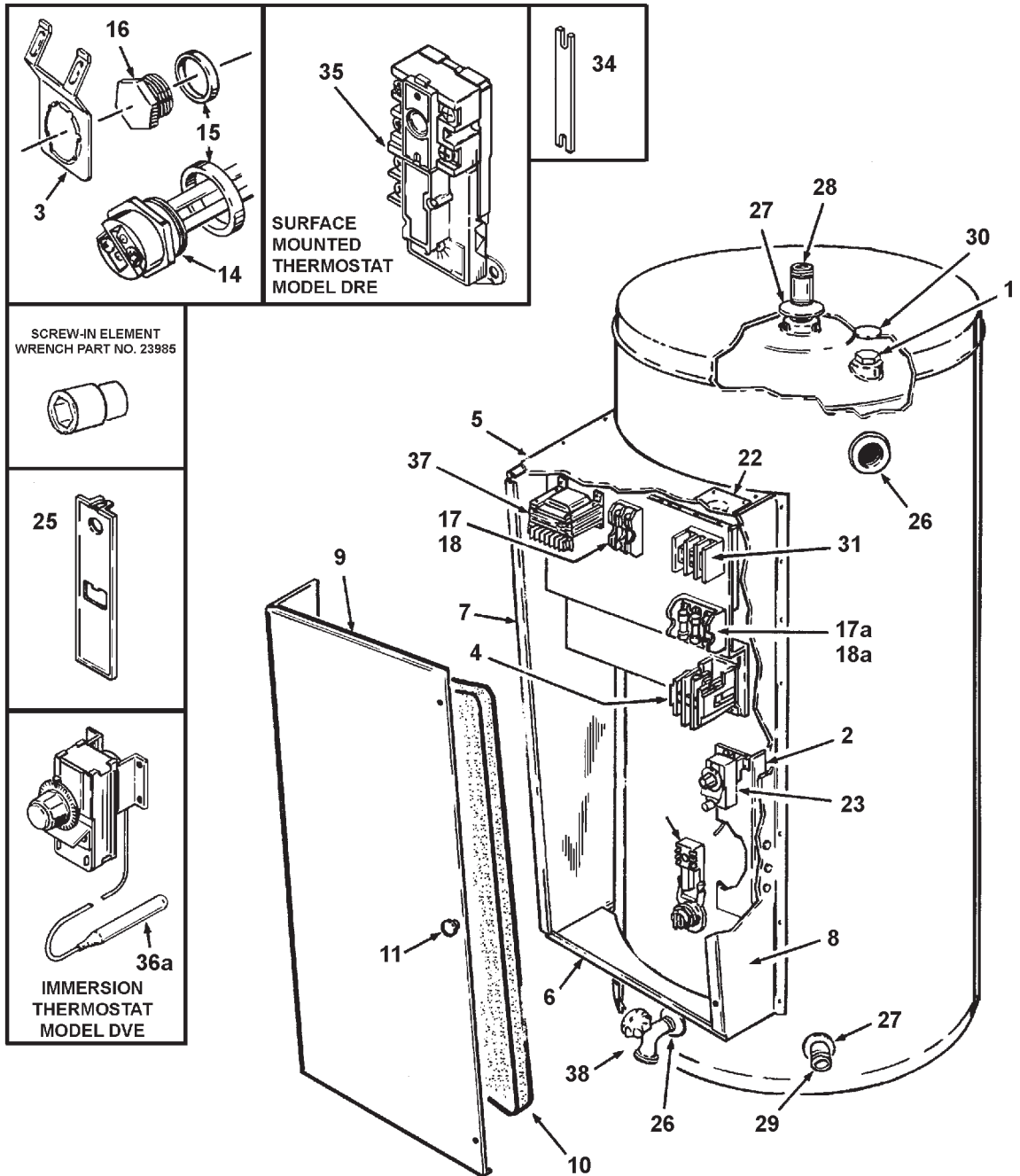


# A.O. Smith Water Heaters

# ELECTRIC

COMMERCIAL WATER HEATER PARTS LIST  
MODELS DRE/DVE-52, 80, 120  
SERIES: 920



**A.O. SMITH WATER HEATER PARTS FULFILLMENT**  
125 SOUTHEAST PARKWAY • FRANKLIN, TN 37068  
Phone: 1-800-527-1953 • Fax: 1-800-433-2515  
WEBSITE: [www.aosmithwaterheaters.com](http://www.aosmithwaterheaters.com) • Email: [parts@hotwater.com](mailto:parts@hotwater.com)

Item	Description	DRE/DVE-52	DRE/DVE-80	DRE/DVE-120
		920	920	920
1	Anode (2) BRACKET	9003893	9003893	9004097
2	Control (DVE)	9005373	9005373	9005373
3	Thermostat (DRE)	9003898	9003898	9003898
4	Contactora (DVE) CONTROLCOMPARTMENTASSEMBLY	9005013	9005013	9005013
5	Top (916 Series)	191821	191821	191821-1
6	Bottom (916 Series)	191822	191822	191822
7	Left (920 Series)	191818	191818	191818
8	Right (920 Series) DOOR	191818-1	191818-1	191818-1
9	Assembly (916 Series)	191823	191823	191823
10	Foam Cover	191674	191592	191592
11	Handle	89410	89410	89410
12*	Catch	28666	28666	28666
13*	Strike	28639	28639	28639
14	ELEMENT (To Maximum of Nine -54KW Total)	SEE CHART		
15	Element Gasket	9000308	9000308	9000308
16	Element Hex Plug	9005897	9005897	9005897
17	FUSE -Control Circuit, DVE	9005720	9005720	9005720
17a	FUSE, Power Circuit Single & 3 Delta 208V/240V/480V, Single 277V	9005904	9005904	9005904
18	FUSE BLOCK, Control Circuit (2 pole)	9005721	9005721	9005721
18a	FUSE BLOCK, Power Circuit Single & 3 Delta 208V/240V/480V, Single 277V (3 pole)	9005009	9005009	9005009
	LABEL			
19*	Manual, Instruction	196674	196674	196674
20*	Temperature	182734	182734	182734
21*	Warning, Scald	181138	181138	181138
22	Knockout Plate	099325-1	099325-1	099325-1
23	Limit Control (DVE)	9004961	9004961	9004961
24*	LUGGROUND 208V 45 & 54KW, 240V 54KW All Others 39698 39698 39698	39698-1	39698-1	39698-1
25	PersonnelProtector(DRE) PIPE	9003899	9003899	9003899
26	Collar	9004610	9004610	9004610
27	Collar	99677-13	99677-13	99677-13
28	Nipple	9004228	9004228	9004228
29	Nipple	9005922	9005922	9005922
30	Plug, Cap	42306	42306	42306
31	TERMINALBLOCK 6KW-18K+B77W (All) 18KW-36KW (All) 36KW-54KW (Single & 3 Delta, 208V/240V, Single 277V) 36KW-54KW (Single & 3 Delta, 480V)	9005010 9005011 9005099 9005011	9005010 9005011 9005099 9005011	9005010 9005011 9005099 9005011
32*	Terminal Disconnect	99593-2	99593-2	99593-2
34	Terminal Strap (DVE)	78288	78288	78288
35	Thermostat w/High Limit (DRE)	9004533	9004533	9004533
36	Thermostat, Immersion (DVE)	9005078	9005078	9005078
36a	Thermostat Well Only	9005714	9005714	9005714
37	Transformer (DVE)	9005012	9005012	9005012
38	Valve, Drain	9003907	9003907	9003907
39*	VALVE, RELIEF 3 Element 6 Element	9005715 9005923	9005715 9005923	9005715 9005923
40*	Valve, Relief, Extension Nipple	9005717	9005717	9005717
41*♦	WIRE Control Circuit 14 AWG White Power Circuit 12 AWG Black	35841 30623-300	35841 30623-300	35841 30623-300

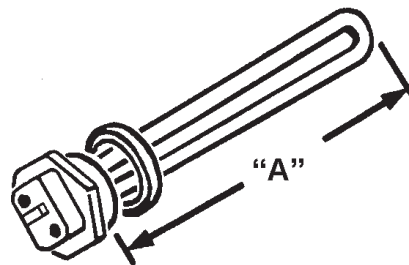
Item	Description	DRE/DVE-52 920	DRE/DVE-80 920	DRE/DVE-120 920
	Blue .....	30622-150 .....	30622-150 .....	30622-150
	Red .....	30621-300 .....	30621-300 .....	30621-300
	Yellow .....	30624-150 .....	30624-150 .....	30624-150
42*	Wire, Ground .....	78312-23 .....	78312-23 .....	78312-23
<b>SMR S19</b>				
1	Anode (2) .....	9001830 .....	9001830 .....	9001830
<b>SMR R68 (DVE, 3 Phase Wye)</b>				
LABEL				
17a	Fuse, Power Circuit .....	9005893 .....	9005893 .....	9005893
18a	Fuse Block, Power Circuit .....	9005007 .....	9005007 .....	9005007
21	Wiring Diagram, Control			
	3 Element Basic .....	170006 .....	170006 .....	170006
	6 Element Basic .....	78170 .....	78170 .....	78170
	6 Element w/Temp. Seq .....	170006-1 .....	170006-1 .....	170006-1
	9 Element w/Temp. Seq. ....	170006-2 .....	170006-2 .....	170006-2
	9 Element Basic .....	170006-3 .....	170006-3 .....	170006-3
22	Wiring Diagram, Power			
	3 Element .....	170005 .....	170005 .....	170005
	6 Element .....	170005-1 .....	170005-1 .....	170005-1
	9 Element .....	170005-2 .....	170005-2 .....	170005-2
32	TERMINAL BLOCK			
	6-18KW .....	9005010 .....	9005010 .....	9005010
	18-54KW .....	9005011 .....	9005011 .....	9005011
39	Transformer .....	9005716 .....	9005716 .....	9005716
<b>SMR S55</b>				
1	Anode (2) .....	9001830 .....	9001830 .....	9001830
34	Terminal, Ring .....	190961-2 .....	190961-2 .....	190961-2
44	Wire Heavy Ground .....	190866-23 .....	190866-23 .....	190866-23
<b>SMR N98 (DRE, 3 Phase Wye)</b>				
15	FUSE .....	9005904 .....	9005904 .....	9005904
16	FUSE BLOCK .....	9005009 .....	9005009 .....	9005009
LABEL				
	Insert Sheet .....	170051 .....	170051 .....	170051
22	Wiring Diagram, Power .....	170050 .....	170050 .....	170050
32	TERMINAL BLOCK			
	6-18KW .....	9005010 .....	9005010 .....	9005010
	18-54KW .....	9005011 .....	9005011 .....	9005011

\* Not illustrated.

◆ When ordering wire, dash number indicates wire length in inches.

Note: Part numbers underlined are recommended stock items.

(Consider electrical characteristics in your area.)



**REPLACEMENT INCOLOY ELEMENTS (Includes Gasket)**

(KW) ELEMENT WATTAGE	SINGLE PHASE OR THREE PHASE				SINGLE PHASE 277V	MAX. "A" DIM.
	208V	240V	480V	MAX. "A" DIM.		
2	9004284	9004283	9004298	16-1/2"	9004290	16-1/2"
3	9000049	9000664	9004300	16-1/2"	9004296	16-1/2"
4	9004294	9004751	9004763	16-1/2"	9004759	16-1/2"
4.5	9004287	9000050	9004760	16-1/4"	9004297	16-1/2"
5	9004753	9004293	9004761	16-1/2"	9004756	16-1/2"
6	9004289	9004287	9004762	16-1/2"	9004757	16-1/2"

**A.O. Smith**  
**Water Heaters**

125 Southeast Parkway, Franklin, TN 37068  
Phone: 1-800-527-1953 Fax: 800-433-2515  
[www.hotwater.com](http://www.hotwater.com) e-mail: [parts@hotwater.com](mailto:parts@hotwater.com)