

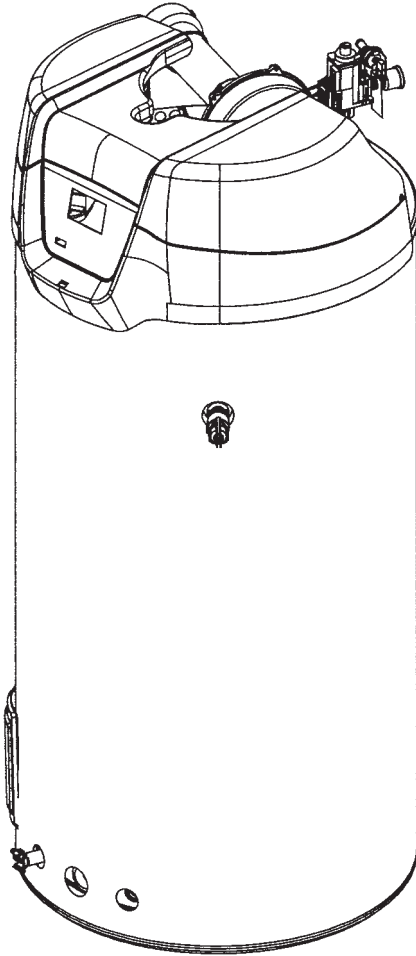
Model BTH-300A 100/101

Model BTH-400A 101/104

Model BTH-500A 101/104

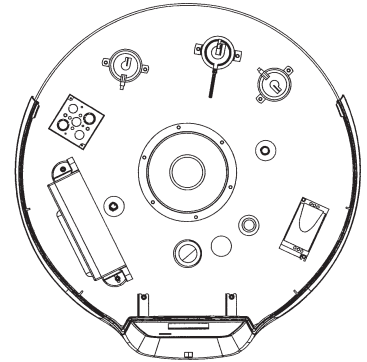
CYCLONE XHE MODEL BTH-300A/400A/500A

See Page 2



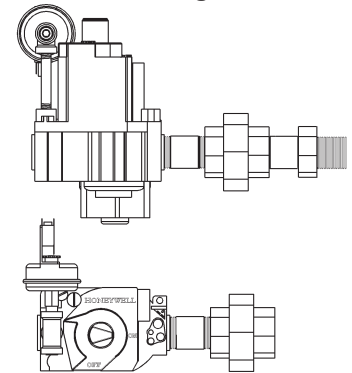
OPERATING CONTROL

See Page 3- 4



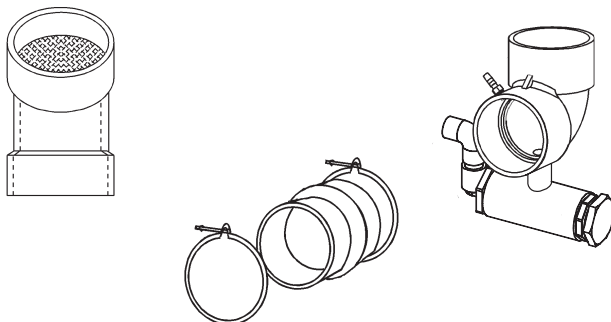
GAS VALVE

See Page 5



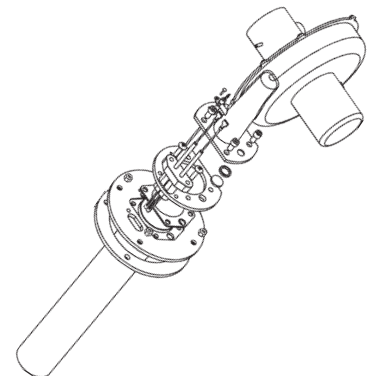
EXHAUST ELBOW, VENT KIT & BLOWER INTAKE PARTS

See Page 6



BLOWER/BURNER ASSEMBLY

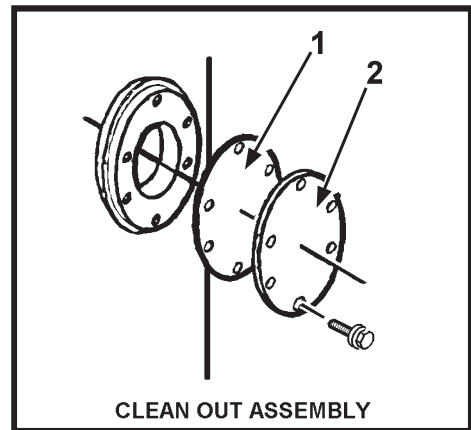
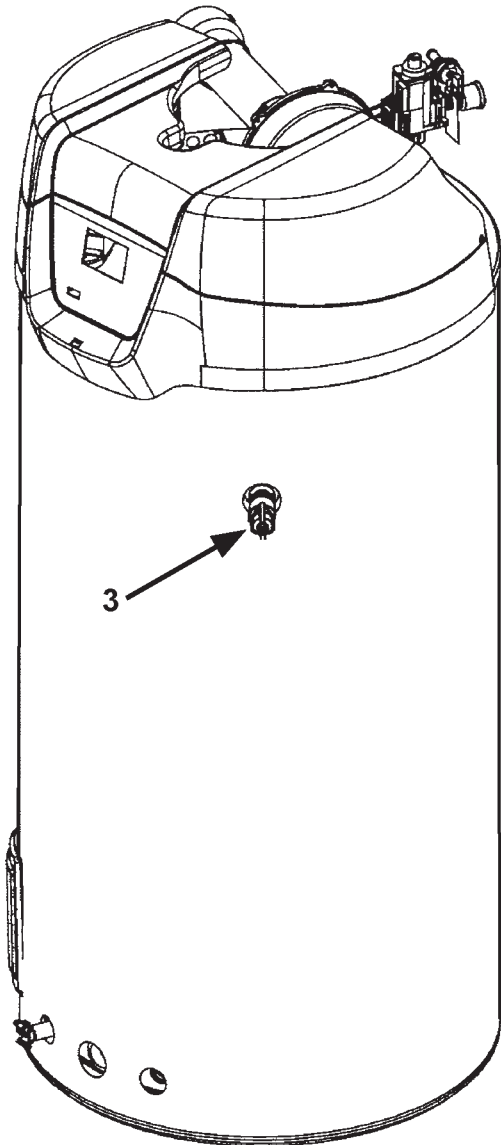
See Page 5



CYCLONE XHE BTH 300A/400A/500A - PARTS LIST

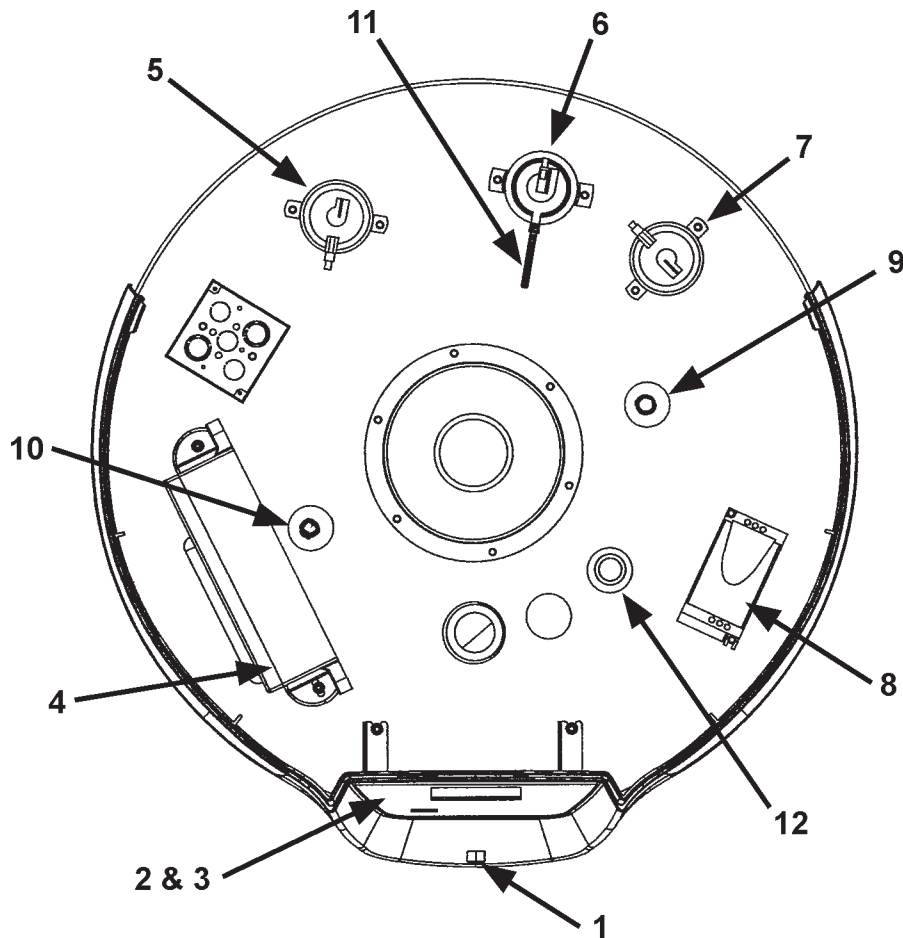
Item	Description	BTH 300A 100/101	BTH 400A 101/104	BTH 500A 101/104
1	Cleanout Gasket	9004099015	9004099015	9004099015
2	Cover, Cleanout	9004098005	9004098005	9004098005
3	Temperature and Pressure Relief Valve	9005903205	9005903205	9005903205

Standard hardware items may be purchased locally.



CYCLONE XHE BTH 300A/400A - OPERATING CONTROLS & WIRING (See Next Page)

Item	Description	BTH 300A 100/101	BTH 400A 101 (LP)	BTH 400A 104 (NAT)	BTH 500A 101 (LP)	BTH 500A 104 (NAT)
1Switch, On/Off	9005929215	...9005929215	...9005929215	...9005929215	...9005929215
2Display Overlay	9006239005	...9006239005	...9006239005	...9006239005	...9006239005
3Display Board	9006240005	...9006240005	...9006240005	...9006240005	...9006240005
4Electronic Controller - Natural Gas	9006231005	9008219005	9007442005
4Electronic Controller - LP	9006232005	...9006235005	9006237005
5Switch, blocked inlet.....	9006083215	...9006006215	...9006243015	...9006243015	...9006243015
6Switch, Blower Prover	9004586215	...9006002215	...9004586215	...9006244015	...9004586215
7Switch, blocked outlet	9006087215	...9006088215	...9006007215	...9006007215	...9006007215
8Variable Frequency Drive Assembly	9006245005	...9006245005	...9006245005	...9006245005
9Powered anode - short.....	9006247005	...9006247005	...9006247005	...9006247005	...9006247005
10Powered anode - long	9006246005	...9006246005	...9006246005	...9006246005	...9006246005
11Tubing - 1/4" silicone.....	9006249015	...9006249015	...9006249015	...9006249015	...9006249015
12Probe, upper	9004238215	...9004238215	...9004238215	...9004238215	...9004238215
13Probe, lower (not shown)	9006242015	...9006242015	...9006242015	...9006242015	...9006242015

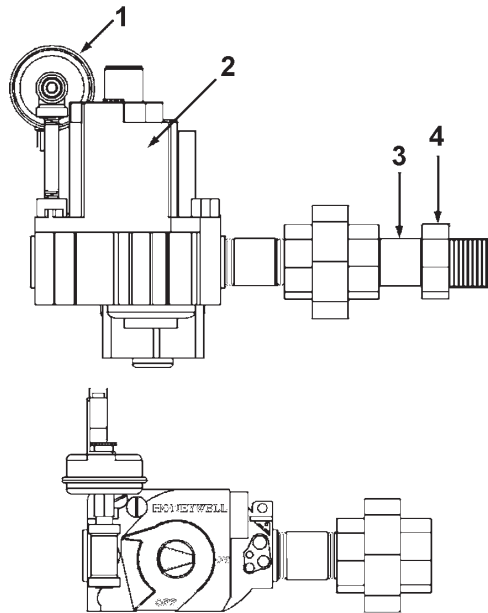


GAS VALVE

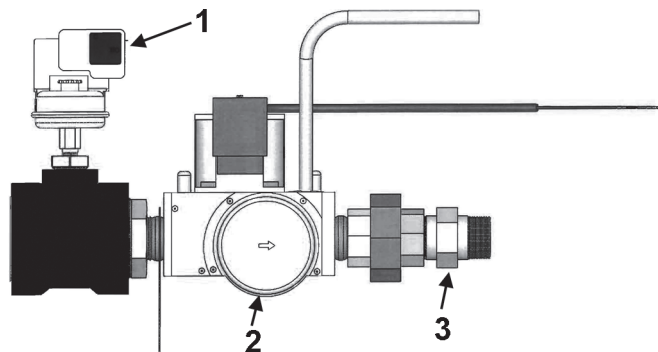
Item	Description	BTH 300A 100/101	BTH 400A 101	BTH 400A 104	BTH 500A 101	BTH 500A 104
1	Switch, Low Gas Pressure	9006084215	-----	9006084215	-----	9006084215
	LP Gas	9004474215	9004474215	-----	9004474215	-----
2	Valve, Natural Gas	9006085205	-----	9007295005	-----	9007295005
	Valve, LP Gas	9006086205	9006086205	-----	9006086205	-----
3	Orifice, Natural Gas	9006090215	-----	N/A	-----	N/A
	Orifice, LP Gas	9006092215	9006093215	-----	9006251015	-----
4	Orifice holder	9006094215	9006094215	9006094215	9006094215	9006094215

Standard hardware items may be purchased locally.

FOR BTH-300 100/101, BTH-400 101, BTH-500 101



FOR BTH-400A 104, BTH-500A 104

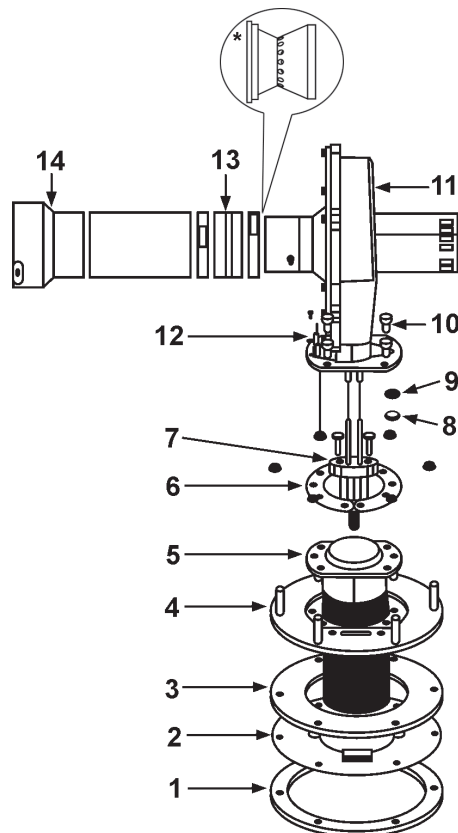


BLOWER/BURNER ASSEMBLY

Item	Description	BTH 300A 100/101	BTH 400A 101/104	BTH 500A 101/104
1	Gasket 8"	9006095205	9006095205	9006095205
2	Shield - Heat	9006096205	9006096205	9006096205
3	Gasket - Insulation	9006097205	9006097205	9006097205
4	Flange - Burner	9006098205	9006098205	9006098205
5	Burner Assembly	9006099205	9006099205	9006099205
6	Gasket - Burner	9006100205	9006100205	9006100205
7	Ignitor	9006101205	9006101205	9006101205
8	Window - Observation	9006102215	9006102215	9006102215
9	Gasket - Viewport	9006103215	9006103215	9006103215
10	Screw - Socket Head Cap	9006104215	9006104215	9006104215
11	Blower/Motor	9006105205	9006114205	9006114205
12	Sensor - Flame	9006106205	9006106205	9006106205
13	Coupling - Power Vent	9006107205	9006107205	9006107205
14	Blower Intake Reducer Assembly	9006108205	9006108205	9006108205

Standard hardware items may be purchased locally.

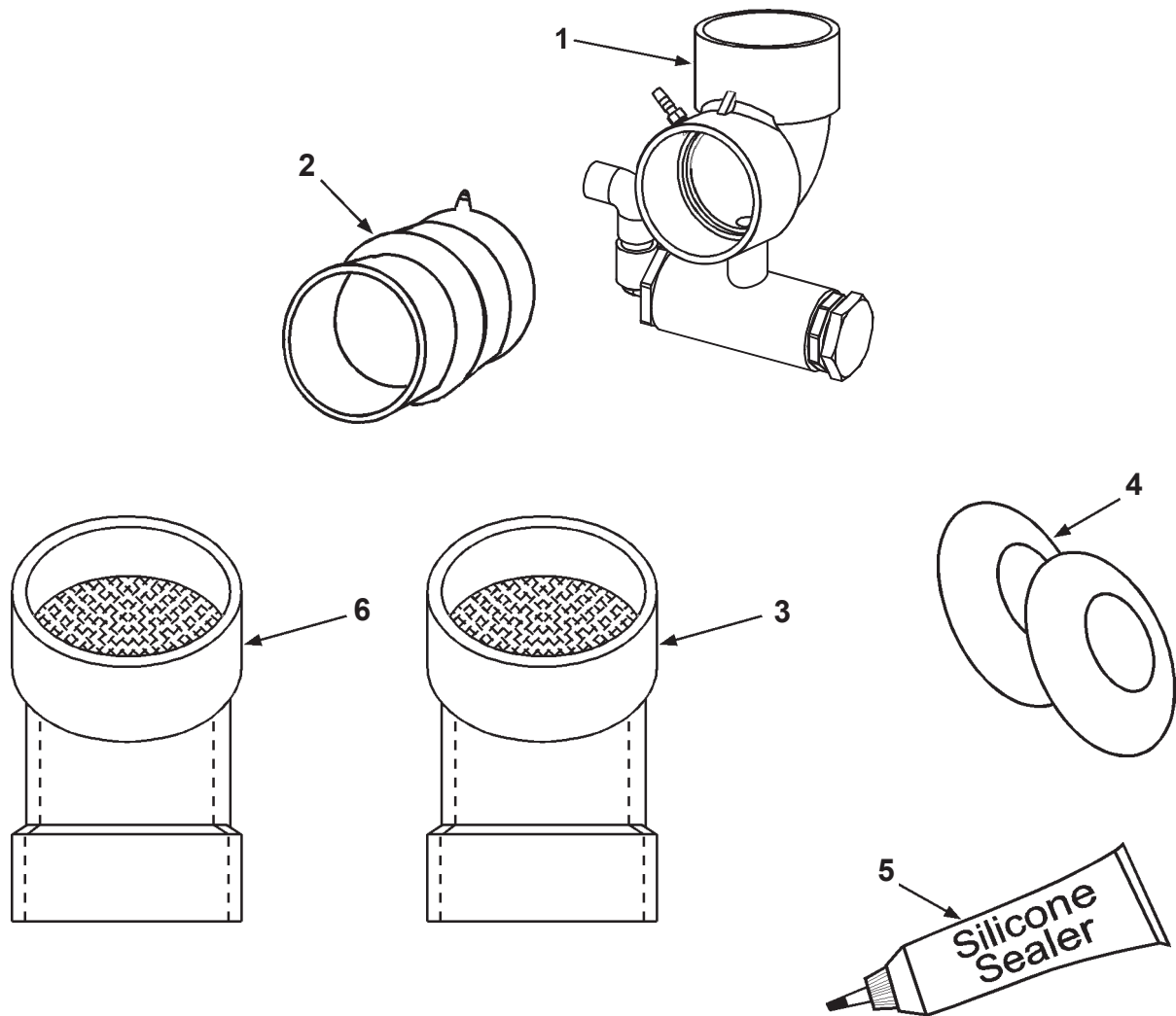
*: venturi for BTH-400 104 and BTH-500 104 Series only.



EXHAUST ELBOW, VENT KIT & BLOWER INTAKE PARTS

Item	Description	BTH 300A 100/101	BTH 400A 101/104	BTH 500A 101/104
EXHAUST ELBOW AND FITTINGS				
1.....	Exhaust Elbow Assembly	9007246005.....	9007246005.....	9007246005.....
*1	Exhaust Elbow Assembly (Canada)	9006333005.....	9006333005.....	9006333005.....
2.....	Connector, Exhaust	9006111205	9006111205	9006111205
VENT KIT PARTS				
3.....	Intake/Vent Terminal	9006112205.....	9006112205.....	9006112205.....
4.....	Wall Plates (2 required)	9006113205.....	9006113205.....	9006113205.....
5.....	Silicone Sealer, 2 oz. tube	9004365105.....	9004365105.....	9004365105.....
6.....	Exhaust Vent Terminal (US)	9006112205.....	9006112205.....	9006112205.....
6.....	Exhaust Vent Terminal (Canada).....	9006331005.....	9006331005.....	9006331005.....

*EFFECTIVE JULY 1, 2008



NOTES:



A.O. Smith Water Heater Parts Fulfillment
125 Southeast Parkway
Franklin, TN 37068
1-800-433-2545
www.hotwater.com