

DESCRIPTION

- Metal construction with a chrome plated, Platinum, LifeShine® Polished Brass, Satine™, Classic Gold, or Nickel, finish. Ceramic construction with Pebbled Cream finish.

OPERATION

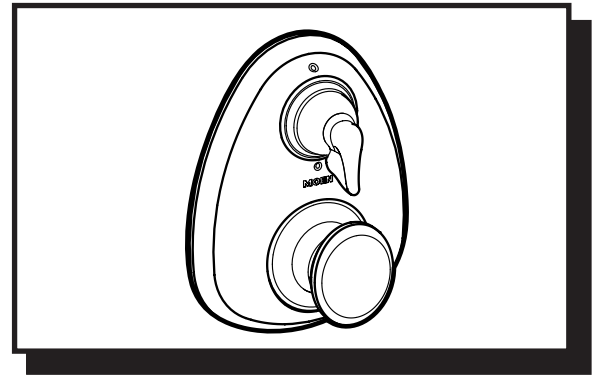
- Pull-on/push-off operation of temperature and volume, rotational control of transfer valve
- Temperature operates through an 180° arc of handle travel (full cold to full hot)
- Adjustable temperature limit stop to control maximum hot water temperature
- 180° rotation of transfer valve handle with stops
- Pressure balancing mechanism maintains selected discharge temperature to $\pm 2^\circ$

STANDARDS

- Third party certified by CSA to meet CSA B-125, ASME A112.18.1M

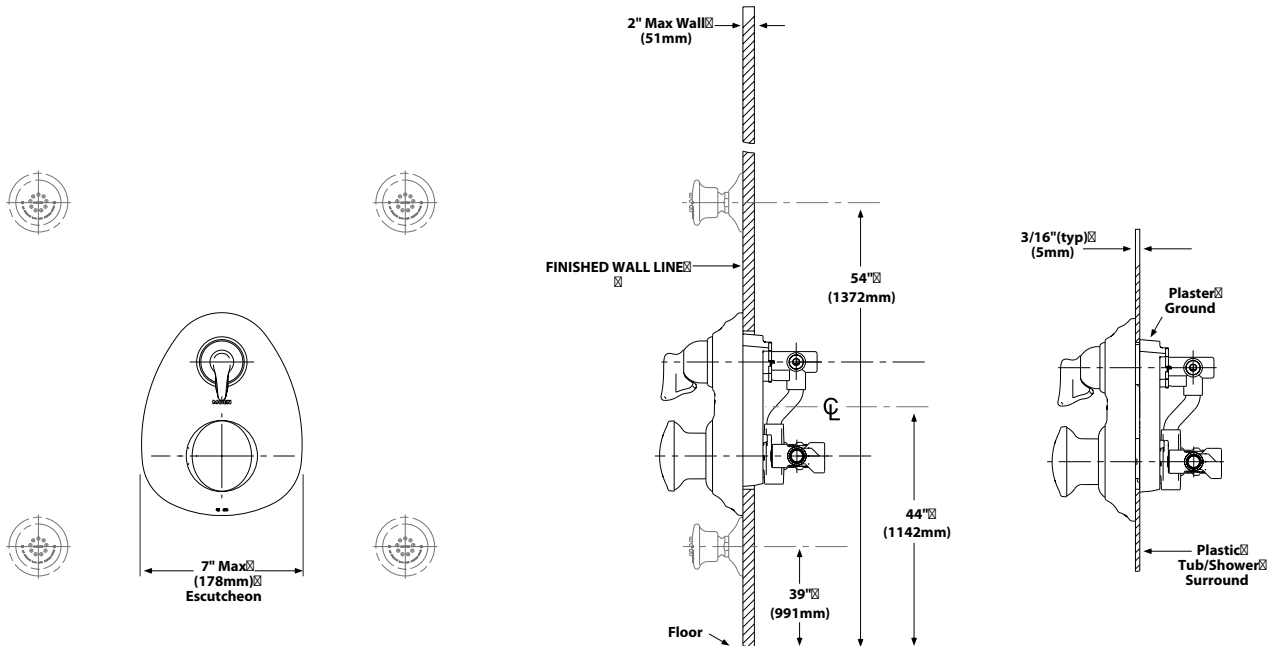
WARRANTY

- Lifetime limited warranty against leaks, drips and finish defects to the original consumer purchaser
- 5 year warranty if used in commercial installations



ASCERI™ MOENTROL®
with Built-In 3 Function Transfer Valve Trim

**Models: T4120, T4120CP,
T4120CPM, T4120STV,
T4120NLBL, T4120CGPC**



THICK WALL APPLICATION

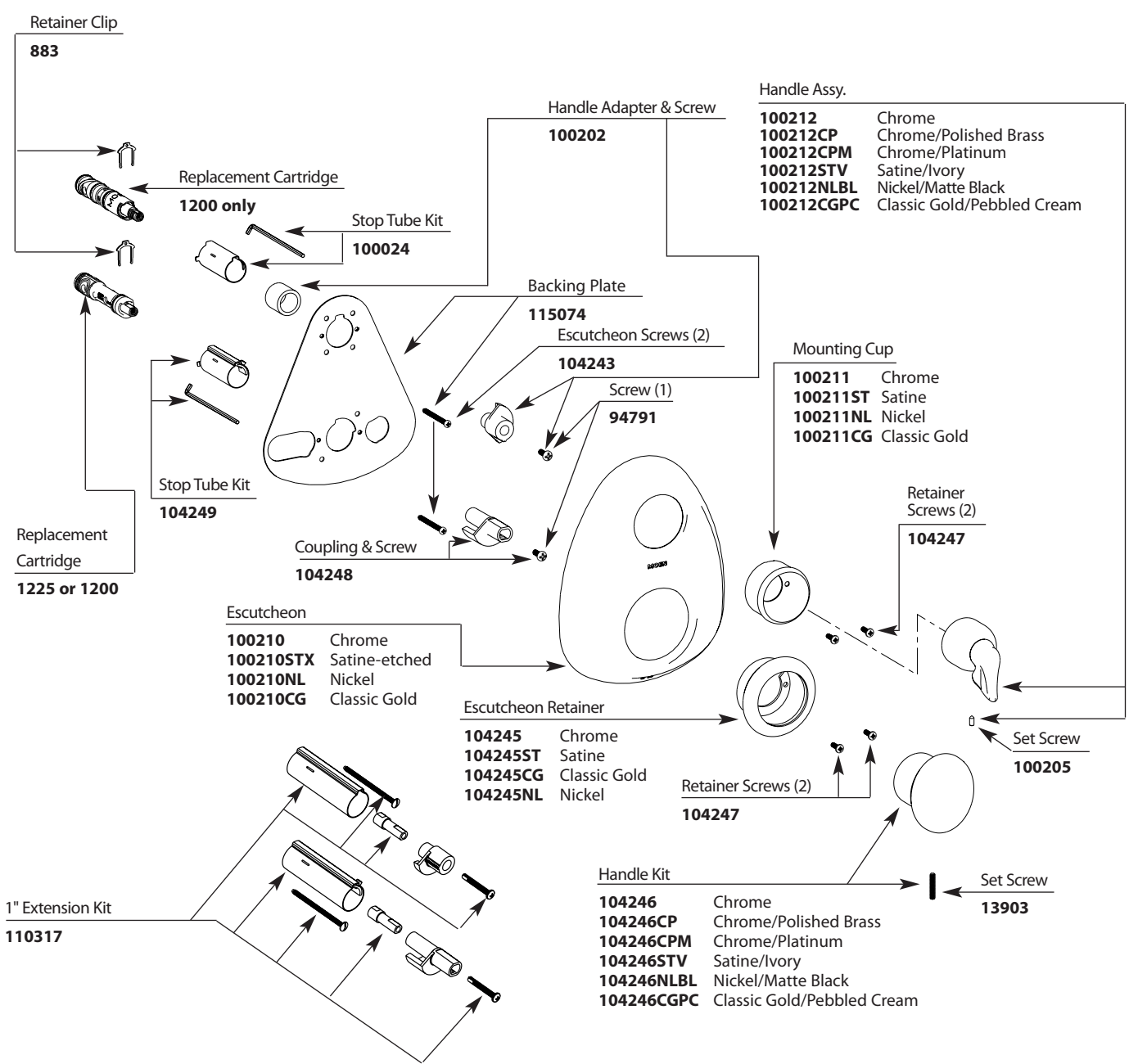
THIN WALL APPLICATION

CRITICAL DIMENSIONS

(DO NOT SCALE)

Order by Part Name and
Part Number (Bold Face Type)
(Etching on Satine Escutcheon)

ASCERI™ MOENTROL® with Built-In 3 Function Transfer Valve Trim		
MODEL	HANDLE TYPE	FINISH
T4120	Lever/Knob	Chrome
T4120CP	Lever/Knob	Chrome/ Pol.Brass
T4120CPM	Lever/Knob	Chrome/ Platinum
T4120STV	Lever/Knob	Satine™/Ivory
T4120NLBL	Lever/Knob	Nickel/ Matte Black
T4120CGPC	Lever/Knob	Classic Gold/ Pebbled Cream



DESCRIPTION

- Metallic spray face and shell
- Brass swivel ball assembly
- Available in chrome plated, LifeShine® Polished Brass, Satine™, Black Opal, Classic Gold™, Nickel, Platinum or Glacier finish

OPERATION

- Single spray function

FLOW

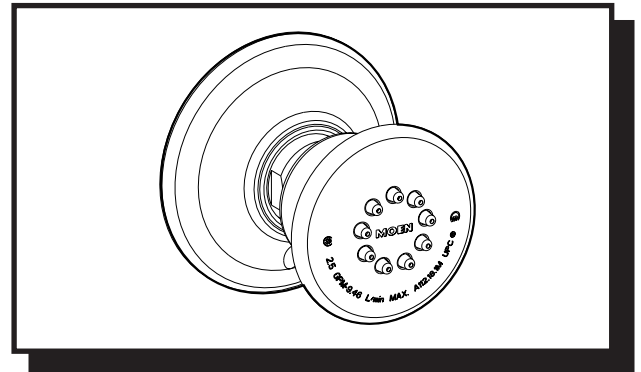
- Designed to deliver 2.5 gpm max (9.5 L/min) at 80 psi

STANDARDS

- Designed and manufactured to comply with the requirements of: CSA B125 and ASME A112.18.1M and all requirements referenced therein

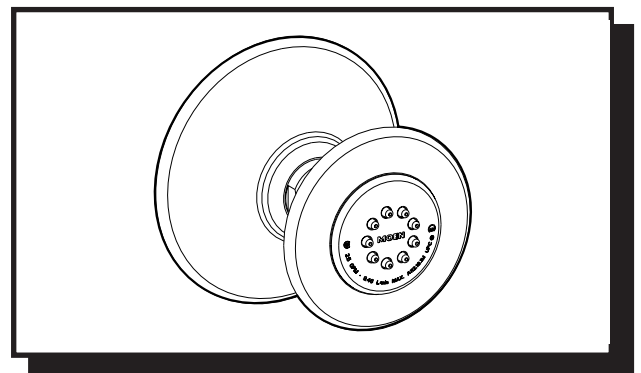
WARRANTY

- Warranted for one year against material or manufacturing defects



Small Single Function Body Spray

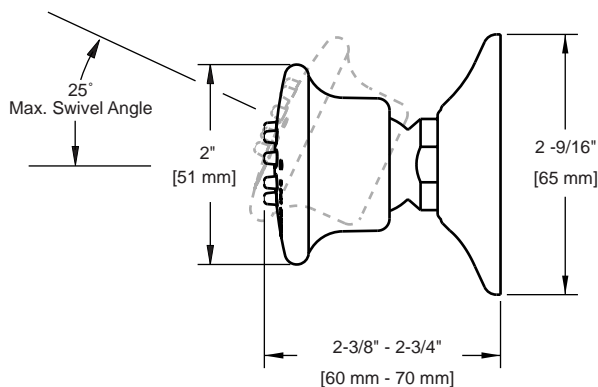
Models: A499, A499P, A499W, A499PM, A499ST, A499BP, A499CG, A499NL



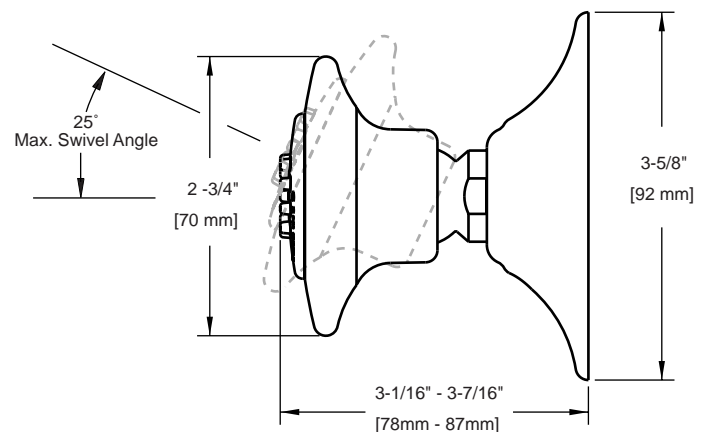
Large Single Function Body Spray

Models: A500, A500P, A500W, A500PM, A500ST, A500BP, A500CG, A500NL

A499 Series



A500 Series



CRITICAL DIMENSIONS

(DO NOT SCALE)

DESCRIPTION

- Metal construction with Chrome plating or decorative antique brass, chrome/LifeShine® polished brass, LifeShine® polished brass, black opal, classic gold nickel, satine, platinum, platinum/polished brass, platinum/chrome or glacier finishes
- Fixed mount shower head
- Nonmetallic spray face
- Brass shell and ball assembly

OPERATION

- Adjustable spray - rotate side lever to select coarse to fine spray

FLOW

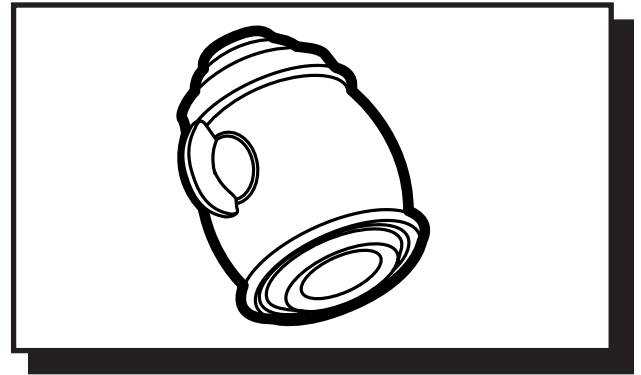
- Designed to deliver 2.5 gpm (9.5 L/min) max at 80 psi

STANDARDS

- Designed and manufactured to comply with the requirements of: CSA B125 and ASME A112.18.1M and all requirements referenced therein

WARRANTY

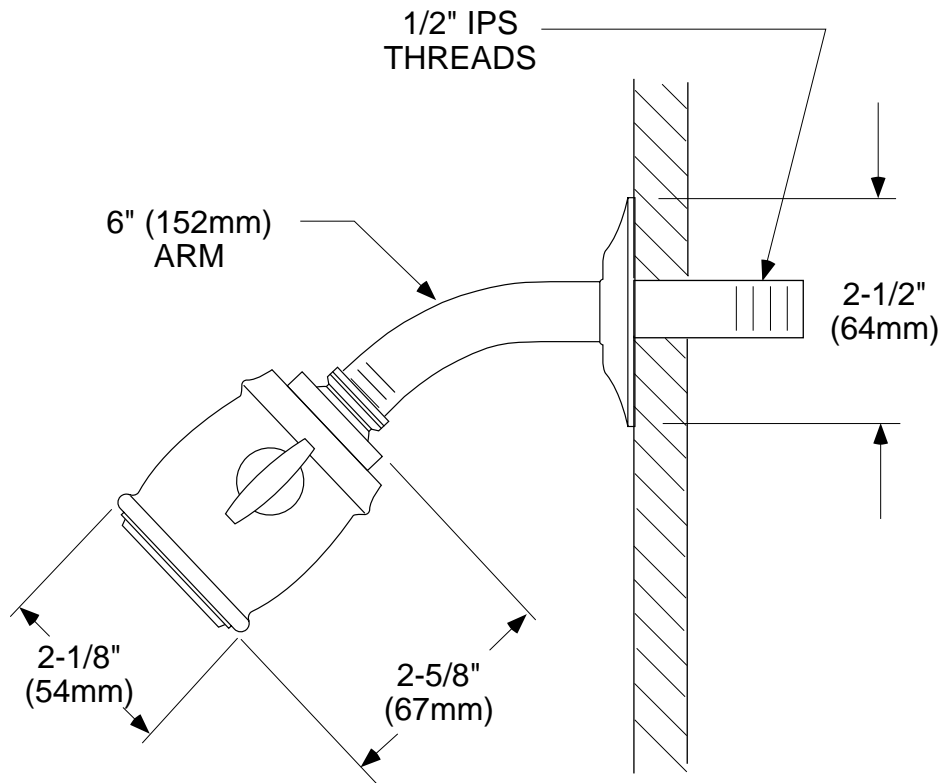
- Lifetime limited warranty against leaks, drips and finish defects to the original consumer purchaser
- 5 year warranty if used in commercial installations



MOENFLO® 40
Head only

**Models: 3940, 3940A, 3940BP, 3940CP,
3940CG, 3940P, 3940PM, 3940PMC,
3940PMP, 3940NL, *3940S, 3940ST, 3940W**

*** Discontinued 5/31/02**

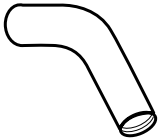

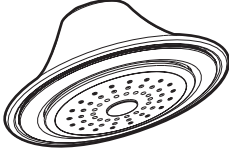


CRITICAL DIMENSIONS

(DO NOT SCALE)

Available Finishes

Part Finishes Chart

<p>Shower Arm</p> 	<p>10154 Chrome 10154P Polished Brass 10154PM Platinum 10154BP Black Opal 10154CG Classic Gold 10154ST Satine 10154W Glacier 10154NL Nickel</p>
<p>Accent Kit</p> 	<p>AT2199 Chrome AT2199P Polished Brass AT2199PM Platinum AT2199BP Black Opal AT2199CG Classic Gold AT2199ST Satine AT2199W Glacier AT2199NL Nickel</p>
<p>Showerhead</p> 	<p>104239 Chrome 104239CP Chrome/Polished Brass 104239CPM Chrome/Platinum 104239NLBL Nickel/Matte Black 104239CGPC Classic Gold/Pebbled Cream 104239STV Satine/Ivory</p>