

DESCRIPTION

- Metal construction with a chrome plated, Platinum, LifeShine® Polished Brass, LifeShine® Satine or Glacier finish

OPERATION

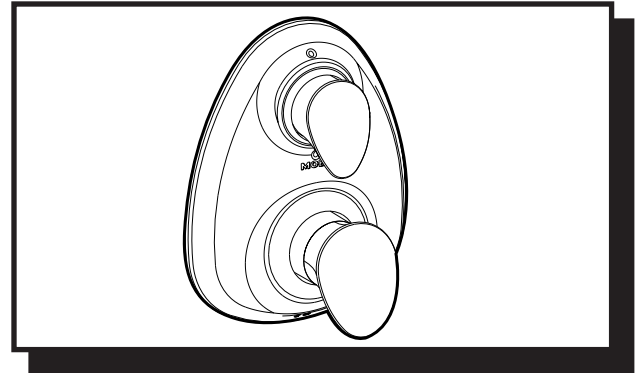
- Pull-on/push-off operation of temperature and volume, rotational control of transfer valve
- Temperature operates through an 180° arc of handle travel (full cold to full hot)
- Adjustable temperature limit stop to control maximum hot water temperature
- 180° rotation of transfer valve handle with stops
- Pressure balancing mechanism maintains selected discharge temperature to $\pm 2^\circ$

STANDARDS

- Third party certified by CSA to meet CSA B-125, ASME A112.18.1M

WARRANTY

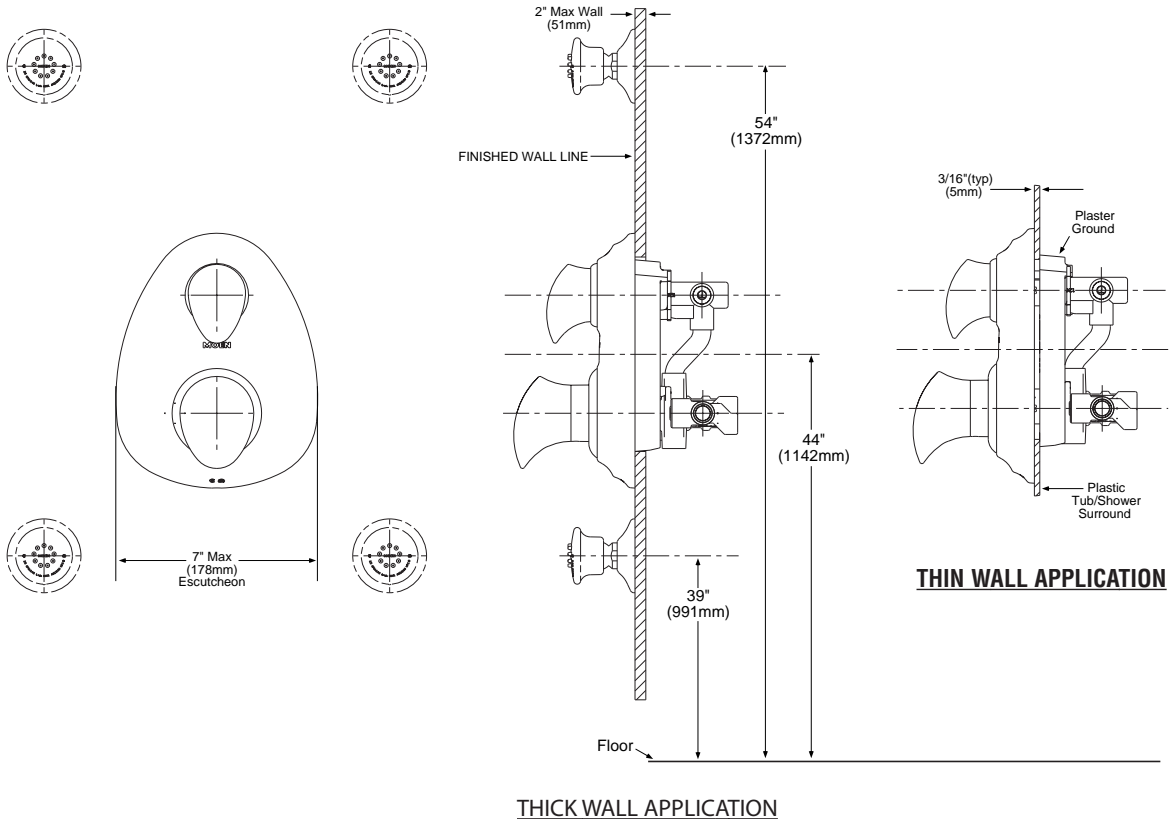
- Lifetime limited warranty against leaks, drips and finish defects to the original consumer purchaser
- 5 year warranty if used in commercial installations



Villeta™ MOENTROL®
with Built-In 3 Function Transfer Valve Trim

**Models: T4100, T4100P,
T4100PM, T4100W, T4100ST**

**NOTE: See reverse side for
illustrated parts**



CRITICAL DIMENSIONS

(DO NOT SCALE)

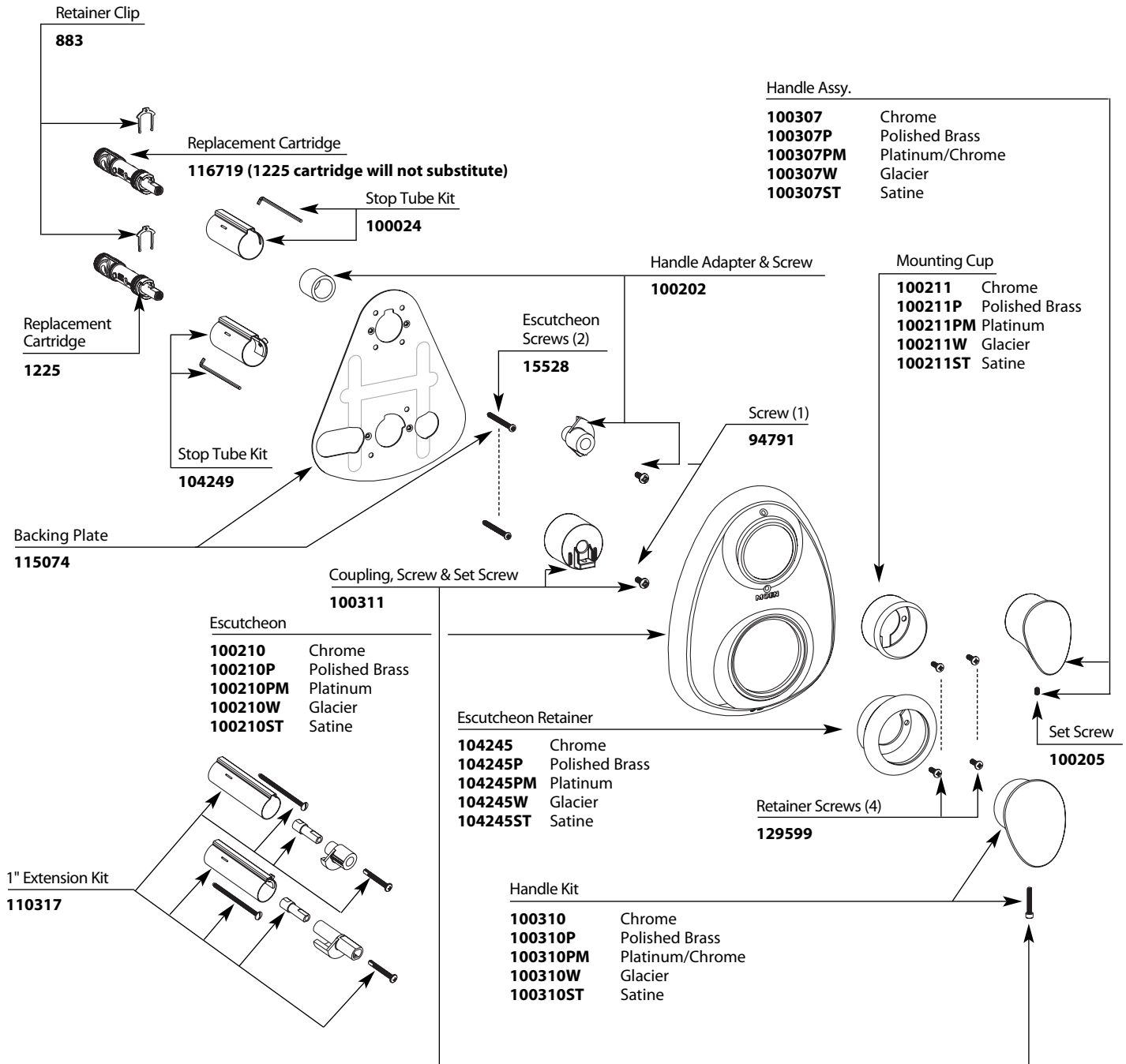


Buy it for looks. Buy it for life.®

■ Order by Part Number

Illustrated Parts

VILLETA™ MOENTROL® with Built-In 3 Function Transfer Valve Trim		
MODEL	TYPE	FINISH
T4100	Knob	Chrome
T4100P	Knob	Polished Brass
T4100PM	Knob	Chrome
T4100W	Knob	Glacier
T4100ST	Knob	Satine



DESCRIPTION

- Metallic spray face and shell
- Brass swivel ball assembly
- Available in chrome plated, LifeShine® Polished Brass, Satine™, Black Opal, Classic Gold™, Nickel, Platinum or Glacier finish

OPERATION

- Single spray function

FLOW

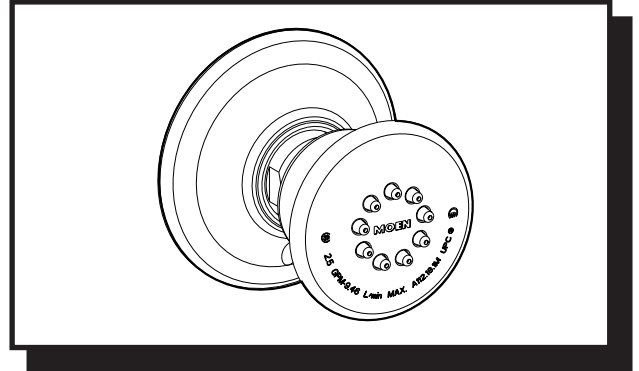
- Designed to deliver 2.5 gpm max (9.5 L/min) at 80 psi

STANDARDS

- Designed and manufactured to comply with the requirements of: CSA B125 and ASME A112.18.1M and all requirements referenced therein

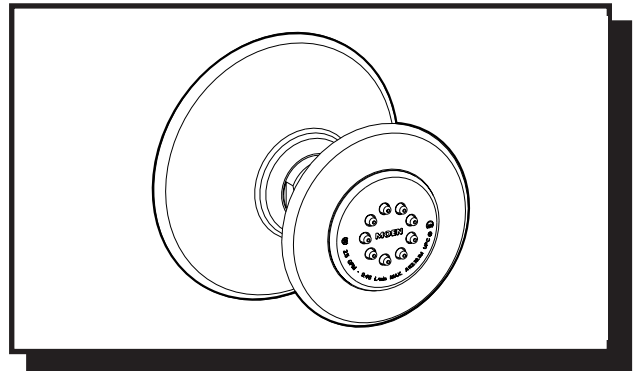
WARRANTY

- Warranted for one year against material or manufacturing defects



Small Single Function Body Spray

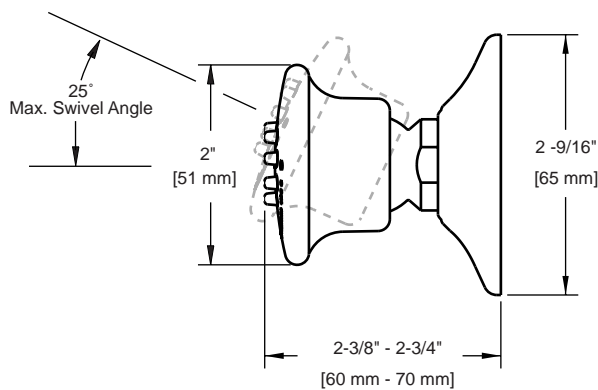
Models: A499, A499P, A499W, A499PM, A499ST, A499BP, A499CG, A499NL



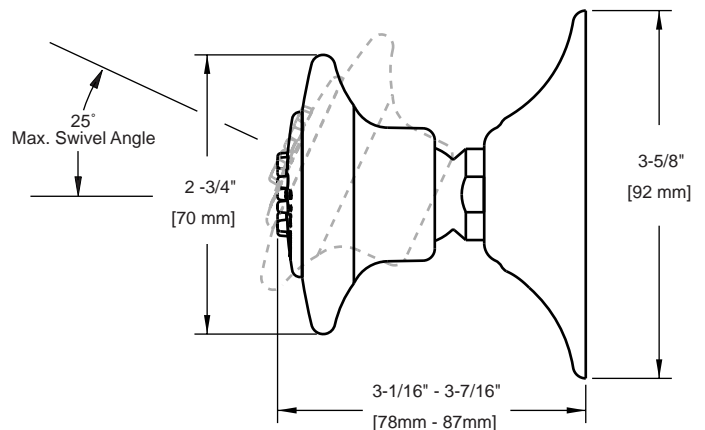
Large Single Function Body Spray

Models: A500, A500P, A500W, A500PM, A500ST, A500BP, A500CG, A500NL

A499 Series



A500 Series



CRITICAL DIMENSIONS

(DO NOT SCALE)

DESCRIPTION

- Fixed mount showerhead, arm and flange
- Nonmetallic spray face
- Nonmetallic shell

OPERATION

- Single spray

FLOW

- Designed to deliver 2.5 gpm (9.5 L/min) at 60 psi

STANDARDS

- Third party certified by CSA to meet CSA B125 and ASME A112.18.1M and all applicable requirements referenced therein

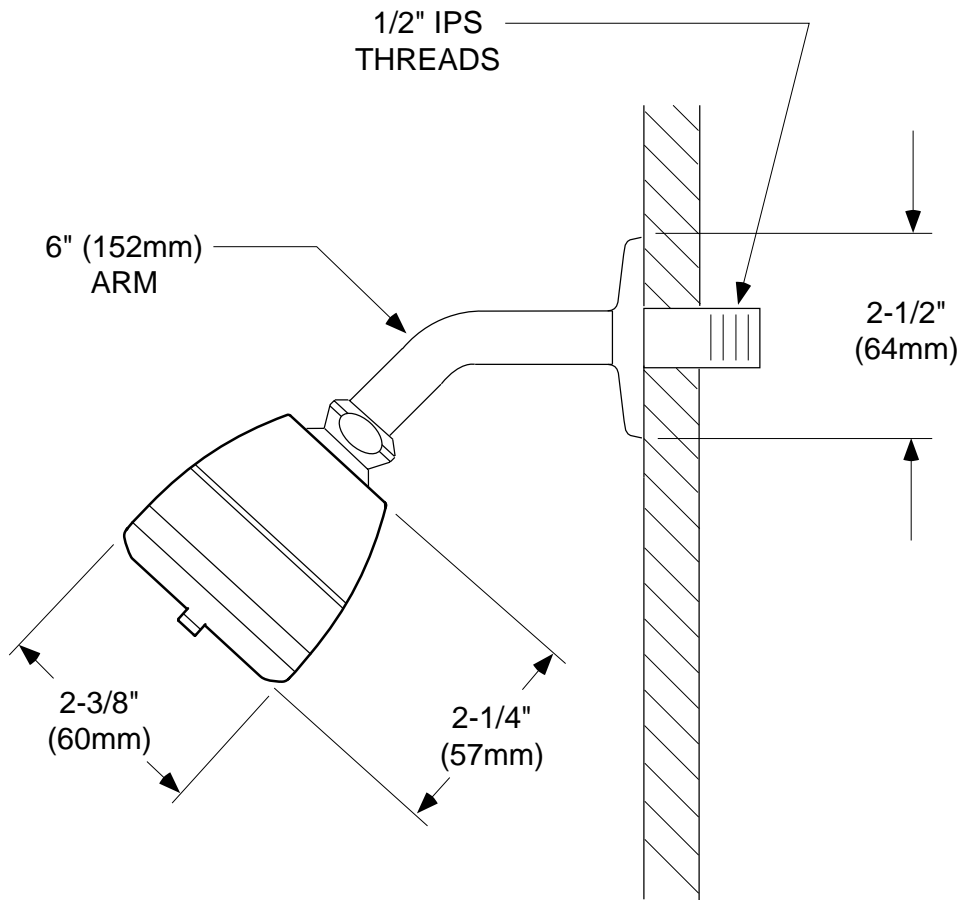
WARRANTY

- Lifetime limited warranty against leaks, drips and finish defects to the original consumer purchaser
- 5 year warranty if used in commercial installations



EASY CLEAN® 400
Head, Arm and Flange

- Models: 3912 (Chrome)
 3912CP (Chrome/Pol. Brass)
 3912P (Polished Brass)
 3912W (Glacier)
 3912ST (Satine/Pol. Brass)



CRITICAL DIMENSIONS

(DO NOT SCALE)