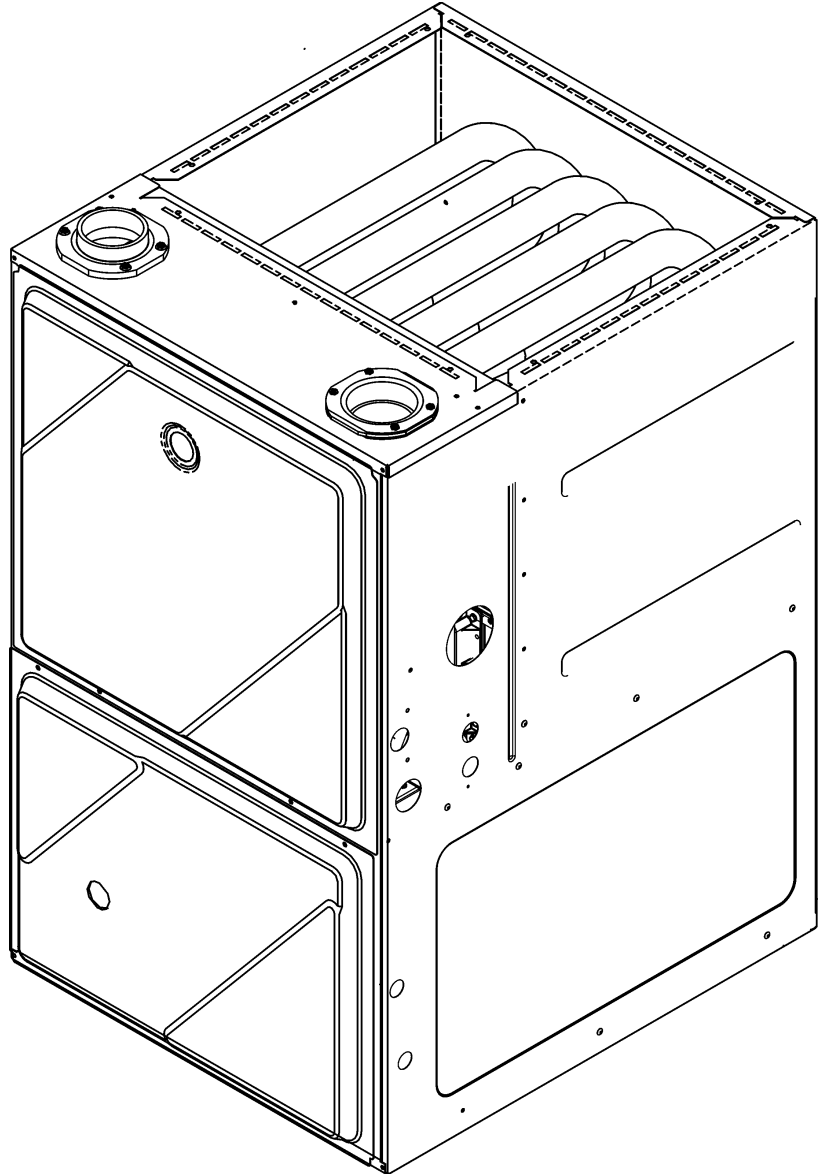


REPAIR PARTS

VMSS 96% Single Stage UpFlow Furnace

VMSS960603BNAA
VMSS960803BNAA
VMSS960804CNAA
VMSS961005CNAA



This manual is to be used by qualified technicians only.

© 2017 Goodman Manufacturing Company, L.P. ♦ 5151 San Felipe St., Suite 500 ♦ Houston, TX 77056

Important Information

Index

Functional Parts List	3
Illustration and Parts	4 - 11

Views shown are for parts illustrations only, not servicing procedures

Text Codes:

AR - As Required

NA - Not Available

NS - Not Shown

00000000 - See Note

QTY - Quantity Example (QTY 3) (If Quantity not shown, Quantity = 1)

M - Model Example (M1) (If M Code not shown, then part is used on all Models)

Expanded Model Nomenclature:

Example M1 - Model#1 M2 - Model#2 M3 - Model#3

Goodman Manufacturing Company, L.P. is not responsible for personal injury or property damage resulting from improper service. Review all service information before beginning repairs.

Warranty service must be performed by an authorized technician, using authorized factory parts. If service is required after the warranty expires, Goodman Manufacturing Company, L.P. also recommends contacting an authorized technician and using authorized factory parts.

Goodman Manufacturing Company, L.P. reserves the right to discontinue, or change at any time, specifications or designs without notice or without incurring obligations.

For assistance within the U.S.A. contact:
Homeowner Support
Goodman Manufacturing Company, L.P.
19001 Kermier Road
Waller, Texas 77484
877-254-4729-Telephone
713-863-2382-Facsimile

For assistance outside the U.S.A. contact:
International Division
Goodman Manufacturing Company, L.P.
19001 Kermier Road
Waller, Texas 77484
713-861-2500-Telephone
713-863-2382-Facsimile

Functional Parts

Part

No: Description:

20162904	*PRIMARY LIMIT-TEMPERATURE CONTROL *Refer to service bulletin SF-054
0163F00017	BECKETT BURNER
0271F00182	BLOWER HSG ASSY
0271F00181	BLOWER HSG ASSY
0271F00161	BLOWER SHELL & WHEEL ASSY
CAP125000370LA	CAPACITOR 12.5/370V
CAP150000370LA	CAPACITOR 15/370V
CAP200000370LA	CAPACITOR 20/370V
0130F00010	FLAME SENSOR
0151M00037	GAS VALVE
0257F00379	HEAT EXCHANGER ASSY
0257F00240	HEAT EXCHANGER ASSY
0257F00374	HEAT EXCHANGER ASSY
0257F00280	HEAT EXCHANGER ASSY
0130F00008	IGNITOR-SINI 17 SEC
0130M00243	INTERLOCK SWITCH
10123538	MANUAL RESET LIMIT - ROS
10123539	MANUAL RESET LIMIT - ROS
0131F00038	MOTOR, 1/2 HP
0131F00030	MOTOR, 1/2HP
0131F00027	MOTOR, 1/3HP, 4SP, 6PL
0131F00031	MOTOR, 3/4 HP
PCBBF140	PCB, IGNITION CONTROL
20162903	PRIMARY LIMIT - BLUE
0130F00038	PRIMARY LIMIT - LT BLUE 120° (AUX)
0130F00440	SWITCH, PRESSURE
0130F00439	SWITCH, PRESSURE
0150M00042	WHEEL, BLOWER (10 X 10)
0150M00043	WHEEL, BLOWER (10 X 8)

Expanded Model Nomenclature

M1 - VMSS960603BNAA
M2 - VMSS960803BNAA
M3 - VMSS960804CNAA
M4 - VMSS961005CNAA

Cabinet Assembly

IMAGE 1

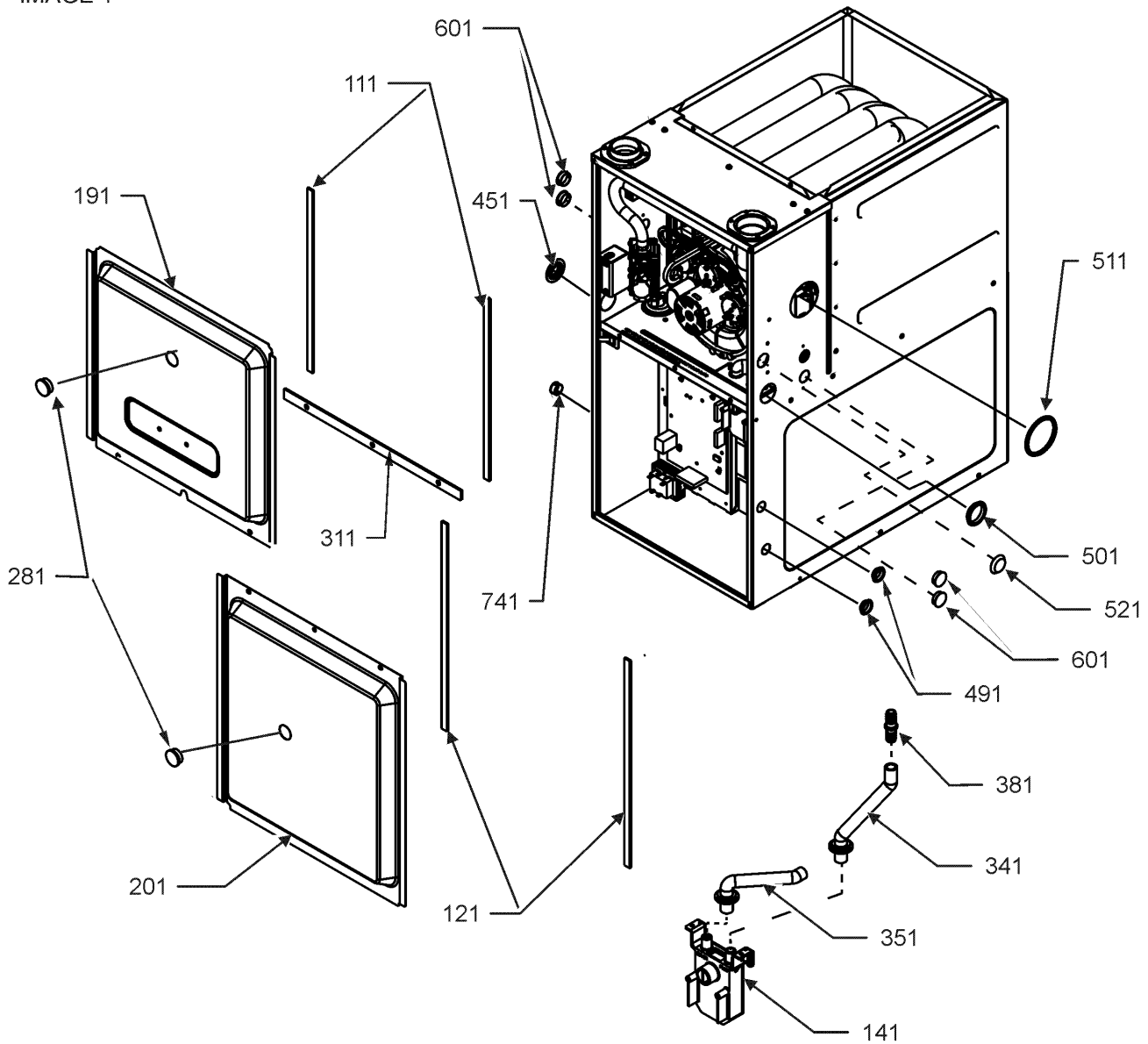
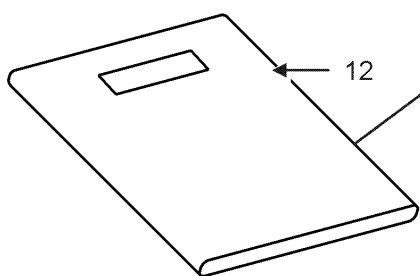
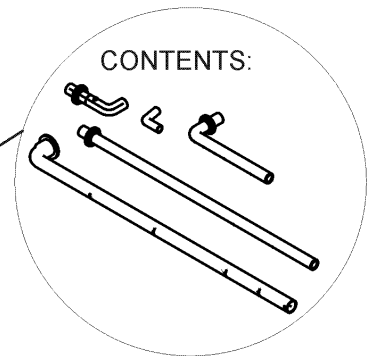
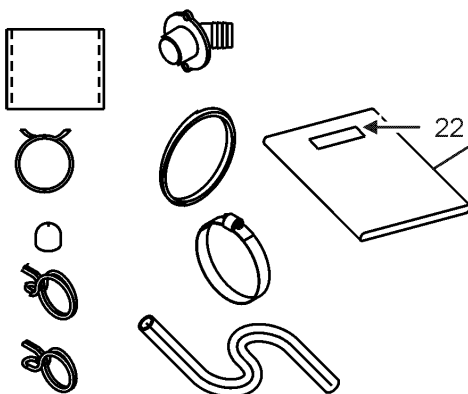


IMAGE 2



CONTENTS:



Cabinet Assembly

Ref. Part No: No:	Description:	Ref. Part No: No:	Description:
-------------------	--------------	-------------------	--------------

Image 1:

111	0154F00024	GASKET
121	0154F00025	GASKET
141	0161F00046	DRAIN TRAP
191	0121F00291DB	DOOR, ACCESS 17.5 PNT
191	0121F00292DB	DOOR, ACCESS 21 PNT
201	0121F00288DB	DOOR, BLOWER 17.5 PNT
201	0121F00289DB	DOOR, BLOWER 21 PNT
281	B1392139	VIEW PORT BUSHING-BLOWER DOOR
311	0154F00020	DECK GASKET
311	0154F00021	DECK GASKET
341	0164F00017	HOSE-ELBOW/TRAP
351	0164F00006	HOSE, COVER/TRAP
381	0161F00047	COUPLING, HOSE BARBED
451	M0501301	PIPE GROMMET
491	M0570808	BUTTON PLUG
501	M0570806	BUTTON PLUG
511	M0570807	BUTTON PLUG
521	0161M00027	PLUG, HOLE
601	B1392021	PLASTIC PLUG, 1" (2713-BLK)
741	B1392104	UNIVERSAL BUSHING UB 875
NS	M0310345	BUTTON PLUG
NS	0163M00049	HOSE CLAMP
NS	M0209730	SCREW-DECORATIVE

Image 2:

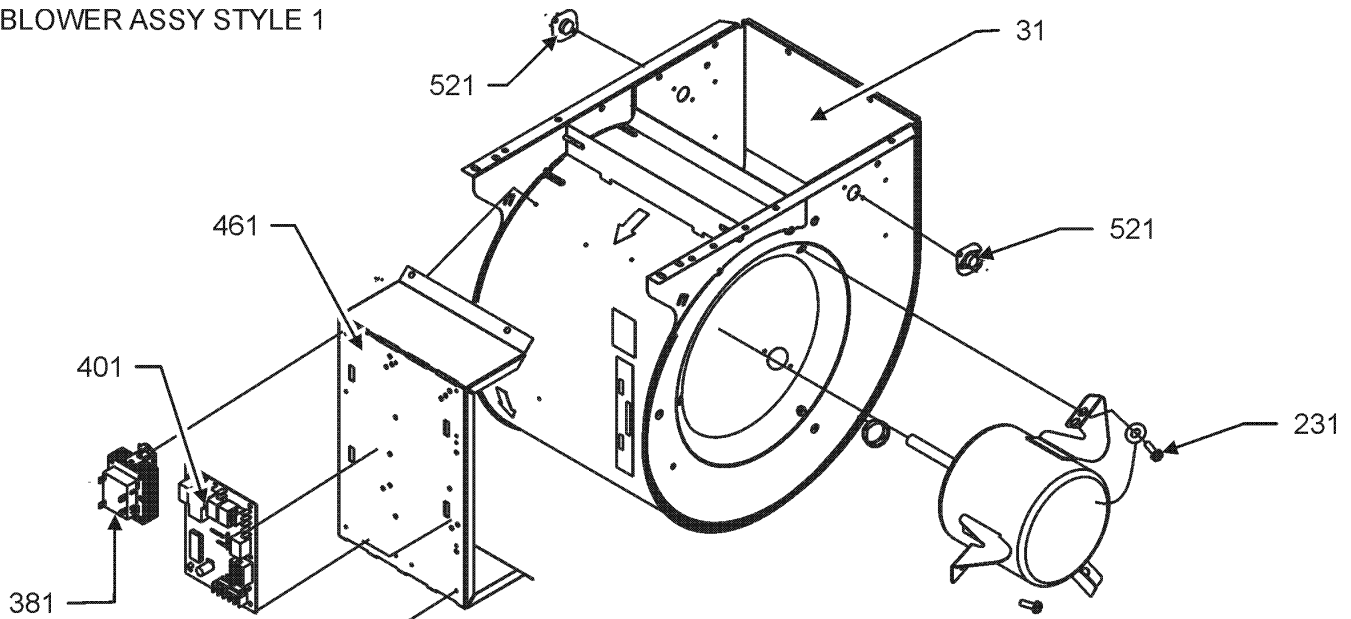
12	0270F03140	DRAIN PART BAG ASSY UF
22	0270F03667	BAG ASSY UF

Expanded Model Nomenclature

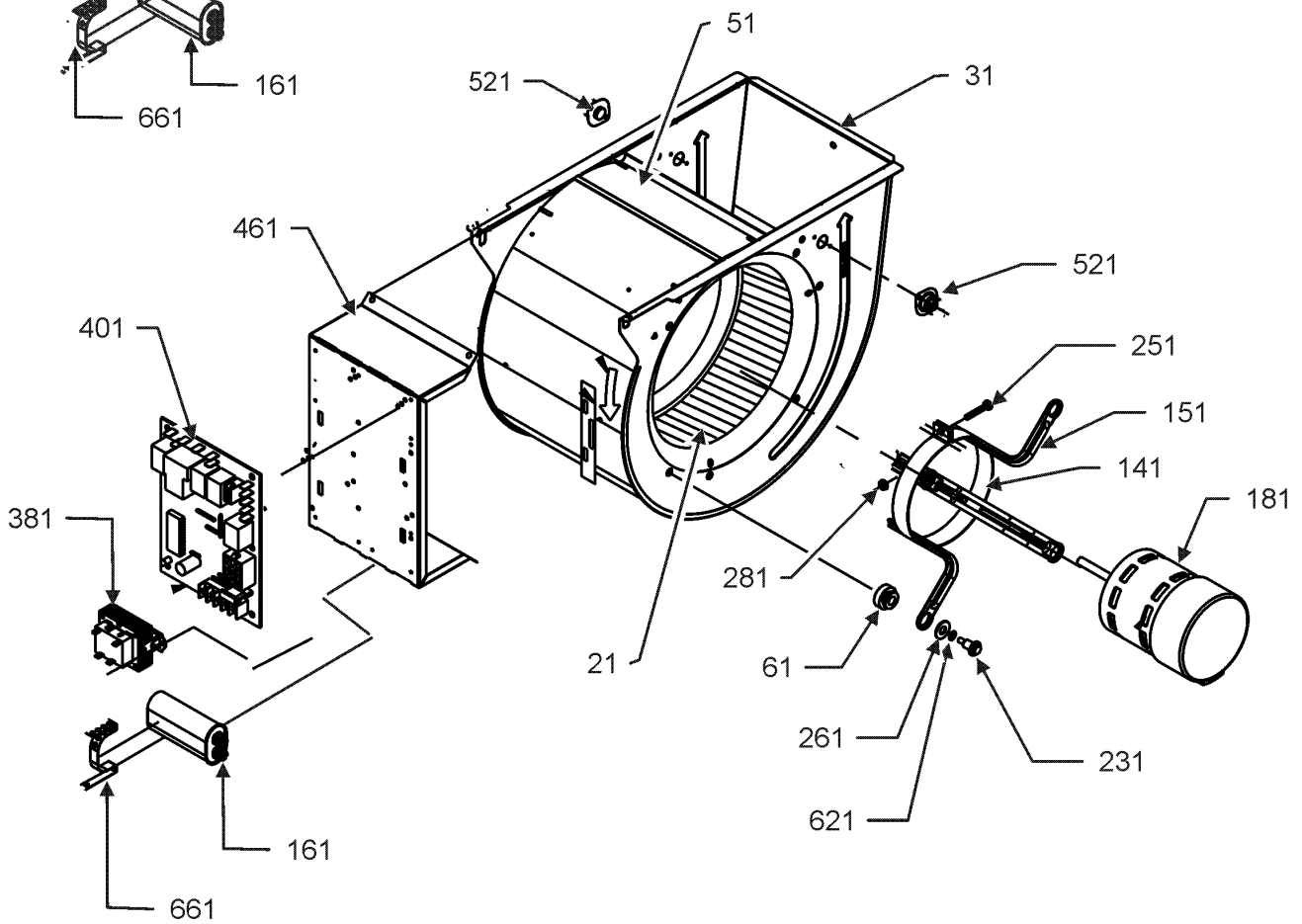
M1 - VMSS960603BNAA
M2 - VMSS960803BNAA
M3 - VMSS960804CNAA
M4 - VMSS961005CNAA

Blower Assembly

BLOWER ASSY STYLE 1



BLOWER ASSY STYLE 2



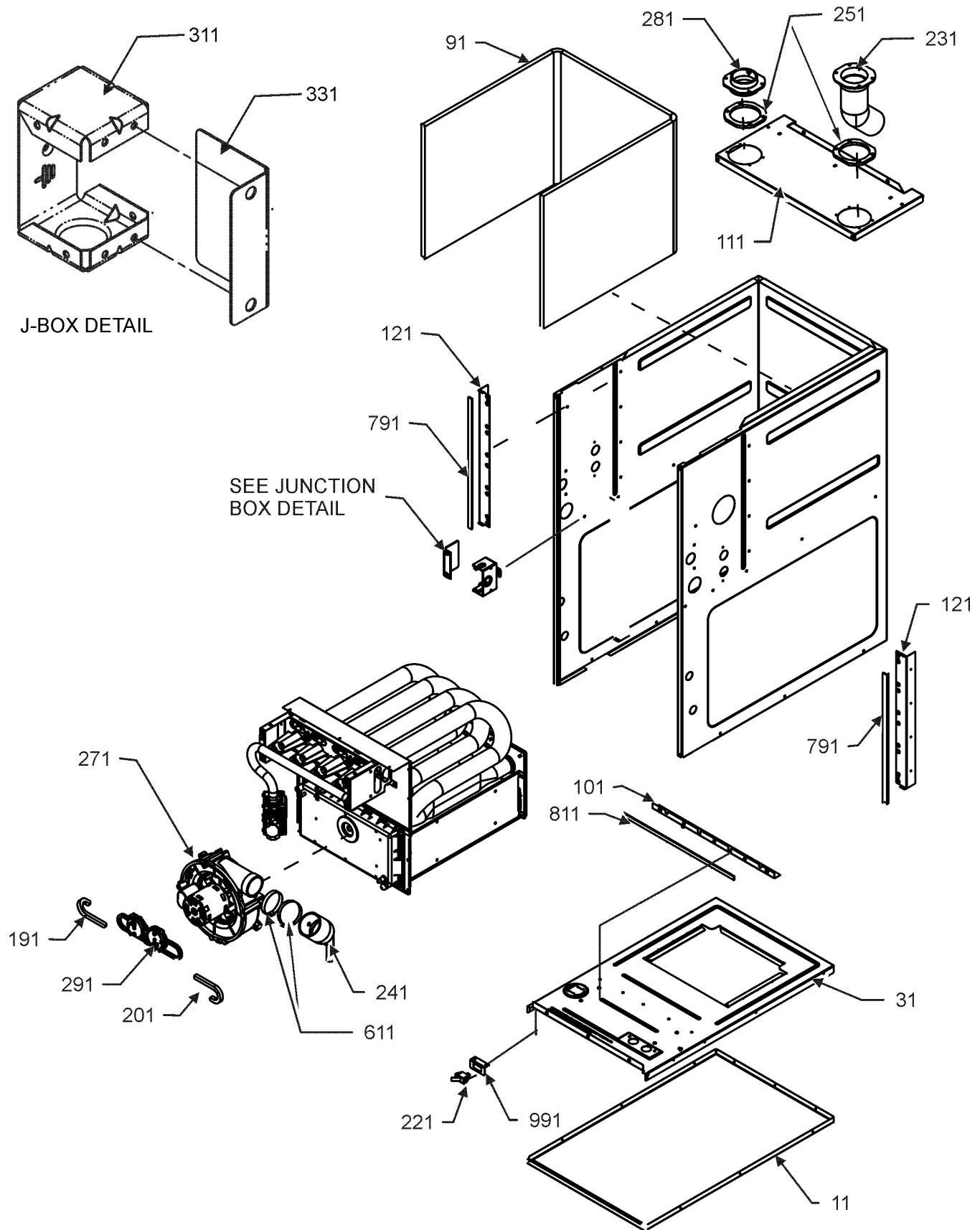
Blower Assembly

Ref. Part No: No:	Description:	Ref. Part No: No:	Description:
Image 1:			
21	0150M00042		WHEEL, BLOWER (10 X 10)
21	0150M00043		WHEEL, BLOWER (10 X 8)
31	0271F00181		BLOWER HSG ASSY
31	0271F00182		BLOWER HSG ASSY
31	0271F00161		BLOWER SHELL & WHEEL ASSY
51	764741		BLOWER BLOCK-OFF 10 X 10
51	764740		BLOWER BLOCK-OFF 10 X 8
61	A4002702		BLOWER MOTOR GROMMET
141	10441601		MOTOR MOUNT BAND
151	10441501		MOTOR MOUNT ARM
161	CAP125000370LA		CAPACITOR 12.5/370V
161	CAP150000370LA		CAPACITOR 15/370V
161	CAP200000370LA		CAPACITOR 20/370V
181	0131F00038		MOTOR, 1/2 HP
181	0131F00030		MOTOR, 1/2HP
181	0131F00027		MOTOR, 1/3HP, 4SP, 6PL
181	0131F00031		MOTOR, 3/4 HP
231	0163F00028		SCREW
231	M0250558		TC SCREW
251	M0267144		MACHINE SCREW
261	M0274008		WASHER-FLAT
281	M0282015		KEPS NUT
381	0130M00140		TRANSFORMER 120V TO 24V, 40VA
401	PCBBF140		PCB, IGNITION CONTROL
461	0121F00464		MOUNTING PLATE-CONTROLS
521	0130F00038		PRIMARY LIMIT - LT BLUE 120° (AUX)
621	B1392820		WASHER, SPLIT LOCK 1/4 BZ
661	20520901		CAPACITOR STRAP
NS	B1392021		PLASTIC PLUG, 1" (2713-BLK)
NS	0259F00024		WIRE HARNESS-BLOWER

Expanded Model Nomenclature

M1 - VMSS960603BNAA
M2 - VMSS960803BNAA
M3 - VMSS960804CNAA
M4 - VMSS961005CNAA

Chassis Assembly



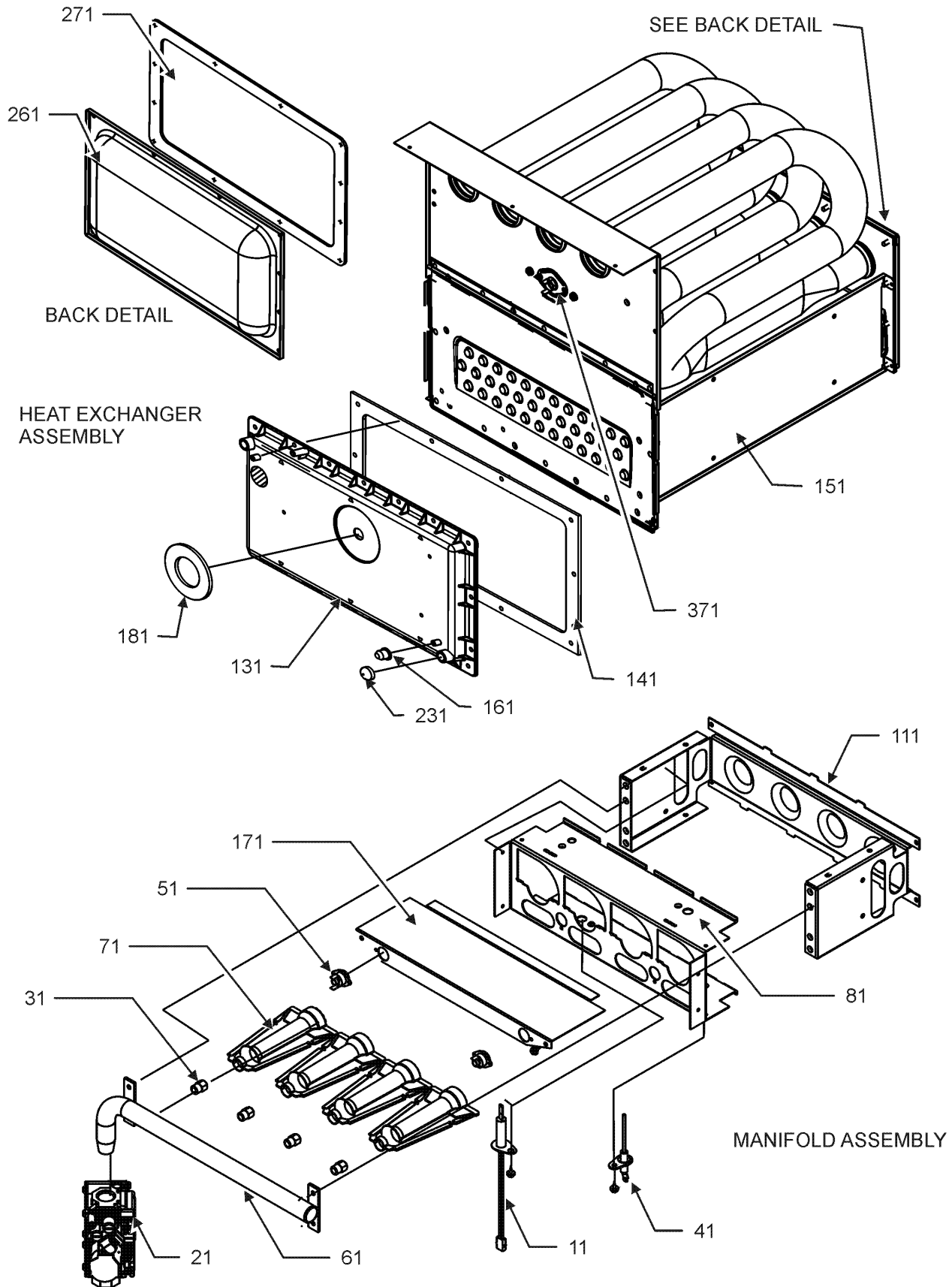
Chassis Assembly

Ref. Part No:	No:	Description:	Ref. Part No:	No:	Description:
Image 1:					
11	0121F00530DG	BASEPAN, 17.5			
11	0121F00531DG	BASEPAN, 21 PNT			
31	0121F00533	DECK-BLOWER 17.5"			
31	0121F00534	DECK-BLOWER 21"			
91	0160F00015	INSULATION, HT EXCHANGER 17.5"			
91	0160F00016	INSULATION, HT EXCHANGER 21"			
101	0121F00314	ANGLE, DECK			
101	0121F00315	ANGLE, DECK			
111	0121F00279DG	PAINTED TOP, FURNACE 17.5			
111	0121F00280DG	PAINTED TOP, FURNACE 21			
121	0121F00313	ANGLE, SIDE			
191	0164M00008	PRESSURE SWITCH HOSE			
201	0164M00015	PRESSURE SWITCH HOSE			
221	0130M00243	INTERLOCK SWITCH			
231	0164F00002	FLUE PIPE W/BEND			
241	0164F00001	ELBOW-FLUE, UPFLOW			
251	0154F00041	FRESH AIR GASKET			
271	0171M00001	MOTOR-ID, BLOWER			
281	0161F00037	COUPLING			
291	0130F00439	SWITCH, PRESSURE			
291	0130F00440	SWITCH, PRESSURE			
311	0161F00042	JUNCTION BOX PLA			
331	0161F00043	JUNCTION BOX LID			
611	0163M00049	CLAMP HOSE			
791	0154F00015	GASKET			
811	0154F00014	GASKET			
811	0154F00016	GASKET			
991	0121F00389	BRACKET, DOOR SWITCH			
NS	0159F00067	HARNESS, WIRING			
NS	0159F00070	HARNESS, WIRING			
NS	M0326804	PLUG-TUBE			

Expanded Model Nomenclature

M1 - VMSS960603BNAA
M2 - VMSS960803BNAA
M3 - VMSS960804CNAA
M4 - VMSS961005CNAA

Heat Exchanger / Manifold Assembly



Heat Exchanger / Manifold Assembly

Ref. Part No:	Part No:	Description:	Ref. Part No:	Part No:	Description:
Image 1:					
11	0130F00008	IGNITOR-SINI 17 SEC			
21	0151M00037	GAS VALVE			
31	10716005	ORIFICE			
41	0130F00010	FLAME SENSOR			
51	10123538	MANUAL RESET LIMIT - ROS			
51	10123539	MANUAL RESET LIMIT - ROS			
61	0163F00008	MANIFOLD			
61	0163F00009	MANIFOLD			
61	0163F00010	MANIFOLD			
61	0163F00014	MANIFOLD			
71	0163F00017	BECKETT BURNER			
81	0121F00455	BRACKET-BURNER 3			
81	0121F00454	BRACKET-BURNER 4			
81	0121F00453	BRACKET-BURNER 5			
111	0121F00468	ORIFICE BRACKET-BURNER 3			
111	0121F00467	ORIFICE BRACKET-BURNER 4			
111	0121F00466	ORIFICE BRACKET-BURNER 5			
131	0161F00024	FRONT COVER			
131	0161F00026	FRONT COVER			
131	0161F00030	FRONT COVER			
131	0161F00054	FRONT COVER			
141	0154F00026	GASKET FRONT COVER			
141	0154F00030	GASKET FRONT COVER			
151	0257F00240	HEAT EXCHANGER ASSY			
151	0257F00280	HEAT EXCHANGER ASSY			
151	0257F00374	HEAT EXCHANGER ASSY			
151	0257F00379	HEAT EXCHANGER ASSY			
161	M0326804	TUBE PLUG			
171	0121F00542	SHIELD, BURNER			
181	0154F00043	GASKET ID BLOWER			
231	A1781105	CAP-VINYL .500			
261	0121F00317	COVER, REAR			
261	0121F00318	COVER, REAR			
271	0154F00037	GASKET, REAR CVR			
271	0154F00038	GASKET, REAR CVR			
371	20162904	*PRIMARY LIMIT-TEMPERATURE CONTROL			
		*Refer to service bulletin SF-054			
371	20162903	PRIMARY LIMIT - BLUE			
NS	0121F00583	INSULATION, RETAINER			
NS	0121F00439	PRIMARY LIMIT-HEAT SHIELD			
NS	0121F00355	SHIELD, COIL			

Expanded Model Nomenclature

- | |
|---------------------|
| M1 - VMSS960603BNAA |
| M2 - VMSS960803BNAA |
| M3 - VMSS960804CNAA |
| M4 - VMSS961005CNAA |