

# REPAIR PARTS

---

## MSC / MSH Indoor Remote Cooling & Heat Pump

MSC092E15AXAA  
MSC123E15AXAA  
MSC183E15AXAA  
MSC243E15AXAA  
MSH092E15AXAA  
MSH123E15AXAA  
MSH183E15AXAA  
MSH243E15AXAA



This manual is to be used by qualified technicians only.

© 2012 Goodman Manufacturing Company, L.P. ♦ 5151 San Felipe, Suite 500 ♦ Houston, TX 77056

# Important Information

---

## Index

Functional Parts List .....	3
Illustration and Parts .....	4 - 7

*Views shown are for parts illustrations only, not servicing procedures.*

Single zone Indoor 15 SEER Mini-Split Units.

### Text Codes:

AR - As Required

NA - Not Available

NS - Not Shown

00000000 - See Note

QTY - Quantity Example (QTY 3) (If Quantity not shown, Quantity = 1)

M - Model Example (M1) (If M Code not shown, then part is used on all Models)

### Expanded Model Nomenclature:

Example M1 - Model#1 M2 - Model#2 M3 - Model#3
---

Goodman Manufacturing Company, L.P. is not responsible for personal injury or property damage resulting from improper service. Review all service information before beginning repairs.

Warranty service must be performed by an authorized technician, using authorized factory parts. If service is required after the warranty expires, Goodman Manufacturing Company, L.P. also recommends contacting an authorized technician and using authorized factory parts.

Goodman Manufacturing Company, L.P. reserves the right to discontinue, or change at any time, specifications or designs without notice or without incurring obligations.

For assistance within the U.S.A. contact:  
Consumer Affairs Department  
Goodman Manufacturing Company, L.P.  
7401 Security Way  
Houston, Texas 77040  
877-254-4729-Telephone  
713-863-2382-Facsimile

For assistance outside the U.S.A. contact:  
International Division  
Goodman Manufacturing Company, L.P.  
7401 Security Way  
Houston, Texas 77040  
713-861-2500-Telephone  
713-863-2382-Facsimile

# Functional Parts

**Part  
No:**

**Description:**

Expanded Model Nomenclature

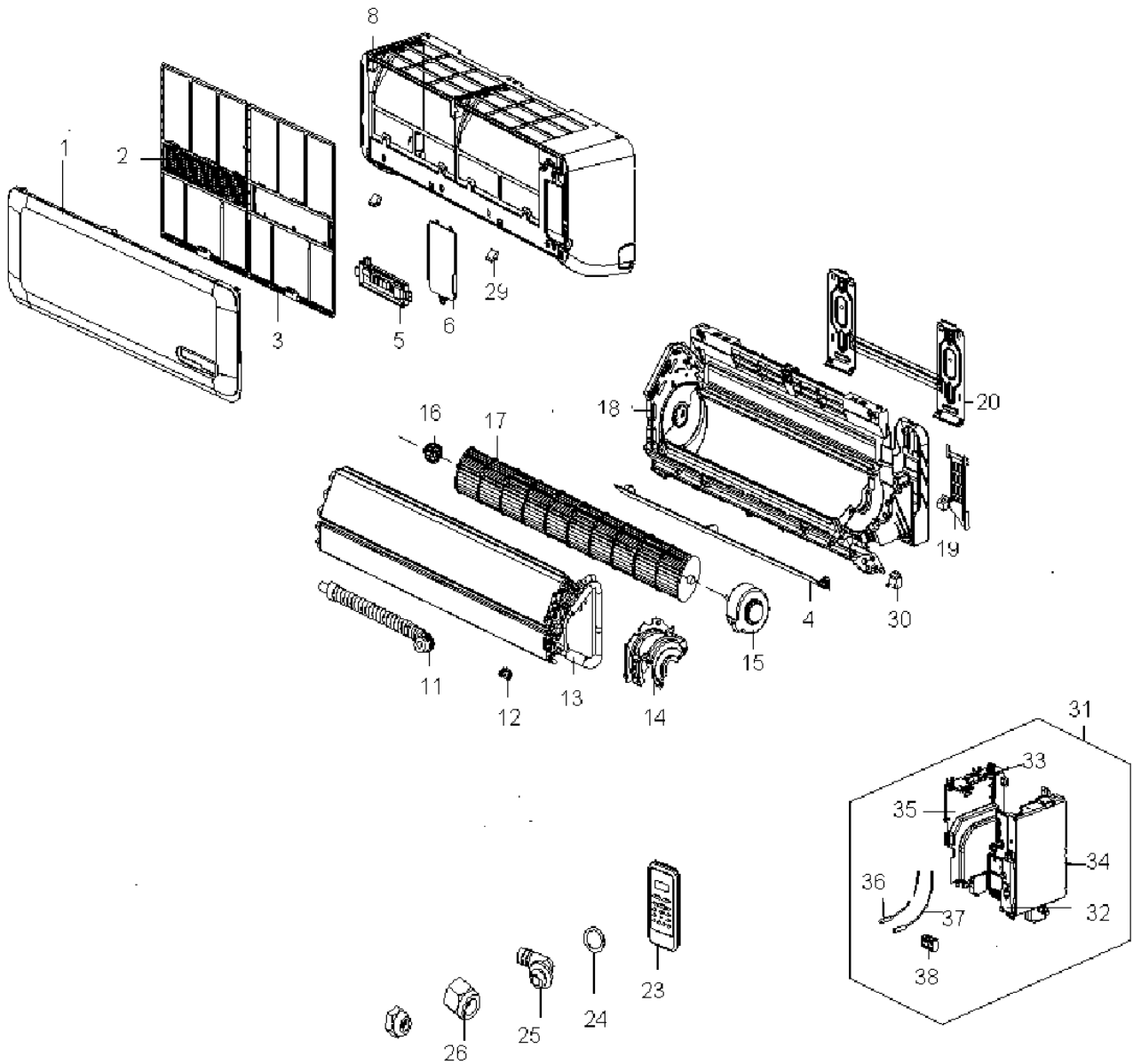
202433190000	Ambient temperature sensor assembly (M1, M2, M3, M4, M5, M8)
202432390005	Ambient temperature sensor assembly (M6, M7)
202400300136	Asynchronous motor (M5)
202400300137	Asynchronous motor (M2, M6)
202400300417	Asynchronous motor (M1)
202400300419	Asynchronous motor (M3, M7)
202400401262	Asynchronous motor (M4, M8)
201100200050	Cross flow fan (M1, M5)
201100200053	Cross flow fan (M4, M8)
201100200051	Cross flow fan (M2, M6)
201100200052	Cross flow fan (M3, M7)
203333090453	Electronic control box assembly (M8)
203332391055	Electronic control box assembly (M5)
203332391077	Electronic control box assembly (M1)
203332591083	Electronic control box assembly (M2)
203332591084	Electronic control box assembly (M6)
203332591085	Electronic control box assembly (M3)
203332591086	Electronic control box assembly (M7)
203333090452	Electronic control box assembly (M4)
202400200120	Louver motor (M4, M8)
202400200031	Louver motor (M1, M2, M3, M5, M6, M7)
201332590944	Main control board assembly (M6)
201333090655	Main control board assembly (M8)
201333090654	Main control board assembly (M4)
201332590945	Main control board assembly (M3)
201332590943	Main control board assembly (M2)
201332391528	Main control board assembly (M1)
201332391405	Main control board assembly (M5)
201332590946	Main control board assembly (M7)
202301300080	Pipe temperature sensor assembly (M4, M8)
202301300584	Pipe temperature sensor assembly (M1, M2, M3, M5, M6, M7)
202300900099	Transformer (M4, M8)

M1 - MSC092E15AXAA
M2 - MSC123E15AXAA
M3 - MSC183E15AXAA
M4 - MSC243E15AXAA
M5 - MSH092E15AXAA
M6 - MSH123E15AXAA
M7 - MSH183E15AXAA
M8 - MSH243E15AXAA

## SPECIAL PARTS

203355091469	Remote Controller
--------------	-------------------

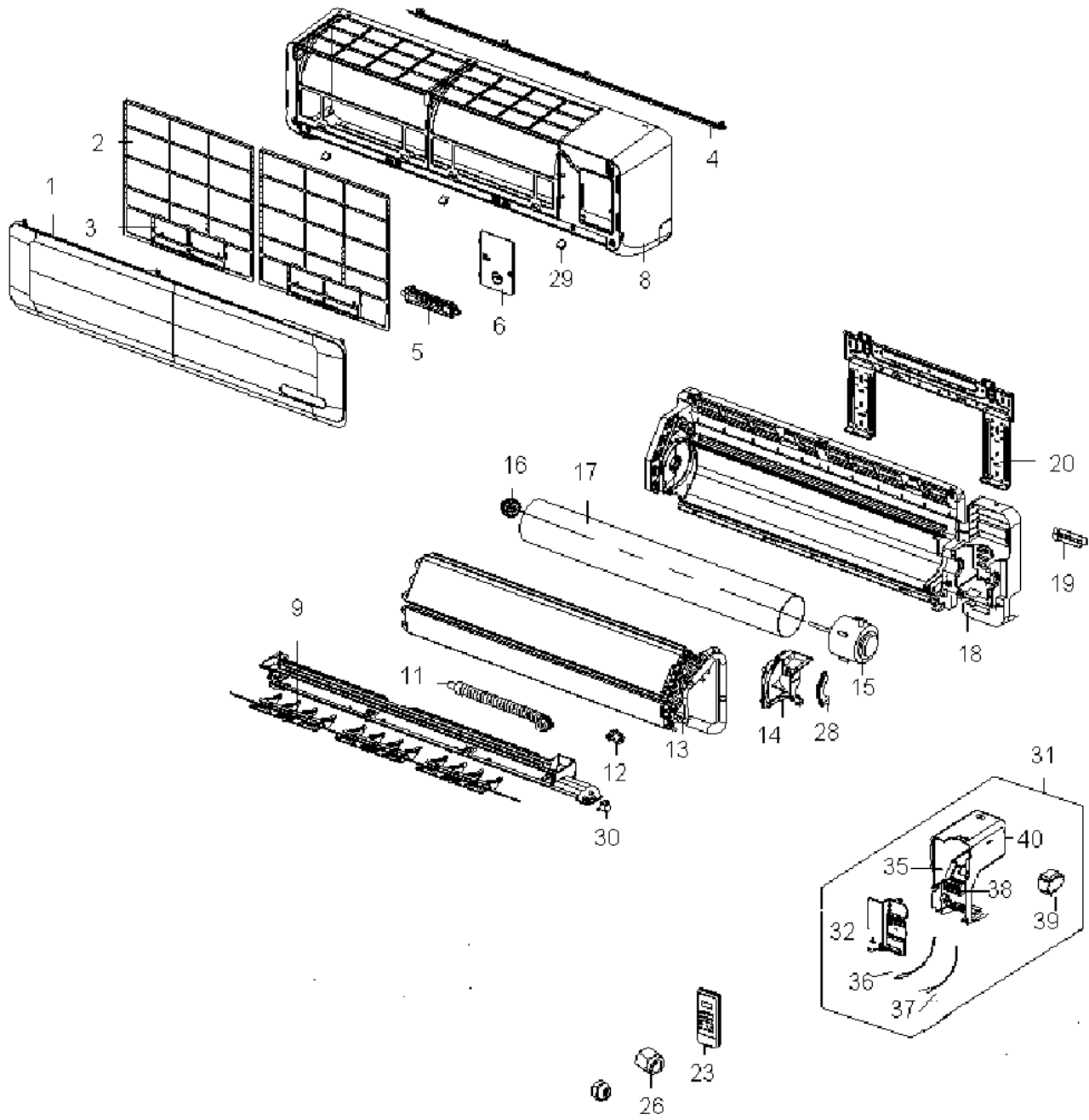
# MSC / MSH (092,123, 183)



# MSC / MSH (092,123, 183)

Ref. Part No:	No:	Description:	Ref. Part No:	No:	Description:
<i>Image 1:</i>			<i>Image 1:</i>		
1	201132391050	Panel assembly (M1, M5)	26	201600330003	Nut (M3, M7)
1	201132490135	Panel assembly (M2, M6)	29	201119900950	Screw cap (M1, M2, M3, M5, M6, M7)
1	201132790646	Panel assembly (M3, M7)	30	202400200031	Louver motor (M1, M2, M3, M5, M6, M7)
2	201132391045	Air filter (M1, M5)	31	203332391055	Electronic control box assembly (M5)
2	201132490130	Air filter (M2, M6)	31	203332391077	Electronic control box assembly (M1)
2	201132790644	Air filter (M3, M7)	31	203332591083	Electronic control box assembly (M2)
3	201131410703	Air cleaner (M1, M2, M3, M5, M6, M7)	31	203332591084	Electronic control box assembly (M6)
4	201132391046	Horizontal louver (M1, M5)	31	203332591085	Electronic control box assembly (M3)
4	201132490131	Horizontal louver (M2, M6)	31	203332591086	Electronic control box assembly (M7)
4	201132790643	Horizontal louver (M3, M7)	32	201132490126	Cover of electronic control box (M1, M2, M3, M5, M6, M7)
5	203332590981	Display box assembly (M1, M2, M3)	33	201132490125	Electronic control box I (M1, M2, M3, M5, M6, M7)
5	203332590982	Display box assembly (M5, M6, M7)	34	201132490124	Electronic control box II (M1, M2, M3, M5, M6, M7)
6	201119900948	Cover of indoor electronic control box (M1, M2, M3, M5, M6, M7)	35	201332391405	Main control board assembly (M5)
8	201132391047	Panel frame assembly (M1, M5)	35	201332391528	Main control board assembly (M1)
8	201132490134	Panel frame assembly (M2, M6)	35	201332590943	Main control board assembly (M2)
8	201132790641	Panel frame assembly (M3, M7)	35	201332590944	Main control board assembly (M6)
11	201101020038	Drain hose (M1, M2, M3, M5, M6, M7)	35	201332590945	Main control board assembly (M3)
12	201102000305	Fix clamp of temperature sensor (M1, M2, M3, M5, M6, M7)	35	201332590946	Main control board assembly (M7)
13	201532390187	Evaporator assembly (M1, M5)	36	202432390005	Ambient temperature sensor assembly (M6, M7)
13	201532490051	Evaporator assembly (M2, M6)	36	202433190000	Ambient temperature sensor assembly (M1, M2, M3, M5)
13	201532790079	Evaporator assembly (M3, M7)	37	202301300584	Pipe temperature sensor assembly (M1, M2, M3, M5, M6, M7)
14	201132490127	Fan motor cover (M1, M2, M5, M6)	38	202301400073	Wire joint (M3, M7)
14	201132790645	Fan motor cover (M3, M7)	38	202301450119	Wire joint (M1, M2, M5, M6)
15	202400300136	Asynchronous motor (M5)	<b>Expanded Model Nomenclature</b>		
15	202400300137	Asynchronous motor (M2, M6)	M1 - MSC092E15AXAA		
15	202400300417	Asynchronous motor (M1)	M2 - MSC123E15AXAA		
15	202400300419	Asynchronous motor (M3, M7)	M3 - MSC183E15AXAA		
16	202719900606	Bearing base (M1, M2, M3, M5, M6, M7)	M4 - MSC243E15AXAA		
17	201100200050	Cross flow fan (M1, M5)	M5 - MSH092E15AXAA		
17	201100200051	Cross flow fan (M2, M6)	M6 - MSH123E15AXAA		
17	201100200052	Cross flow fan (M3, M7)	M7 - MSH183E15AXAA		
18	201132391049	Chassis assembly (M1, M5)	M8 - MSH243E15AXAA		
18	201132490133	Chassis assembly (M2, M6)			
18	201132790642	Chassis assembly (M3, M7)			
19	201119900949	Pipe clamp board (M1, M2, M3, M5, M6, M7)			
20	201232390028	Installation plate (M1, M5)			
20	201232490004	Installation plate (M2, M6)			
20	201232790011	Installation plate (M3, M7)			
23	203355091469	Remote Controller (M1, M2, M3, M5, M6, M7)			
24	202720090001	Seal ring (M1, M2, M5, M6, M7)			
25	201101020011	Drain connector (M1, M2, M5, M6, M7)			
26	201600330001	Nut (M1, M2, M3, M5, M6, M7)			
26	201600330002	Nut (M1, M2, M5, M6)			

# MSC / MSH 243



# MSC / MSH 243

**Ref. Part  
No: No:**

**Description:**

**Ref. Part  
No: No:**

**Description:**

*Image 1:*

1	201133090983	Panel assembly (M4, M8)
2	201133090979	Air filter (M4, M8)
3	201131410703	Air cleaner (M4, M8)
4	201133090987	Horizontal louver (M4, M8)
5	203332590981	Display box assembly (M4)
5	203332590982	Display box assembly (M8)
6	201133090982	Cover of indoor electronic control box (M4, M8)
8	201133090985	Panel frame assembly (M4, M8)
9	201133090978	Air outlet assembly (M4, M8)
11	201101020038	Drain hose (M4, M8)
12	201102000305	Fix clamp of temperature sensor (M4, M8)
13	201533090118	Evaporator assembly (M4, M8)
14	201133090980	Fan motor cover (M4, M8)
15	202400401262	Asynchronous motor (M4, M8)
16	202719900606	Bearing base (M4, M8)
17	201100200053	Cross flow fan (M4, M8)
18	201133090986	Chassis assembly (M4, M8)
19	201232800001	Pipe clamp board (M4, M8)
20	201232590038	Installation plate (M4, M8)
23	203355091469	Remote Controller (M4, M8)
24	202720090001	Seal ring (M8)
25	201101020011	Drain connector (M8)
26	201600330002	Nut (M4, M8)
26	201600330004	Nut (M4, M8)
28	201133090167	Fixing board of fan motor (M4, M8)
29	201119900950	Screw cap (M4, M8)
30	202400200120	Louver motor (M4, M8)
31	203333090452	Electronic control box assembly (M4)
31	203333090453	Electronic control box assembly (M8)
32	201133090981	Cover of electronic control box (M4, M8)
35	201333090654	Main control board assembly (M4)
35	201333090655	Main control board assembly (M8)
36	202433190000	Ambient temperature sensor assembly (M4, M8)
37	202301300080	Pipe temperature sensor assembly (M4, M8)
38	202301400073	Wire joint (M4, M8)
39	202300900099	Transformer (M4, M8)
40	201133090976	Electronic control box (M4, M8)

Expanded Model Nomenclature

M1 - MSC092E15AXAA
M2 - MSC123E15AXAA
M3 - MSC183E15AXAA
M4 - MSC243E15AXAA
M5 - MSH092E15AXAA
M6 - MSH123E15AXAA
M7 - MSH183E15AXAA
M8 - MSH243E15AXAA

# REPAIR PARTS

---

## Outdoor Remote Condensing and Heat Pump Unit

MSC092E15MCAA  
MSC123E15MCAA  
MSC183E15MCAA  
MSC243E15MCAA  
MSH092E15MCAA  
MSH123E15MCAA  
MSH183E15MCAA  
MSH243E15MCAA



This manual is to be used by qualified technicians only.

© 2012 Goodman Manufacturing Company, L.P. ♦ 5151 San Felipe, Suite 500 ♦ Houston, TX 77056



# Important Information

---

## Index

Functional Parts List .....	3
Illustration and Parts .....	4 - 19

*Views shown are for parts illustrations only, not servicing procedures.*

Single Zone Outdoor 15 SEER Mini-Split Units.

### Text Codes:

AR - As Required

NA - Not Available

NS - Not Shown

00000000 - See Note

QTY - Quantity Example (QTY 3) (If Quantity not shown, Quantity = 1)

M - Model Example (M1) (If M Code not shown, then part is used on all Models)

### Expanded Model Nomenclature:

Example M1 - Model#1 M2 - Model#2 M3 - Model#3
---

Goodman Manufacturing Company, L.P. is not responsible for personal injury or property damage resulting from improper service. Review all service information before beginning repairs.

Warranty service must be performed by an authorized technician, using authorized factory parts. If service is required after the warranty expires, Goodman Manufacturing Company, L.P. also recommends contacting an authorized technician and using authorized factory parts.

Goodman Manufacturing Company, L.P. reserves the right to discontinue, or change at any time, specifications or designs without notice or without incurring obligations.

For assistance within the U.S.A. contact:  
Consumer Affairs Department  
Goodman Manufacturing Company, L.P.  
7401 Security Way  
Houston, Texas 77040  
877-254-4729-Telephone  
713-863-2382-Facsimile

For assistance outside the U.S.A. contact:  
International Division  
Goodman Manufacturing Company, L.P.  
7401 Security Way  
Houston, Texas 77040  
713-861-2500-Telephone  
713-863-2382-Facsimile

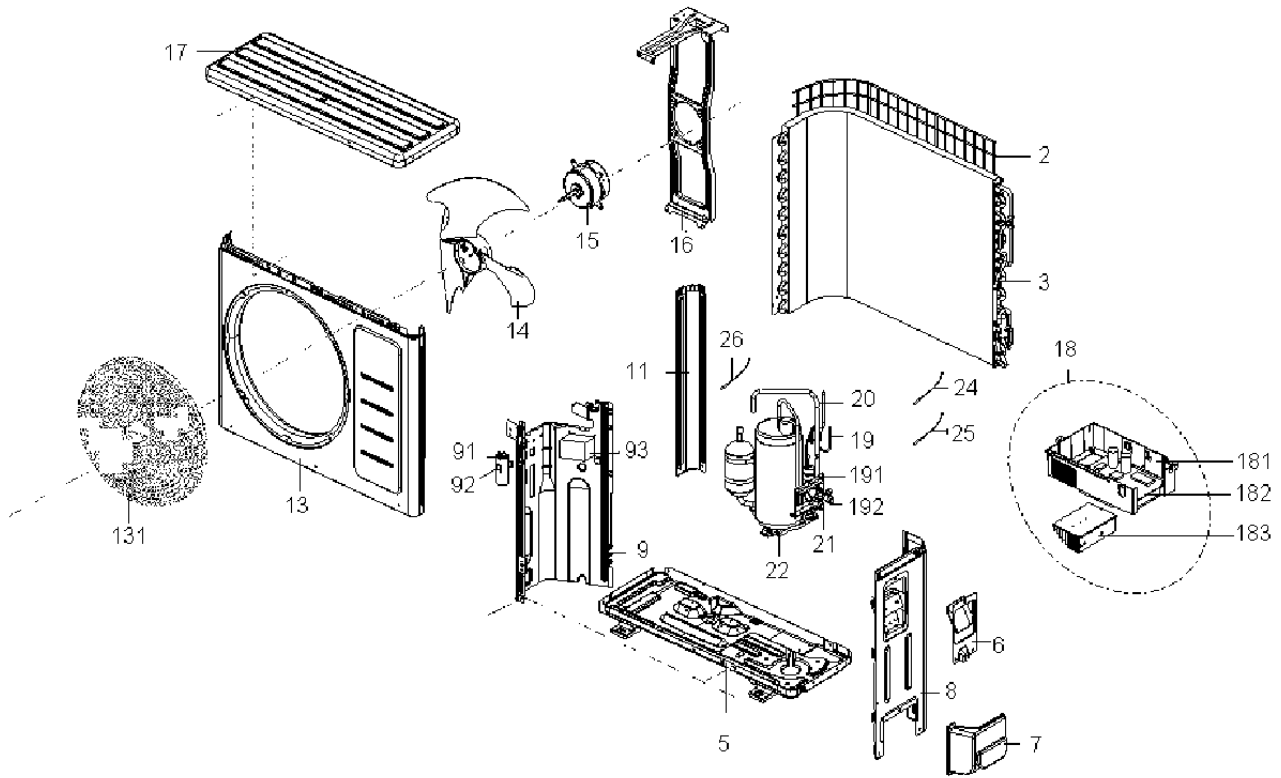
# Functional Parts

**Part  
No:**

**Description:**

Part No:	Description:	
201600690011	4-Ways valve (M7, M8)	201237490039 Terminal board (M2, M6)
201600690010	4-Ways valve (M5, M6)	201237590046 Terminal board (M3, M7)
202301310075	Ambient temperature sensor assembly (M1, M3, M4, M7, M8)	Expanded Model Nomenclature
202400401241	Asynchronous motor (M4, M8)	M1 - MSC092E15MCAA
202400400171	Asynchronous motor (M3, M7)	M2 - MSC123E15MCAA
202400401345	Asynchronous motor (M2, M6)	M3 - MSC183E15MCAA
202400400990	Asynchronous motor (M1)	M4 - MSC243E15MCAA
202400401344	Asynchronous motor (M5)	M5 - MSH092E15MCAA
201100300514	Axial flow fan (M3, M7)	M6 - MSH123E15MCAA
201100320622	Axial flow fan (M4, M8)	M7 - MSH183E15MCAA
201100320625	Axial flow fan (M2, M6)	M8 - MSH243E15MCAA
201100300034	Axial flow fan (M1)	
201100300055	Axial flow fan (M5)	
202401100992	capacitor (M2, M5, M6)	
202401200152	capacitor (M2, M5, M6)	
202401000612	Capacitor of compressor (M4, M8)	
202401090021	Capacitor of compressor (M1)	
201400620600	Compressor (M2)	
201400600530	Compressor (M4, M8)	
201400601230	Compressor (M1, M5, M6)	
201400603269	Compressor (M3, M7)	
202403100501	Crankcase electric heater (M7, M8)	
202401200152	Fan motor capacitor (M3, M4, M7, M8)	
201600720094	Gas valve (M1, M2, M6)	
201600720296	Gas valve (M4, M8)	
201600720195	Gas valve (M3, M7)	
201600720095	Gas valve (M5)	
201600700076	Liquid valve (M1)	
201600700078	Liquid valve (M2, M6)	
201600740704	Liquid valve (M4, M8)	
201600740523	Liquid valve (M3, M5, M7)	
201337790071	Main control board assembly (M3)	
201337390154	Main control board assembly (M2)	
201337390185	Main control board assembly (M5, M6)	
201337390192	Main control board assembly (M1)	
201338090066	Main control board assembly (M4, M8)	
202440500004	Pipe temperature sensor assembly (M3, M4, M7, M8)	
202301300445	Pipe temperature sensor assembly (M1)	
202301300602	Temperature sensor assembly (M2, M5, M6)	
201237890064	Terminal board (M4, M8)	
201237390073	Terminal board (M5)	

# MSC092 Unit Components



# MSC092 Unit Components

Ref. Part No:	Ref. Part No:	Description:	Description:
<i>Image 1:</i>			
2	201137300179	Rear net (M1)	
3	201537390176	Condenser assembly (M1)	
5	201237500230	Chassis assembly (M1)	
6	201237390104	Big handle (M1)	
7	201137390017	Water collector (M1)	
8	201237500257	Right clapboard assembly (M1)	
9	201237500258	Partition board assembly (M1)	
11	201237500180	Left supporter (M1)	
13	201237500196	Front panel (M1)	
14	201100300034	Axial flow fan (M1)	
15	202400400990	Asynchronous motor (M1)	
16	201237500176	Supporter assembly of fan motor (M1)	
17	201237500177	Top cover assembly (M1)	
18	203337390229	Electronic control box assembly (M1)	
19	201637391523	Liquid valve assembly (M1)	
20	201637391525	Suction pipe assembly (M1)	
21	201600720094	Gas valve (M1)	
22	201400601230	Compressor (M1)	
24	202301310075	Ambient temperature sensor assembly (M1)	
25	202301300445	Pipe temperature sensor assembly (M1)	
26	202301310068	Discharge temperature sensor assembly (M1)	
91	202401090021	Capacitor of compressor (M1)	
92	201200100026	Capacitor clip (M1)	
93	202301000860	Reactance (M1)	
131	201137500010	Air outlet grille (M1)	
181	201237390055	Electronic control box (M1)	
182	201337390192	Main control board assembly (M1)	
183	202301990015	Radiator (M1)	
191	201600700076	Liquid valve (M1)	
192	2012373N0005	Valve plate (M1)	

## Expanded Model Nomenclature

- |                    |
|--------------------|
| M1 - MSC092E15MCAA |
| M2 - MSC123E15MCAA |
| M3 - MSC183E15MCAA |
| M4 - MSC243E15MCAA |
| M5 - MSH092E15MCAA |
| M6 - MSH123E15MCAA |
| M7 - MSH183E15MCAA |
| M8 - MSH243E15MCAA |



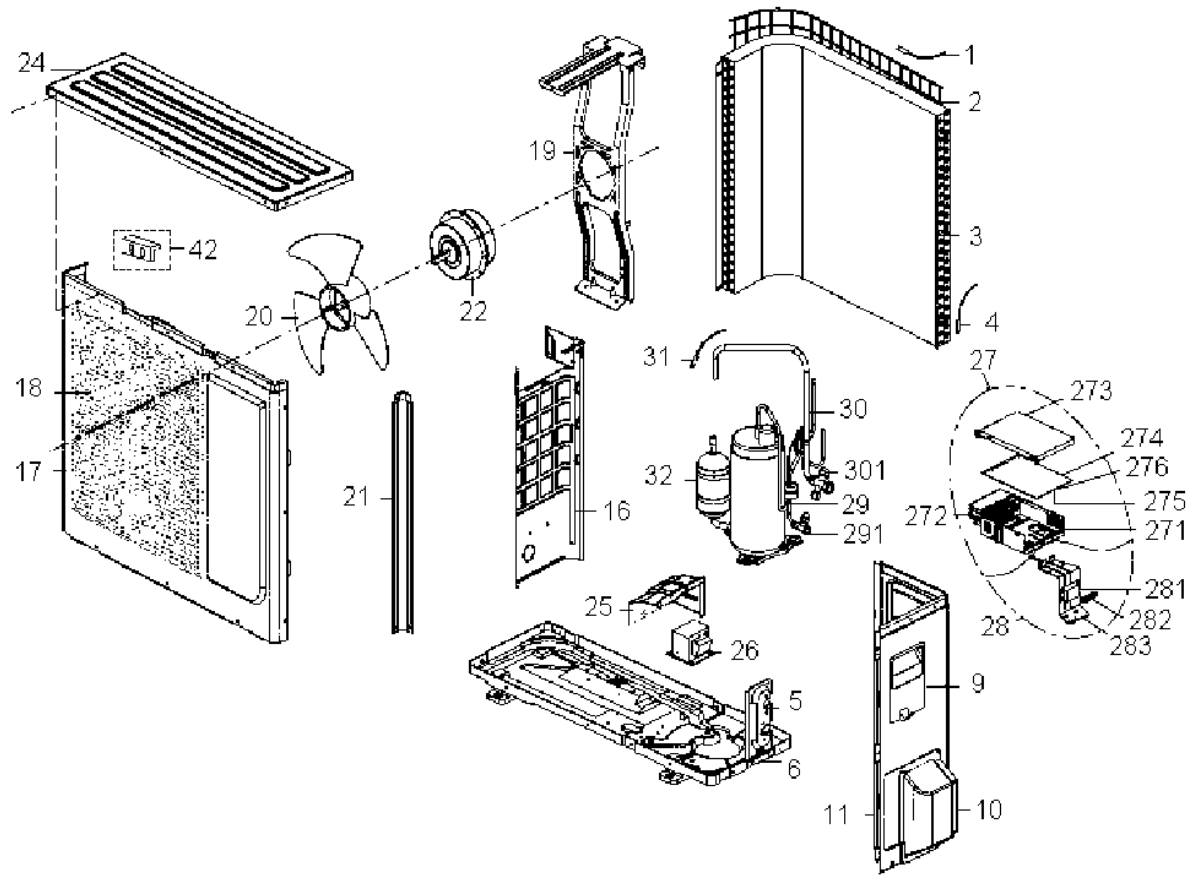
# MSC123 Unit Components

Ref. Part No:	Ref. Part No:	Description:	Description:
<i>Image 1:</i>			
2	2011376G0001	Rear net (M2)	
3	201537590094	Condenser assembly (M2)	
5	201237300285	Valve plate (M2)	
6	201237400422	Chassis assembly (M2)	
7	201237390104	Big handle (M2)	
8	201137390017	Water collector (M2)	
9	201237390090	Rear right clapboard assembly (M2)	
10	201237490025	Partition board assembly (M2)	
11	201237400411	Front panel (M2)	
12	201237390105	Air outlet grille (M2)	
13	202301000847	Reactance (M2)	
15	201237400049	Supporter assembly of fan motor (M2)	
16	201100320625	Axial flow fan (M2)	
17	201237400397	Left supporter (M2)	
18	202400401345	Asynchronous motor (M2)	
20	201237400412	Top cover assembly (M2)	
21	203337390202	Electronic control box assembly (M2)	
22	201637591293	liquid valve assembly (M2)	
23	201637591291	Gas valve assembly (M2)	
25	201400620600	Compressor (M2)	
38	201237400055	Supporter of fan motor holder (M2)	
39	201135110801	Clamp of front net (M2)	
44	203337490048	Terminal board assembly (M2)	
45	201137490029	Cover of electronic control box (M2)	
46	202301300602	Temperature sensor assembly (M2)	
211	201137490028	Electronic control box (M2)	
214	201337390154	Main control board assembly (M2)	
215	202401100992	capacitor (M2)	
215	202401200152	capacitor (M2)	
216	202301901137	Radiator (M2)	
221	201600700078	Liquid valve (M2)	
231	201600720094	Gas valve (M2)	
441	202301400377	Wire joint (M2)	
442	201245400027	Wire clamp (M2)	
443	201237490039	Terminal board (M2)	

## Expanded Model Nomenclature

- M1 - MSC092E15MCAA
- M2 - MSC123E15MCAA
- M3 - MSC183E15MCAA
- M4 - MSC243E15MCAA
- M5 - MSH092E15MCAA
- M6 - MSH123E15MCAA
- M7 - MSH183E15MCAA
- M8 - MSH243E15MCAA

# MSC183 Unit Components

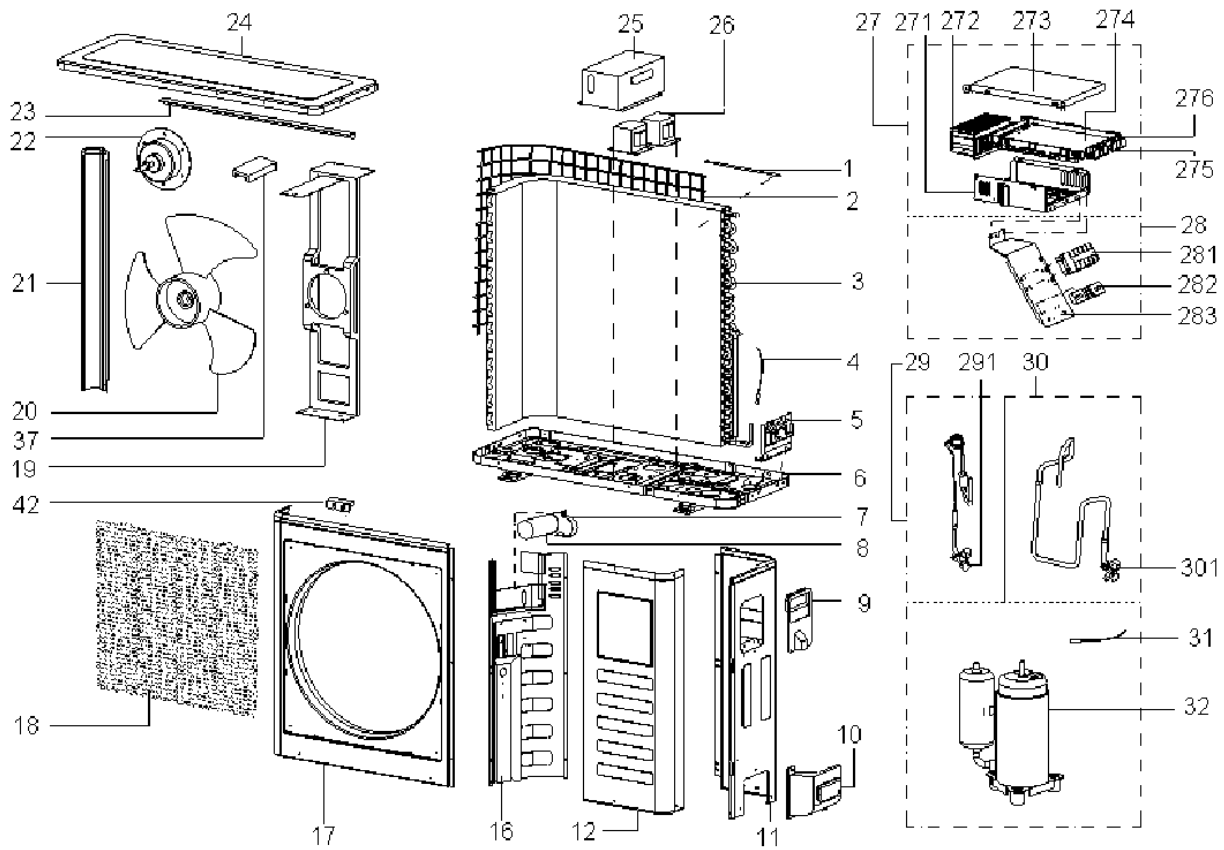


# MSC183 Unit Components

Ref. Part No:	No:	Description:	Ref. Part No:	No:	Description:
<i>Image 1:</i>			Expanded Model Nomenclature		
1	202301310075	Ambient temperature sensor assembly (M3)	M1	-	MSC092E15MCAA
2	2011374G0003	Rear net (M3)	M2	-	MSC123E15MCAA
3	201537890045	Condenser assembly (M3)	M3	-	MSC183E15MCAA
4	202440500004	Pipe temperature sensor assembly (M3)	M4	-	MSC243E15MCAA
5	201237200282	Valve plate (M3)	M5	-	MSH092E15MCAA
6	201237890110	Chassis assembly (M3)	M6	-	MSH123E15MCAA
9	201237390104	Big handle (M3)	M7	-	MSH183E15MCAA
10	201137400000	Water collector (M3)	M8	-	MSH243E15MCAA
11	201237590080	Rear right clapboard assembly (M3)			
16	20123789G003	Partition board assembly (M3)			
17	201237890111	Front panel (M3)			
18	201237890117	Air outlet grille (M3)			
19	201237890080	Supporter assembly of fan motor (M3)			
20	201100300514	Axial flow fan (M3)			
21	201237400400	Left supporter (M3)			
22	202400400171	Asynchronous motor (M3)			
24	201237400405	Top cover assembly (M3)			
25	20123789G002	Cover of inductance (M3)			
26	202301000903	Reactance (M3)			
27	203337890327	Electronic control box assembly (M3)			
28	203337590049	Terminal board assembly (M3)			
29	201637790386	Liquid valve assembly (M3)			
30	201637890914	Gas valve assembly (M3)			
31	202301310068	Discharge temperature sensor assembly (M3)			
32	201400603269	Compressor (M3)			
42	201135110801	Clamp of front net (M3)			
271	201237300033	Electronic control box (M3)			
272	202301990015	Radiator (M3)			
273	201237300162	Cover of electronic control box (M3)			
274	201337790071	Main control board assembly (M3)			
275	201137300162	Supporter of electronic control box (M3)			
276	202401200152	Fan motor capacitor (M3)			
281	202301400223	Wire joint (M3)			
282	201137300185	Insulation plate (M3)			
283	201237590046	Terminal board (M3)			
291	201600740523	Liquid valve (M3)			
301	201600720195	Gas valve (M3)			



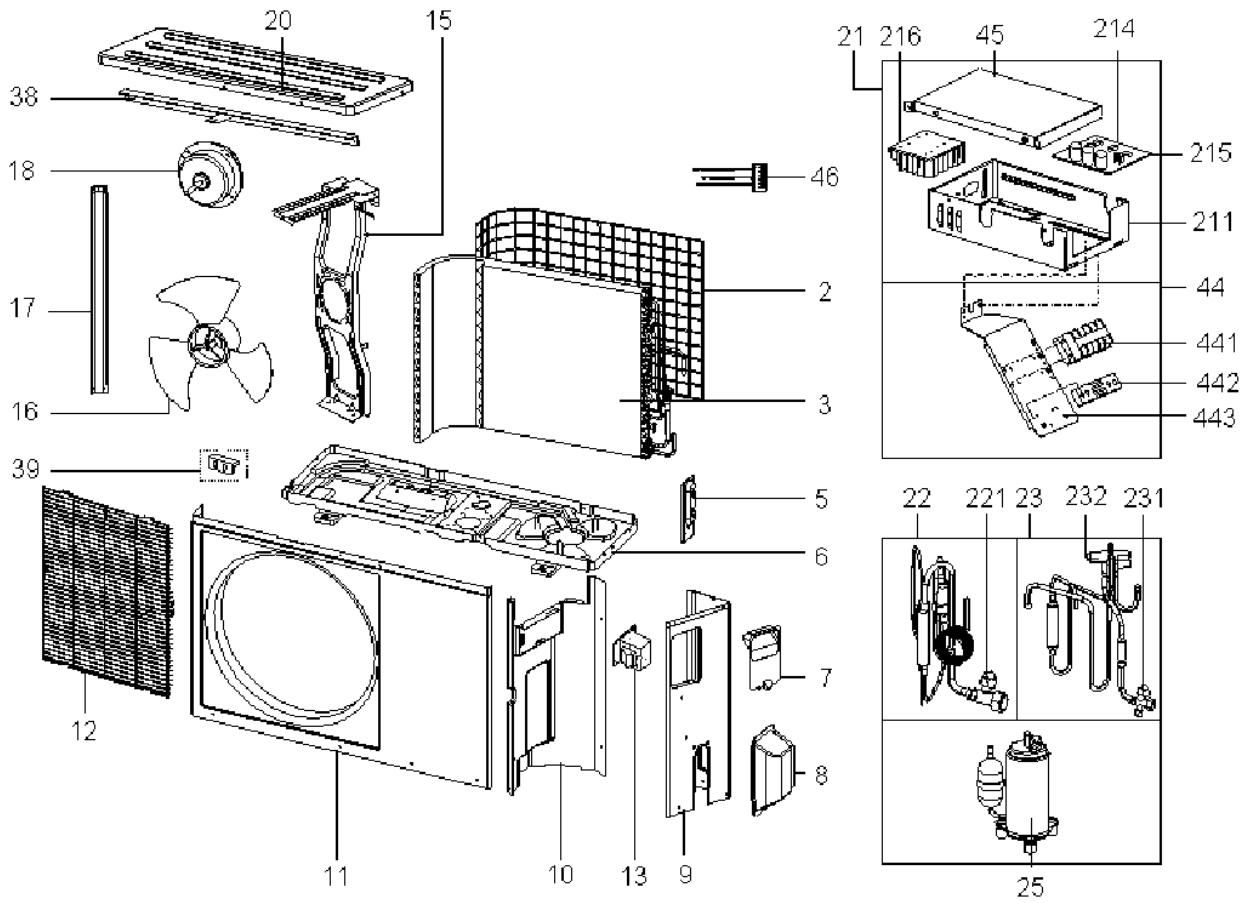
# MSC243 Unit Components



# MSC243 Unit Components

Ref. Part No:	No:	Description:	Ref. Part No:	No:	Description:
<i>Image 1:</i>			Expanded Model Nomenclature		
1	202301310075	Ambient temperature sensor assembly (M4)	M1	MSC092E15MCAA	
2	2011481G0001	Rear net (M4)	M2	MSC123E15MCAA	
3	201537990079	Condenser assembly (M4)	M3	MSC183E15MCAA	
4	202440500004	Pipe temperature sensor assembly (M4)	M4	MSC243E15MCAA	
5	201237300285	Valve plate (M4)	M5	MSH092E15MCAA	
6	201257090054	Chassis assembly (M4)	M6	MSH123E15MCAA	
7	201200100026	Capacitor clip (M4)	M7	MSH183E15MCAA	
8	202401000612	Capacitor of compressor (M4)	M8	MSH243E15MCAA	
9	201237390104	Big handle (M4)			
10	201137390017	Water collector (M4)			
11	201237890100	Rear right clapboard assembly (M4)			
12	201248100389	Front right clapboard assembly (M4)			
16	201237790031	Partition board assembly (M4)			
17	201248100359	Front panel (M4)			
18	201237890112	Air outlet grille (M4)			
19	2012481G0039	Supporter assembly of fan motor (M4)			
20	201100320622	Axial flow fan (M4)			
21	201248100367	Left supporter (M4)			
22	202400401241	Asynchronous motor (M4)			
23	201248100384	Rear supporter (M4)			
24	201248100266	Top cover assembly (M4)			
25	201248090001	Cover of inductance (M4)			
26	202301000819	Reactance (M4)			
26	202301050026	Reactance (M4)			
27	203338090308	Electronic control box assembly (M4)			
28	203337990161	Terminal board assembly (M4)			
29	201638091042	Liquid valve assembly (M4)			
30	201638090643	Gas valve assembly (M4)			
31	202301310068	Discharge temperature sensor assembly (M4)			
32	201400600530	Compressor (M4)			
37	202245500001	Fan motor fixing foam (M4)			
42	201135110801	Clamp of front net (M4)			
271	201237300033	Electronic control box (M4)			
272	202301900112	Radiator (M4)			
273	201237300162	Cover of electronic control box (M4)			
274	201338090066	Main control board assembly (M4)			
275	201137300162	Supporter of electronic control box (M4)			
276	202401200152	Fan motor capacitor (M4)			
281	202301450118	Wire joint (M4)			
282	201137300185	Insulation plate (M4)			
283	201237890064	Terminal board (M4)			
291	201600740704	Liquid valve (M4)			
301	201600720296	Gas valve (M4)			

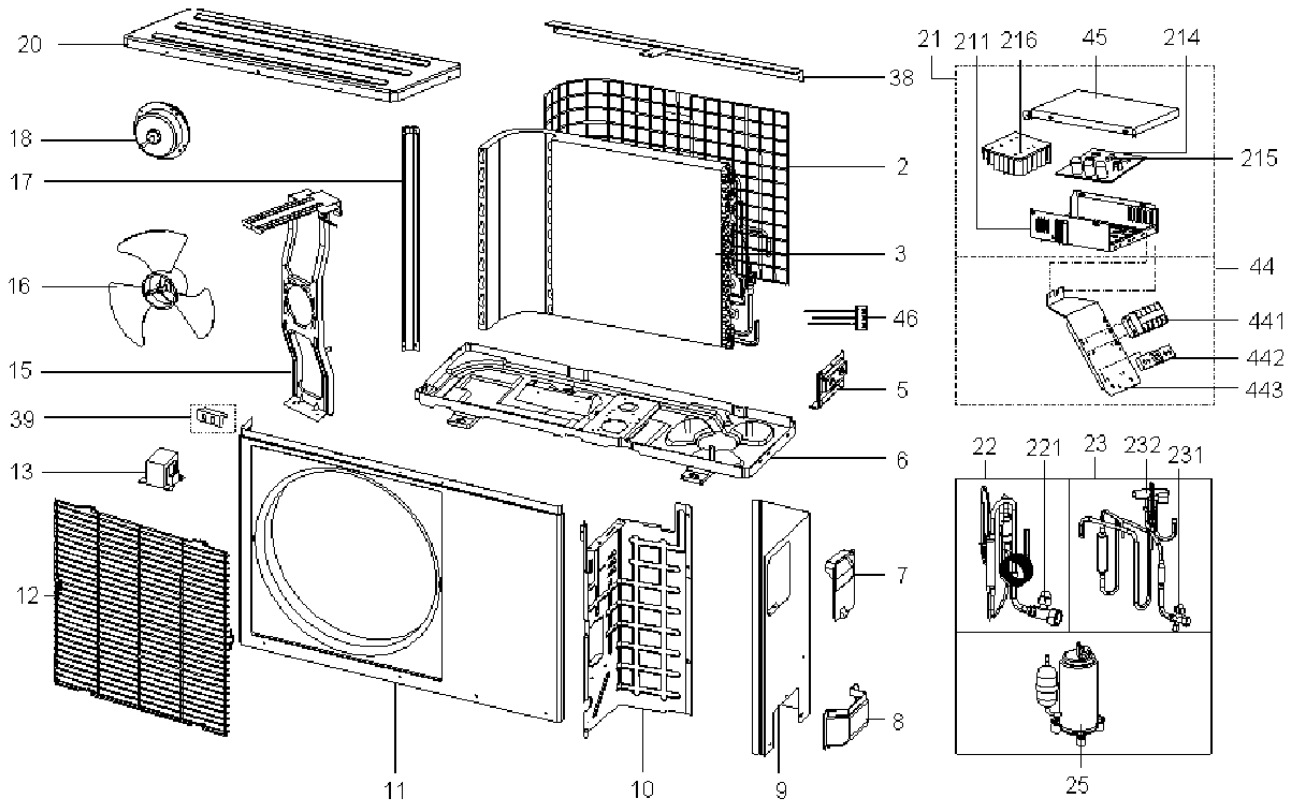
# MSH092 Unit Components



# MSH092 Unit Components

Ref. Part No:	Ref. Part No:	Description:	Description:
<i>Image 1:</i>		Expanded Model Nomenclature	
2	2011372G0003	Rear net (M5)	M1 - MSC092E15MCAA
3	201537390061	Condenser assembly (M5)	M2 - MSC123E15MCAA
5	201237200282	Valve plate (M5)	M3 - MSC183E15MCAA
6	201237390092	Chassis assembly (M5)	M4 - MSC243E15MCAA
7	201237390104	Big handle (M5)	M5 - MSH092E15MCAA
8	201137390016	Water collector (M5)	M6 - MSH123E15MCAA
9	201237390116	Rear right clapboard assembly (M5)	M7 - MSH183E15MCAA
10	201237390117	Partition board assembly (M5)	M8 - MSH243E15MCAA
11	201237090023	Front panel (M5)	
12	201237390105	Air outlet grille (M5)	
13	202301000847	Reactance (M5)	
15	201237200035	Supporter assembly of fan motor (M5)	
16	201100300055	Axial flow fan (M5)	
17	201237200271	Left supporter (M5)	
18	202400401344	Asynchronous motor (M5)	
20	201237200275	Top cover assembly (M5)	
21	203337390222	Electronic control box assembly (M5)	
22	201637391479	liquid valve assembly (M5)	
23	201637391277	4-Ways valve assembly (M5)	
25	201400601230	Compressor (M5)	
38	201237200037	Supporter of fan motor holder (M5)	
39	201135110801	Clamp of front net (M5)	
44	203337390224	Terminal board assembly (M5)	
45	201137490029	Cover of electronic control box (M5)	
46	202301300602	Temperature sensor assembly (M5)	
211	201137490028	Electronic control box (M5)	
214	201337390185	Main control board assembly (M5)	
215	202401100992	capacitor (M5)	
215	202401200152	capacitor (M5)	
216	202301901117	Radiator (M5)	
221	201600740523	Liquid valve (M5)	
231	201600720095	Gas valve (M5)	
232	201600690010	4-Ways valve (M5)	
441	202301400377	Wire joint (M5)	
442	201245400027	Wire clamp (M5)	
443	201237390073	Terminal board (M5)	

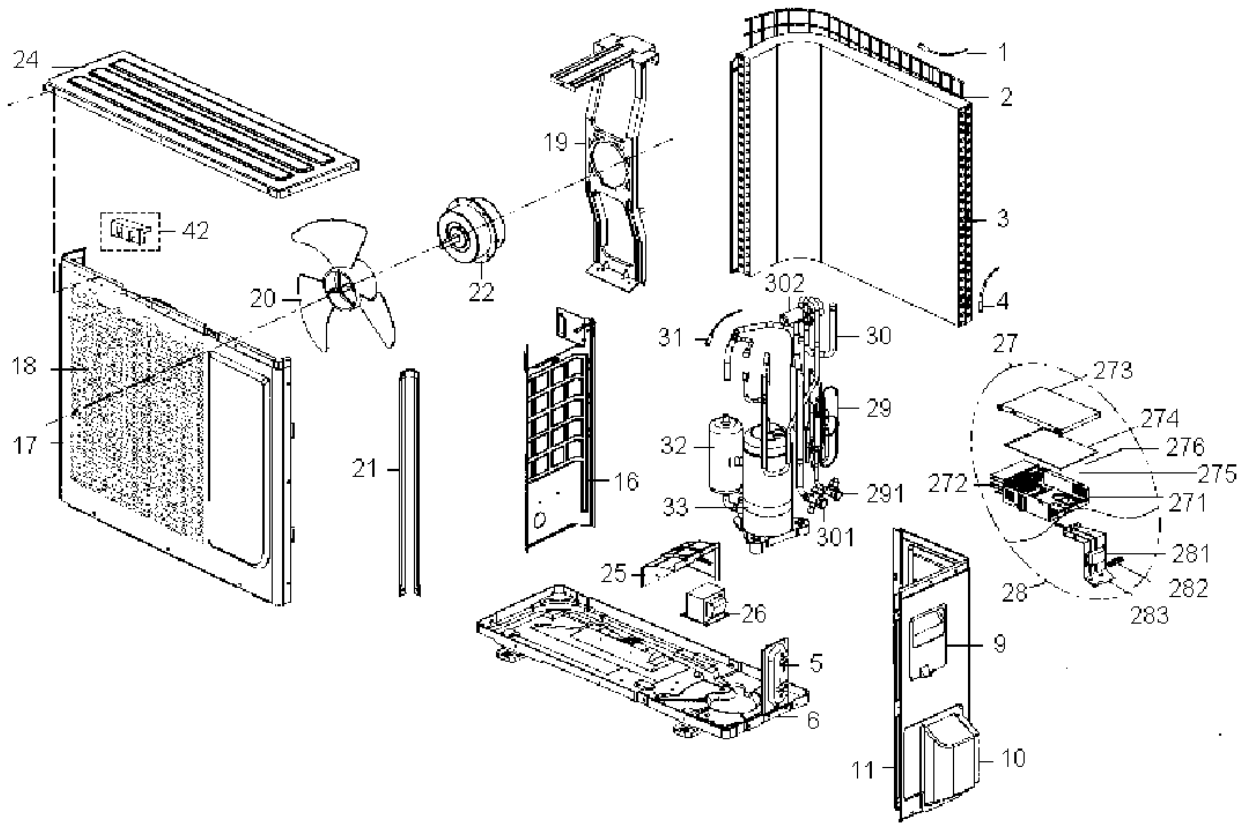
# MSH123E Unit Components



# MSH123E Unit Components

Ref. Part No:	Ref. Part No:	Description:	Description:
<i>Image 1:</i>		Expanded Model Nomenclature	
2	2011376G0001	Rear net (M6)	M1 - MSC092E15MCAA
3	201537591096	Condenser assembly (M6)	M2 - MSC123E15MCAA
5	201237300285	Valve plate (M6)	M3 - MSC183E15MCAA
6	201237400422	Chassis assembly (M6)	M4 - MSC243E15MCAA
7	201237390104	Big handle (M6)	M5 - MSH092E15MCAA
8	201137390017	Water collector (M6)	M6 - MSH123E15MCAA
9	201237390090	Rear right clapboard assembly (M6)	M7 - MSH183E15MCAA
10	201237490025	Partition board assembly (M6)	M8 - MSH243E15MCAA
11	201237400411	Front panel (M6)	
12	201237390105	Air outlet grille (M6)	
13	202301000847	Reactance (M6)	
15	201237400051	Supporter assembly of fan motor (M6)	
16	201100320625	Axial flow fan (M6)	
17	201237400397	Left supporter (M6)	
18	202400401345	Asynchronous motor (M6)	
20	201237400412	Top cover assembly (M6)	
21	203337390222	Electronic control box assembly (M6)	
22	201637591295	liquid valve assembly (M6)	
23	201637591097	4-Ways valve assembly (M6)	
25	201400601230	Compressor (M6)	
38	201237400055	Supporter of fan motor holder (M6)	
39	201135110801	Clamp of front net (M6)	
44	203337490048	Terminal board assembly (M6)	
45	201137490029	Cover of electronic control box (M6)	
46	202301300602	Temperature sensor assembly (M6)	
211	201137490028	Electronic control box (M6)	
214	201337390185	Main control board assembly (M6)	
215	202401100992	capacitor (M6)	
215	202401200152	capacitor (M6)	
216	202301901117	Radiator (M6)	
221	201600700078	Liquid valve (M6)	
231	201600720094	Gas valve (M6)	
232	201600690010	4-Ways valve (M6)	
441	202301400377	Wire joint (M6)	
442	201245400027	Wire clamp (M6)	
443	201237490039	Terminal board (M6)	

# MSH183 Unit Components

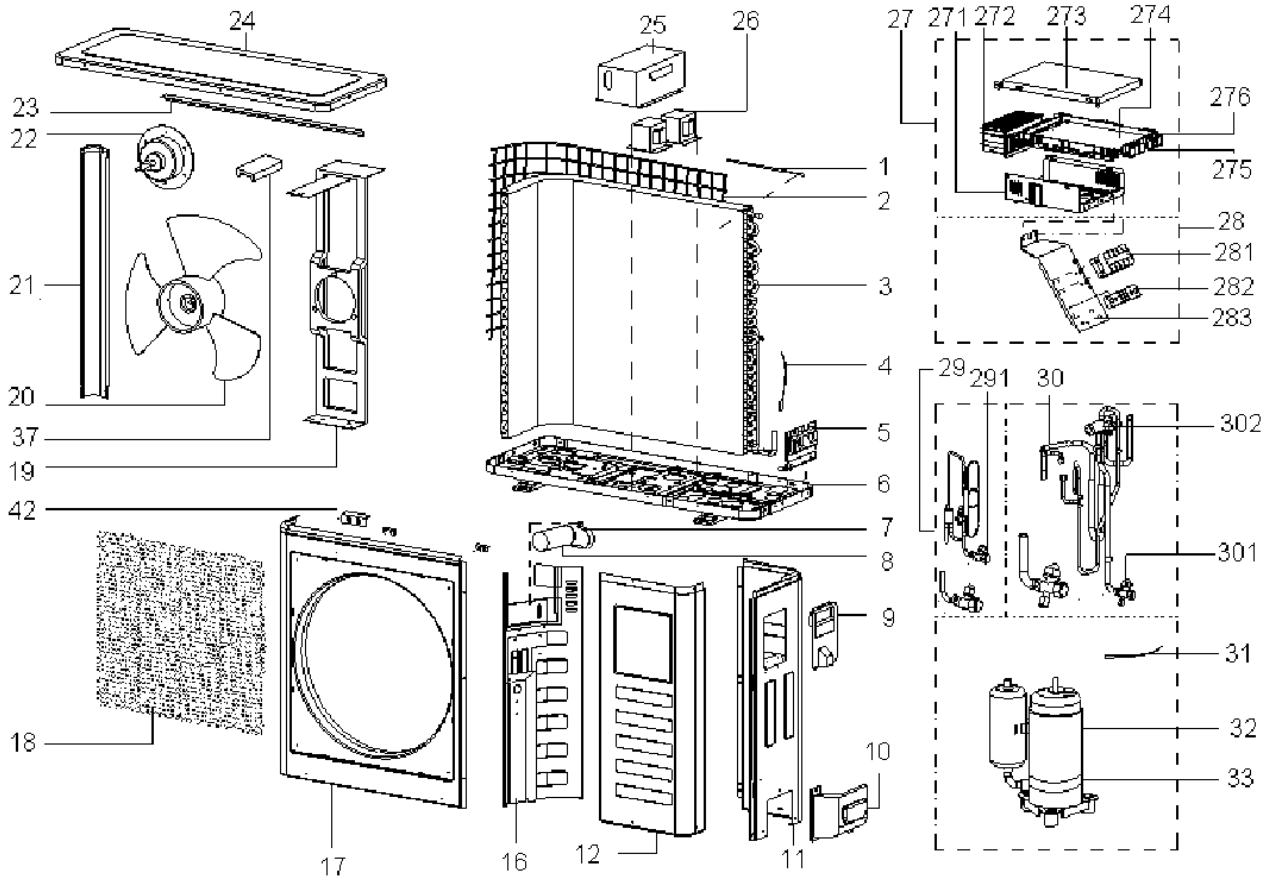


# MSH183 Unit Components

Ref. Part No:	No:	Description:	Ref. Part No:	No:	Description:
<i>Image 1:</i>			Expanded Model Nomenclature		
1	202301310075	Ambient temperature sensor assembly (M7)	M1	MSC092E15MCAA	
2	2011374G0003	Rear net (M7)	M2	MSC123E15MCAA	
3	201537690004	Condenser assembly (M7)	M3	MSC183E15MCAA	
4	202440500004	Pipe temperature sensor assembly (M7)	M4	MSC243E15MCAA	
5	201237200282	Valve plate (M7)	M5	MSH092E15MCAA	
6	201237890110	Chassis assembly (M7)	M6	MSH123E15MCAA	
9	201237390104	Big handle (M7)	M7	MSH183E15MCAA	
10	201137400000	Water collector (M7)	M8	MSH243E15MCAA	
11	201237590080	Rear right clapboard assembly (M7)			
16	20123789G003	Partition board assembly (M7)			
17	201237890111	Front panel (M7)			
18	201237890117	Air outlet grille (M7)			
19	201237890080	Supporter assembly of fan motor (M7)			
20	201100300514	Axial flow fan (M7)			
21	201237400400	Left supporter (M7)			
22	202400400171	Asynchronous motor (M7)			
24	201237400405	Top cover assembly (M7)			
25	20123789G002	Cover of inductance (M7)			
26	202301000903	Reactance (M7)			
27	203337890327	Electronic control box assembly (M7)			
28	203337590049	Terminal board assembly (M7)			
29	201637891215	Liquid valve assembly (M7)			
30	201637790555	4-way valve assembly (M7)			
31	202301310068	Discharge temperature sensor assembly (M7)			
32	201400603269	Compressor (M7)			
33	202403100501	Crankcase electric heater (M7)			
42	201135110801	Clamp of front net (M7)			
271	201237300033	Electronic control box (M7)			
272	202301990015	Radiator (M7)			
273	201237300162	Cover of electronic control box (M7)			
274	201337790071	Main control board assembly (M7)			
275	201137300162	Supporter of electronic control box (M7)			
276	202401200152	Fan motor capacitor (M7)			
281	202301400223	Wire joint (M7)			
282	201137300185	Insulation plate (M7)			
283	201237590046	Terminal board (M7)			
291	201600740523	Liquid valve (M7)			
301	201600720195	Gas valve (M7)			
302	201600690011	4-Ways valve (M7)			



# MSH243 Unit Components



# MSH243 Unit Components

Ref. Part No:	No:	Description:	Ref. Part No:	No:	Description:								
<i>Image 1:</i>			<i>Image 1:</i>										
1	202301310075	Ambient temperature sensor assembly (M8)	302	201600690011	4-Ways valve (M8)								
2	2011481G0001	Rear net (M8)	Expanded Model Nomenclature										
3	201537990071	Condenser assembly (M8)	<table border="1"> <tr><td>M1 - MSC092E15MCAA</td></tr> <tr><td>M2 - MSC123E15MCAA</td></tr> <tr><td>M3 - MSC183E15MCAA</td></tr> <tr><td>M4 - MSC243E15MCAA</td></tr> <tr><td>M5 - MSH092E15MCAA</td></tr> <tr><td>M6 - MSH123E15MCAA</td></tr> <tr><td>M7 - MSH183E15MCAA</td></tr> <tr><td>M8 - MSH243E15MCAA</td></tr> </table>			M1 - MSC092E15MCAA	M2 - MSC123E15MCAA	M3 - MSC183E15MCAA	M4 - MSC243E15MCAA	M5 - MSH092E15MCAA	M6 - MSH123E15MCAA	M7 - MSH183E15MCAA	M8 - MSH243E15MCAA
M1 - MSC092E15MCAA													
M2 - MSC123E15MCAA													
M3 - MSC183E15MCAA													
M4 - MSC243E15MCAA													
M5 - MSH092E15MCAA													
M6 - MSH123E15MCAA													
M7 - MSH183E15MCAA													
M8 - MSH243E15MCAA													
4	202440500004	Pipe temperature sensor assembly (M8)											
5	201237300285	Valve plate (M8)											
6	201257090054	Chassis assembly (M8)											
7	201200100026	Capacitor clip (M8)											
8	202401000612	Capacitor of compressor (M8)											
9	201237390104	Big handle (M8)											
10	201137390017	Water collector (M8)											
11	201237890100	Rear right clapboard assembly (M8)											
12	201248100389	Front right clapboard assembly (M8)											
16	201237790031	Partition board assembly (M8)											
17	201248100359	Front panel (M8)											
18	201237890112	Air outlet grille (M8)											
19	2012481G0039	Supporter assembly of fan motor (M8)											
20	201100320622	Axial flow fan (M8)											
21	201248100367	Left supporter (M8)											
22	202400401241	Asynchronous motor (M8)											
23	201248100384	Rear supporter (M8)											
24	201248100363	Top cover assembly (M8)											
25	201248090001	Cover of inductance (M8)											
26	202301000819	Reactance (M8)											
26	202301050026	Reactance (M8)											
27	203338090308	Electronic control box assembly (M8)											
28	203337990161	Terminal board assembly (M8)											
29	201638091046	Liquid valve assembly (M8)											
30	201638091048	4-way valve assembly (M8)											
31	202301310068	Discharge temperature sensor assembly (M8)											
32	201400600530	Compressor (M8)											
33	202403100501	Crankcase electric heater (M8)											
37	202245500001	Fan motor fixing foam (M8)											
42	201135110801	Clamp of front net (M8)											
271	201237300033	Electronic control box (M8)											
272	202301900112	Radiator (M8)											
273	201237300162	Cover of electronic control box (M8)											
274	201338090066	Main control board assembly (M8)											
275	201137300162	Supporter of electronic control box (M8)											
276	202401200152	Fan motor capacitor (M8)											
281	202301450118	Wire joint (M8)											
282	201137300185	Insulation plate (M8)											
283	201237890064	Terminal board (M8)											
292	201600740704	Liquid valve (M8)											
301	201600720296	Gas valve (M8)											