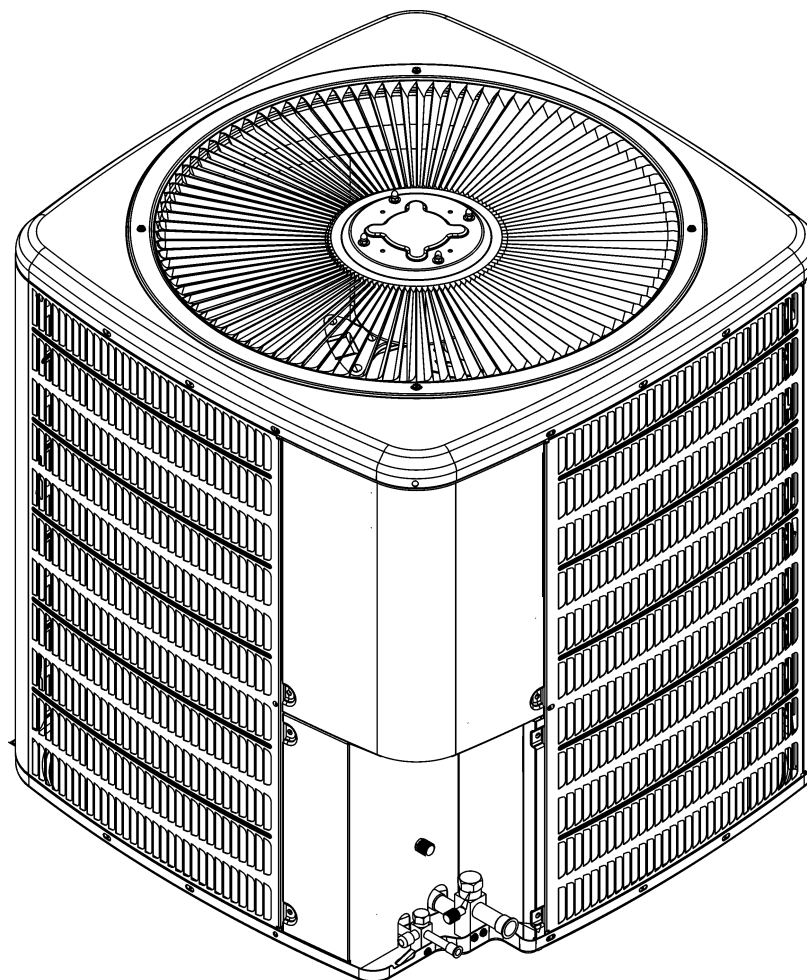


## GSZ16 Remote Heat Pump

GSZ160181BA  
GSZ160241BA  
GSZ160301BA  
GSZ160361BA  
GSZ160421BA  
GSZ160481BA



This manual is to be used by qualified technicians only.

This manual replaces RP-G4007.

# Important Information

---

## Index

Functional Parts List .....	3
Illustration and Parts .....	4 - 9

*Views shown are for parts illustrations only, not servicing procedures*

Ready 15 Heat Pumps  
Rev A: addition of 3.5 ton Ready 15 models.

### Text Codes:

- AR - As Required
- NA - Not Available
- NS - Not Shown
- 00000000 - See Note
- QTY - Quantity Example (QTY 3) (If Quantity not shown, Quantity = 1)
- M - Model Example (M1) (If M Code not shown, then part is used on all Models)

### Expanded Model Nomenclature:

Example M1 - Model#1 M2 - Model#2 M3 - Model#3
---

Goodman Manufacturing Company, L.P. is not responsible for personal injury or property damage resulting from improper service. Review all service information before beginning repairs.

Warranty service must be performed by an authorized technician, using authorized factory parts. If service is required after the warranty expires, Goodman Manufacturing Company, L.P. also recommends contacting an authorized technician and using authorized factory parts.

Goodman Manufacturing Company, L.P. reserves the right to discontinue, or change at any time, specifications or designs without notice or without incurring obligations.

For assistance within the U.S.A. contact:  
Consumer Affairs Department  
Goodman Manufacturing Company, L.P.  
7401 Security Way  
Houston, Texas 77040  
877-254-4729-Telephone  
713-863-2382-Facsimile

For assistance outside the U.S.A. contact:  
International Division  
Goodman Manufacturing Company, L.P.  
7401 Security Way  
Houston, Texas 77040  
713-861-2500-Telephone  
713-863-2382-Facsimile

# Functional Parts

## Part

## No: Description:

---

CSR-U-1	1 TO 3 TON COMPR SAVER 25/CS (M1)
B12825171	3/8" SERVICE VALVE
CAP050300440CS	CAP,5/30MFD/440V/DUAL RD (M1)
CAP050350440CS	CAPACITOR 5/35/440V (M2, M3)
CAP050450440CT	CAPACITOR 5/45/440V/DUAL RD (M4, M5,
ZP14K6EPFV130	COMP, 14,000,208/230/60/1 (M1)
ZP20K6EPFV130	COMP, 20,000,208/230/60/1 (M2)
ZP29K6EPFV130	COMP, 29,000,208/230/60/1 (M4)
ZP34K6EPFV130	COMP, 46500, 208/230/60/1 (M5)
ZP25K6EPFV130	COMP,34200,208/230/60/1 (M3)
ZP39K5EPFV130	COMPRESSOR 39000, 208/230/60/1 (M6)
0131M00018P	COND MOTOR 1/4 HP, 1 SP, 6 PL (M5)
0131M00061	COND MOTOR 1/4 HP, 1 SP, 8 PL (M2, M3, M4, M6)
0131M00060	COND MOTOR 1/6 HP, 1 SP, 8 PL (M1)
CONT1P025024V	CONTACTOR 25 AMP, 1P, 24V (M1, M2, M3, M4)
CONT1P030024V	CONTACTOR 30 AMP, 1P, 24V (M5, M6)
0130M00250	CONTROL, DEFROST
0130M00089	CUT-OUT SWITCH, HIGH PRESSURE
0130M00088	CUT-OUT SWITCH, LOW PRESSURE
PCBDM133	DEFROST CONTROL BOARD
0130M00106	DISC THERMOSTAT(CRNKCS HTR SW)
B1086750	FAN BLADE 22", 3 BLADE, 24° (M5)
10625738	FAN BLADE 26" ALUM CCW (M2, M3, M4, M6)
B1086764	FAN BLADE TYPE 2 (M1)
0163R00007	HEATER, CRANKCASE 230V, 40W (M6)
0163R00006	HEATER, CRANKCASE 230V, 40W (M1, M2, M3, M4, M5)
0151R00071	REVERSING VALVE (M4, M5, M6)
0151R00069	REVERSING VALVE (M1)
0151R00068	REVERSING VALVE (M2, M3)
B1225022	SOLENOID COIL
0151R00032	VALVE, BASE 3/4" OPEN LEFT (M1, M2, M3)
0151R00033	VALVE, SERVICE 7/8" OPEN LEFT (M4, M5, M6)
0151R00121	VALVE, TXV R410A (M1)
0151R00125	VALVE, TXV R-410A (M5)
0151R00124	VALVE, TXV R-410A (M3)
0151R00123	VALVE, TXV R-410A (M4)
0151R00126	VALVE, TXV R-410A (M6)
0151R00122	VALVE, TXV R-410A (M2)

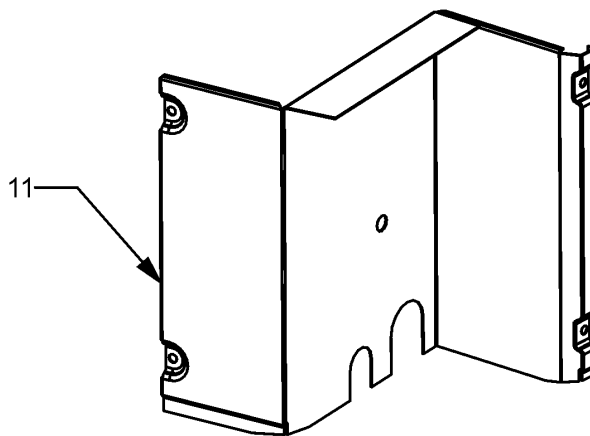
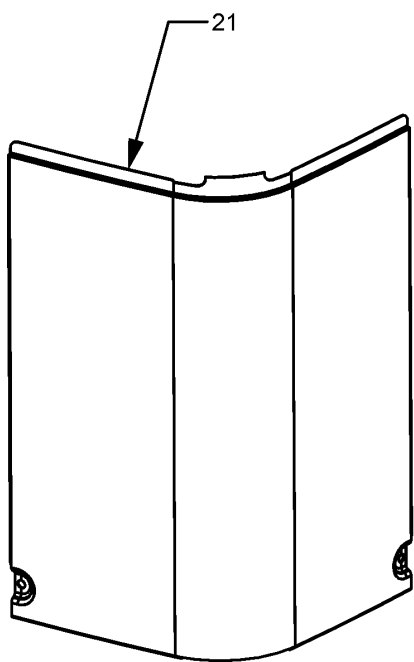
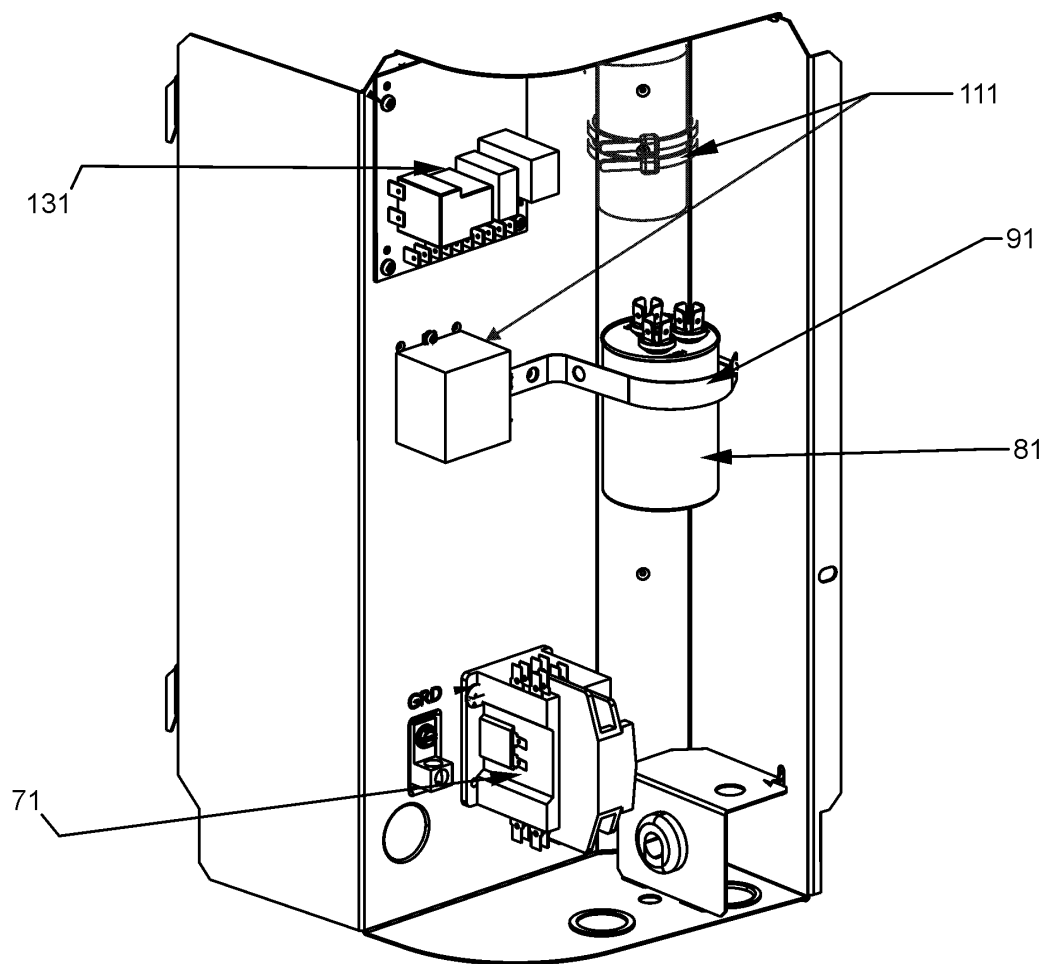
### SPECIAL PARTS

0161R00009P NAMEPLATE

### Expanded Model Nomenclature

M1 - GSZ160181BA
M2 - GSZ160241BA
M3 - GSZ160301BA
M4 - GSZ160361BA
M5 - GSZ160421BA
M6 - GSZ160481BA

# Control Cover / Control Box



# Control Cover / Control Box

Ref. Part No:	No:	Description:	Ref. Part No:	No:	Description:
---------------	-----	--------------	---------------	-----	--------------

---

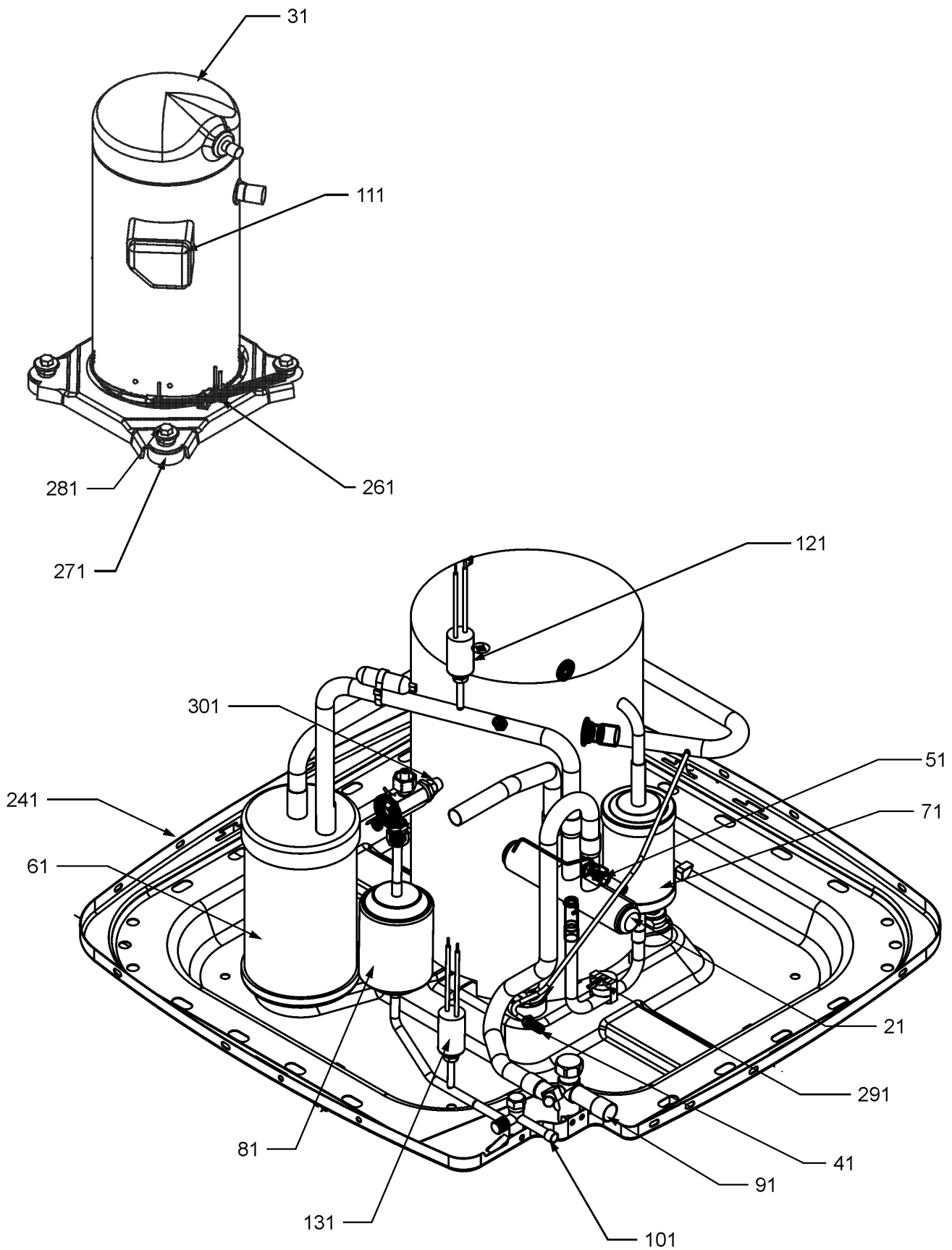
**Image 1:**

11	0121R00154PDG	PANEL, LOWER ACCESS PNT (M1, M5)
11	0121R00328PDG	PANEL, LOWER ACCESS PNT (M4)
11	0121R00625PDG	PANEL, LOWER ACCESS PNT (M2, M3, M6)
21	0121R00053PDG	CONTROL COVER
71	CONT1P025024V	CONTACTOR 25 AMP, 1P, 24V (M1, M2, M3, M4)
71	CONT1P030024V	CONTACTOR 30 AMP, 1P, 24V (M5, M6)
81	CAP050300440CS	CAP.5/30MFD/440V/DUAL RD (M1)
81	CAP050350440CS	CAPACITOR 5/35/440V (M2, M3)
81	CAP050450440CT	CAPACITOR 5/45/440V/DUAL RD (M4, M5, M6)
91	4400065	CAPACITOR STRAP
111	CSR-U-1	1 TO 3 TON COMPR SAVER 25/CS (M1)
131	PCBDM133	DEFROST CONTROL BOARD
NS	0161R00009P	NAMEPLATE

**Expanded Model Nomenclature**

M1 - GSZ160181BA
M2 - GSZ160241BA
M3 - GSZ160301BA
M4 - GSZ160361BA
M5 - GSZ160421BA
M6 - GSZ160481BA

# Compressor / Tubing Assembly/Condenser



# Compressor / Tubing Assembly/Condenser

Ref. Part No: No:	Description:	Ref. Part No: No:	Description:
-------------------	--------------	-------------------	--------------

**Image 1:**

21	0151R00068	REVERSING VALVE (M2, M3)
21	0151R00069	REVERSING VALVE (M1)
21	0151R00071	REVERSING VALVE (M4, M5, M6)
31	ZP14K6EPFV130	COMP, 14,000,208/230/60/1 (M1)
31	ZP20K6EPFV130	COMP, 20,000,208/230/60/1 (M2)
31	ZP29K6EPFV130	COMP, 29,000,208/230/60/1 (M4)
31	ZP34K6EPFV130	COMP, 46500, 208/230/60/1 (M5)
31	ZP25K6EPFV130	COMP,34200,208/230/60/1 (M3)
31	ZP39K5EPFV130	COMPRESSOR 39000, 208/230/60/1 (M6)
41	0163M00175	CAP WITH O-RING
51	0130M00083	REVERSING VALVE HARNESS
61	0151R00004P	ACCUMULATOR .750 (M1)
61	B1226207	ACCUMULATOR .875 (M2, M3, M4, M5, M6)
71	0162R00007	MUFFLER 1/2 X 1/2
81	20485201	BI-FLOW FILTER DRIER
91	0151R00032	VALVE, BASE 3/4" OPEN LEFT (M1, M2, M3)
91	0151R00033	VALVE, SERVICE 7/8" OPEN LEFT (M4, M5, M6)
101	B12825171	3/8" SERVICE VALVE
111	0159R00001P	COMPRESSOR SCROLL HARNESS (M1, M5)
111	0159R00002P	COMPRESSOR SCROLL HARNESS (M2, M3, M4, M6)
121	0130M00088	CUT-OUT SWITCH, LOW PRESSURE
131	0130M00089	CUT-OUT SWITCH, HIGH PRESSURE
241	0121R00006PDG	BASE PAN 29" (M1, M5)
241	0121R00007PDG	BASE PAN 35" (M2, M3, M4, M6)
261	0163R00006	HEATER, CRANKCASE 230V, 40W (M1, M2, M3, M4, M5)
261	0163R00007	HEATER, CRANKCASE 230V, 40W (M6)
271	B1339533	COMPRESSOR GROMMET (QTY 4)
281	M0221641	TF SHOULDER SCREW (QTY 4)
291	0130M00106	DISC THERMOSTAT(CRNKCS HTR SW)
301	0151R00121	VALVE, TXV R410A (M1)
301	0151R00122	VALVE, TXV R-410A (M2)
301	0151R00123	VALVE, TXV R-410A (M4)
301	0151R00124	VALVE, TXV R-410A (M3)
301	0151R00125	VALVE, TXV R-410A (M5)
301	0151R00126	VALVE, TXV R-410A (M6)
NS	0130M00083	REVERSING VALVE HARNESS
NS	B1225022	SOLENOID COIL

**Expanded Model Nomenclature**

- |                  |
|------------------|
| M1 - GSZ160181BA |
| M2 - GSZ160241BA |
| M3 - GSZ160301BA |
| M4 - GSZ160361BA |
| M5 - GSZ160421BA |
| M6 - GSZ160481BA |

# Cabinet Top / Side Panels

IMAGE 1

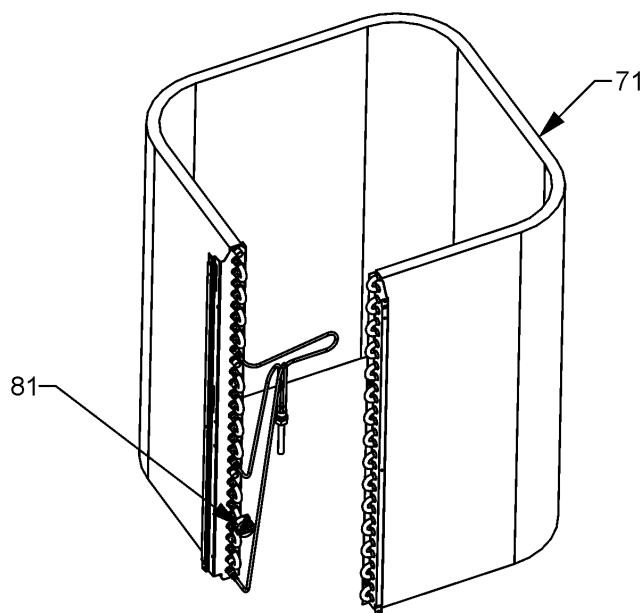
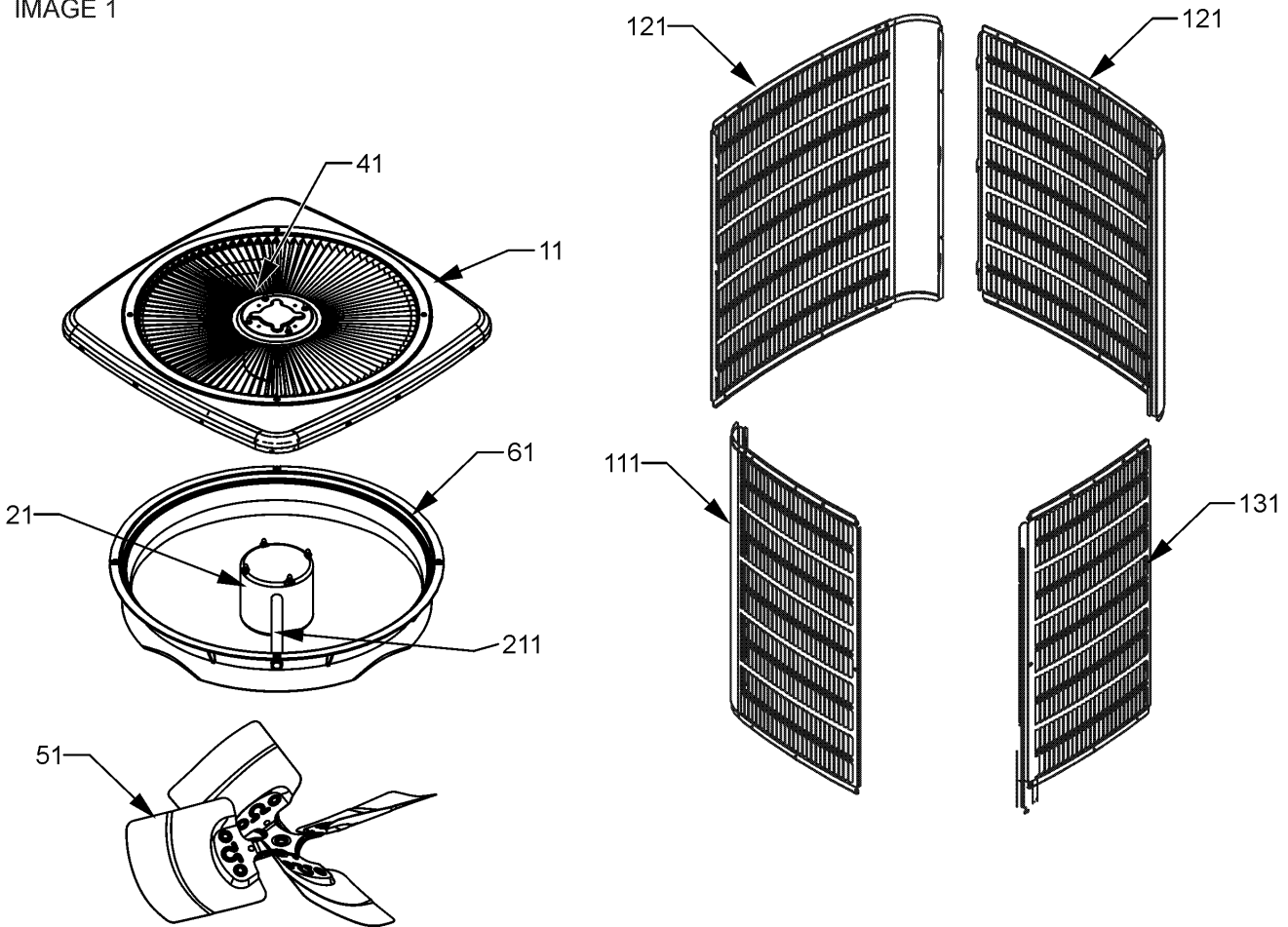
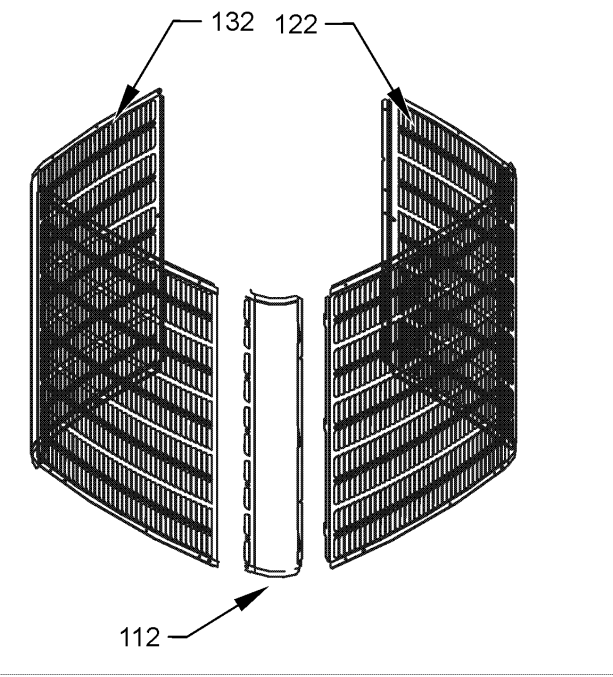


IMAGE 2





# Cabinet Top / Side Panels

Ref. Part No: No:	Description:	Ref. Part No: No:	Description:
-------------------	--------------	-------------------	--------------

**Image 1:**

11	0121R00576PDG	TOP PANEL 29" (M1, M5)
11	0121R00577PDG	TOP PANEL 35" (M2, M3, M4, M6)
21	0131M00018P	COND MOTOR 1/4 HP, 1 SP, 6 PL (M5)
21	0131M00061	COND MOTOR 1/4 HP, 1 SP, 8 PL (M2, M3, M4,
21	0131M00060	COND MOTOR 1/6 HP, 1 SP, 8 PL (M1)
41	M0280801	HEX NUT (QTY 4)
51	B1086750	FAN BLADE 22", 3 BLADE, 24° (M5)
51	10625738	FAN BLADE 26" ALUM CCW (M2, M3, M4, M6)
51	B1086764	FAN BLADE TYPE 2 (M1)
61	0161R00048	MOLDED RING-VENTURI 22 (M1, M5)
61	0161R00049	MOLDED RING-VENTURI 26" (M2, M3, M4, M6)
71	0201R00628	COIL TUBING ASSY (M1)
71	0201R00631	COIL TUBING ASSY (M4)
71	0201R00632	COIL TUBING ASSY (M5)
71	0201R00633	COIL TUBING ASSY (M6)
71	0201R00664	COIL TUBING ASSY (M2, M3)
81	0130M00250	CONTROL, DEFROST
111	0121R00592PDGB	PANEL 1, BENT LOUVER 35_34.64 (M2, M3, M6)
111	0121R00593PDGB	PANEL 1, BENT LOUVER 35_39.84 (M4)
121	0121R00594PDGB	PANEL 2, BENT LOUVER 35_34.64 (M2, M3, M6)
121	0121R00595PDGB	PANEL 2, BENT LOUVER 35_39.84 (M4)
131	0121R00596PDG	PANEL 3, LOUVER 35_34.64 PNT (M2, M3, M6)
131	0121R00597PDG	PANEL 3, LOUVER 35_39.84 PNT (M4)
211	0161R00002P	CONDUIT (M1, M5)
211	0161R00004P	CONDUIT (M2, M3, M4, M6)

**Image 2:**

112	0121R00355PDG	LOUVER POST, PDG 34.88 (M1, M5)
122	0121R00587PDGRS	LOUVER PANEL (M1, M5)
132	0121R00587PDGLS	LOUVER PANEL, 29" CHASSIS, PNT (M1, M5)

**Expanded Model Nomenclature**

M1 - GSZ160181BA
M2 - GSZ160241BA
M3 - GSZ160301BA
M4 - GSZ160361BA
M5 - GSZ160421BA
M6 - GSZ160481BA