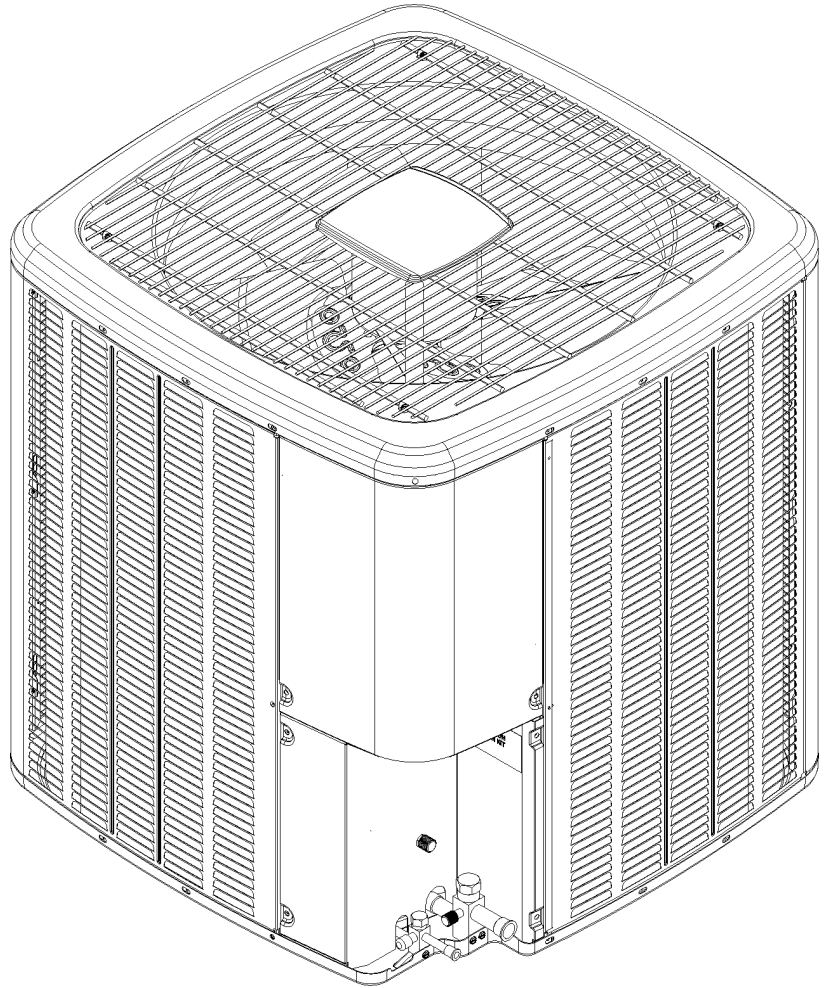


REPAIR PARTS

DSXC16/18 Remote Condensing Units

DSXC160241AA
DSXC160241AB
DSXC160241AC
DSXC160361AA
DSXC160361AB
DSXC160361AC
DSXC160481AA
DSXC160481BA
DSXC160481BB
DSXC160481BC
DSXC160601AA
DSXC160601BA
DSXC160601BB
DSXC160601BC
DSXC180361AA
DSXC180361AB
DSXC180361AC
DSXC180481AA
DSXC180481AB
DSXC180481AC
DSXC180601AA
DSXC180601AB
DSXC180601AC



This manual is to be used by qualified technicians only.

This manual replaces RP-580D.

© 2010,2012-2013 Goodman Manufacturing Company, L.P. ♦ 5151 San Felipe, Suite 500 ♦ Houston, TX 77056

Important Information

Index

Functional Parts List	3
Illustration and Parts	4 - 9

Views shown are for parts illustrations only, not servicing procedures

10-8-14: Missing models added to 3/8" service valve

Text Codes:

AR - As Required

NA - Not Available

NS - Not Shown

00000000 - See Note

QTY - Quantity Example (QTY 3) (If Quantity not shown, Quantity = 1)

M - Model Example (M1) (If M Code not shown, then part is used on all Models)

Expanded Model Nomenclature:

Example M1 - Model#1 M2 - Model#2 M3 - Model#3

Goodman Manufacturing Company, L.P. is not responsible for personal injury or property damage resulting from improper service. Review all service information before beginning repairs.

Warranty service must be performed by an authorized technician, using authorized factory parts. If service is required after the warranty expires, Goodman Manufacturing Company, L.P. also recommends contacting an authorized technician and using authorized factory parts.

Goodman Manufacturing Company, L.P. reserves the right to discontinue, or change at any time, specifications or designs without notice or without incurring obligations.

For assistance within the U.S.A. contact:
Consumer Affairs Department
Goodman Manufacturing Company, L.P.
7401 Security Way
Houston, Texas 77040
877-254-4729-Telephone
713-863-2382-Facsimile

For assistance outside the U.S.A. contact:
International Division
Goodman Manufacturing Company, L.P.
7401 Security Way
Houston, Texas 77040
713-861-2500-Telephone
713-863-2382-Facsimile

Functional Parts

Part

No: Description:

Part No:	Description:	Part No:	Description:
B12825171	3/8" SERVICE VALVE	0130R00028	SHARED DATA (M15, M16, M17)
CAP050300440RS	CAPACITOR 5/30/370V (M10, M20)	0130R00027	SHARED DATA (M11)
CAP050350440R	CAPACITOR 5/35/440V (M1, M2, M3)	0130R00026	SHARED DATA (M7)
CAP050400440CT	CAPACITOR 5/40/440V/DUAL RD (M4, M5, M6, M14, M15, M16, M17, M23)	0130R00024	SHARED DATA (M1, M2, M3)
CAP050450440CT	CAPACITOR 5/45/440V/DUAL RD (M7, M8, M9, M18, M19)	0130R00025	SHARED DATA (M4, M5, M6)
CAP050800440RT	CAPACITOR 5/80/440V (M11, M12, M13, M21, M22)	0151R00032	VALVE, BASE 3/4" OPEN LEFT (M1, M2, M3, M4, M5, M6)
ZPS20K5EPFV130	COMP, 20000,208/230 (M3)	0151R00033	VALVE, SERVICE 7/8" OPEN LEFT (M7, M8, M9, M10, M11, M12, M13, M14, M15, M16, M17, M18, M19, M20, M21, M22, M23)
ZPS51K5EPFV130	COMP, 51900/208/230/60/1 (M23)		
ZPS30K5EPFV130	COMP,30000,208/230 (M6, M15, M16, M17)		
ZPS20K4EPFV230	COMPRESSOR 20000, 208/230/60/1/2STG (M1, M2)		
ZPS30K4EPFV230	COMPRESSOR 30000, 208/230/60/1/2STG (M4, M5)		
ZPS40K4EPFV230	COMPRESSOR 40000, 208/230/60/1/2STG (M7, M8, M9, M18, M19)		
ZPS40K5EPFV130	COMPRESSOR 41100, 208/230/60/1 (M10, M20)		
ZPS49K5EPFV130	COMPRESSOR 49100, 208/230/60/1 (M14)		
ZPS49K4EPFV230	COMPRESSOR 49200, 208/230/60/1/2STG (M12, M13)		
ZPS51K4EPFV230	COMPRESSOR 52000, 208/230/60/1/2STG (M11, M21, M22)		
0131M00115	COND MOTOR 1/6 HP, 2 SP, 8 PL (M7, M8, M9, M10, M11, M12, M13, M14)		
0131M00401	COND MOTOR-ECM (M15, M16, M17, M18, M19, M20, M21, M22, M23)		
PCBGR102	CONTROL BOARD, 2-STG		
0130R00002	CUT-OUT SWITCH, LOW PRESSURE (M1, M4, M7, M15, M18, M21)		
0150M00008	FAN BLADE 22" TNT2203-25 (M1, M2, M3)		
0150M00010	FAN BLADE 26" ALUM CCW (M15, M16, M17, M18, M19, M20, M21, M22, M23)		
10625738	FAN BLADE 26" ALUM CCW (M7, M8, M9, M10, M11, M12, M13, M14)		
B1086764	FAN BLADE TYPE 2 (M4, M5, M6)		
0130R00003	HIGH PRESSURE SWITCH		
0130M00086	LOW PRESSURE SWITCH (M2, M3, M5, M6, M8, M9, M10, M11, M12, M13, M14, M16, M17, M19, M20, M22, M23)		
0131M00117	MOTOR, 1/6HP, 2SP, 8PL (M1, M2, M3)		
0131M00118	MOTOR, 1/6HP, 2SP, 8PL (M4, M5, M6)		
0130M00054	OUTDOOR AIR TEMP SENSOR		
0130R00043	SHARED DATA (M12, M13, M14)		
0130R00041	SHARED DATA (M8, M9, M10)		
0130R00030	SHARED DATA (M21, M22, M23)		
0130R00029	SHARED DATA (M18, M19, M20)		

SPECIAL PARTS

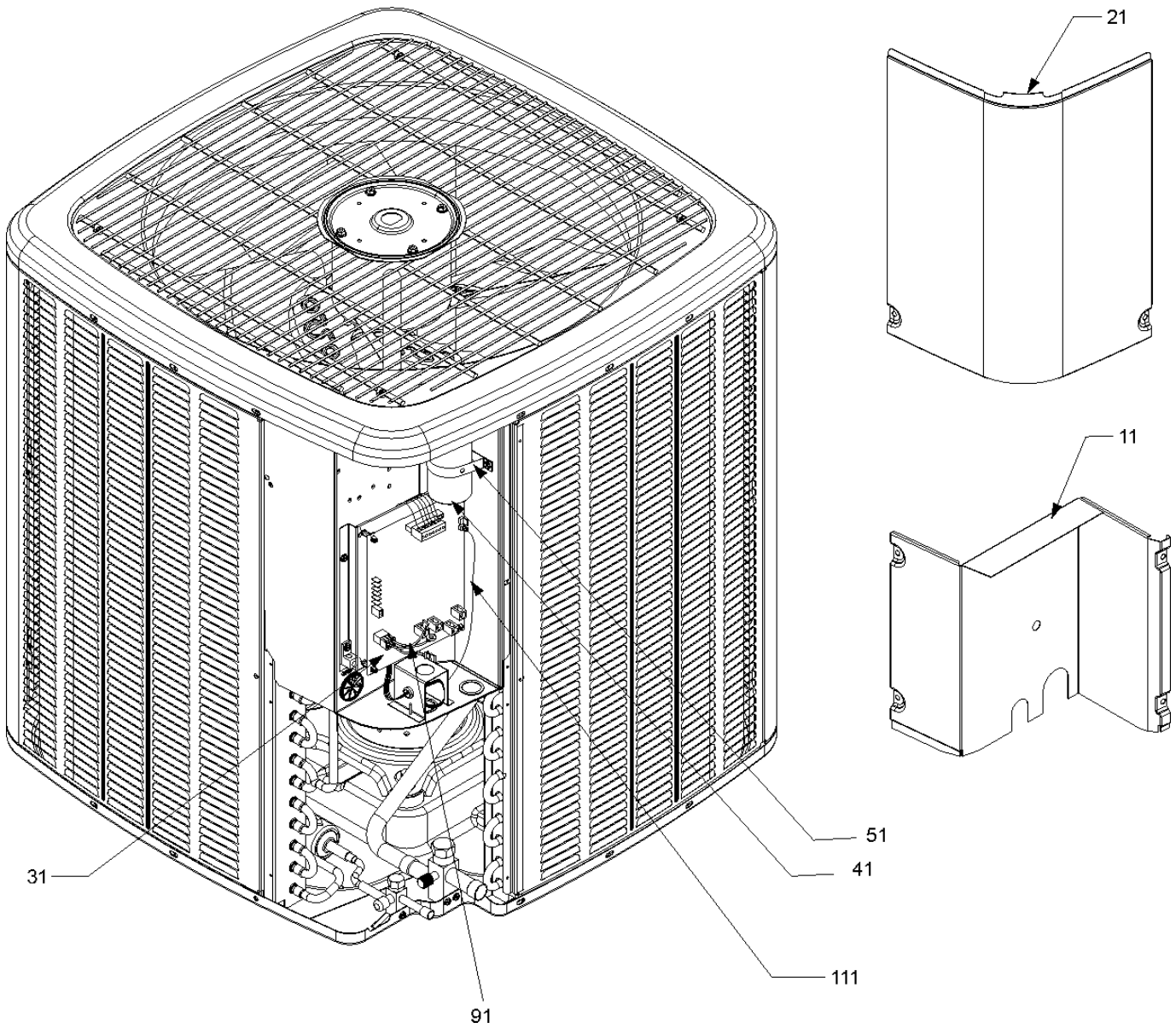
0161R00009P NAMEPLATE

Expanded Model Nomenclature

M1 - DSXC160241AA
M2 - DSXC160241AB
M3 - DSXC160241AC
M4 - DSXC160361AA
M5 - DSXC160361AB
M6 - DSXC160361AC
M7 - DSXC160481AA
M8 - DSXC160481BA
M9 - DSXC160481BB
M10 - DSXC160481BC
M11 - DSXC160601AA
M12 - DSXC160601BA
M13 - DSXC160601BB
M14 - DSXC160601BC
M15 - DSXC180361AA
M16 - DSXC180361AB
M17 - DSXC180361AC
M18 - DSXC180481AA
M19 - DSXC180481AB
M20 - DSXC180481AC
M21 - DSXC180601AA
M22 - DSXC180601AB
M23 - DSXC180601AC

Control Cover / Control Box

*If end bells are needed please order the following:
0131M00182 - 1/2 HP
0131M00183 - 3/4 HP
0131M00184 - 1 HP

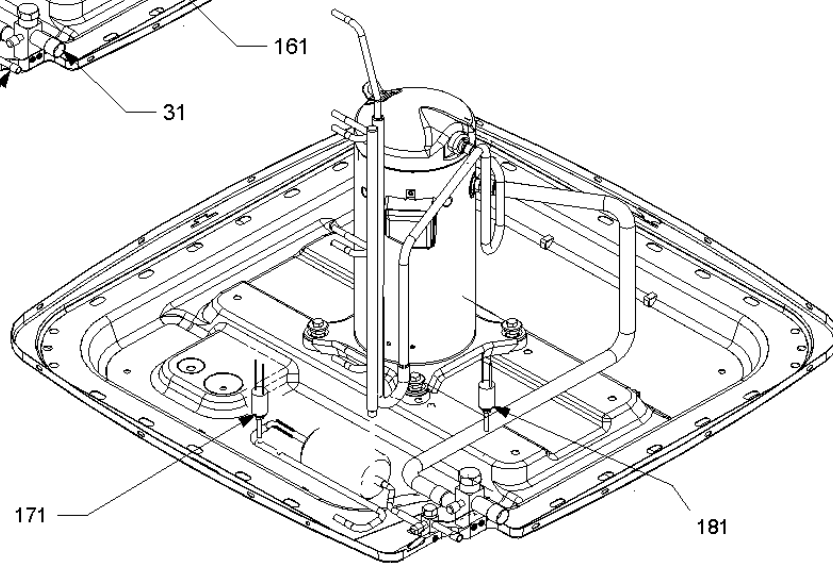
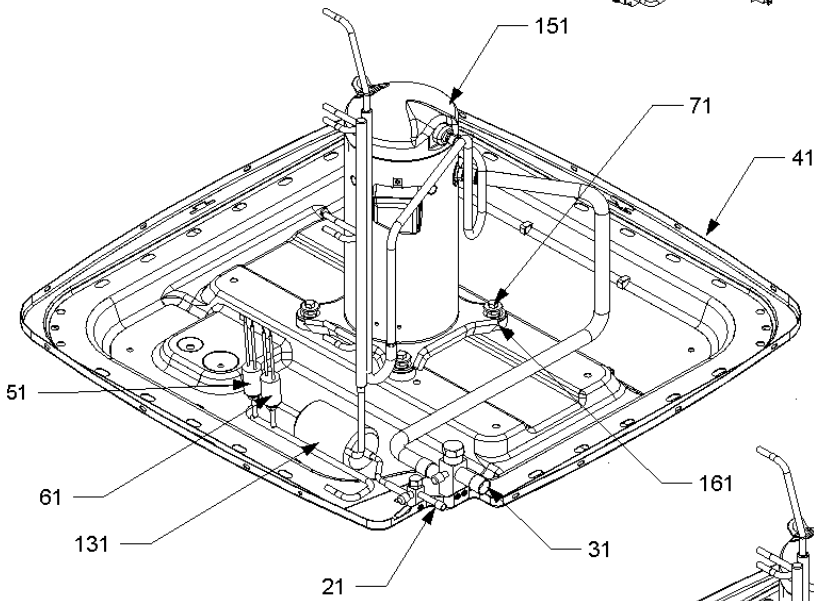
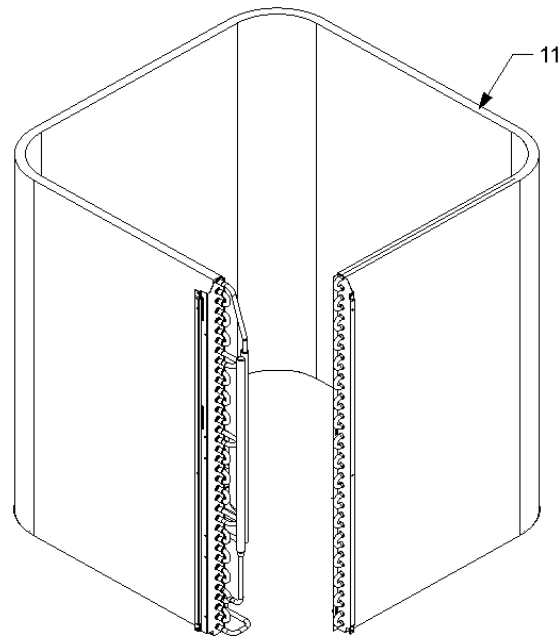


Control Cover / Control Box

Ref. Part No: No:	Description:	Ref. Part No: No:	Description:
<i>Image 1:</i>		Expanded Model Nomenclature	
11	0121R00315PDG	PANEL, LOWER ACCESS PNT (M8, M9, M10)	M1 - DSXC160241AA
11	0121R00317PDG	PANEL, LOWER ACCESS PNT (M7, M11, M12, M13, M14, M15, M16, M17, M18, M19, M20, M21, M22, M23)	M2 - DSXC160241AB
11	0121R00322PDG	PANEL, LOWER ACCESS PNT (M1, M2, M3, M4, M5, M6)	M3 - DSXC160241AC
21	0121R00053PDG	CONTROL COVER (M1, M2, M3, M4, M5, M6)	M4 - DSXC160361AA
21	0121R00054PDG	CONTROL COVER (M7, M8, M9, M10, M11, M12, M13, M14, M15, M16, M17, M18, M19, M20, M21, M22, M23)	M5 - DSXC160361AB
31	PCBGR102	CONTROL BOARD, 2-STG	M6 - DSXC160361AC
41	CAP050300440RS	CAPACITOR 5/30/370V (M10, M20)	M7 - DSXC160481AA
41	CAP050350440R	CAPACITOR 5/35/440V (M1, M2, M3)	M8 - DSXC160481BA
41	CAP050400440CT	CAPACITOR 5/40/440V/DUAL RD (M4, M5, M6, M14, M15, M16, M17, M23)	M9 - DSXC160481BB
41	CAP050450440CT	CAPACITOR 5/45/440V/DUAL RD (M7, M8, M9, M18, M19)	M10 - DSXC160481BC
41	CAP050800440RT	CAPACITOR 5/80/440V (M11, M12, M13, M21, M22)	M11 - DSXC160601AA
51	0121R00213	CAPACITOR STRAP (QTY 2)	M12 - DSXC160601BA
91	0159R00011	WIRE ASSEMBLY, ECM MOTOR (M15, M16, M17, M18, M19, M20, M21, M22, M23)	M13 - DSXC160601BB
91	0159R00010	WIRE ASSEMBLY, PSC MOTOR (M1, M2, M3, M4, M5, M6, M7, M8, M9, M10, M11, M12, M13, M14)	M14 - DSXC160601BC
111	0130M00054	OUTDOOR AIR TEMP SENSOR	M15 - DSXC180361AA
NS	0161R00009P	NAMEPLATE	M16 - DSXC180361AB
NS	0130R00024	SHARED DATA (M1, M2, M3)	M17 - DSXC180361AC
NS	0130R00025	SHARED DATA (M4, M5, M6)	M18 - DSXC180481AA
NS	0130R00026	SHARED DATA (M7)	M19 - DSXC180481AB
NS	0130R00027	SHARED DATA (M11)	M20 - DSXC180481AC
NS	0130R00028	SHARED DATA (M15, M16, M17)	M21 - DSXC180601AA
NS	0130R00029	SHARED DATA (M18, M19, M20)	M22 - DSXC180601AB
NS	0130R00030	SHARED DATA (M21, M22, M23)	M23 - DSXC180601AC
NS	0130R00041	SHARED DATA (M8, M9, M10)	
NS	0130R00043	SHARED DATA (M12, M13, M14)	

*If end bells are needed please order the following:
 0131M00182 - 1/2 HP
 0131M00183 - 3/4 HP
 0131M00184 - 1 HP

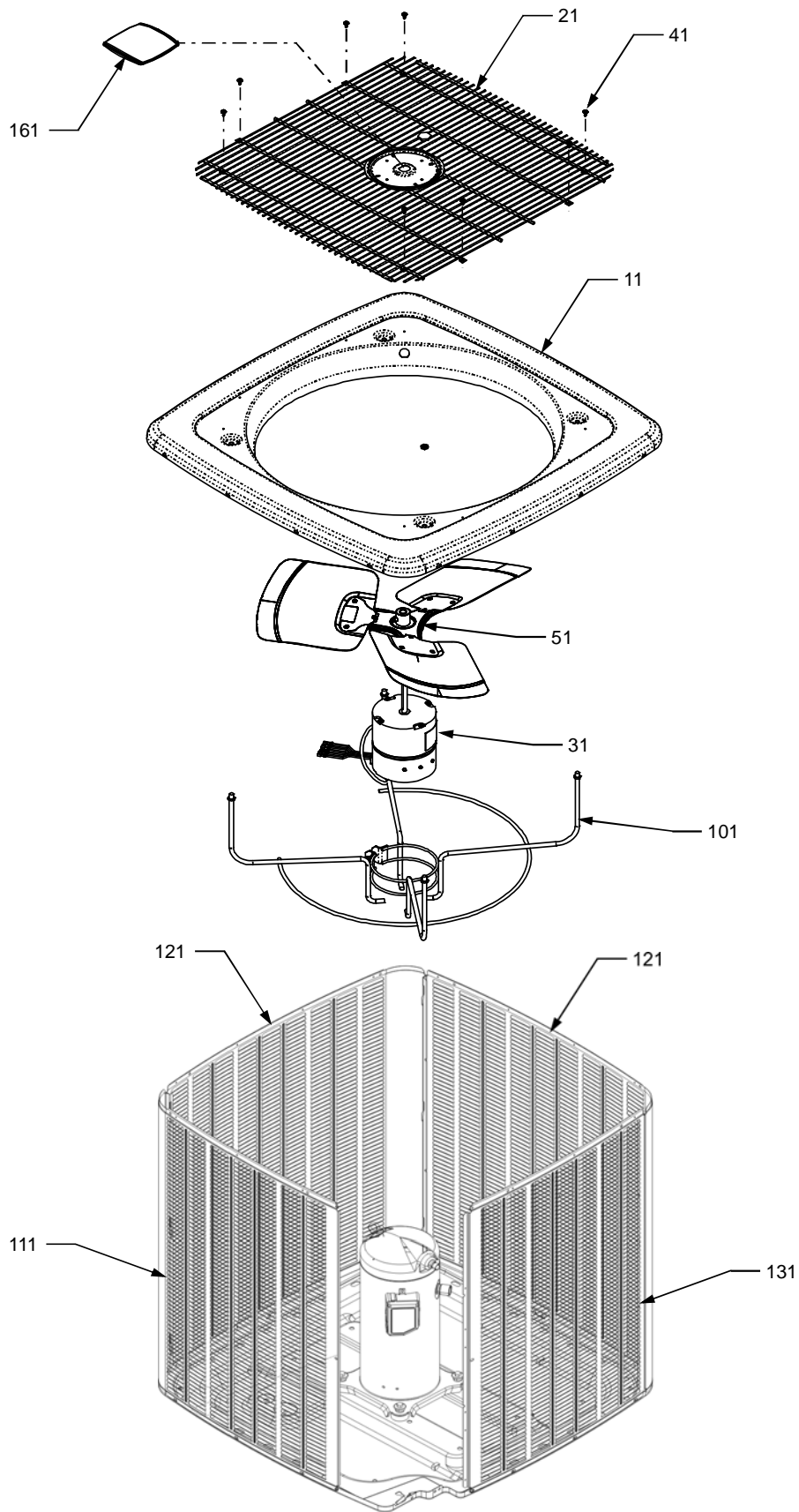
Basepan / Compressor / Tubing Assembly



Basepan / Compressor / Tubing Assembly

Ref. Part No: No:	Description:	Ref. Part No: No:	Description:
<i>Image 1:</i>		Expanded Model Nomenclature	
11	0201R00047 TUBING ASSY, COND COIL (M7, M11, M12, M13, M14, M15, M16, M17)	M1 - DSXC160241AA	
11	0201R00137 TUBING ASSY, COND COIL (M18, M19, M20, M21, M22, M23)	M2 - DSXC160241AB	
11	0201R00296 TUBING ASSY, COND COIL (M1, M2, M3, M4, M5, M6)	M3 - DSXC160241AC	
11	0201R00311 TUBING ASSY, COND COIL (M8, M9, M10)	M4 - DSXC160361AA	
21	B12825171 3/8" SERVICE VALVE	M5 - DSXC160361AB	
31	0151R00032 VALVE, BASE 3/4" OPEN LEFT (M1, M2, M3, M4, M5, M6)	M6 - DSXC160361AC	
31	0151R00033 VALVE, SERVICE 7/8" OPEN LEFT (M7, M8, M9, M10, M11, M12, M13, M14, M15, M16, M17, M18, M19, M20, M21, M22, M23)	M7 - DSXC160481AA	
41	0121R00006PDG BASE PAN 29" (M1, M2, M3, M4, M5, M6)	M8 - DSXC160481BA	
41	0121R00007PDG BASE PAN 35" (M7, M8, M9, M10, M11, M12, M13, M14, M15, M16, M17, M18, M19, M20, M21, M22, M23)	M9 - DSXC160481BB	
51	0130R00002 CUT-OUT SWITCH, LOW PRESSURE (M1, M4, M7, M15, M18, M21)	M10 - DSXC160481BC	
61	0130R00003 HIGH PRESSURE SWITCH (M1, M4, M7, M15, M18, M21)	M11 - DSXC160601AA	
71	M0221641 TF SHOULDER SCREW (QTY 4)	M12 - DSXC160601BA	
131	0162R00009 FILTER DRIER	M13 - DSXC160601BB	
151	ZPS20K5EPFV130 COMP, 20000,208/230 (M3)	M14 - DSXC160601BC	
151	ZPS51K5EPFV130 COMP, 51900/208/230/60/1 (M23)	M15 - DSXC180361AA	
151	ZPS30K5EPFV130 COMP,30000,208/230 (M6, M15, M16, M17)	M16 - DSXC180361AB	
151	ZPS20K4EPFV230 COMPRESSOR 20000, 208/230/60/1/2STG (M1, M2)	M17 - DSXC180361AC	
151	ZPS30K4EPFV230 COMPRESSOR 30000, 208/230/60/1/2STG (M4, M5)	M18 - DSXC180481AA	
151	ZPS40K4EPFV230 COMPRESSOR 40000, 208/230/60/1/2STG (M7, M8, M9, M18, M19)	M19 - DSXC180481AB	
151	ZPS40K5EPFV130 COMPRESSOR 41100, 208/230/60/1 (M10, M20)	M20 - DSXC180481AC	
151	ZPS49K5EPFV130 COMPRESSOR 49100, 208/230/60/1 (M14)	M21 - DSXC180601AA	
151	ZPS49K4EPFV230 COMPRESSOR 49200, 208/230/60/1/2STG (M12, M13)	M22 - DSXC180601AB	
151	ZPS51K4EPFV230 COMPRESSOR 52000, 208/230/60/1/2STG (M11, M21, M22)	M23 - DSXC180601AC	
161	0164M00018 COMPRESSOR GROMMET (M15, M16, M17, M18, M19, M20, M21, M22, M23)		
161	B1339533 COMPRESSOR GROMMET (M1, M2, M3, M4, M5, M6, M7, M8, M9, M10, M11, M12, M13, M14)		
171	0130R00003 CUT-OUT SWITCH, HIGH PRESSURE (M2, M3, M5, M6, M8, M9, M10, M11, M12, M13, M14, M16, M17, M19, M20, M22, M23)		
181	0130M00086 LOW PRESSURE SWITCH (M2, M3, M5, M6, M8, M9, M10, M11, M12, M13, M14, M16, M17, M19, M20, M22, M23)		
NS	0130M00005P WIRE HARNESS, COMPRESSOR SOLENOID		

Cabinet Top / Side Panels



Cabinet Top / Side Panels

Ref. Part No:	Description:	Ref. Part No:	Description:
<i>Image 1:</i>		Expanded Model Nomenclature	
11	0121R00011PDG VENTURI TOP PANEL 29" (M1, M2, M3, M4, M5, M6)	M1 - DSXC160241AA	
11	0121R00013PDG VENTURI TOP PANEL 35" (M7, M8, M9, M10, M11, M12, M13, M14, M15, M16, M17, M18, M19, M20, M21, M22, M23)	M2 - DSXC160241AB	
21	0152R00011 GRILLE, WIRE 29" TOP (M1, M2, M3, M4, M5, M6)	M3 - DSXC160241AC	
21	0152R00012 GRILLE, WIRE 35" TOP (M7, M8, M9, M10, M11, M12, M13, M14, M15, M16, M17, M18, M19, M20, M21, M22, M23)	M4 - DSXC160361AA	
31	0131M00115 COND MOTOR 1/6 HP, 2 SP, 8 PL (M7, M8, M9, M10, M11, M12, M13, M14)	M5 - DSXC160361AB	
31	0131M00401 COND MOTOR-ECM (M15, M16, M17, M18, M19, M20, M21, M22, M23)	M6 - DSXC160361AC	
31	0131M00117 MOTOR, 1/6HP, 2SP, 8PL (M1, M2, M3)	M7 - DSXC160481AA	
31	0131M00118 MOTOR, 1/6HP, 2SP, 8PL (M4, M5, M6)	M8 - DSXC160481BA	
41	0163M00003P SCREW #10 X 1/2, A, SLOT, SR, BLACK (QTY 4)	M9 - DSXC160481BB	
51	0150M00008 FAN BLADE 22" TNT2203-25 (M1, M2, M3)	M10 - DSXC160481BC	
51	0150M00010 FAN BLADE 26" ALUM CCW (M15, M16, M17, M18, M19, M20, M21, M22, M23)	M11 - DSXC160601AA	
51	10625738 FAN BLADE 26" ALUM CCW (M7, M8, M9, M10, M11, M12, M13, M14)	M12 - DSXC160601BA	
51	B1086764 FAN BLADE TYPE 2 (M4, M5, M6)	M13 - DSXC160601BB	
101	0121R00301 BRACKET, MOTOR MOUNT (M15, M16, M17, M18, M19, M20, M21, M22, M23)	M14 - DSXC160601BC	
111	0121R00043PDGB LOUVERED SIDE PANEL [LT OF CNTL PNL] (M7, M11, M12, M13, M14)	M15 - DSXC180361AA	
111	0121R00125PDGB LOUVERED SIDE PANEL [LT OF CNTL PNL] (M1, M2, M3, M4, M5, M6)	M16 - DSXC180361AB	
111	0121R00228PDGB LOUVERED SIDE PANEL [LT OF CNTL PNL] (M8, M9, M10)	M17 - DSXC180361AC	
111	0270R00484DGB LOUVERED SIDE PANEL [LT OF CNTL PNL] (M15, M16, M17, M18, M19, M20, M21, M22, M23)	M18 - DSXC180481AA	
121	0121R00047PDGB LOUVERED SIDE PANEL (M7, M11, M12, M13, M14)	M19 - DSXC180481AB	
121	0121R00132PDGB LOUVERED SIDE PANEL (M1, M2, M3, M4, M5, M6)	M20 - DSXC180481AC	
121	0121R00231PDGB LOUVERED SIDE PANEL (M8, M9, M10)	M21 - DSXC180601AA	
121	0270R00485DGB LOUVERED SIDE PANEL (M15, M16, M17, M18, M19, M20, M21, M22, M23)	M22 - DSXC180601AB	
131	0121R00139PDG LOUVERED SIDE PANEL [RT OF CNTL PNL] (M1, M2, M3, M4, M5, M6)	M23 - DSXC180601AC	
131	0121R00051PDG LOUVERED SIDE PANEL [RT OF CNTL PNL] (M7, M11, M12, M13, M14)		
131	0121R00234PDG LOUVERED SIDE PANEL [RT OF CNTL PNL] (M8, M9, M10)		
131	0270R00486DG LOUVERED SIDE PANEL [RT OF CNTL PNL] (M15, M16, M17, M18, M19, M20, M21, M22, M23)		
161	0161R00024 GRILL CAP		
NS	0161R00002P CONDUIT (M1, M2, M3, M4, M5, M6)		
NS	0161R00004P CONDUIT (M7, M8, M9, M10, M11, M12, M13, M14)		