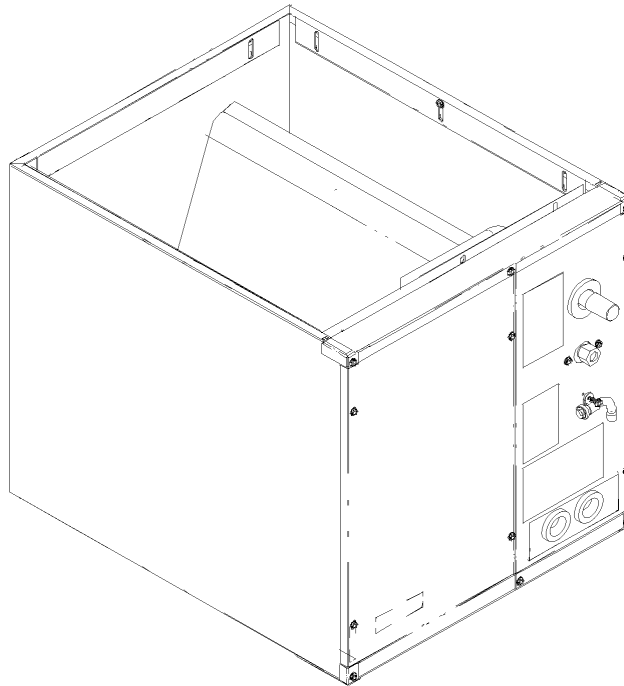


# REPAIR PARTS

## CAPF\*6A 13 SEER Cased Coils

CAPF1824A6AA  
CAPF1824B6AA  
CAPF1824C6AA  
CAPF3030A6AA  
CAPF3030B6AA  
CAPF3030C6AA  
CAPF3030D6AA  
CAPF3131B6AA  
CAPF3131C6AA  
CAPF3636A6AA  
CAPF3636B6AA  
CAPF3636C6AA  
CAPF3636D6AA  
CAPF3642C6AA  
CAPF3642D6AA  
CAPF4860C6AA  
CAPF4860D6AA



Goodman Manufacturing Company, L.P.  
5151 San Felipe, Suite 500  
Houston, TX 77056

[www.goodmanmfg.com](http://www.goodmanmfg.com) [www.amana-hac.com](http://www.amana-hac.com)

RP-378C  
May 2007

# Important Information

---

## Index

Functional Parts List .....	3
Illustration and Parts .....	4 - 5

*Views shown are for parts illustrations only, not servicing procedures*

Rev. B: Removed flowrators.

If a replacement coil is needed, please refer to the corresponding uncased coil.

### Text Codes:

AR - As Required

NA - Not Available

NS - Not Shown

00000000 - See Note

QTY - Quantity Example (QTY 3) (If Quantity not shown, Quantity = 1)

M - Model Example (M1) (If M Code not shown, then part is used on all Models)

### Expanded Model Nomenclature:

Example M1 - Model#1 M2 - Model#2 M3 - Model#3
---

Goodman Manufacturing Company, L.P. is not responsible for personal injury or property damage resulting from improper service. Review all service information before beginning repairs.

Warranty service must be performed by an authorized technician, using authorized factory parts. If service is required after the warranty expires, Goodman Manufacturing Company, L.P. also recommends contacting an authorized technician and using authorized factory parts.

Goodman Manufacturing Company, L.P. reserves the right to discontinue, or change at any time, specifications or designs without notice or without incurring obligations.

For assistance within the U.S.A. contact:  
Consumer Affairs Department  
Goodman Manufacturing Company, L.P.  
7401 Security Way  
Houston, Texas 77040  
877-254-4729-Telephone  
713-863-2382-Facsimile

For assistance outside the U.S.A. contact:  
International Division  
Goodman Manufacturing Company, L.P.  
7401 Security Way  
Houston, Texas 77040  
713-861-2500-Telephone  
713-863-2382-Facsimile

# Functional Parts

## Part

**No:**            **Description:**

---

### SPECIAL PARTS

IO-284B            INSTALLATION INSTRUCTIONS

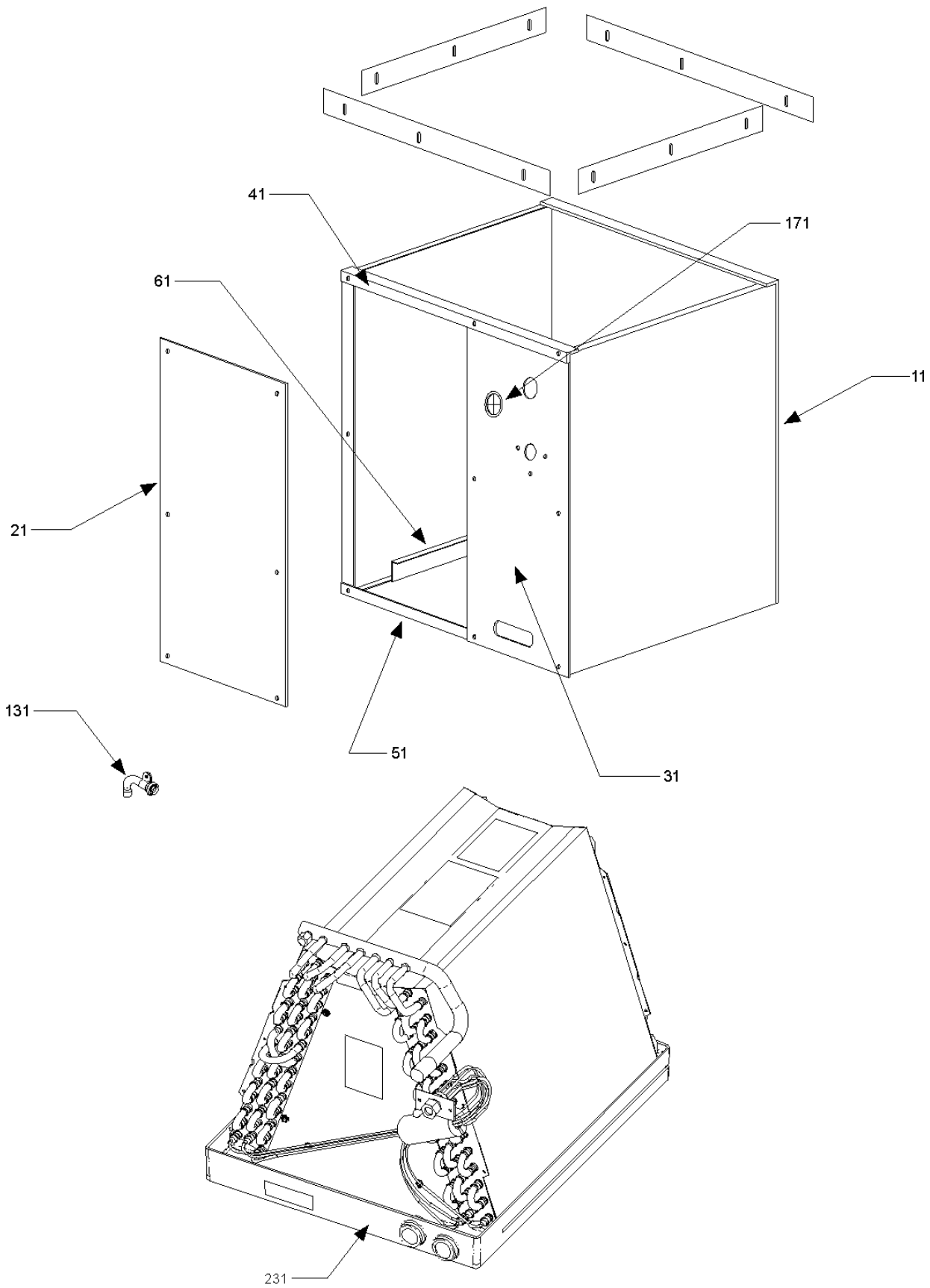
PKC-00X            PISTON KIT CHART

RP-378B            REPAIR PARTS MANUAL

### Expanded Model Nomenclature

M1 - CAPF1824A6AA
M2 - CAPF1824B6AA
M3 - CAPF1824C6AA
M4 - CAPF3030A6AA
M5 - CAPF3030B6AA
M6 - CAPF3030C6AA
M7 - CAPF3030D6AA
M8 - CAPF3131B6AA
M9 - CAPF3131C6AA
M10 - CAPF3636A6AA
M11 - CAPF3636B6AA
M12 - CAPF3636C6AA
M13 - CAPF3636D6AA
M14 - CAPF3642C6AA
M15 - CAPF3642D6AA
M16 - CAPF4860C6AA
M17 - CAPF4860D6AA

# Case Assembly



# Case Assembly

Ref Part No:	Description:	Ref. Part No:	Description:
<i>Image 1:</i>		Expanded Model Nomenclature	
11	5002006PDG WRAPPER 14" X 18" SML (M1)	M1	- CAPF1824A6AA
11	5002000PDG WRAPPER 14" X 22" SML (M4)	M2	- CAPF1824B6AA
11	5002009PDG WRAPPER 14" X 26" SML (M10)	M3	- CAPF1824C6AA
11	5002001PDG WRAPPER 17.5" X 22" MED (M2, M5, M8)	M4	- CAPF3030A6AA
11	5002008PDG WRAPPER 17.5" X 26" MED (M11)	M5	- CAPF3030B6AA
11	5002014PDG WRAPPER 21" X 22" LRG (M3, M6)	M6	- CAPF3030C6AA
11	5002002PDG WRAPPER 21" X 26" LRG (M9, M12)	M7	- CAPF3030D6AA
11	5002003PDG WRAPPER 21" X 30" LRG (M14, M16)	M8	- CAPF3131B6AA
11	5002013PDG WRAPPER 24.5" X 22" XLG (M7)	M9	- CAPF3131C6AA
11	5002004PDG WRAPPER 24.5" X 26" XLG (M13)	M10	- CAPF3636A6AA
11	5002005PDG WRAPPER 24.5" X 30" XLG (M15, M17)	M11	- CAPF3636B6AA
21	5001515PDG DOOR LEFT (M10)	M12	- CAPF3636C6AA
21	5001504PDG DOOR LEFT 17.5" X 22" (M11)	M13	- CAPF3636D6AA
21	5001511PDG DOOR LEFT 14" X 18" (M1)	M14	- CAPF3642C6AA
21	5001509PDG DOOR LEFT 14" X 22" (M4)	M15	- CAPF3642D6AA
21	5001503PDG DOOR LEFT 17.5" X 22" (M2, M5, M8)	M16	- CAPF4860C6AA
21	5001519PDG DOOR LEFT 21" X 22" (M3, M6)	M17	- CAPF4860D6AA
21	5001513PDG DOOR LEFT 21" X 26" (M9, M12)		
21	5001506PDG DOOR LEFT 21" X 30" (M14, M16)		
21	5001518PDG DOOR LEFT 24.5" X 22" (M7)		
21	5001514PDG DOOR LEFT 24.5" X 26" (M13)		
21	5001508PDG DOOR LEFT 24.5" X 30" (M15, M17)		
31	5001510PDG DOOR RIGHT 18" (M1)		
31	5001502PDG DOOR RIGHT 22" (M2, M3, M4, M5, M6, M7, M8)		
31	5001505PDG DOOR RIGHT 26" (M9, M10, M11, M12, M13)		
31	5001507PDG DOOR RIGHT 30" (M14, M15, M16, M17)		
31	BT5076502 DRAIN PAN LRG. (M3, M6, M9, M12, M14, M16)		
31	BT5076501 DRAIN PAN MED. (M2, M5, M8, M11)		
31	BT5076500 DRAIN PAN SML (M1, M4, M10)		
31	BT5076503 DRAIN PAN XLG. (M7, M13, M15, M17)		
41	5001200PDG RAIL, TOP 14" (M1, M4, M10)		
41	5001204PDG RAIL, TOP 17.5" (M2, M5, M8, M11)		
41	5001207PDG RAIL, TOP 21" (M3, M6, M9, M12, M14, M16)		
41	5001208PDG RAIL, TOP 24.5" (M7, M13, M15, M17)		
51	5001201PDG RAIL, BOTTOM 14" (M1, M4, M10)		
51	5001205PDG RAIL, BOTTOM 17.5" (M2, M5, M8, M11)		
51	5001209PDG RAIL, BOTTOM 21" (M3, M6, M9, M12, M14, M16)		
51	5001210PDG RAIL, BOTTOM 24.5" (M7, M13, M15, M17)		
61	5001206 RAIL, DRAIN PAN (QTY 2)		
91	B9102097 CAP W/O-RING		
131	BT1369063 90 DEGREE STUB		