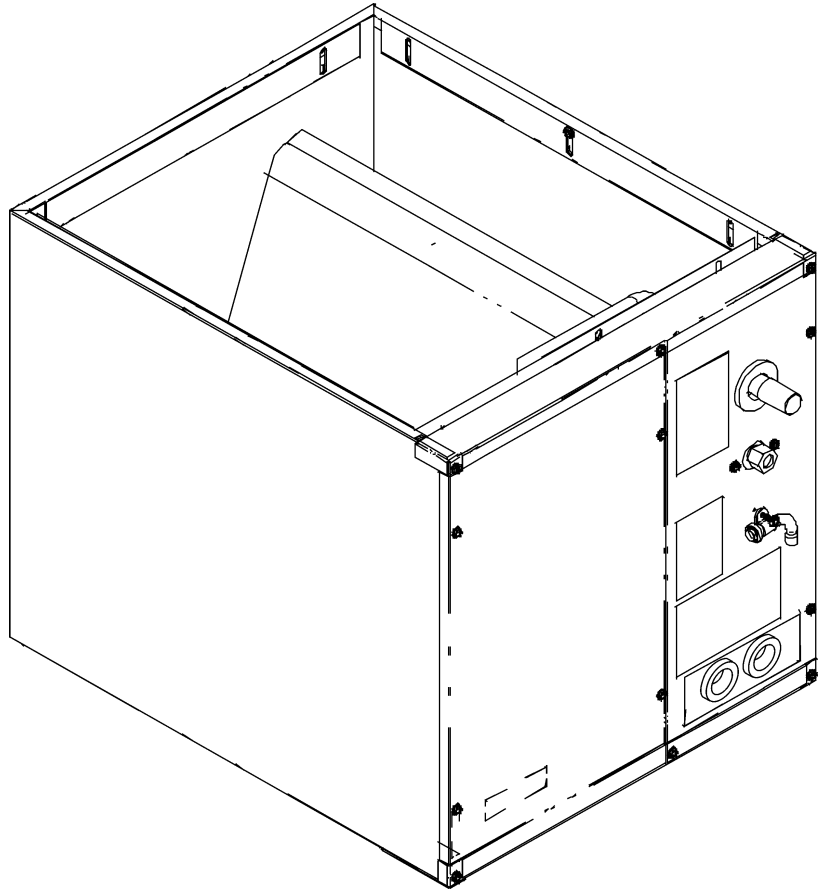


# REPAIR PARTS

---

## CAPF Cased Indoor Upflow/Downflow Coil

CAPF3137B6AA



This manual is to be used by qualified technicians only.

© 2014 Goodman Manufacturing Company, L.P. ♦ 5151 San Felipe St., Suite 500 ♦ Houston, TX 77056

# Important Information

---

## Index

Functional Parts List .....	3
Illustration and Parts .....	4 - 5

*Views shown are for parts illustrations only, not servicing procedures*

Release of cased indoor upflow/downflow coil for 14 SEER units.

### Text Codes:

AR - As Required

NA - Not Available

NS - Not Shown

00000000 - See Note

QTY - Quantity Example (QTY 3) (If Quantity not shown, Quantity = 1)

M - Model Example (M1) (If M Code not shown, then part is used on all Models)

### Expanded Model Nomenclature:

Example M1 - Model#1 M2 - Model#2 M3 - Model#3
---

Goodman Manufacturing Company, L.P. is not responsible for personal injury or property damage resulting from improper service. Review all service information before beginning repairs.

Warranty service must be performed by an authorized technician, using authorized factory parts. If service is required after the warranty expires, Goodman Manufacturing Company, L.P. also recommends contacting an authorized technician and using authorized factory parts.

Goodman Manufacturing Company, L.P. reserves the right to discontinue, or change at any time, specifications or designs without notice or without incurring obligations.

For assistance within the U.S.A. contact:  
Consumer Affairs Department  
Goodman Manufacturing Company, L.P.  
7401 Security Way  
Houston, Texas 77040  
877-254-4729-Telephone  
713-863-2382-Facsimile

For assistance outside the U.S.A. contact:  
International Division  
Goodman Manufacturing Company, L.P.  
7401 Security Way  
Houston, Texas 77040  
713-861-2500-Telephone  
713-863-2382-Facsimile

# Functional Parts

**Part**

**No:**

**Description:**

---

0162A00110

FLOWRATOR, AL

## **SPECIAL PARTS**

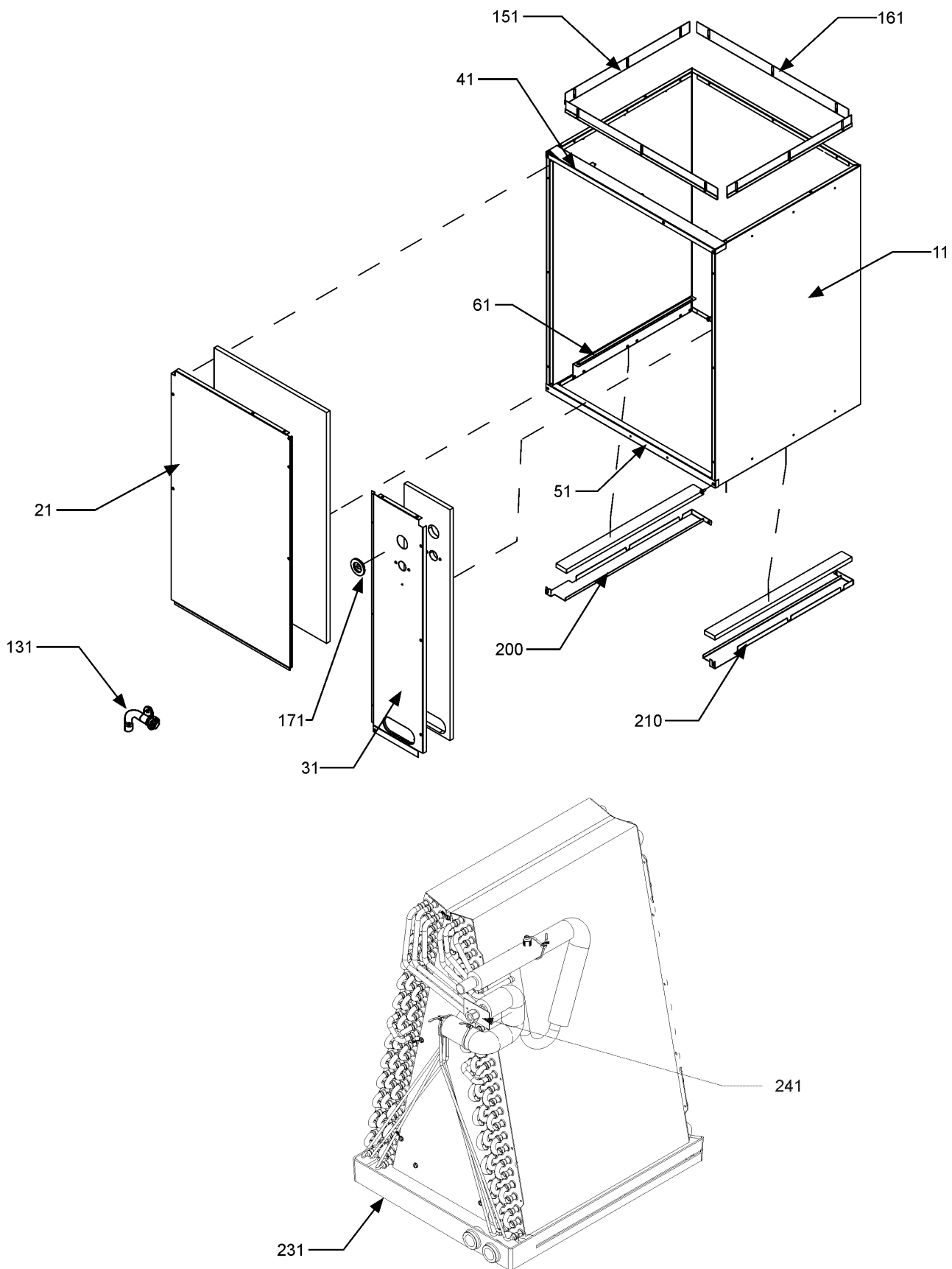
PKCG-4001F

PISTON KIT CHART

### **Expanded Model Nomenclature**

M1 - CAPF3137B6AA
-------------------

# Assembly



# Assembly

Ref. Part No: No:	Description:	Ref. Part No: No:	Description:
-------------------	--------------	-------------------	--------------

---

**Image 1:**

11	0121D00184PDG	WRAPPER 17.5"X30.05"
21	0121D00185PDG	DOOR LEFT
31	5001507PDG	DOOR RIGHT 30"
41	5001204PDG	TOP RAIL 17.5"
51	5001205PDG	BOTTOM RAIL 17.5"
61	5001206	DRAIN PAN RAIL (QTY 2)
131	BT1369063	90 DEGREE STUB
151	5001211	FLANGE SIDE (QTY 2)
161	5001213	FLANGE FRONT-REAR MED (QTY 2)
171	B1392630	GROMMET
201	5001010	PLATE, LEFT BLOCK OFF
211	5001011	PLATE, RIGHT BLOCK OFF
231	BT5076501DF	DRAIN PAN MED.
241	0162A00110	FLOWRATOR, AL
NS	0163M00175	CAP W/O-RING
NS	BT15930113	DRAIN PAN GASKET
NS	B1787000	VALVE CORE

**Expanded Model Nomenclature**

M1 - CAPF3137B6AA

IF A REPLACEMENT COIL IS NEEDED, PLEASE REFER TO THE CORRESPONDING UNCASSED COIL (CAUF).