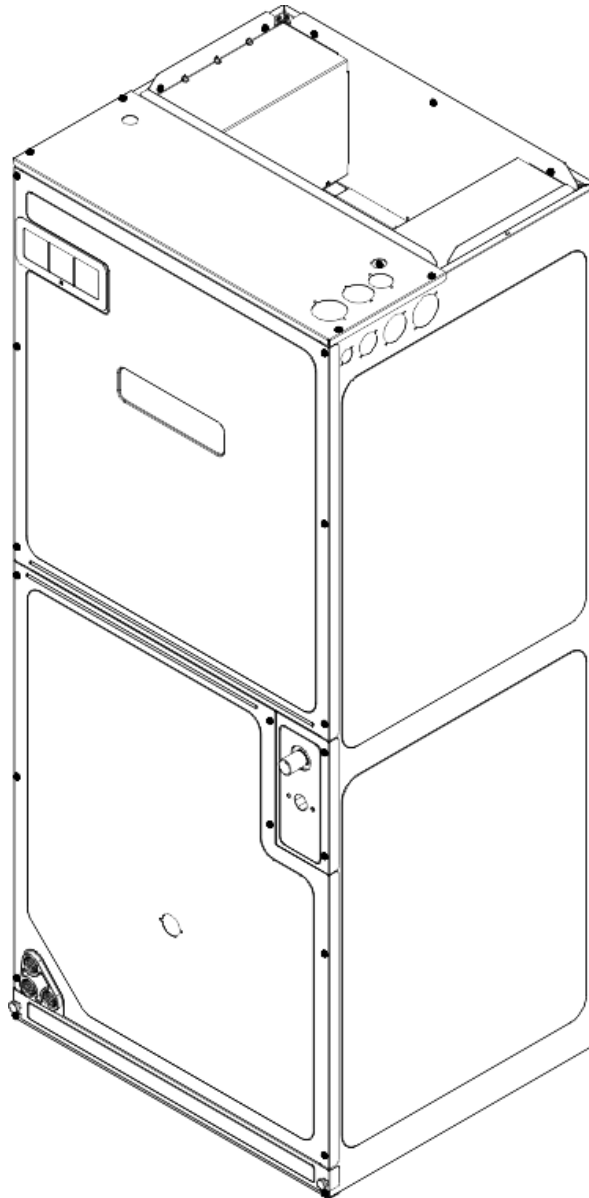


# REPAIR PARTS

---

## ARUF Air Handlers

ARUF18B14AA  
ARUF24B14AA  
ARUF30B14AA  
ARUF36C14AA  
ARUF42C14AA  
ARUF48D14AA  
ARUF60D14AA



This manual is to be used by qualified technicians only.

© 2012 Goodman Manufacturing Company, L.P. ♦ 5151 San Felipe, Suite 500 ♦ Houston, TX 77056

# Important Information

---

## Index

Functional Parts List .....	3
Illustration and Parts .....	4 - 9

*Views shown are for parts illustrations only, not servicing procedures.*

### Text Codes:

AR - As Required

NA - Not Available

NS - Not Shown

00000000 - See Note

QTY - Quantity Example (QTY 3) (If Quantity not shown, Quantity = 1)

M - Model Example (M1) (If M Code not shown, then part is used on all Models)

### Expanded Model Nomenclature:

Example M1 - Model#1 M2 - Model#2 M3 - Model#3
---

Goodman Manufacturing Company, L.P. is not responsible for personal injury or property damage resulting from improper service. Review all service information before beginning repairs.

Warranty service must be performed by an authorized technician, using authorized factory parts. If service is required after the warranty expires, Goodman Manufacturing Company, L.P. also recommends contacting an authorized technician and using authorized factory parts.

Goodman Manufacturing Company, L.P. reserves the right to discontinue, or change at any time, specifications or designs without notice or without incurring obligations.

For assistance within the U.S.A. contact:  
Consumer Affairs Department  
Goodman Manufacturing Company, L.P.  
7401 Security Way  
Houston, Texas 77040  
877-254-4729-Telephone  
713-863-2382-Facsimile

For assistance outside the U.S.A. contact:  
International Division  
Goodman Manufacturing Company, L.P.  
7401 Security Way  
Houston, Texas 77040  
713-861-2500-Telephone  
713-863-2382-Facsimile

# Functional Parts

## Part

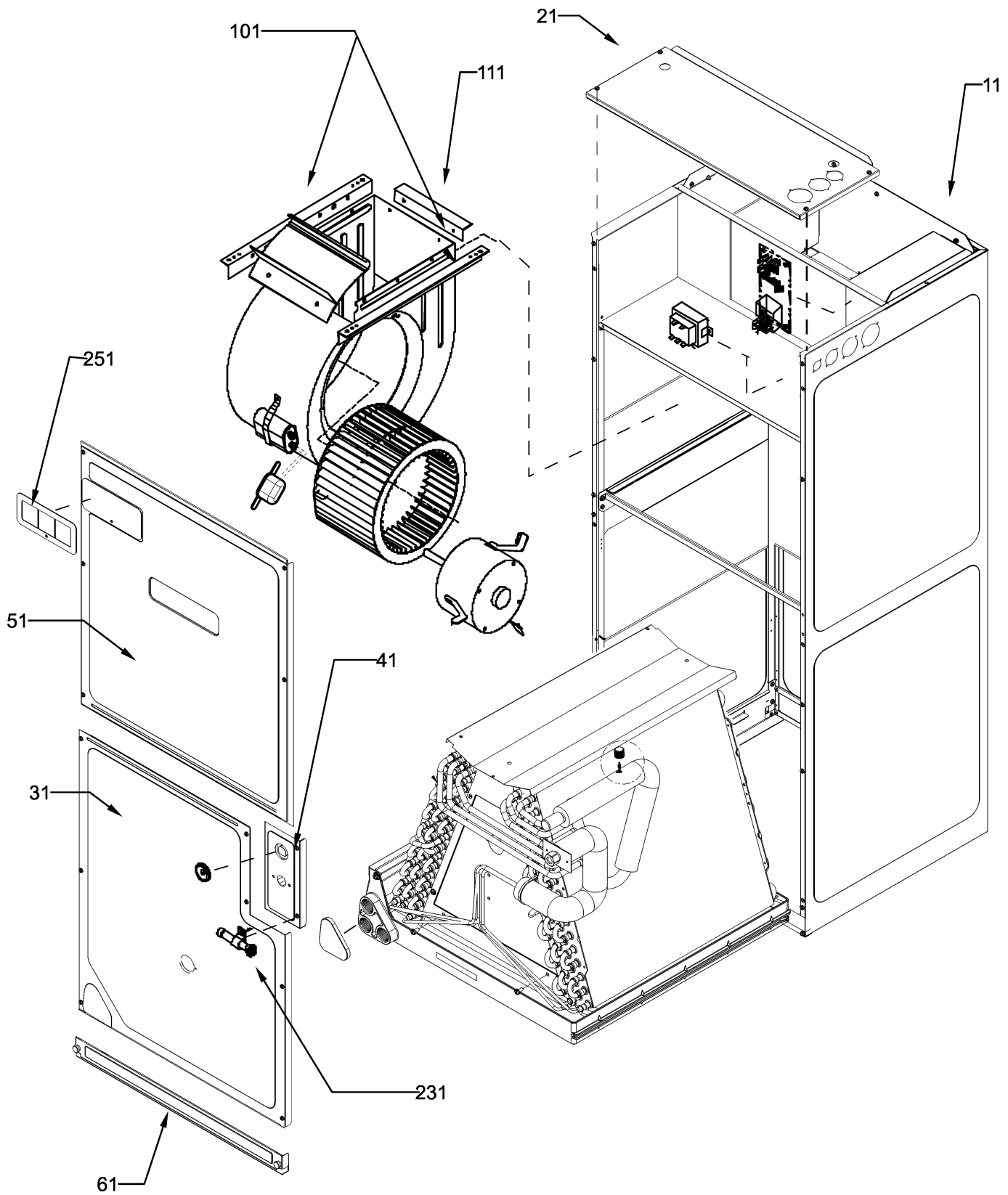
## No:

## Description:

---

11091203	BLOWER MOTOR 1/3 HP, 3 SP, 6 PL (M4, M5)
11091204	BLOWER MOTOR, 1/2HP, 3SP, 8PL (M6)
0131M00005P	BLOWER MOTOR, 1/3HP, 3SP, 6PL (M1, M2, M3)
0131M00297	BLOWER MOTOR, 3/4 HP, 3 SP (M7)
D6723306	BLOWER WHEEL (M6)
D6723311	BLOWER WHEEL (M7)
B1368058	BLOWER WHEEL 10 X 8 (M4, M5)
0150M00000P	BLOWER WHEEL 9 X 6 (M1, M2, M3)
CAP250000370RP	CAP, 25 MFD/370V/ RD [BLOWER] (M7)
CAP100000370VA	CAPACITOR 10/370V [BLOWER] (M1, M2, M3, M4, M5)
CAP150000370VA	CAPACITOR 15/370V [BLOWER] (M6)
0162A00080	FLOWRATOR W/BRKT (M1)
0162A00081	FLOWRATOR W/BRKT (M3)
0162A00083	FLOWRATOR W/BRKT (M4)
0162A00082	FLOWRATOR W/BRKT (M5)
0162A00084	FLOWRATOR W/BRKT (M6)
0162A00092	FLOWRATOR W/BRKT (M2)
0162A00093	FLOWRATOR W/BRKT (M7)
PCBFM131	PCB, TIME DELAY
B1141643	TRANSFORMER 208/230, 24V

# Cabinet Assy



# Cabinet Assy

Ref. Part No:	Part No:	Description:	Ref. Part No:	Part No:	Description:
---------------	----------	--------------	---------------	----------	--------------

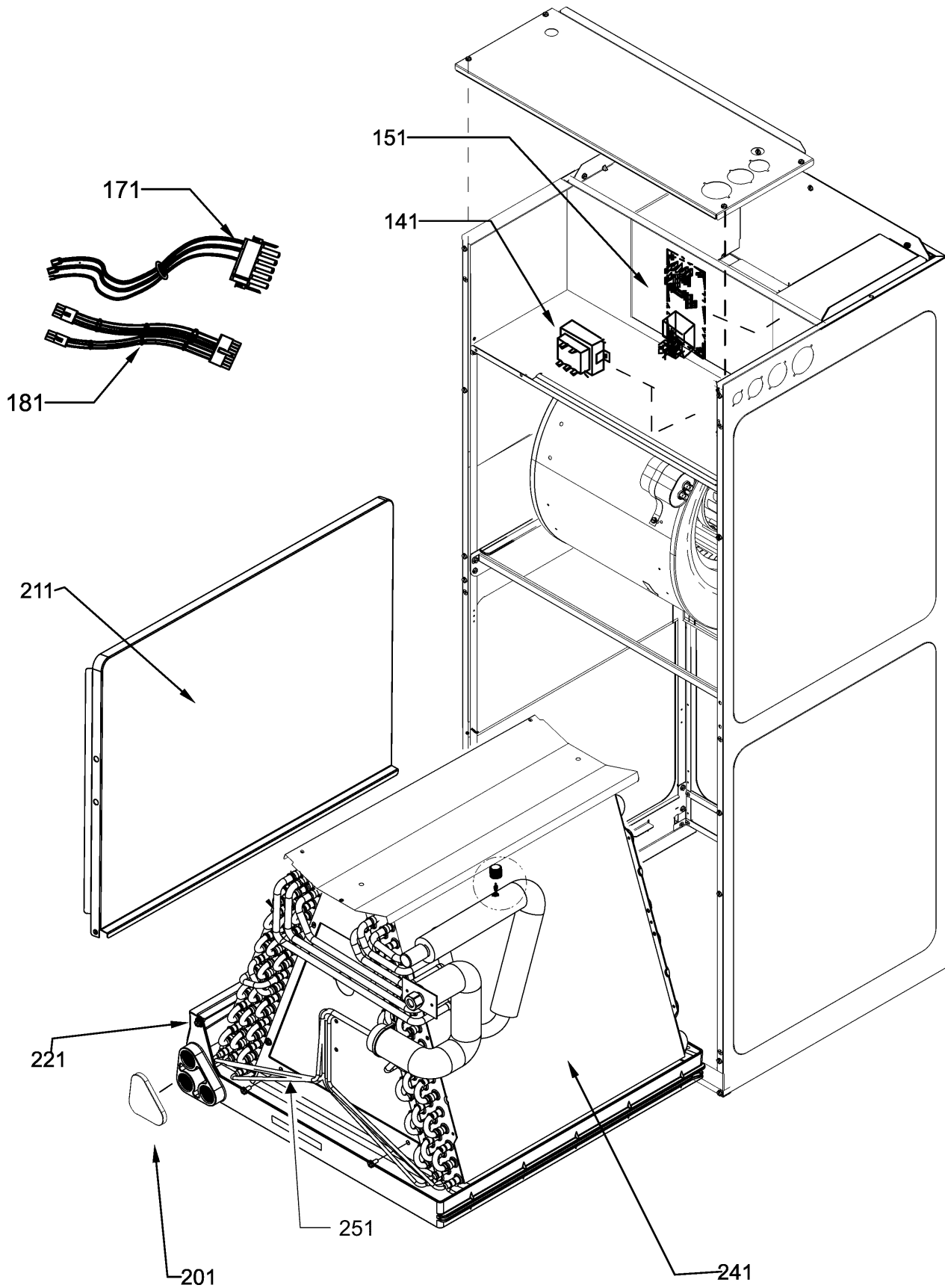
Image 1:

11	0270A00655	Wrapper Assy, Unpainted (M1, M2, M3)
11	0270A00689	Wrapper Assy, Unpainted (M4, M5)
11	0270A00690	Wrapper Assy, Unpainted (M6, M7)
21	0121A00252PDG	Plate, Upper Tie (M1, M2, M3)
21	0121A00253PDG	Plate, Upper Tie (M4, M5)
21	0121A00254PDG	Plate, Upper Tie (M6, M7)
31	0121A00248PDG	Panel, Lower Access (M1, M2, M3)
31	0121A00249PDG	Panel, Lower Access (M4, M5)
31	0121A00250PDG	Panel, Lower Access (M6, M7)
41	0121A00251PDG	Panel, Refrigerant Tubing
51	0121A00178PDG	Panel, Upper Access (M6, M7)
51	0121A00209PDG	Panel, Upper Access (M4, M5)
51	0121A00210PDG	Panel, Upper Access (M1, M2, M3)
61	0121A00242PDG	Panel, Filter Access (M1, M2, M3)
61	0121A00243PDG	Panel, Filter Access (M4, M5)
61	0121A00244PDG	Panel, Filter Access (M6, M7)
101	0121A00275	Rail, Blower (M7)
101	0121A00336	Rail, Blower (M1, M2, M3)
111	0121A00337	Angle, Blower Mounting (M1, M2, M3)
111	0121A00353	Angle, Blower Mounting (M7)
251	B1392641	PLASTIC BREAKER INSERT
NS	BT1369063	90 DEGREE STUB
NS	B1392630	GROMMET

Expanded Model Nomenclature

M1 - ARUF18B14AA
M2 - ARUF24B14AA
M3 - ARUF30B14AA
M4 - ARUF36C14AA
M5 - ARUF42C14AA
M6 - ARUF48D14AA
M7 - ARUF60D14AA

# Internal Components



# Internal Components

Ref. Part No:	No:	Description:	Ref. Part No:	No:	Description:
<i>Image 1:</i>					
141	B1141643	TRANSFORMER 208/230, 24V			
151	PCBFM131	PCB, TIME DELAY			
171	0259A00012P	WIRE ASSY, 9 PIN FEMALE CONN.			
181	0259A00013P	WIRE ASSY, 9 PIN MALE CONN.			
201	0154A00003BL	Gasket, Drain Pan			
211	0121A00306PDG	Drip Shield, Large (M6, M7)			
211	0121A00305PDG	Drip Shield, Medium (M4, M5)			
211	0121A00304PDG	Drip Shield, Small (M1, M2, M3)			
221	0161A00028	DRAIN PAN, LARGE (M6, M7)			
221	0161A00027	DRAIN PAN, MEDIUM (M4, M5)			
221	0161A00026	DRAIN PAN, SMALL (M1, M2, M3)			
241	0270A00667	COIL TUBING ASSY (M6)			
241	0270A00668	COIL TUBING ASSY (M5)			
241	0270A00669	COIL TUBING ASSY (M4)			
241	0270A00670	COIL TUBING ASSY (M1)			
241	0270A00671	COIL TUBING ASSY (M3)			
241	0270A00683	COIL TUBING ASSY (M2)			
241	0270A00684	COIL TUBING ASSY (M7)			
251	0162A00080	FLOWRATOR W/BRKT (M1)			
251	0162A00081	FLOWRATOR W/BRKT (M3)			
251	0162A00082	FLOWRATOR W/BRKT (M5)			
251	0162A00083	FLOWRATOR W/BRKT (M4)			
251	0162A00084	FLOWRATOR W/BRKT (M6)			
251	0162A00092	FLOWRATOR W/BRKT (M2)			
251	0162A00093	FLOWRATOR W/BRKT (M7)			
NS	B9102097	CAP W/O-RING			
NS	B1392303	FLOWRATOR CLAMP (FOR 3/8" TUBIN			
NS	BT1787000	VALVE CORE			

## Expanded Model Nomenclature

M1 - ARUF18B14AA
M2 - ARUF24B14AA
M3 - ARUF30B14AA
M4 - ARUF36C14AA
M5 - ARUF42C14AA
M6 - ARUF48D14AA
M7 - ARUF60D14AA

# Blower Components

Image 1

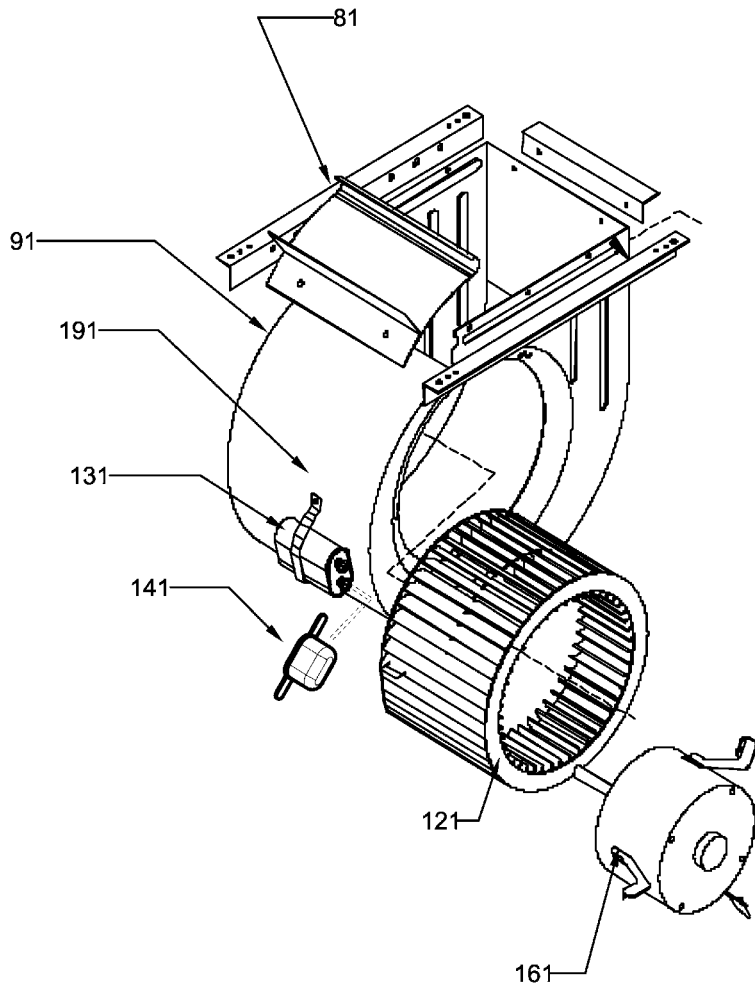
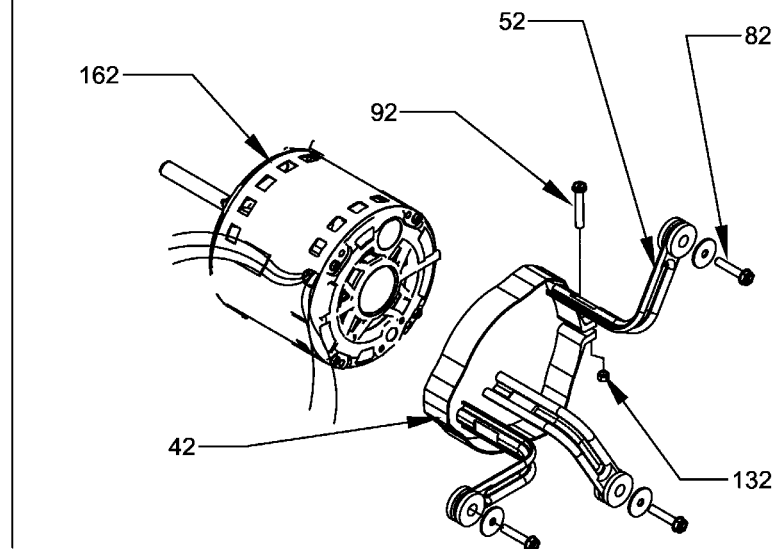


Image 2





# Blower Components

Ref. Part No: No:	Description:	Ref. Part No: No:	Description:
-------------------	--------------	-------------------	--------------

*Image 1:*

81	764741	BLOWER BLOCK-OFF 10 X 10 (M6)
81	1864700	BLOWER CUT-OFF 10 X 10 (M7)
81	764733	BLOWER CUT-OFF 9 X 6 (M1, M2, M3)
81	764740	BLWR BLK-OFF, 10X8 (M4, M5)
91	0271A00016	ASSY, BLOWER SHELL (M6)
91	0271A00013	ASSY, BLOWER SHELL (11 X 10) (M7)
91	0271A00029	ASSY, BLOWER SHELL ASSY 10 X 8 (M4, M5)
91	1439389	BLOWER SHELL ASM F/ 9X6 WHL (M1, M2, M3)
121	D6723306	BLOWER WHEEL (M6)
121	D6723311	BLOWER WHEEL (M7)
121	B1368058	BLOWER WHEEL 10 X 8 (M4, M5)
121	0150M00000P	BLOWER WHEEL 9 X 6 (M1, M2, M3)
131	CAP250000370RP	CAP, 25 MFD/370V/ RD [BLOWER] (M7)
131	CAP100000370VA	CAPACITOR 10/370V [BLOWER] (M1, M2, M3, M4, M5)
131	CAP150000370VA	CAPACITOR 15/370V [BLOWER] (M6)
141	A3375801	CAPACITOR-BOOT
161	11091203	BLOWER MOTOR 1/3 HP, 3 SP, 6 PL (M4, M5)
161	0131M00005P	BLOWER MOTOR, 1/3HP, 3SP, 6PL (M1, M2, M3)
191	1284835	CAPACITOR STRAP

*Image 2:*

42	0121M00039	MOTOR MOUNT BAND (HEAVY DUTY) (M6, M7)
52	B1376863	MOTOR MOUNT ARM (HEAVY DUTY) (M6, M7)
82	M0250565	TC SCREW 1.25" (M6, M7)
132	B1393800	LOCKNUT, NYLON, INSERT 1/4, 20 (M6, M7)
162	11091204	BLOWER MOTOR, 1/2HP, 3SP, 8PL (M6)
162	0131M00297	BLOWER MOTOR, 3/4 HP, 3 SP (M7)

Expanded Model Nomenclature

M1 - ARUF18B14AA
M2 - ARUF24B14AA
M3 - ARUF30B14AA
M4 - ARUF36C14AA
M5 - ARUF42C14AA
M6 - ARUF48D14AA
M7 - ARUF60D14AA