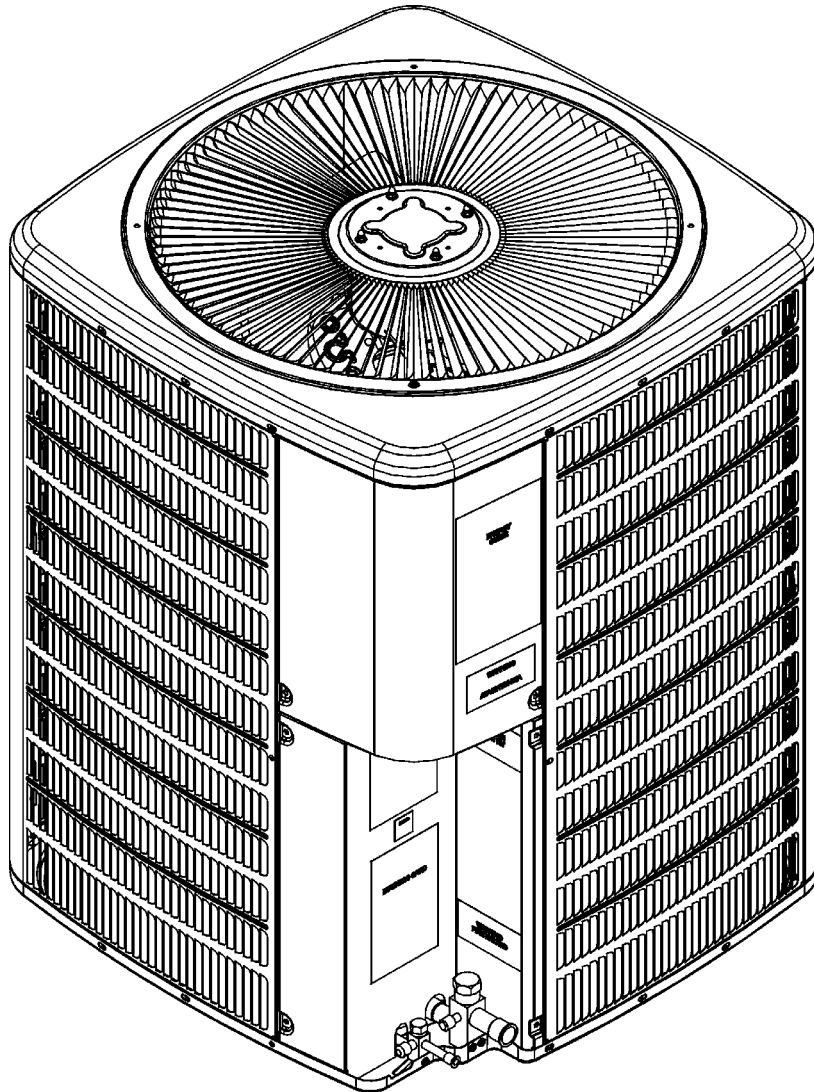


# REPAIR PARTS

## VSX13 SEER Remote Condensing Unit

VSX130181AA  
VSX130181BA  
VSX130181DA  
VSX130181EA  
VSX130181EB  
VSX130241AA  
VSX130241BA  
VSX130241DA  
VSX130301AA  
VSX130301AB  
VSX130301AC  
VSX130301DA  
VSX130301DB  
VSX130361AA  
VSX130361BA  
VSX130361DA  
VSX130361EA  
VSX130361EB  
VSX130421AA  
VSX130421AB  
VSX130421AC  
VSX130421BA  
VSX130481AA  
VSX130481AB  
VSX130481AC  
VSX130481BA  
VSX130601BA  
VSX130601BB



This manual is to be used by qualified technicians only.

This manual replaces RP-603I.

© 2010-2013 Goodman Manufacturing Company, L.P. ♦ 5151 San Felipe, Suite 500 ♦ Houston, TX 77056

# Important Information

---

## Index

Functional Parts List .....	3
Illustration and Parts .....	4 - 9

*Views shown are for parts illustrations only, not servicing procedures.*

Rev J: Addition of models with 2 piece louver panels.

### Text Codes:

AR - As Required

NA - Not Available

NS - Not Shown

00000000 - See Note

QTY - Quantity Example (QTY 3) (If Quantity not shown, Quantity = 1)

M - Model Example (M1) (If M Code not shown, then part is used on all Models)

### Expanded Model Nomenclature:

Example M1 - Model#1 M2 - Model#2 M3 - Model#3
---

Goodman Manufacturing Company, L.P. is not responsible for personal injury or property damage resulting from improper service. Review all service information before beginning repairs.

Warranty service must be performed by an authorized technician, using authorized factory parts. If service is required after the warranty expires, Goodman Manufacturing Company, L.P. also recommends contacting an authorized technician and using authorized factory parts.

Goodman Manufacturing Company, L.P. reserves the right to discontinue, or change at any time, specifications or designs without notice or without incurring obligations.

For assistance within the U.S.A. contact:  
Consumer Affairs Department  
Goodman Manufacturing Company, L.P.  
7401 Security Way  
Houston, Texas 77040  
877-254-4729-Telephone  
713-863-2382-Facsimile

For assistance outside the U.S.A. contact:  
International Division  
Goodman Manufacturing Company, L.P.  
7401 Security Way  
Houston, Texas 77040  
713-861-2500-Telephone  
713-863-2382-Facsimile

# Functional Parts

## Part

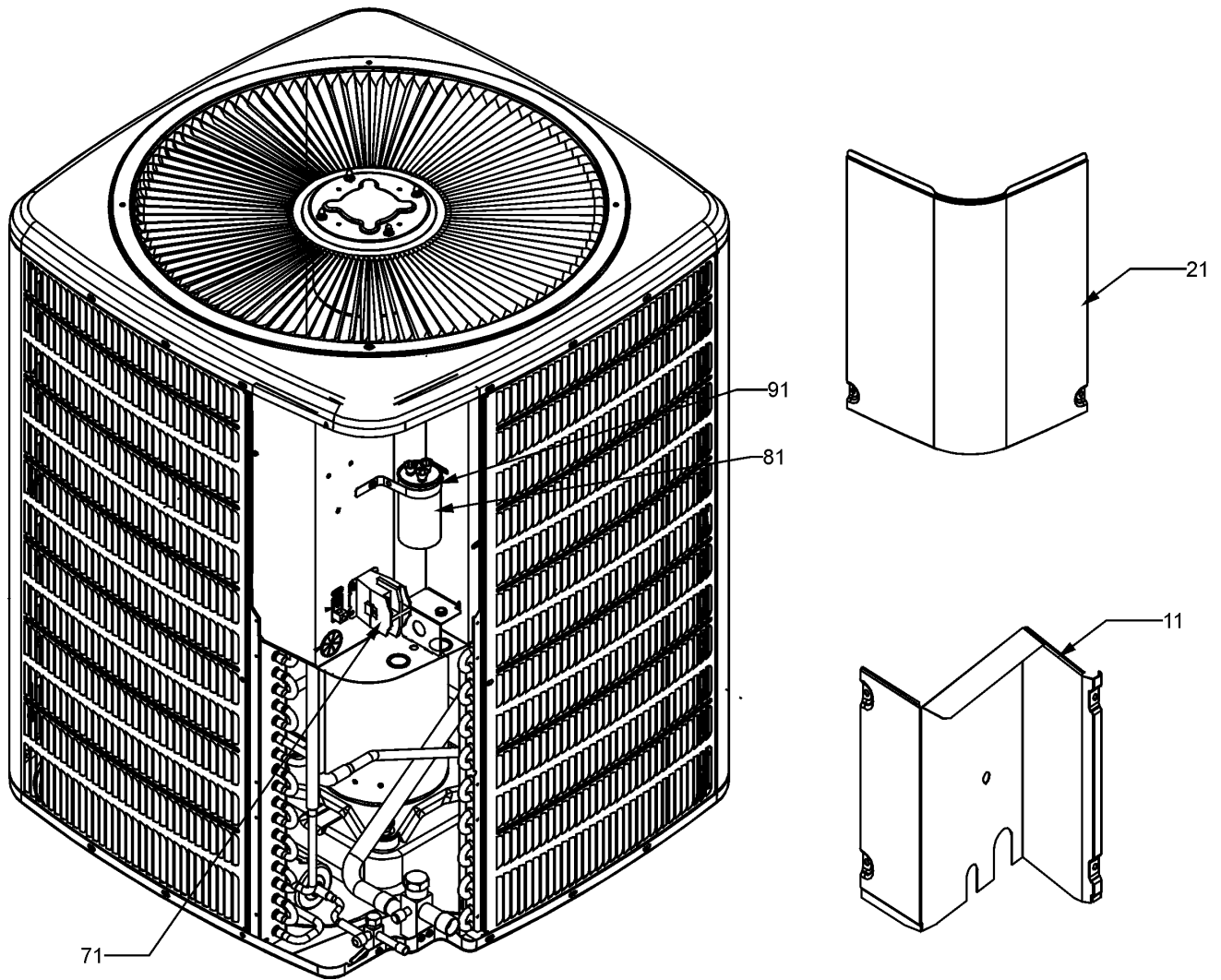
## No: Description:

50N382XV-5AKM	1.5 Rechi Compressor (M4)
50N382XV-ZAKM	1.5T RECHI ROTARY COMPRESSOR (M5)
B12825171	3/8 BASE VALVE (OPEN)
760051-2001-12	BRISTOL COMPRESSOR (M26)
CAP050450440RT	CAP, 5/45 MFD/440V/DUAL RD (M14, M15, M17, M18, M19, M20, M21, M22, M23, M24, M25)
CAP050700440RT	CAP, 5/70 MFD/440V/DUAL RD (M27, M28)
CAP050300440RS	CAPACITOR 5/30/370V (M1)
CAP050350440RS	CAPACITOR 5/35/440V (M2, M3, M4, M5, M6, M7, M8)
CAP050400440RT	CAPACITOR 5/40/440V (M9, M10, M11, M12, M13, M26)
CAP050450440RT	CAPACITOR 5/45/440V (M16)
ZP20K5EPFV130	COMP, 20000, 208/230/60/1 (M6, M7, M8)
ZP34K5EPFV130	COMP, 34500, 208/230/60/1 (M19, M20, M21)
ZP49K5EPFV130	COMP, 49400, 208/230/60/1 (M27, M28)
5KS150FAB21	COMPRESSOR 14600, 208/230/60/1 (M2, M3)
ZP16K5EPFV130	COMPRESSOR 15500, 208/230/60/1 (M1)
ZP24K5EPFV130	COMPRESSOR 24000, 208/230/60/1 (M9, M10, M11, M12, M13)
ZP29K5EPFV130	COMPRESSOR 29000, 208/230/60/1 (M14, M15, M16, M17, M18)
ZP39K5EPFV130	COMPRESSOR 39000, 208/230/60/1 (M23, M24, M25)
760024-2001-10	COMPRESSOR BRISTOL (M22)
0131M00018P	COND MOTOR 1/4 HP, 1 SP, 6 PL (M16, M17, M18, M20, M21, M22, M24, M25, M26, M27, M28)
0131M00016P	COND MOTOR 1/6 HP, 1 SP, 8 PL (M14, M15)
0131M00266	COND MOTOR 1/8 HP 8 PL PSC MOTOR (M1, M2, M6, M7, M9)
0131M00061	COND MOTOR, 1/4HP, 1SP, 8PL (M19, M23)
0131M00276	COND MOTOR, 1/8 HP, 1SP, 6PL (M3, M4, M5, M8, M12, M13)
0131M00294	COND MOTOR, 1/8HP, 1SP, 6PL (M10, M11)
CONT1P025024V	CONTACTOR 25 AMP, 1P, 24V (M1, M2, M3, M4, M5, M6, M7, M8, M9, M10, M11, M12, M13, M14, M15, M16, M17, M18, M19, M20, M21, M22)
CONT1P030024V	CONTACTOR 30 AMP, 1P, 24V (M23, M24, M25, M26, M27, M28)
0150M00041	FAN BLADE (M17, M18)
0150M00018	FAN BLADE 20" (M1, M6, M7, M10, M11)
B1086750	FAN BLADE 22", 3 BLADE, 24° (M20, M21, M22, M24, M25, M26, M27, M28)
B1086764	FAN BLADE TYPE 2 (M14, M15)
B1086765	FAN BLADE TYPE 3 (M19, M23)
0150M00029	FAN BLADE, 18" (M16)
0150M00030	FAN BLADE, 18" (M3, M4, M5, M8, M12, M13)
0150M00012	FAN BLADE-20" CCW (M2, M9)
0130M00089	SW-CUTOUT HI PRESS (M4, M5)
0151R00032	VALVE, BASE 3/4" OPEN LEFT (M1, M2, M3, M4, M5, M6, M7, M8, M9, M10, M11, M12, M13, M14, M15, M16, M17, M18)
0151R00033	VALVE, BASE 7/8" OPEN LEFT (M19, M20, M21, M22, M23, M24, M25, M26, M27, M28)

## Expanded Model Nomenclature

M1 - VSX130181AA
M2 - VSX130181BA
M3 - VSX130181DA
M4 - VSX130181EA
M5 - VSX130181EB
M6 - VSX130241AA
M7 - VSX130241BA
M8 - VSX130241DA
M9 - VSX130301AA
M10 - VSX130301AB
M11 - VSX130301AC
M12 - VSX130301DA
M13 - VSX130301DB
M14 - VSX130361AA
M15 - VSX130361BA
M16 - VSX130361DA
M17 - VSX130361EA
M18 - VSX130361EB
M19 - VSX130421AA
M20 - VSX130421AB
M21 - VSX130421AC
M22 - VSX130421BA
M23 - VSX130481AA
M24 - VSX130481AB
M25 - VSX130481AC
M26 - VSX130481BA
M27 - VSX130601BA
M28 - VSX130601BB

# Control Cover / Control Box



# Control Cover / Control Box

## Ref. Part

No: No: Description:

## Ref. Part

No: No: Description:

Image 1:

11	0121R00316PBB	PANEL, LOWER ACCESS PNT (M27, M28)
11	0121R00319PBB	PANEL, LOWER ACCESS PNT (M19, M20, M21, M22, M23, M24, M25, M26)
11	0121R00325PBB	PANEL, LOWER ACCESS PNT (M14, M15)
11	0121R00326PBB	PANEL, LOWER ACCESS PNT (M1, M2, M6, M7, M9, M10, M11, M17, M18)
11	0121R00264PBB	PANEL, LOWER ACCESS 23_22.6 (M3)
11	0121R00265PBB	PANEL, LOWER ACCESS 23_25.2 PNT (M4, M5, M8, M12, M13)
11	0121R00266PBB	PANEL, LOWER ACCESS 23_30.24PNT (M16)
21	0121R00053PBB	CONTROL COVER (M1, M2, M6, M7, M9, M10, M11, M14, M15, M17, M18, M19, M20, M21, M22, M23, M24, M25, M26, M27, M28)
21	0121R00268	CONTROL COVER (M3, M4, M5, M8, M12, M13, M16)
71	CONT1P025024V	CONTACTOR 25 AMP, 1P, 24V (M1, M2, M3, M4, M5, M6, M7, M8, M9, M10, M11, M12, M13, M14, M15, M16, M17, M18, M19, M20, M21, M22)
71	CONT1P030024V	CONTACTOR 30 AMP, 1P, 24V (M23, M24, M25, M26, M27, M28)
81	CAP050450440RT	CAP, 5/45 MFD/440V/DUAL RD (M14, M15, M17, M18, M19, M20, M21, M22, M23, M24, M25)
81	CAP050700440RT	CAP, 5/70 MFD/440V/DUAL RD (M27, M28)
81	CAP050300440RS	CAPACITOR 5/30/370V (M1)
81	CAP050350440RS	CAPACITOR 5/35/440V (M2, M3, M4, M5, M6, M7, M8)
81	CAP050400440RT	CAPACITOR 5/40/440V (M9, M10, M11, M12, M13, M26)
81	CAP050450440RT	CAPACITOR 5/45/440V (M16)
91	4400065	CAPACITOR STRAP (M9, M10, M11)

Expanded Model Nomenclature

M1 - VSX130181AA
M2 - VSX130181BA
M3 - VSX130181DA
M4 - VSX130181EA
M5 - VSX130181EB
M6 - VSX130241AA
M7 - VSX130241BA
M8 - VSX130241DA
M9 - VSX130301AA
M10 - VSX130301AB
M11 - VSX130301AC
M12 - VSX130301DA
M13 - VSX130301DB
M14 - VSX130361AA
M15 - VSX130361BA
M16 - VSX130361DA
M17 - VSX130361EA
M18 - VSX130361EB
M19 - VSX130421AA
M20 - VSX130421AB
M21 - VSX130421AC
M22 - VSX130421BA
M23 - VSX130481AA
M24 - VSX130481AB
M25 - VSX130481AC
M26 - VSX130481BA
M27 - VSX130601BA
M28 - VSX130601BB

# Compressor / Tubing Assembly/Condenser

Image 1

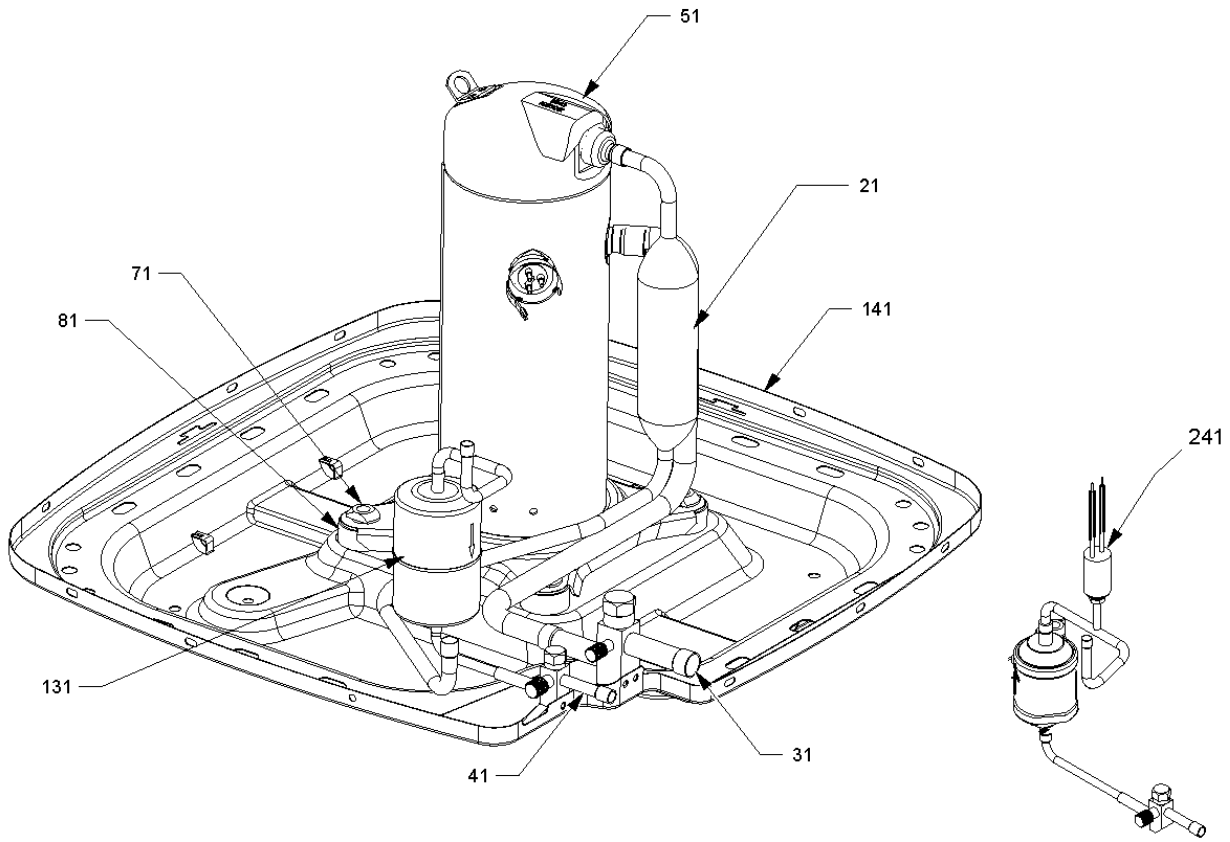


Image 2

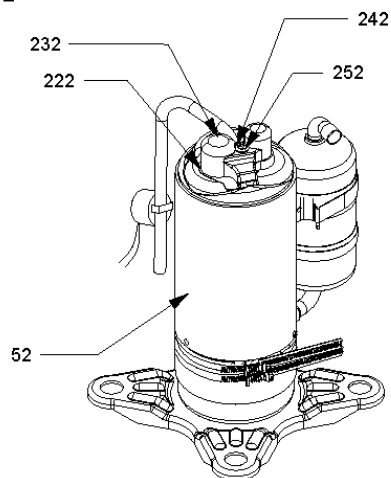
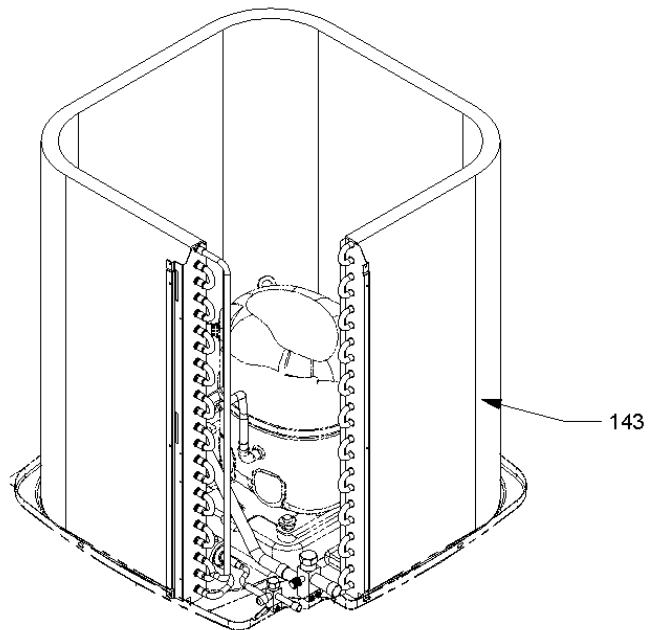


Image 3



# Compressor / Tubing Assembly/Condenser

Ref. Part No: No:	Description:	Ref. Part No: No:	Description:	
<i>Image 1:</i>		<i>Image 3:</i>		
21	B1219301	MUFFLER 1/2 X 1/2 (M26)	143 0201R00236	TUBING ASSY, COND COIL (M27, M28)
31	0151R00032	VALVE, BASE 3/4" OPEN LEFT (M1, M2, M3, M4, M5, M6, M7, M8, M9, M10, M11, M12, M13, M14, M15, M16, M17, M18)	143 0201R00242	TUBING ASSY, COND COIL (M19, M20, M21, M22, M23, M24, M25, M26)
31	0151R00033	VALVE, BASE 7/8" OPEN LEFT (M19, M20, M21, M22, M23, M24, M25, M26, M27, M28)	143 0201R00268	TUBING ASSY, COND COIL (M1, M2, M6)
41	B12825171	3/8 BASE VALVE (OPEN)	143 0201R00271	TUBING ASSY, COND COIL (M9, M10, M11, M17, M18)
51	50N382XV-5AKM	1.5 Rechi Compressor (M4)	143 0201R00272	TUBING ASSY, COND COIL (M14, M15)
51	50N382XV-ZAKM	1.5T RECHI ROTARY COMPRESSOR (M5)	143 0201R00328	TUBING ASSY, COND COIL (M7)
51	760051-2001-12	BRISTOL COMPRESSOR (M26)	143 0201R00389	TUBING ASSY, COND COIL (M3)
51	ZP20K5EPFV130	COMP,20000,208/230/60/1 (M6, M7, M8)	143 0201R00390	TUBING ASSY, COND COIL (M4, M5, M8, M12, M13)
51	ZP34K5EPFV130	COMP,34500,208/230/60/1 (M19, M20, M21)	143 0201R00391	TUBING ASSY, COND COIL (M16)
51	ZP49K5EPFV130	COMP,49400,208/230/60/1 (M27, M28)	<b>Expanded Model Nomenclature</b>	
51	ZP16K5EPFV130	COMPRESSOR 15500, 208/230/60/1 (M1)	<div style="border: 1px solid black; padding: 5px;"> M1 - VSX130181AA  M2 - VSX130181BA  M3 - VSX130181DA  M4 - VSX130181EA  M5 - VSX130181EB  M6 - VSX130241AA  M7 - VSX130241BA  M8 - VSX130241DA  M9 - VSX130301AA  M10 - VSX130301AB  M11 - VSX130301AC  M12 - VSX130301DA  M13 - VSX130301DB  M14 - VSX130361AA  M15 - VSX130361BA  M16 - VSX130361DA  M17 - VSX130361EA  M18 - VSX130361EB  M19 - VSX130421AA  M20 - VSX130421AB  M21 - VSX130421AC  M22 - VSX130421BA  M23 - VSX130481AA  M24 - VSX130481AB  M25 - VSX130481AC  M26 - VSX130481BA  M27 - VSX130601BA  M28 - VSX130601BB </div>	
51	ZP24K5EPFV130	COMPRESSOR 24000, 208/230/60/1 (M9, M10, M11, M12, M13)		
51	ZP29K5EPFV130	COMPRESSOR 29000, 208/230/60/1 (M14, M15, M16, M17, M18)		
51	ZP39K5EPFV130	COMPRESSOR 39000, 208/230/60/1 (M23, M24, M25)		
51	760024-2001-10	COMPRESSOR BRISTOL (M22)		
71	0163M00186	SCREW-SHOULDER TF (M4, M5)		
71	M0221641	TF SHOULDER SCREW (M1, M2, M3, M6, M7, M8, M9, M10, M11, M12, M13, M14, M15, M16, M17, M18, M19, M20, M21, M22, M23, M24, M25, M26, M27, M28)		
81	B1339533	COMPRESSOR GROMMET (M1, M2, M3, M6, M7, M8, M9, M10, M11, M12, M13, M14, M15, M16, M17, M18, M19, M20, M21, M22, M23, M24, M25, M26, M27, M28)		
81	60140209	GROMMET - RECHI COMPRESSOR (M4, M5)		
131	0162R00009	FILTER DRIER		
141	0121R00005PBB	BASE PAN 26" (M1, M2, M6, M7, M9, M10, M11, M17, M18)		
141	0121R00006PBB	BASE PAN 29" (M14, M15, M19, M20, M21, M22, M23, M24, M25, M26, M27, M28)		
141	0121R00272	BASE PAN, 23" (M3, M4, M5, M8, M12, M13, M16)		
241	0130M00089	SW-CUTOOUT HI PRESS (M4, M5)		
NS	0159R00000P	COMPRESSOR SCROLL HARNESS (M1, M6, M7, M8, M9, M10, M11, M12, M13, M16, M17, M18)		
NS	0159R00002P	COMPRESSOR SCROLL HARNESS (M14, M15, M19, M20, M21, M23, M24, M25, M27, M28)		
NS	B1789886	FLOW CHECK PISTON KIT (M27, M28)		
NS	B1789851	FLOW CHECK PISTON KIT .051 (M1, M2, M3, M4, M5)		
NS	B1789857	FLOW CHECK PISTON KIT .057 (M6, M7, M8)		
NS	B1789859	FLOW CHECK PISTON KIT .059 (M12)		
NS	B1789861	FLOW CHECK PISTON KIT .061 (M9, M10, M11, M13)		
NS	B1789867	FLOW CHECK PISTON KIT .067 (M16)		
NS	B1789870	FLOW CHECK PISTON KIT .070 (M14, M15, M17, M18)		
NS	B1789876	FLOW CHECK PISTON KIT .076 (M19, M20, M21, M22)		
NS	B1789878	FLOW CHECK PISTON KIT .078 (M26)		
NS	B1789880	FLOW CHECK PISTON KIT .080 (M23, M24, M25)		
<i>Image 2:</i>				
52	5KS150FAB21	COMPRESSOR 14600, 208/230/60/1 (M2, M3)		
222	0154M00003	GASKET, TERM COVER (M2, M3)		
232	0130M00028	TERMINAL COVER (M2, M3)		
242	A3436801	GASKET-NUT (M2, M3)		
252	A3436601	NUT-TERM COVER (M2, M3)		
NS	0164M00022	GROMMET/WASHER ASSY (M2, M3)		

# Cabinet Top / Side Panels

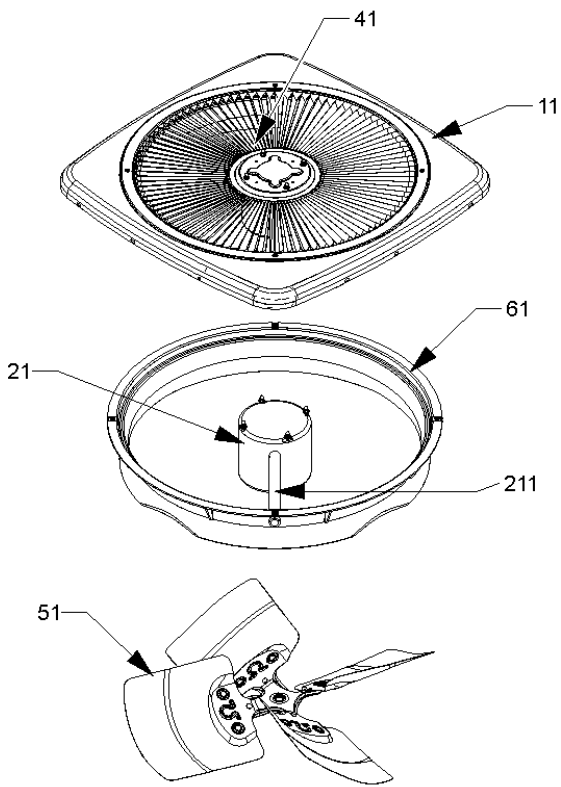


Image 1

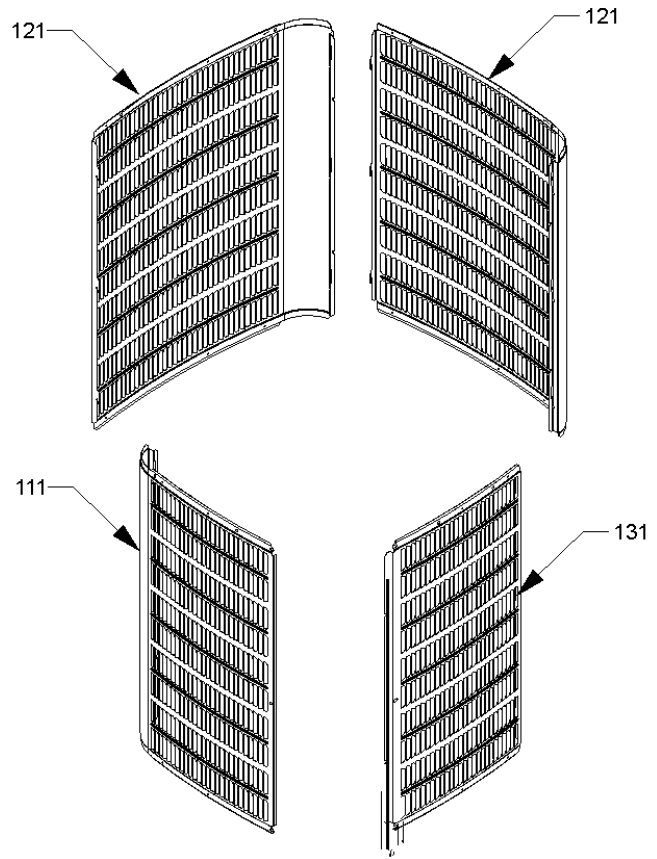
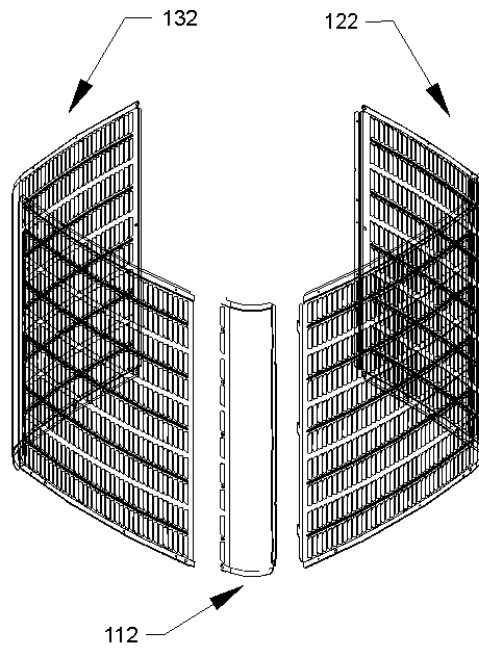


Image 2





# Cabinet Top / Side Panels

Ref. Part No:	Description:	Ref. Part No:	Description:
<i>Image 1:</i>		<i>Image 2:</i>	
11	0121R00270PBB PANEL, TOP, PNT, BB (M3, M4, M5, M8, M12, M13, M16)	122	0121R00273PBBR PANEL, LOUVER 23_22.6, PNT BB (M3)
11	0121R00008PBB TOP PANEL 26" (M1, M2, M6, M7, M9, M10, M11, M17, M18)	122	0121R00274PBBR PANEL, LOUVER 23_25.2, PNT BB (M4, M5, M8, M12, M13)
11	0121R00010PBB TOP PANEL 29" (M14, M15, M19, M20, M21, M22, M23, M24, M25, M26, M27, M28)	122	0121R00275PBBR PANEL, LOUVER 23_30.24, PNT BB (M16)
21	0131M00018P COND MOTOR 1/4 HP, 1 SP, 6 PL (M16, M17, M18, M20, M21, M22, M24, M25, M26, M27, M28)	132	0121R00336PBBL Louver Panel, PBB 26" _23.73 (M11, M18)
21	0131M00016P COND MOTOR 1/6 HP, 1 SP, 8 PL (M14, M15)	132	0121R00344PBBL Louver Panel, PBB 29" _32.51 (M21, M25)
21	0131M00266 COND MOTOR 1/8 HP 8 PL PSC MOTOR (M1, M2, M6, M7, M9)	132	0121R00346PBBL Louver Panel, PBB 29" _36.30 (M28)
21	0131M00061 COND MOTOR, 1/4HP, 1SP, 8PL (M19, M23)	132	0121R00273PBBL PANEL, LOUVER 23_22.6, PNT BB (M3)
21	0131M00276 COND MOTOR, 1/8 HP, 1SP, 6PL (M3, M4, M5, M8, M12, M13)	132	0121R00274PBBL PANEL, LOUVER 23_25.2, PNT BB (M4, M5, M8, M12, M13)
21	0131M00294 COND MOTOR, 1/8HP, 1SP, 6PL (M10, M11)	132	0121R00275PBBL PANEL, LOUVER 23_30.24, PNT BB (M16)
41	0163M00006P ACORN NUT 5/16 HEX BLACK (QTY 4)	<b>Expanded Model Nomenclature</b>	
51	0150M00041 FAN BLADE (M17, M18)	M1 - VSX130181AA	
51	0150M00018 FAN BLADE 20" (M1, M6, M7, M10, M11)	M2 - VSX130181BA	
51	B1086750 FAN BLADE 22", 3 BLADE, 24° (M20, M21, M22, M24, M25, M26, M27, M28)	M3 - VSX130181DA	
51	B1086764 FAN BLADE TYPE 2 (M14, M15)	M4 - VSX130181EA	
51	B1086765 FAN BLADE TYPE 3 (M19, M23)	M5 - VSX130181EB	
51	0150M00029 FAN BLADE, 18" (M16)	M6 - VSX130241AA	
51	0150M00030 FAN BLADE, 18" (M3, M4, M5, M8, M12, M13)	M7 - VSX130241BA	
51	0150M00012 FAN BLADE-20" CCW (M2, M9)	M8 - VSX130241DA	
61	0161L00000 VENTURI RING 22" (M14, M15, M19, M20, M21, M22, M23, M24, M25, M26, M27, M28)	M9 - VSX130301AA	
111	0121R00102PBBB LOUVERED SIDE PANEL [LT OF CNTL PNL] (M1, M2, M6, M7, M9, M10, M17)	M10 - VSX130301AB	
111	0121R00124PBBB LOUVERED SIDE PANEL [LT OF CNTL PNL] (M14, M15)	M11 - VSX130301AC	
111	0121R00127PBBB LOUVERED SIDE PANEL [LT OF CNTL PNL] (M19, M20, M22, M23, M24, M26)	M12 - VSX130301DA	
111	0121R00175PBBB LOUVERED SIDE PANEL [LT OF CNTL PNL] (M27)	M13 - VSX130301DB	
121	0121R00131PBBB LOUVERED SIDE PANEL (M14, M15)	M14 - VSX130361AA	
121	0121R00134PBBB LOUVERED SIDE PANEL (M19, M20, M22, M23, M24, M26)	M15 - VSX130361BA	
121	0121R00176PBBB LOUVERED SIDE PANEL (M27)	M16 - VSX130361DA	
121	0121R00109PBBB LOUVERED SIDE PANEL-VERTICAL (M1, M2, M6, M7, M9, M10, M17)	M17 - VSX130361EA	
131	0121R00116PBB LOUVERED SIDE PANEL [RT OF CNTL PNL] (M1, M2, M6, M7, M9, M10, M17)	M18 - VSX130361EB	
131	0121R00138PBB LOUVERED SIDE PANEL [RT OF CNTL PNL] (M14, M15)	M19 - VSX130421AA	
131	0121R00141PBB LOUVERED SIDE PANEL [RT OF CNTL PNL] (M19, M20, M22, M23, M24, M26)	M20 - VSX130421AB	
131	0121R00177PBB LOUVERED SIDE PANEL [RT OF CNTL PNL] (M27)	M21 - VSX130421AC	
211	0161R00001P CONDUIT (M1, M2, M6, M7, M9, M10, M11, M17, M18)	M22 - VSX130421BA	
211	0161R00002P CONDUIT (M14, M15, M19, M20, M21, M22, M23, M24, M25, M26, M27, M28)	M23 - VSX130481AA	
211	0161R00032 conduit (M3, M4, M5, M8, M12, M13, M16)	M24 - VSX130481AB	
<i>Image 2:</i>		M25 - VSX130481AC	
112	0121R00347PBB Louver Post, PBB 23.73 (M11, M18)	M26 - VSX130481BA	
112	0121R00352PBB Louver Post, PBB 32.51 (M21, M25)	M27 - VSX130601BA	
112	0121R00354PBB Louver Post, PBB 36.30 (M28)	M28 - VSX130601BB	
112	0121R00279PBB POST, LOUVER 23_22.6, PNT BB (M3)		
112	0121R00280PBB POST, LOUVER 23_25.2, PNT BB (M4, M5, M8, M12, M13)		
112	0121R00281PBB POST, LOUVER 23_30.24, PNT BB (M16)		
122	0121R00336PBBR Louver Panel, PBB 26" _23.73 (M11, M18)		
122	0121R00344PBBR Louver Panel, PBB 29" _32.51 (M21, M25)		
122	0121R00346PBBR Louver Panel, PBB 29" _36.30 (M28)		