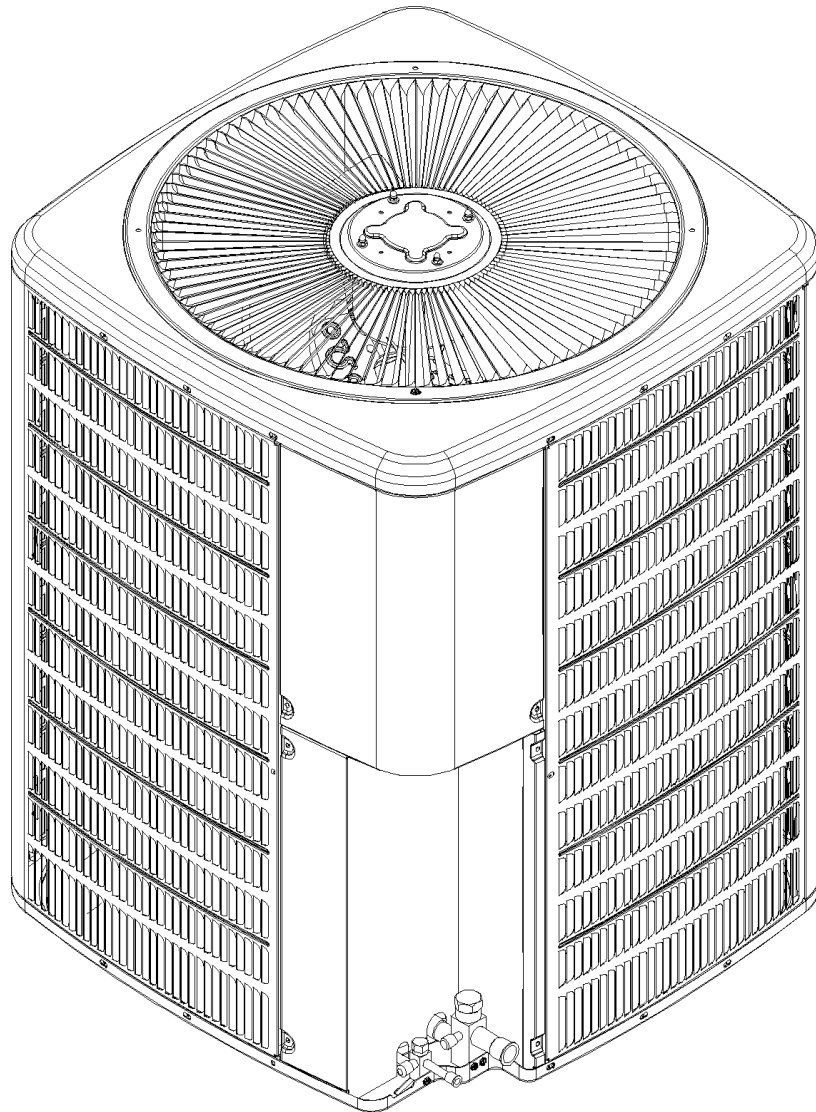


REPAIR PARTS

VSH13

Remote Heat Pumps

VSH130181AA
VSH130191AA
VSH130241AA
VSH130251AA
VSH130301AA
VSH130311AA
VSH130361AA
VSH130421AA
VSH130481AA
VSH130601AA



This manual is to be used by qualified technicians only.

This manual replaces RP-569

© 2009 Goodman Manufacturing Company, L.P. ♦ 5151 San Felipe, Suite 500 ♦ Houston, TX 77056

Important Information

Index

Functional Parts List	3
Illustration and Parts	4 - 9

Views shown are for parts illustrations only, not servicing procedures.

Rev. A: Added models VSH130181AA, VSH130191AA, VSH130311AA, VSH130361AA, and VSH130421AA.

Text Codes:

AR - As Required

NA - Not Available

NS - Not Shown

00000000 - See Note

QTY - Quantity Example (QTY 3) (If Quantity not shown, Quantity = 1)

M - Model Example (M1) (If M Code not shown, then part is used on all Models)

Expanded Model Nomenclature:

Example M1 - Model#1 M2 - Model#2 M3 - Model#3

Goodman Manufacturing Company, L.P. is not responsible for personal injury or property damage resulting from improper service. Review all service information before beginning repairs.

Warranty service must be performed by an authorized technician, using authorized factory parts. If service is required after the warranty expires, Goodman Manufacturing Company, L.P. also recommends contacting an authorized technician and using authorized factory parts.

Goodman Manufacturing Company, L.P. reserves the right to discontinue, or change at any time, specifications or designs without notice or without incurring obligations.

For assistance within the U.S.A. contact:
Consumer Affairs Department
Goodman Manufacturing Company, L.P.
7401 Security Way
Houston, Texas 77040
877-254-4729-Telephone
713-863-2382-Facsimile

For assistance outside the U.S.A. contact:
International Division
Goodman Manufacturing Company, L.P.
7401 Security Way
Houston, Texas 77040
713-861-2500-Telephone
713-863-2382-Facsimile

Functional Parts

Part

No: Description:

Expanded Model Nomenclature

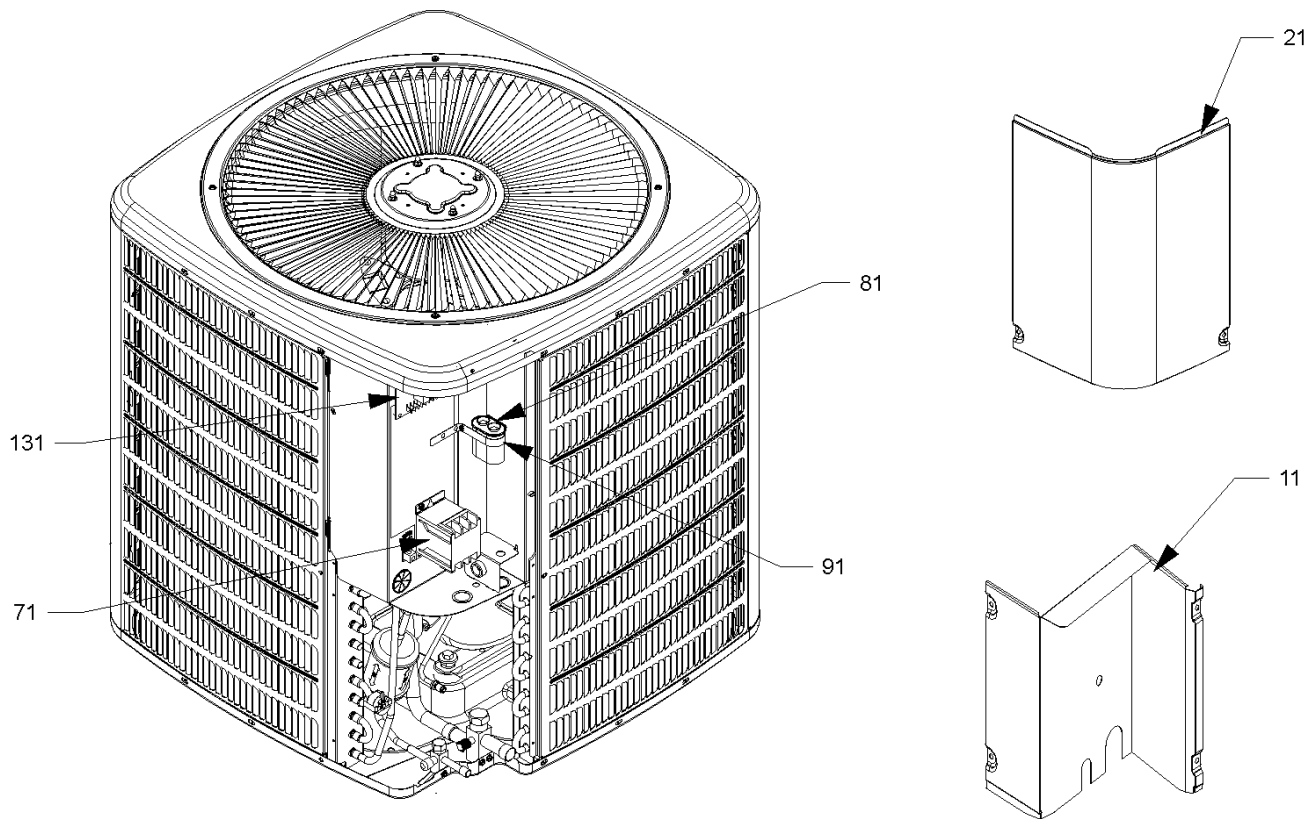
CAP050300440RSS	CAPACITOR 5/30/370V [CONTROL BOX] (M2, M3)
CAP050350440RSS	CAPACITOR 5/35/440V [CONTROL BOX] (M1, M4, M6, M7)
CAP050400370RSS	CAPACITOR 5/40/370V [CONTROL BOX] (M5)
CAP050500440RTS	CAPACITOR 5/50/440V [CONTROL BOX] (M8)
CAP050550440RTS	CAPACITOR 5/55/440V [CONTROL BOX] (M9)
CAP050800440RTS	CAPACITOR 5/80/440V [CONTROL BOX] (M10)
CR14K7PFV970	COMPRESSOR 14100, 208/230/60/1 (M1)
ZR16K4PFV930	COMPRESSOR 16500, 208/230/60/1 (M2)
CR19K7PFV970	COMPRESSOR 19300, 208/230/60/1 (M3)
ZR22K4PFV930	COMPRESSOR 22000, 208/230/60/1 (M4)
ZR24K4PFV930	COMPRESSOR 24000, 208/230/60/1 (M6)
CR24K7PFV970	COMPRESSOR 24300, 208/230/60/1 (M5)
CR28K7PFV970	COMPRESSOR 28300, 208/230/60/1 (M7)
ZR36K3PFV930	COMPRESSOR 36900, 208/230/60/1 (M8)
ZR40K3PFV930	COMPRESSOR 40600, 208/230/60/1 (M9)
ZR52K3PFV930	COMPRESSOR 52000, 208/230/60/1 (M10)
0131M00014PS	COND MOTOR 1/4 HP, 1 SP, 8 PL (M7, M8, M9)
0131M00012PS	COND MOTOR 1/6 HP, 1 SP, 8 PL (M10)
0131M00060S	COND MOTOR 1/6 HP, 1 SP, 8 PL (M1, M2, M3, M4, M5, M6)
CONT2P025024VS	CONTACTOR 25 AMP, 2P, 24V (M1, M2, M3, M4, M5, M6)
CONT2P030024VS	CONTACTOR 30 AMP, 2P, 24V (M7, M8, M9)
CONT2P040024VS	CONTACTOR 40 AMP, 2P, 24V (M10)
B1360719	CUT-OUT SWITCH, LOW PRESSURE
PCBDM101S	DEFROST CONTROL BOARD
B1370803	DEFROST THERMOSTAT

M1 - VSH130181AA
M2 - VSH130191AA
M3 - VSH130241AA
M4 - VSH130251AA
M5 - VSH130301AA
M6 - VSH130311AA
M7 - VSH130361AA
M8 - VSH130421AA
M9 - VSH130481AA
M10 - VSH130601AA

SPECIAL PARTS

IO-259F	INSTALLATION INSTRUCTIONS
0140R00153	LABEL LOGO, GMC
RP-569A	REPAIR PARTS MANUAL

Control Cover/Control Box



Control Cover/Control Box

Ref. Part No:	Ref. Part No:	Description:	Description:
---------------	---------------	--------------	--------------

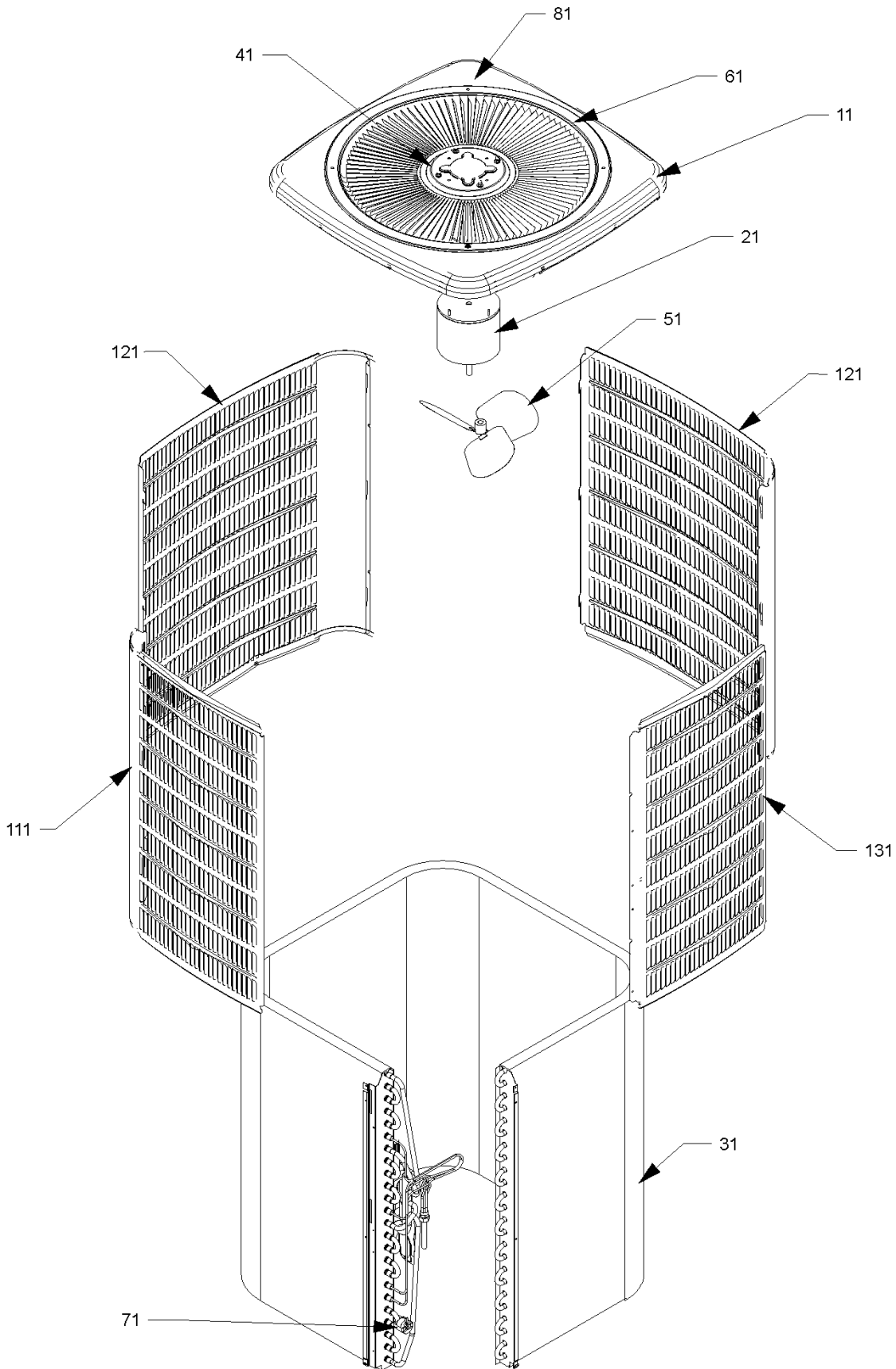
Image 1:

11	4400201PBB	LOWER ACCESS PANEL (M1, M2, M3, M4, M8)
11	4400202PBB	LOWER ACCESS PANEL (M5, M6, M9, M10)
11	4400205PBB	LOWER ACCESS PANEL (M7)
21	0121R00053PBB	CONTROL COVER
71	CONT2P025024VS	CONTACTOR 25 AMP, 2P, 24V (M1, M2, M3, M4, M5, M6)
71	CONT2P030024VS	CONTACTOR 30 AMP, 2P, 24V (M7, M8, M9)
71	CONT2P040024VS	CONTACTOR 40 AMP, 2P, 24V (M10)
81	CAP050300440RSS	CAPACITOR 5/30/370V [CONTROL BOX] (M2, M3)
81	CAP050350440RSS	CAPACITOR 5/35/440V [CONTROL BOX] (M1, M4, M6, M7)
81	CAP050400370RSS	CAPACITOR 5/40/370V [CONTROL BOX] (M5)
81	CAP050500440RTS	CAPACITOR 5/50/440V [CONTROL BOX] (M8)
81	CAP050550440RTS	CAPACITOR 5/55/440V [CONTROL BOX] (M9)
81	CAP050800440RTS	CAPACITOR 5/80/440V [CONTROL BOX] (M10)
91	4400065	CAPACITOR STRAP
131	PCBDM101S	DEFROST CONTROL BOARD
NS	0140R00153	LABEL LOGO, GMC

Expanded Model Nomenclature

M1 - VSH130181AA
M2 - VSH130191AA
M3 - VSH130241AA
M4 - VSH130251AA
M5 - VSH130301AA
M6 - VSH130311AA
M7 - VSH130361AA
M8 - VSH130421AA
M9 - VSH130481AA
M10 - VSH130601AA

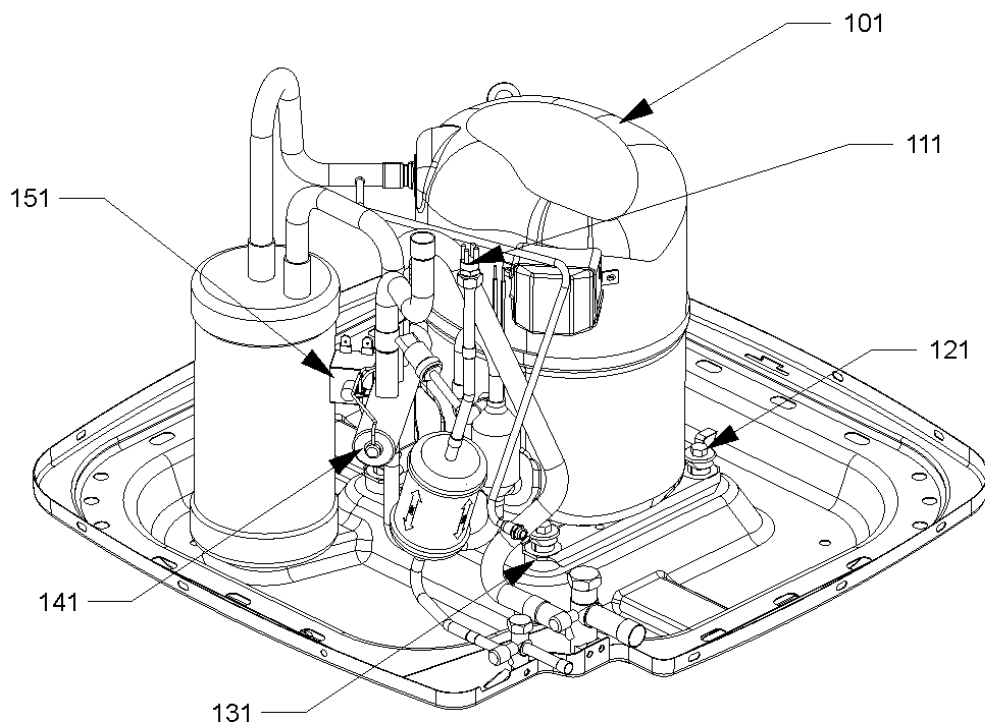
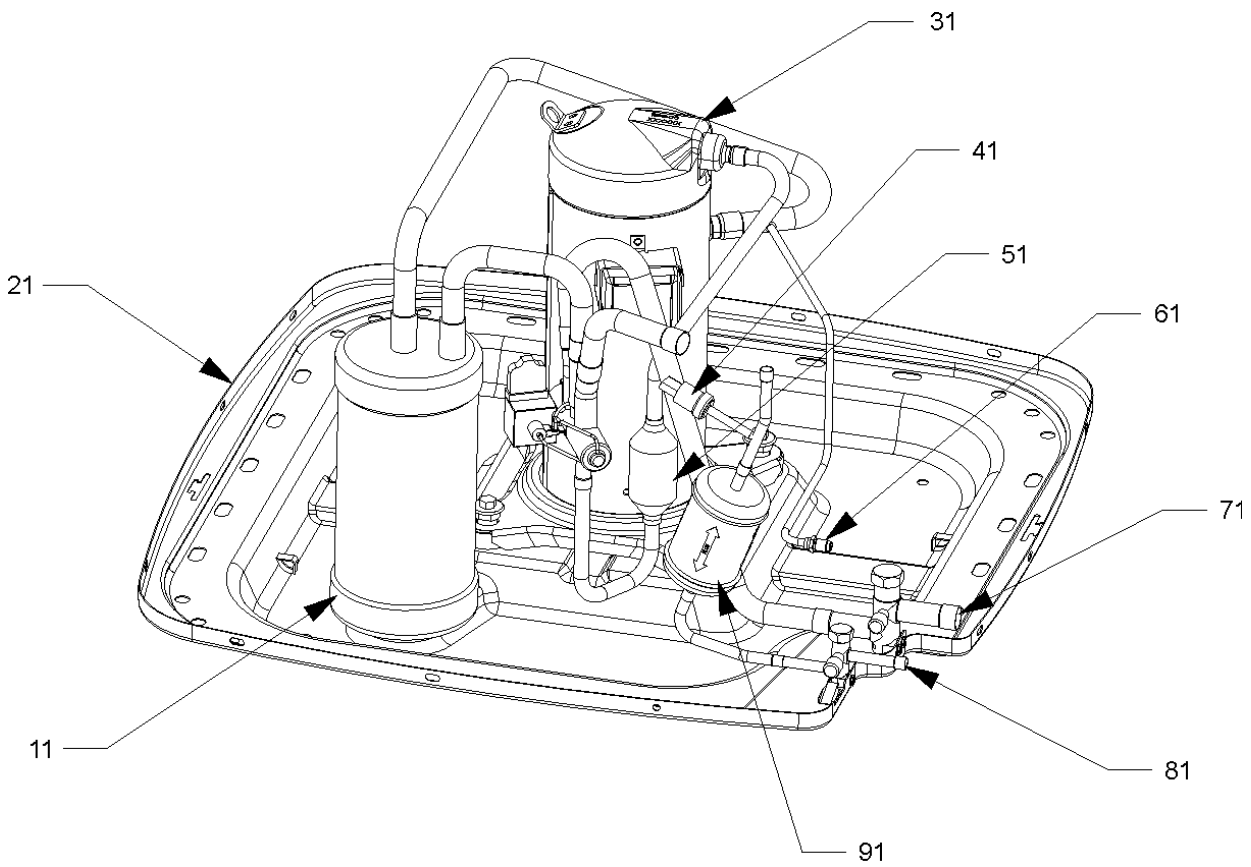
Cabinet Top/Side Panels/Cond Coil



Cabinet Top/Side Panels/Cond Coil

Ref. Part No:	No:	Description:	Ref. Part No:	No:	Description:
<i>Image 1:</i>			<i>Image 1:</i>		
11	0121R00008PBB	TOP PANEL 26" (M1, M3, M5)	NS	0161R00001P	CONDUIT (M1, M3, M5)
11	0121R00010PBB	TOP PANEL 29" (M2, M4, M6, M7, M8, M9)	NS	0161R00002P	CONDUIT (M2, M4, M6, M7, M8, M9)
11	0121R00012PBB	TOP PANEL 35" (M10)	NS	0161R00004P	CONDUIT (M10)
21	0131M00014PS	COND MOTOR 1/4 HP, 1 SP, 8 PL (M7, M8, M9)	Expanded Model Nomenclature		
21	0131M00012PS	COND MOTOR 1/6 HP, 1 SP, 8 PL (M10)	<div style="border: 1px solid black; padding: 5px;"> M1 - VSH130181AA M2 - VSH130191AA M3 - VSH130241AA M4 - VSH130251AA M5 - VSH130301AA M6 - VSH130311AA M7 - VSH130361AA M8 - VSH130421AA M9 - VSH130481AA M10 - VSH130601AA </div>		
21	0131M00060S	COND MOTOR 1/6 HP, 1 SP, 8 PL (M1, M2, M3, M4, M5, M6)			
31	0201R00058S	TUBING ASSY, COND COIL (M4)			
31	0201R00066S	TUBING ASSY, COND COIL (M6)			
31	0201R00068S	TUBING ASSY, COND COIL (M9)			
31	0201R00070S	TUBING ASSY, COND COIL (M8)			
31	0201R00196S	TUBING ASSY, COND COIL (M5)			
31	0201R00207	TUBING ASSY, COND COIL (M1)			
31	0201R00210	TUBING ASSY, COND COIL (M3)			
31	1362200	TUBING ASSY, COND COIL (M2)			
31	1362203	TUBING ASSY, COND COIL (M7)			
31	1362206	TUBING ASSY, COND COIL (M10)			
41	0163M00006P	ACORN NUT 5/16 HEX BLACK (QTY 4)			
51	0150M00018S	FAN BLADE 20" (M1, M3)			
51	0150M00012S	FAN BLADE 20" CCW (M5)			
51	B1086775S	FAN BLADE 22" (M2, M4, M6)			
51	0150M00008S	FAN BLADE 22" TNT2203-25 (M7, M8)			
51	10625738S	FAN BLADE 26" ALUM CCW (M10)			
51	B1086765S	FAN BLADE TYPE 3 (M9)			
61	0161L00000	VENTURI RING 22" (M2, M4, M6, M7, M8, M9)			
61	0161R00007P	VENTURI RING 35" (M10)			
71	B1370803	DEFROST THERMOSTAT			
111	0121R00015PBBB	LOUVERED SIDE PANEL-VERTICAL (M1, M3)			
111	0121R00024PBBB	LOUVERED SIDE PANEL-VERTICAL (M2, M4, M8)			
111	0121R00025PBBB	LOUVERED SIDE PANEL-VERTICAL (M6, M9)			
111	0121R00027PBBB	LOUVERED SIDE PANEL-VERTICAL (M7)			
111	0121R00042PBBB	LOUVERED SIDE PANEL-VERTICAL (M10)			
111	0121R00151PBBB	LOUVERED SIDE PANEL-VERTICAL (M5)			
121	0121R00018PBBB	LOUVERED SIDE PANEL-VERTICAL (M1, M3)			
121	0121R00030PBBB	LOUVERED SIDE PANEL-VERTICAL (M2, M4, M8)			
121	0121R00031PBBB	LOUVERED SIDE PANEL-VERTICAL (M6, M9)			
121	0121R00033PBBB	LOUVERED SIDE PANEL-VERTICAL (M7)			
121	0121R00046PBBB	LOUVERED SIDE PANEL-VERTICAL (M10)			
121	0121R00152PBBB	LOUVERED SIDE PANEL-VERTICAL (M5)			
131	0121R00021PBB	LOUVERED SIDE PANEL-VERTICAL (M1, M3)			
131	0121R00036PBB	LOUVERED SIDE PANEL-VERTICAL (M2, M4, M8)			
131	0121R00037PBB	LOUVERED SIDE PANEL-VERTICAL (M6, M9)			
131	0121R00039PBB	LOUVERED SIDE PANEL-VERTICAL (M7)			
131	0121R00050PBB	LOUVERED SIDE PANEL-VERTICAL (M10)			
131	0121R00153PBB	LOUVERED SIDE PANEL-VERTICAL (M5)			

Tubing Assembly



Tubing Assembly

Ref. Part No:	Part No:	Description:	Ref. Part No:	Part No:	Description:
<i>Image 1:</i>			<i>Image 1:</i>		
11	B1226206	ACCUMULATOR (M1, M2, M3, M4, M5, M6)	NS	B1789865	FLOW CHECK PISTON KIT .065 (M6)
11	B1226207	ACCUMULATOR .875 (M7, M8, M9, M10)	NS	B1789870	FLOW CHECK PISTON KIT .070 (M5)
21	0121R00005PBB	BASE PAN 26" (M1, M3, M5)	NS	B1789873	FLOW CHECK PISTON KIT .073 (M7)
21	0121R00006PBB	BASE PAN 29" (M2, M4, M6, M7, M8, M9)	NS	B1789882	FLOW CHECK PISTON KIT .082 (M8)
21	0121R00007PBB	BASE PAN 35" (M10)	NS	B1789884	FLOW CHECK PISTON KIT .084 (M9)
31	ZR16K4PFV930	COMPRESSOR 16500, 208/230/60/1 (M2)	NS	B1225022S	SOLENOID COIL
31	ZR22K4PFV930	COMPRESSOR 22000, 208/230/60/1 (M4)	Expanded Model Nomenclature		
31	ZR24K4PFV930	COMPRESSOR 24000, 208/230/60/1 (M6)	<div style="border: 1px solid black; padding: 5px;"> M1 - VSH130181AA M2 - VSH130191AA M3 - VSH130241AA M4 - VSH130251AA M5 - VSH130301AA M6 - VSH130311AA M7 - VSH130361AA M8 - VSH130421AA M9 - VSH130481AA M10 - VSH130601AA </div>		
31	ZR36K3PFV930	COMPRESSOR 36900, 208/230/60/1 (M8)			
31	ZR40K3PFV930	COMPRESSOR 40600, 208/230/60/1 (M9)			
31	ZR52K3PFV930	COMPRESSOR 52000, 208/230/60/1 (M10)			
41	B1360719	CUT-OUT SWITCH, LOW PRESSURE			
51	B1219301	MUFFLER 1/2 X 1/2 (M1, M3, M4, M5, M6, M7)			
61	B1787000	VALVE CORE			
71	0151R00002P	3/4" SERVICE VALVE OPEN LEFT (M1, M2, M3, M4, M5, M6)			
71	0151R00003P	7/8" SERVICE VALVE OPEN LEFT (M7, M8, M9, M10)			
81	B12825171	3/8" SERVICE VALVE			
91	B1219204	BI-FLOW FILTER DRIER, STEEL			
101	CR14K7PFV970	COMPRESSOR 14100, 208/230/60/1 (M1)			
101	CR19K7PFV970	COMPRESSOR 19300, 208/230/60/1 (M3)			
101	CR24K7PFV970	COMPRESSOR 24300, 208/230/60/1 (M5)			
101	CR28K7PFV970	COMPRESSOR 28300, 208/230/60/1 (M7)			
111	0162M00013PS	FLOWRATOR .039 (M2)			
111	0162M00089S	FLOWRATOR .039 (M1)			
111	0162M00032S	FLOWRATOR .046 (M4)			
111	0162M00091S	FLOWRATOR .047 (M3)			
111	0162M00015PS	FLOWRATOR .049 (M6)			
111	0162M00016PS	FLOWRATOR .055 (M7)			
111	0162M00090S	FLOWRATOR .057 (M5)			
111	0162M00017PS	FLOWRATOR .062 (M8)			
111	0162M00018PS	FLOWRATOR .065 (M9)			
111	0162M00038	FLOWRATOR .076 (M10)			
121	M0221641	TF SHOULDER SCREW (QTY 4)			
131	B1339530	COMPRESSOR GROMMET (M1, M3, M5, M7)			
131	B1339533	COMPRESSOR GROMMET (M2, M4, M6, M8, M9, M10)			
141	B1227315S	REVERSING VALVE (M1, M2, M3, M4)			
141	B1227316S	REVERSING VALVE (M5, M6)			
141	B1227317S	REVERSING VALVE (M7, M9, M10)			
141	B1227318S	REVERSING VALVE (M8)			
151	B1225020	SOLENOID COIL CORD W/1/4" TERMINAL			
NS	B1789852	FLOW CHECK PISTON KIT .052 (M2)			
NS	B1789855	FLOW CHECK PISTON KIT .055 (M1)			
NS	B1789861	FLOW CHECK PISTON KIT .061 (M3, M4)			

