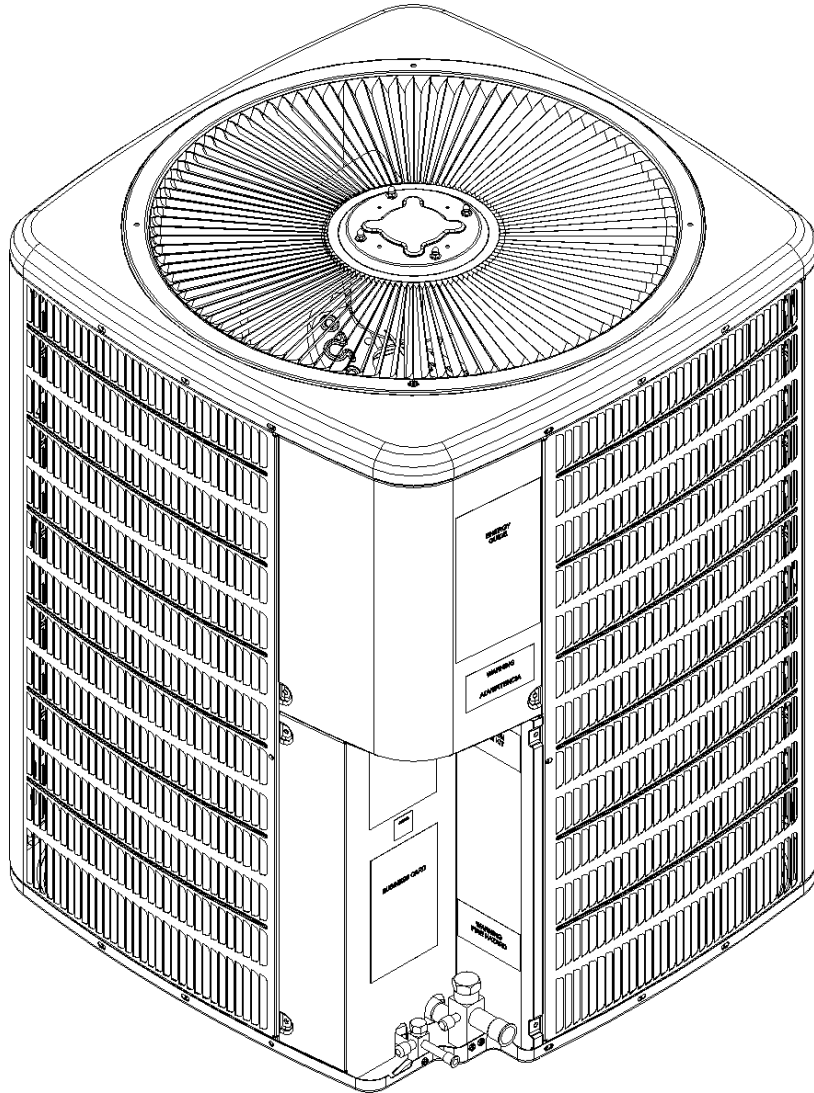


# REPAIR PARTS

---

## VSC13 Remote Condensing Units

VSC130181AA  
VSC130181BA  
VSC130241AA  
VSC130301AA  
VSC130301BA  
VSC130361AA  
VSC130361BA  
VSC130421AA  
VSC130481AA  
VSC130601AA



This manual is to be used by qualified technicians only.

This manual replaces RP-568A.

© 2009 Goodman Manufacturing Company, L.P. ♦ 5151 San Felipe, Suite 500 ♦ Houston, TX 77056

# Important Information

---

## Index

Functional Parts List .....	3
Illustration and Parts .....	4 - 9

*Views shown are for parts illustrations only, not servicing procedures.*

Rev. B: Added model VSC130181BA.

### Text Codes:

AR - As Required

NA - Not Available

NS - Not Shown

00000000 - See Note

QTY - Quantity Example (QTY 3) (If Quantity not shown, Quantity = 1)

M - Model Example (M1) (If M Code not shown, then part is used on all Models)

### Expanded Model Nomenclature:

Example M1 - Model#1 M2 - Model#2 M3 - Model#3
---

Goodman Manufacturing Company, L.P. is not responsible for personal injury or property damage resulting from improper service. Review all service information before beginning repairs.

Warranty service must be performed by an authorized technician, using authorized factory parts. If service is required after the warranty expires, Goodman Manufacturing Company, L.P. also recommends contacting an authorized technician and using authorized factory parts.

Goodman Manufacturing Company, L.P. reserves the right to discontinue, or change at any time, specifications or designs without notice or without incurring obligations.

For assistance within the U.S.A. contact:  
Consumer Affairs Department  
Goodman Manufacturing Company, L.P.  
7401 Security Way  
Houston, Texas 77040  
877-254-4729-Telephone  
713-863-2382-Facsimile

For assistance outside the U.S.A. contact:  
International Division  
Goodman Manufacturing Company, L.P.  
7401 Security Way  
Houston, Texas 77040  
713-861-2500-Telephone  
713-863-2382-Facsimile

# Functional Parts

## Part

## No: Description:

---

CAP050350440RSS	CAPACITOR 5/35/440V [CONTROL BOX] (M1, M2, M3, M6, M7)
CAP050400370RSS	CAPACITOR 5/40/370V [CONTROL BOX] (M4, M5)
CAP050450370RSS	CAPACITOR 5/45/370V [CONTROL BOX] (M9)
CAP050500440RTS	CAPACITOR 5/50/440V [CONTROL BOX] (M8)
CAP050800440RTS	CAPACITOR 5/80/440V [CONTROL BOX] (M10)
ZR16K4PFV930	COMPRESSOR 16500, 208/230/60/1 (M1, M2)
CR18K7PFV930	COMPRESSOR 17500, 208/230/60/1 (M3)
CR23K7PFV930	COMPRESSOR 22600, 208/230/60/1 (M4, M5)
CR28K7PFV930	COMPRESSOR 28300, 208/230/60/1 (M6, M7)
ZR34K3PFV930	COMPRESSOR 34400, 208/230/60/1 (M8)
ZR52K3PFV930	COMPRESSOR 52000, 208/230/60/1 (M10)
750325200112	COMPRESSOR-BRISTOL (M9)
0131M00018PS	COND MOTOR 1/4 HP, 1 SP, 6 PL (M8)
0131M00014PS	COND MOTOR 1/4 HP, 1 SP, 8 PL (M9)
0131M00012PS	COND MOTOR 1/6 HP, 1 SP, 8 PL (M10)
0131M00060S	COND MOTOR 1/6 HP, 1 SP, 8 PL (M1, M2, M3, M4, M5, M6, M7)
CONT2P025024VS	CONTACTOR 25 AMP, 2P, 24V (M1, M2, M3, M4, M5, M6, M7, M8)
CONT2P030024VS	CONTACTOR 30 AMP, 2P, 24V (M9)
CONT2P040024VS	CONTACTOR 40 AMP, 2P, 24V (M10)

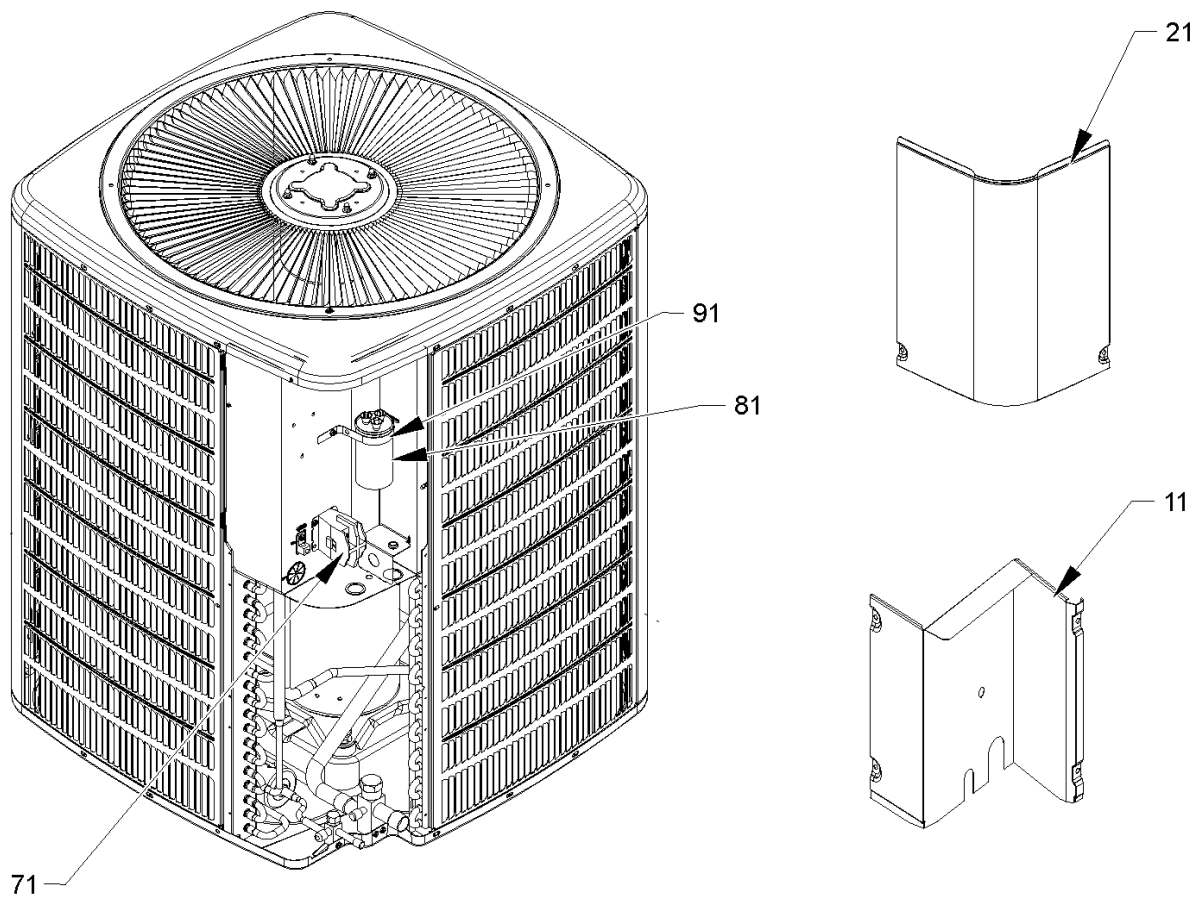
### SPECIAL PARTS

IO-258F	INSTALLATION INSTRUCTIONS
0140R00153	LABEL LOGO, GMC
RP-568B	REPAIR PARTS MANUAL

### Expanded Model Nomenclature

M1 - VSC130181AA
M2 - VSC130181BA
M3 - VSC130241AA
M4 - VSC130301AA
M5 - VSC130301BA
M6 - VSC130361AA
M7 - VSC130361BA
M8 - VSC130421AA
M9 - VSC130481AA
M10 - VSC130601AA

# Control Cover/Control Box



# Control Cover/Control Box

Ref. Part No:	Part No:	Description:	Ref. Part No:	Part No:	Description:
---------------	----------	--------------	---------------	----------	--------------

Image 1:

11	0121R00094PBB	LOWER ACCESS PANEL (M2, M3)
11	0121R00096PBB	LOWER ACCESS PANEL (M5, M7)
11	4400200PBB	LOWER ACCESS PANEL (M1)
11	4400202PBB	LOWER ACCESS PANEL (M4, M6, M8)
11	4400205PBB	LOWER ACCESS PANEL (M9, M10)
21	0121R00053PBB	CONTROL COVER
71	CONT2P025024VS	CONTACTOR 25 AMP, 2P, 24V (M1, M2, M3, M4, M5, M6, M7, M8)
71	CONT2P030024VS	CONTACTOR 30 AMP, 2P, 24V (M9)
71	CONT2P040024VS	CONTACTOR 40 AMP, 2P, 24V (M10)
81	CAP050350440RSS	CAPACITOR 5/35/440V [CONTROL BOX] (M1, M2, M3, M6, M7)
81	CAP050400370RSS	CAPACITOR 5/40/370V [CONTROL BOX] (M4, M5)
81	CAP050450370RSS	CAPACITOR 5/45/370V [CONTROL BOX] (M9)
81	CAP050500440RTS	CAPACITOR 5/50/440V [CONTROL BOX] (M8)
81	CAP050800440RTS	CAPACITOR 5/80/440V [CONTROL BOX] (M10)
91	4400065	CAPACITOR STRAP
NS	0140R00153	LABEL LOGO, GMC

Expanded Model Nomenclature

M1 - VSC130181AA
M2 - VSC130181BA
M3 - VSC130241AA
M4 - VSC130301AA
M5 - VSC130301BA
M6 - VSC130361AA
M7 - VSC130361BA
M8 - VSC130421AA
M9 - VSC130481AA
M10 - VSC130601AA

# Coil/Compressor/Tubing Assembly

Image 1

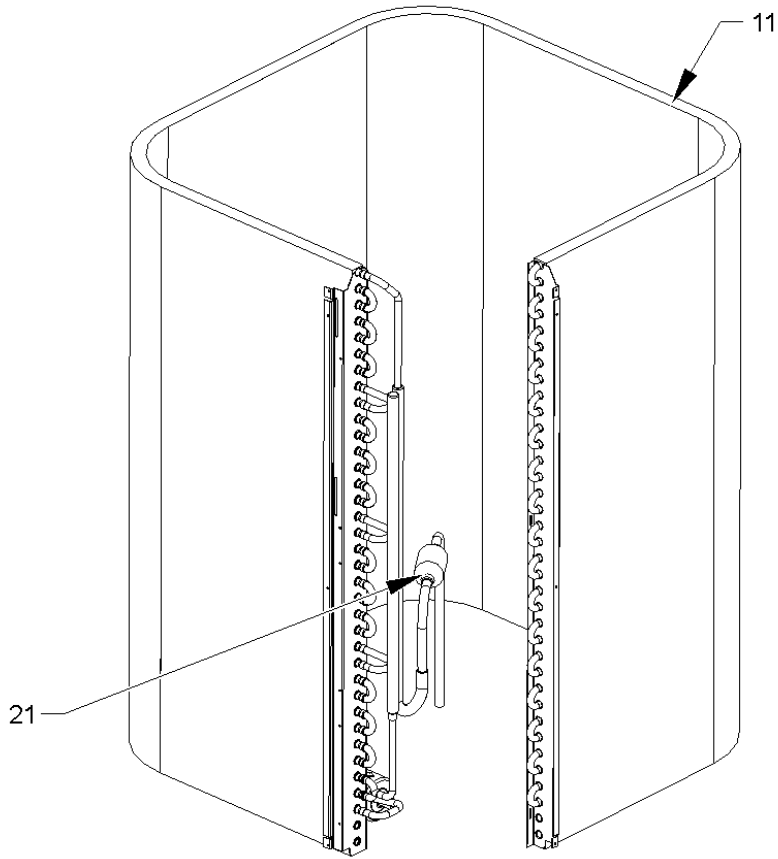


Image 2

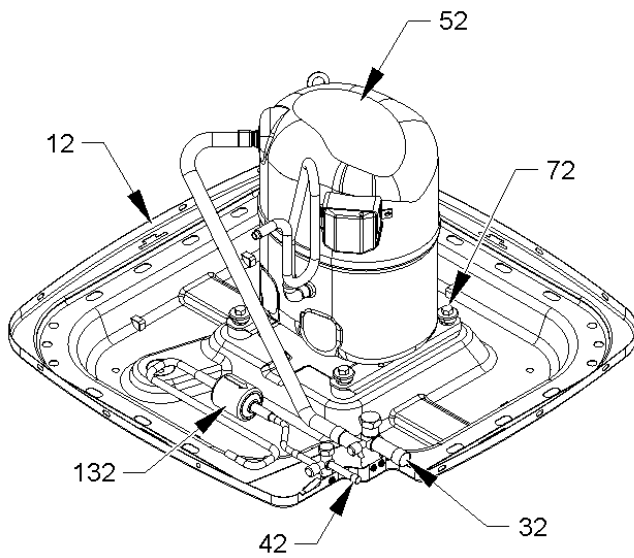
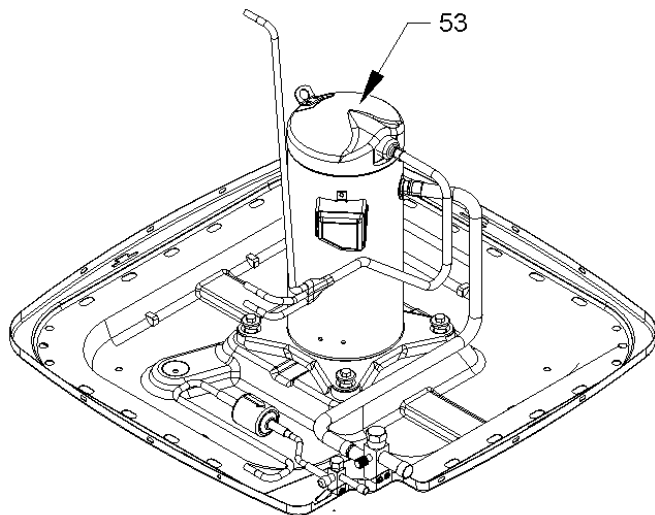


Image 3



# Coil/Compressor/Tubing Assembly

Ref. Part No: No:	Description:	Ref. Part No: No:	Description:
-------------------	--------------	-------------------	--------------

*Image 1:*

11	0201R00177S	TUBING ASSY, COND COIL (M2, M3)
11	0201R00181S	TUBING ASSY, COND COIL (M4)
11	0201R00232	TUBING ASSY, COND COIL (M5)
11	0201R00238	TUBING ASSY, COND COIL (M7)
11	1362100	TUBING ASSY, COND COIL (M1)
11	1362104	TUBING ASSY, COND COIL (M6, M8)
11	1362105	TUBING ASSY, COND COIL (M9)
11	1362106	TUBING ASSY, COND COIL (M10)
21	B1219301	MUFFLER 1/2 X 1/2 (M9)
NS	M0221641	TF SHOULDER SCREW (QTY 4)

Expanded Model Nomenclature

M1 - VSC130181AA
M2 - VSC130181BA
M3 - VSC130241AA
M4 - VSC130301AA
M5 - VSC130301BA
M6 - VSC130361AA
M7 - VSC130361BA
M8 - VSC130421AA
M9 - VSC130481AA
M10 - VSC130601AA

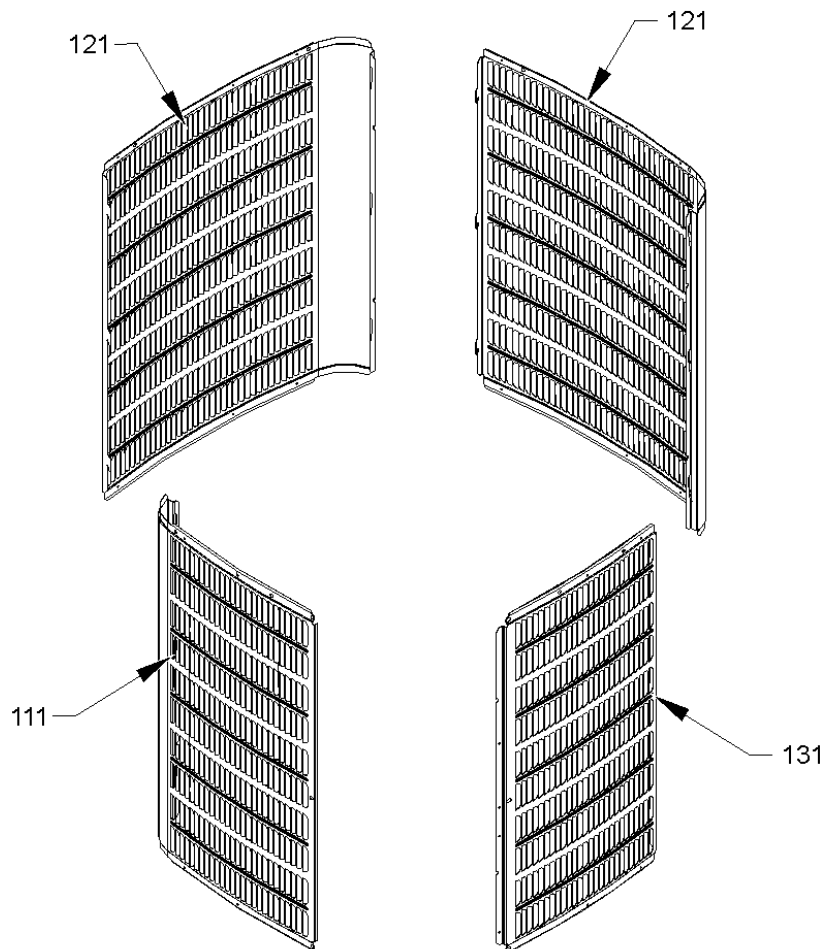
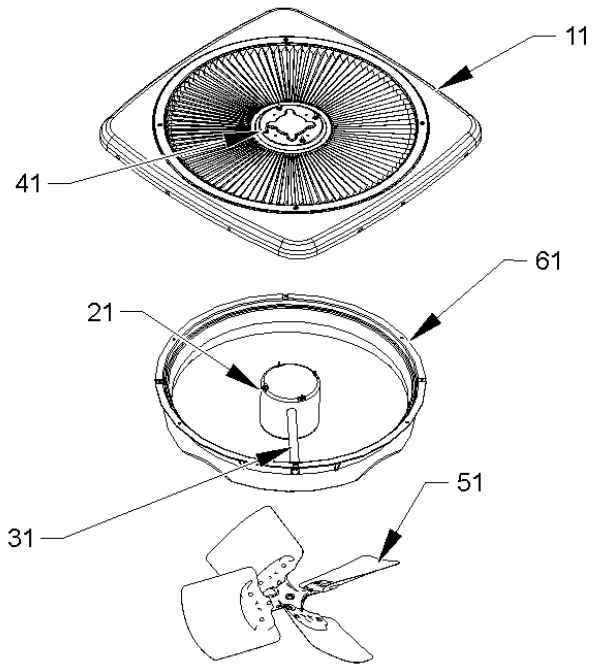
*Image 2:*

12	0121R00005PBB	BASE PAN 26" (M1, M2, M3, M4, M5)
12	0121R00006PBB	BASE PAN 29" (M6, M7, M8, M9)
12	0121R00007PBB	BASE PAN 35" (M10)
32	0151R00002P	3/4" SERVICE VALVE OPEN LEFT (M1, M2, M3, M4, M5, M6, M7)
32	0151R00003P	7/8" SERVICE VALVE OPEN LEFT (M8, M9, M10)
42	B12825171	3/8" SERVICE VALVE
52	CR18K7PFV930	COMPRESSOR 17500, 208/230/60/1 (M3)
52	CR23K7PFV930	COMPRESSOR 22600, 208/230/60/1 (M4, M5)
52	CR28K7PFV930	COMPRESSOR 28300, 208/230/60/1 (M6, M7)
52	750325200112	COMPRESSOR-BRISTOL (M9)
132	B1219212	SINGLE-FLOW FILTER DRIER, STEEL (M1, M2, M3, M4, M5, M6, M7)
132	B1219225	SINGLE-FLOW FILTER DRIER, STEEL (M8, M9, M10)
992	0164M00000P	COMPRESSOR GROMMET-PANASONIC (M1, M2)
NS	B1339530	COMPRESSOR GROMMET (M3, M4, M5, M6, M7)
NS	B1339533	COMPRESSOR GROMMET (M8, M9, M10)
NS	0159R00002P	COMPRESSOR SCROLL HARNESS (M8)
NS	B1789855	FLOW CHECK PISTON KIT .055 (M1, M2)
NS	B1789882	FLOW CHECK PISTON KIT .082 (M9)

*Image 3:*

53	ZR16K4PFV930	COMPRESSOR 16500, 208/230/60/1 (M1, M2)
53	ZR34K3PFV930	COMPRESSOR 34400, 208/230/60/1 (M8)
53	ZR52K3PFV930	COMPRESSOR 52000, 208/230/60/1 (M10)

# Cabinet Top/Side Panels





# Cabinet Top/Side Panels

Ref. Part No:	No:	Description:	Ref. Part No:	No:	Description:
<i>Image 1:</i>			Expanded Model Nomenclature		
11	0121R00008PBB	TOP PANEL 26" (M1, M2, M3, M4, M5)	M1 -	VSC130181AA	
11	0121R00010PBB	TOP PANEL 29" (M6, M7, M8, M9)	M2 -	VSC130181BA	
11	0121R00012PBB	TOP PANEL 35" (M10)	M3 -	VSC130241AA	
21	0131M00018PS	COND MOTOR 1/4 HP, 1 SP, 6 PL (M8)	M4 -	VSC130301AA	
21	0131M00014PS	COND MOTOR 1/4 HP, 1 SP, 8 PL (M9)	M5 -	VSC130301BA	
21	0131M00012PS	COND MOTOR 1/6 HP, 1 SP, 8 PL (M10)	M6 -	VSC130361AA	
21	0131M00060S	COND MOTOR 1/6 HP, 1 SP, 8 PL (M1, M2, M3, M4, M5, M6, M7)	M7 -	VSC130361BA	
41	0163M00006P	ACORN NUT 5/16 HEX BLACK (QTY 4)	M8 -	VSC130421AA	
51	0150M00018S	FAN BLADE 20" (M1)	M9 -	VSC130481AA	
51	0150M00012S	FAN BLADE 20" CCW (M2, M3, M4, M5)	M10 -	VSC130601AA	
51	B1086775S	FAN BLADE 22" (M8)			
51	0150M00008S	FAN BLADE 22" TNT2203-25 (M6, M7)			
51	10625738S	FAN BLADE 26" ALUM CCW (M10)			
51	B1086765S	FAN BLADE TYPE 3 (M9)			
61	0161L00000	VENTURI RING 22" (M7, M9)			
61	0161R00007P	VENTURI RING 35" (M10)			
71	0161R00001P	CONDUIT (M1, M2, M3, M4, M5)			
71	0161R00002P	CONDUIT (M7, M9)			
71	0161R00003P	CONDUIT (M6, M8)			
71	0161R00004P	CONDUIT (M10)			
111	0121R00014PBBB	LOUVERED SIDE PANEL-VERTICAL (M1)			
111	0121R00025PBBB	LOUVERED SIDE PANEL-VERTICAL (M6, M8)			
111	0121R00027PBBB	LOUVERED SIDE PANEL-VERTICAL (M9)			
111	0121R00043PBBB	LOUVERED SIDE PANEL-VERTICAL (M10)			
111	0121R00102PBBB	LOUVERED SIDE PANEL-VERTICAL (M2, M3)			
111	0121R00125PBBB	LOUVERED SIDE PANEL-VERTICAL (M7)			
111	0121R00151PBBB	LOUVERED SIDE PANEL-VERTICAL (M4)			
111	0121R00171PBBB	LOUVERED SIDE PANEL-VERTICAL (M5)			
121	0121R00017PBBB	LOUVERED SIDE PANEL-VERTICAL (M1)			
121	0121R00031PBBB	LOUVERED SIDE PANEL-VERTICAL (M6, M8)			
121	0121R00033PBBB	LOUVERED SIDE PANEL-VERTICAL (M9)			
121	0121R00047PBBB	LOUVERED SIDE PANEL-VERTICAL (M10)			
121	0121R00109PBBB	LOUVERED SIDE PANEL-VERTICAL (M2, M3)			
121	0121R00132PBBB	LOUVERED SIDE PANEL-VERTICAL (M7)			
121	0121R00152PBBB	LOUVERED SIDE PANEL-VERTICAL (M4)			
121	0121R00172PBBB	LOUVERED SIDE PANEL-VERTICAL (M5)			
131	0121R00020PBB	LOUVERED SIDE PANEL-VERTICAL (M1)			
131	0121R00037PBB	LOUVERED SIDE PANEL-VERTICAL (M6, M8)			
131	0121R00039PBB	LOUVERED SIDE PANEL-VERTICAL (M9)			
131	0121R00051PBB	LOUVERED SIDE PANEL-VERTICAL (M10)			
131	0121R00116PBB	LOUVERED SIDE PANEL-VERTICAL (M2, M3)			
131	0121R00139PBB	LOUVERED SIDE PANEL-VERTICAL (M7)			
131	0121R00153PBB	LOUVERED SIDE PANEL-VERTICAL (M4)			
131	0121R00173PBB	LOUVERED SIDE PANEL-VERTICAL (M5)			

