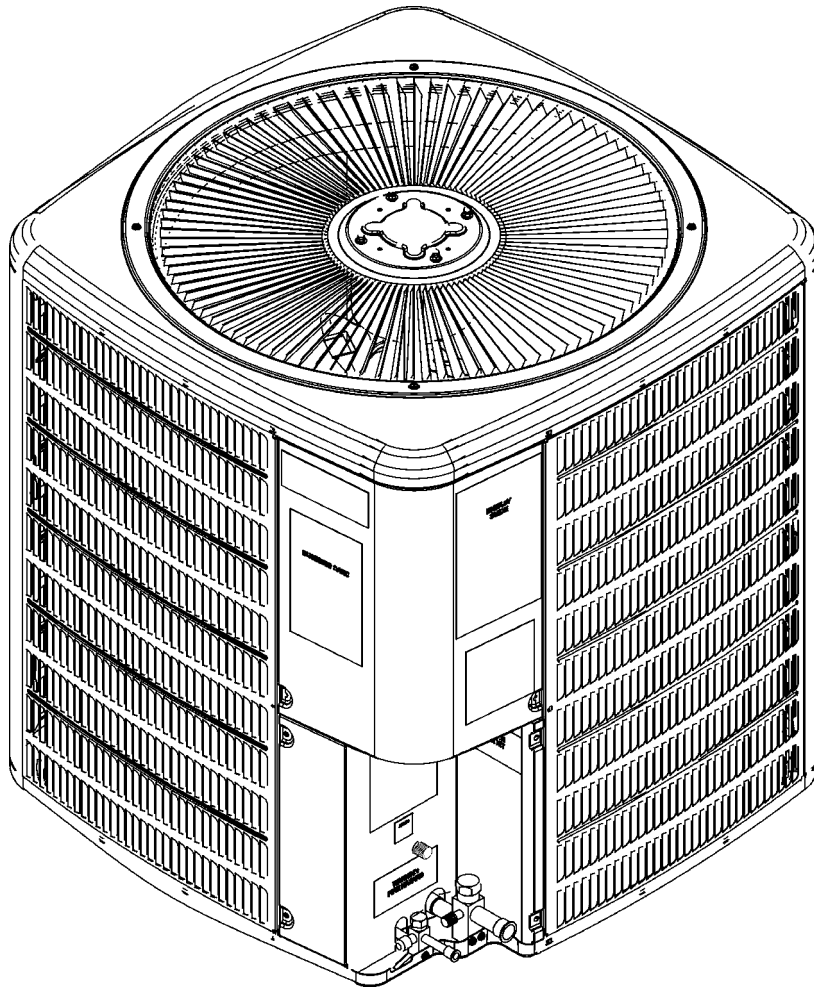


REPAIR PARTS

SSZ16 Remote Heat Pump Unit

SSZ160241AA
SSZ160241AB
SSZ160241AC
SSZ160241AD
SSZ160241AE
SSZ160241AF
SSZ160241AG
SSZ160361AA
SSZ160361AB
SSZ160361AC
SSZ160361AD
SSZ160361AE
SSZ160481AA
SSZ160481AB
SSZ160481AC
SSZ160481AD
SSZ160481AE
SSZ160601AA
SSZ160601AB
SSZ160601AC
SSZ160601AD
SSZ160601AE
SSZ160601BA



This manual is to be used by qualified technicians only.

This manual replaces RP-362G

© 2006-2010 Goodman Manufacturing Company, L.P. ♦ 5151 San Felipe, Suite 500 ♦ Houston, TX 77056

Important Information

Index

Functional Parts List	3
Illustration and Parts	4 - 9

Views shown are for parts illustrations only, not servicing procedures.

Revision H: Added models SSZ160241AG, SSZ160361AE, SSZ160481AE, and SSZ160601BA.

Text Codes:

AR - As Required

NA - Not Available

NS - Not Shown

00000000 - See Note

QTY - Quantity Example (QTY 3) (If Quantity not shown, Quantity = 1)

M - Model Example (M1) (If M Code not shown, then part is used on all Models)

Expanded Model Nomenclature:

Example M1 - Model#1 M2 - Model#2 M3 - Model#3

Goodman Manufacturing Company, L.P. is not responsible for personal injury or property damage resulting from improper service. Review all service information before beginning repairs.

Warranty service must be performed by an authorized technician, using authorized factory parts. If service is required after the warranty expires, Goodman Manufacturing Company, L.P. also recommends contacting an authorized technician and using authorized factory parts.

Goodman Manufacturing Company, L.P. reserves the right to discontinue, or change at any time, specifications or designs without notice or without incurring obligations.

For assistance within the U.S.A. contact:
Consumer Affairs Department
Goodman Manufacturing Company, L.P.
7401 Security Way
Houston, Texas 77040
877-254-4729-Telephone
713-863-2382-Facsimile

For assistance outside the U.S.A. contact:
International Division
Goodman Manufacturing Company, L.P.
7401 Security Way
Houston, Texas 77040
713-861-2500-Telephone
713-863-2382-Facsimile

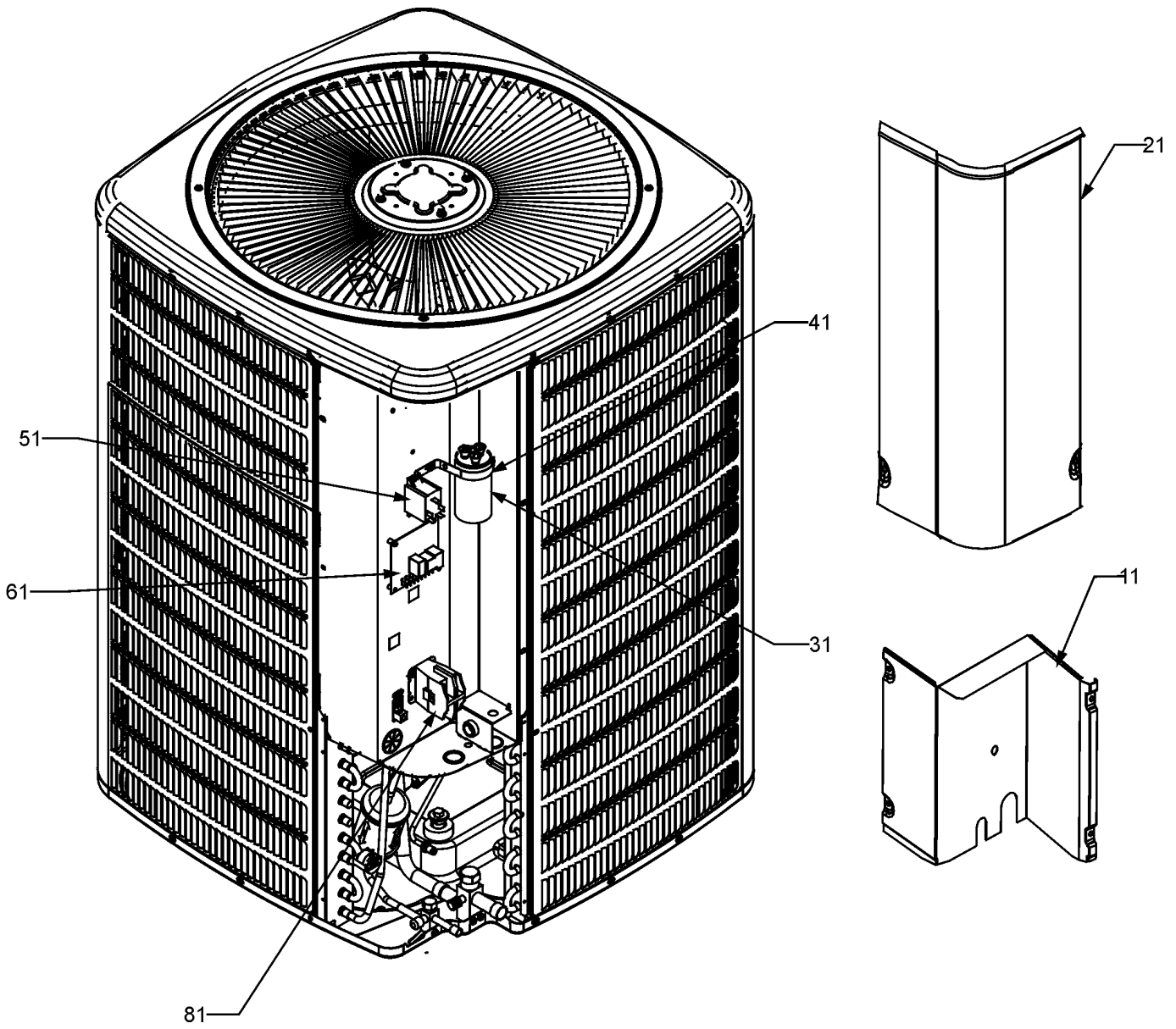
Functional Parts

Part

No: Description:

0151R00002P	3/4" SERVICE VALVE OPEN LEFT (M1, M2, M3, M4, M5, M6, M7)	0130M00088	LOW PRESSURE SWITCH (M7, M12, M17, M23)																							
B12825171	3/8" SERVICE VALVE	0130R00000S	LOW PRESSURE SWITCH (M1, M2, M3, M4, M5, M6, M8, M9, M10, M11, M13, M14, M15, M16, M18, M19, M20, M21, M22)																							
0151R00003P	7/8" SERVICE VALVE OPEN LEFT (M8, M9, M10, M11, M12, M13, M14, M15, M16, M17, M18, M19, M20, M21, M22, M23)	10135604	RELAY (M18, M19, M20, M21, M22, M23)																							
CAP050350440RSS	CAPACITOR 5/35/440V (M1, M2, M3, M4, M5, M6, M7)	0151M00021S	REVERSING VALVE (M8, M9, M10, M11, M12, M13, M14, M15, M16, M17, M18, M19, M20, M21, M22, M23)																							
CAP050450440RTS	CAPACITOR 5/45/440V (M8, M9, M10, M11, M12, M13, M14, M15, M16, M17)	0151M00018S	REVERSING VALVE (M5, M6, M7)																							
CAP050800440RTS	CAPACITOR 5/80/440V (M18, M19, M20, M21, M22, M23)	0151M00019S	REVERSING VALVE (M1, M2, M3, M4)																							
ZP20K5EPFV830	COMPRESSOR 20000, 208/230/60/1 (M1, M2, M3, M4, M5, M6, M7)	B1225022	SOLENOID COIL																							
ZP29K5EPFV830	COMPRESSOR 29000, 208/230/60/1 (M8, M9, M10, M11, M12)	11046711	THERMOSTAT DISC (M18, M19, M20, M21, M22, M23)																							
ZP39K5EPFV830	COMPRESSOR 39000, 208/230/60/1 (M13, M14, M15, M16, M17)	0151M00004	TXV VALVE (M1, M2, M3, M4, M5, M6, M7)																							
ZPS49K4EPFV230	COMPRESSOR 49200, 208/230/60/1/2STG (M23)	0151M00002	TXV VALVE (M8, M9, M10, M11, M12)																							
ZPS51K4EPFV930	COMPRESSOR 52000, 208/230/60/1/2STG (M18, M19, M20, M21, M22)	0151R00009	TXV VALVE (M13, M14, M15, M16, M18, M19)																							
0131M00012PS	COND MOTOR 1/6 HP, 1 SP, 8 PL (M8, M9, M10, M11, M12, M13, M14, M15, M16, M17)	0151M00010S	TXV VALVE (M17, M20, M21, M22, M23)																							
0131M00060S	COND MOTOR 1/6 HP, 1 SP, 8 PL (M1, M2, M3, M4, M5, M6, M7)	SPECIAL PARTS																								
0131M00038S	COND MOTOR 1/6 HP, 2 SP, 8 PL (M18, M19, M20, M21, M22, M23)	IO-259J	INSTRUCTION, INST (M2, M3, M4, M5, M6, M7, M9, M10, M11, M12, M14, M15, M16, M17, M19, M20, M21, M22, M23)																							
CONT2P025024VS	CONTACTOR 25 AMP, 2P, 24V (M1, M2, M3, M4, M5, M6, M7, M8, M9, M10, M11, M12)	0161R00009P	NAMEPLATE																							
CONT2P030024VS	CONTACTOR 30 AMP, 2P, 24V (M13, M14, M15, M16, M17)	Expanded Model Nomenclature																								
CONT2P040024VS	CONTACTOR 40 AMP, 2P, 24V (M18, M19, M20, M21, M22, M23)	<table border="1"> <tbody> <tr><td>M1 - SSZ160241AA</td></tr> <tr><td>M2 - SSZ160241AB</td></tr> <tr><td>M3 - SSZ160241AC</td></tr> <tr><td>M4 - SSZ160241AD</td></tr> <tr><td>M5 - SSZ160241AE</td></tr> <tr><td>M6 - SSZ160241AF</td></tr> <tr><td>M7 - SSZ160241AG</td></tr> <tr><td>M8 - SSZ160361AA</td></tr> <tr><td>M9 - SSZ160361AB</td></tr> <tr><td>M10 - SSZ160361AC</td></tr> <tr><td>M11 - SSZ160361AD</td></tr> <tr><td>M12 - SSZ160361AE</td></tr> <tr><td>M13 - SSZ160481AA</td></tr> <tr><td>M14 - SSZ160481AB</td></tr> <tr><td>M15 - SSZ160481AC</td></tr> <tr><td>M16 - SSZ160481AD</td></tr> <tr><td>M17 - SSZ160481AE</td></tr> <tr><td>M18 - SSZ160601AA</td></tr> <tr><td>M19 - SSZ160601AB</td></tr> <tr><td>M20 - SSZ160601AC</td></tr> <tr><td>M21 - SSZ160601AD</td></tr> <tr><td>M22 - SSZ160601AE</td></tr> <tr><td>M23 - SSZ160601BA</td></tr> </tbody> </table>		M1 - SSZ160241AA	M2 - SSZ160241AB	M3 - SSZ160241AC	M4 - SSZ160241AD	M5 - SSZ160241AE	M6 - SSZ160241AF	M7 - SSZ160241AG	M8 - SSZ160361AA	M9 - SSZ160361AB	M10 - SSZ160361AC	M11 - SSZ160361AD	M12 - SSZ160361AE	M13 - SSZ160481AA	M14 - SSZ160481AB	M15 - SSZ160481AC	M16 - SSZ160481AD	M17 - SSZ160481AE	M18 - SSZ160601AA	M19 - SSZ160601AB	M20 - SSZ160601AC	M21 - SSZ160601AD	M22 - SSZ160601AE	M23 - SSZ160601BA
M1 - SSZ160241AA																										
M2 - SSZ160241AB																										
M3 - SSZ160241AC																										
M4 - SSZ160241AD																										
M5 - SSZ160241AE																										
M6 - SSZ160241AF																										
M7 - SSZ160241AG																										
M8 - SSZ160361AA																										
M9 - SSZ160361AB																										
M10 - SSZ160361AC																										
M11 - SSZ160361AD																										
M12 - SSZ160361AE																										
M13 - SSZ160481AA																										
M14 - SSZ160481AB																										
M15 - SSZ160481AC																										
M16 - SSZ160481AD																										
M17 - SSZ160481AE																										
M18 - SSZ160601AA																										
M19 - SSZ160601AB																										
M20 - SSZ160601AC																										
M21 - SSZ160601AD																										
M22 - SSZ160601AE																										
M23 - SSZ160601BA																										
0130R00045	CRANK CASE HEATER THERMOSTAT (M7, M12, M17, M23)																									
PCBDM130	DEFROST CONTROL BOARD (M1, M2, M3, M4, M5, M6, M8, M9, M10, M11, M13, M14, M15, M16, M18, M19, M20, M21, M22)																									
PCBDM133	DEFROST CONTROL BOARD (M7, M12, M17, M23)																									
B1370803	DEFROST THERMOSTAT																									
0150M00008S	FAN BLADE 22" TNT2203-25 (M1, M2, M3, M4, M5, M6, M7)																									
10625738S	FAN BLADE 26" ALUM CCW (M8, M9, M10, M11, M12, M13, M14, M15, M16, M17, M18, M19, M20, M21, M22, M23)																									
0163R00006	HEATER, CRANKCASE 230V, 40W (M7, M12)																									
0163R00007	HEATER, CRANKCASE 230V, 40W (M17, M23)																									
0130M00089	HIGH PRESSURE SWITCH (M7, M12, M17, M23)																									
20322603	HIGH PRESSURE SWITCH (M1, M2, M3, M4, M5, M6, M8, M9, M10, M11, M13, M14, M15, M16, M18, M19, M20, M21, M22)																									

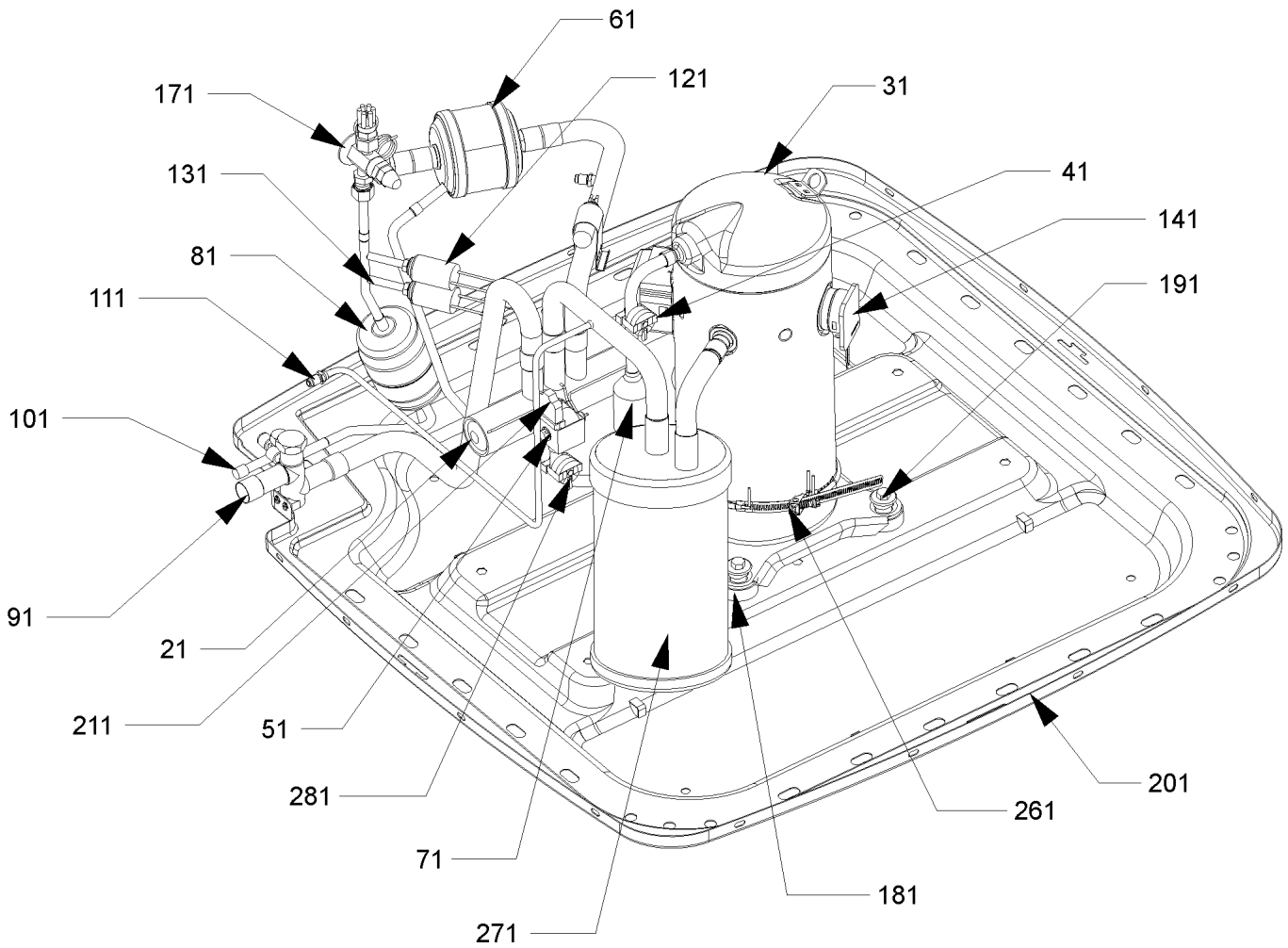
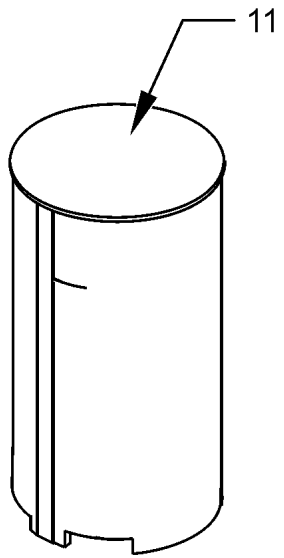
Control Cover / Control Box



Control Cover / Control Box

Ref. Part No:	No:	Description:	Ref. Part No:	No:	Description:
<i>Image 1:</i>			Expanded Model Nomenclature		
11	4400205PDG	LOWER ACCESS PANEL (M1, M2, M3, M4, M5, M6, M7, M8, M9, M10, M11, M12, M13, M14, M15, M16, M17)	M1 -	SSZ160241AA	
11	4400209PDG	LOWER ACCESS PANEL (M18, M19, M20, M21, M22, M23)	M2 -	SSZ160241AB	
21	0121R00053PDG	CONTROL COVER (M1, M2, M3, M4, M5, M6, M7, M8, M9, M10, M11, M12, M13, M14, M15, M16, M17)	M3 -	SSZ160241AC	
21	0121R00054PDG	CONTROL COVER (M18, M19, M20, M21, M22, M23)	M4 -	SSZ160241AD	
31	CAP050350440RSS	CAPACITOR 5/35/440V (M1, M2, M3, M4, M5, M6, M7)	M5 -	SSZ160241AE	
31	CAP050450440RTS	CAPACITOR 5/45/440V (M8, M9, M10, M11, M12, M13, M14, M15, M16, M17)	M6 -	SSZ160241AF	
31	CAP050800440RTS	CAPACITOR 5/80/440V (M18, M19, M20, M21, M22, M23)	M7 -	SSZ160241AG	
41	4400065	CAPACITOR STRAP	M8 -	SSZ160361AA	
51	10135604	RELAY (M18, M19, M20, M21, M22, M23)	M9 -	SSZ160361AB	
61	PCBDM130	DEFROST CONTROL BOARD (M1, M2, M3, M4, M5, M6, M8, M9, M10, M11, M13, M14, M15, M16, M18, M19, M20, M21, M22)	M10 -	SSZ160361AC	
61	PCBDM133	DEFROST CONTROL BOARD (M7, M12, M17, M23)	M11 -	SSZ160361AD	
81	CONT2P025024VS	CONTACTOR 25 AMP, 2P, 24V (M1, M2, M3, M4, M5, M6, M7, M8, M9, M10, M11, M12)	M12 -	SSZ160361AE	
81	CONT2P030024VS	CONTACTOR 30 AMP, 2P, 24V (M13, M14, M15, M16, M17)	M13 -	SSZ160481AA	
81	CONT2P040024VS	CONTACTOR 40 AMP, 2P, 24V (M18, M19, M20, M21, M22, M23)	M14 -	SSZ160481AB	
NS	0161R00009P	NAMEPLATE	M15 -	SSZ160481AC	
			M16 -	SSZ160481AD	
			M17 -	SSZ160481AE	
			M18 -	SSZ160601AA	
			M19 -	SSZ160601AB	
			M20 -	SSZ160601AC	
			M21 -	SSZ160601AD	
			M22 -	SSZ160601AE	
			M23 -	SSZ160601BA	

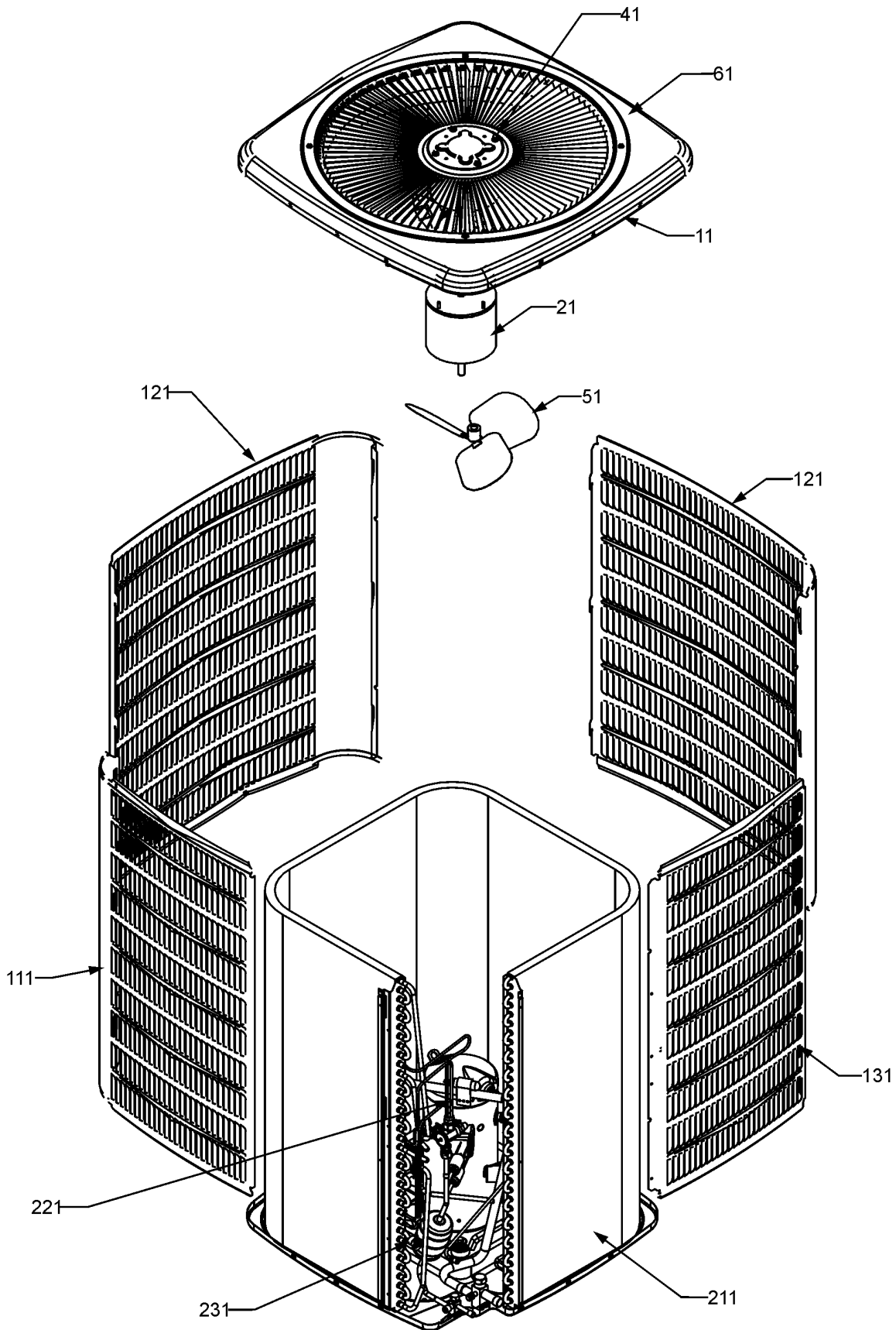
Basepan / Compressor / Tubing Assebly



Basepan / Compressor / Tubing Asseblly

Ref. Part No: No:	Description:	Ref. Part No: No:	Description:
<i>Image 1:</i>		<i>Image 1:</i>	
11 B1488806	COMPRESSOR SOUND BLANKET (M13, M14, M15, M16, M17, M18, M19, M20, M21, M22, M23)	191 M0221641	TF SHOULDER SCREW (QTY 4)
11 B1488807	COMPRESSOR SOUND BLANKET (M8, M9, M10, M11, M12)	201 0121R00006PDG	BASE PAN 29" (M1, M2, M3, M4, M5, M6, M7)
11 B1488810	COMPRESSOR SOUND BLANKET (M1, M2, M3, M4, M5, M6, M7)	201 0121R00007PDG	BASE PAN 35" (M8, M9, M10, M11, M12, M13, M14, M15, M16, M17, M18, M19, M20, M21, M22, M23)
21 0151M00018S	REVERSING VALVE (M5, M6, M7)	211 B1225020	SOLENOID COIL CORD W/1/4"TERMINAL (M1, M2, M3, M4, M5, M8, M9, M10, M13, M14, M15, M18, M19, M20, M21)
21 0151M00019S	REVERSING VALVE (M1, M2, M3, M4)	211 0130M00083	SOLENOID HARNESS W/1/4" TERM (M6, M7, M11, M12, M16, M17, M22, M23)
21 0151M00021S	REVERSING VALVE (M8, M9, M10, M11, M12, M13, M14, M15, M16, M17, M18, M19, M20, M21, M22, M23)	261 0163R00006	HEATER, CRANKCASE 230V, 40W (M7, M12)
31 ZP20K5EPFV830	COMPRESSOR 20000, 208/230/60/1 (M1, M2, M3, M4, M5, M6, M7)	261 0163R00007	HEATER, CRANKCASE 230V, 40W (M17, M23)
31 ZP29K5EPFV830	COMPRESSOR 29000, 208/230/60/1 (M8, M9, M10, M11, M12)	271 0151L00008	ACCUMULATOR (M7)
31 ZP39K5EPFV830	COMPRESSOR 39000, 208/230/60/1 (M13, M14, M15, M16, M17)	271 0151L00009	ACCUMULATOR (M12)
31 ZPS49K4EPFV230	COMPRESSOR 49200,208/230/60/1/2STG (M23)	271 0151L00010	ACCUMULATOR (M17, M23)
31 ZPS51K4EPFV930	COMPRESSOR 52000, 208/230/60/1/2STG (M18, M19, M20, M21, M22)	281 0130R00045	CRANK CASE HEATER THERMOSTAT (M7, M12, M17, M23)
41 11046711	THERMOSTAT DISC (M18, M19, M20, M21, M22, M23)	NS 0159R00001P	COMPRESSOR SCROLL HARNESS (M1, M2, M3, M4, M5, M6, M7)
51 B1225022	SOLENOID COIL	NS 0159R00002P	COMPRESSOR SCROLL HARNESS (M8, M9, M10, M11, M12, M13, M14, M15, M16, M17)
61 20270812	COMPENSATOR (M20, M21, M22, M23)	Expanded Model Nomenclature	
61 0151R00005	COMPENSATOR 16 OZ (M8, M9, M10, M11, M12, M13, M14, M15, M16, M17, M18, M19)	M1 - SSZ160241AA	
61 0151R00006	COMPENSATOR 3.5 (M1, M2, M3, M4, M5, M6, M7)	M2 - SSZ160241AB	
71 0162R00007S	MUFFLER 1/2 X 1/2 (M4, M5, M6, M7, M10, M11, M12, M15, M16, M17, M21, M22, M23)	M3 - SSZ160241AC	
71 B1219301	MUFFLER 1/2 X 1/2 (M20)	M4 - SSZ160241AD	
81 20485201	BI-FLOW FILTER DRIER	M5 - SSZ160241AE	
91 0151R00002P	3/4" SERVICE VALVE OPEN LEFT (M1, M2, M3, M4, M5, M6, M7)	M6 - SSZ160241AF	
91 0151R00003P	7/8" SERVICE VALVE OPEN LEFT (M8, M9, M10, M11, M12, M13, M14, M15, M16, M17, M18, M19, M20, M21, M22, M23)	M7 - SSZ160241AG	
101 B12825171	3/8" SERVICE VALVE	M8 - SSZ160361AA	
111 B1787000	VALVE CORE	M9 - SSZ160361AB	
121 0130M00088	LOW PRESSURE SWITCH (M7, M12, M17, M23)	M10 - SSZ160361AC	
121 0130R00000S	LOW PRESSURE SWITCH (M1, M2, M3, M4, M5, M6, M8, M9, M10, M11, M13, M14, M15, M16, M18, M19, M20, M21, M22)	M11 - SSZ160361AD	
131 0130M00089	HIGH PRESSURE SWITCH (M7, M12, M17, M23)	M12 - SSZ160361AE	
131 20322603	HIGH PRESSURE SWITCH (M1, M2, M3, M4, M5, M6, M8, M9, M10, M11, M13, M14, M15, M16, M18, M19, M20, M21, M22)	M13 - SSZ160481AA	
141 20468101	COMPRESSOR SOLENOID CABLE (M18, M19, M20, M21, M22, M23)	M14 - SSZ160481AB	
171 0151M00002	TXV VALVE (M8, M9, M10, M11, M12)	M15 - SSZ160481AC	
171 0151M00004	TXV VALVE (M1, M2, M3, M4, M5, M6, M7)	M16 - SSZ160481AD	
171 0151M00010S	TXV VALVE (M17, M20, M21, M22, M23)	M17 - SSZ160481AE	
171 0151R00009	TXV VALVE (M13, M14, M15, M16, M18, M19)	M18 - SSZ160601AA	
181 B1339533	COMPRESSOR GROMMET (QTY 4)	M19 - SSZ160601AB	
		M20 - SSZ160601AC	
		M21 - SSZ160601AD	
		M22 - SSZ160601AE	
		M23 - SSZ160601BA	

Cabinet Top / Side Panels



Cabinet Top / Side Panels

Ref. Part No:	No:	Description:	Ref. Part No:	No:	Description:
<i>Image 1:</i>			<i>Image 1:</i>		
11	0121R00010PDG	TOP PANEL 29" (M1, M2, M3, M4, M5, M6, M7)	NS	B1373310	ACCESS FITTING (M1, M2, M3, M4, M5, M6, M8, M9, M10, M11, M13, M14, M15, M16, M18, M19, M20, M21, M22)
11	0121R00012PDG	TOP PANEL 35" (M8, M9, M10, M11, M12, M13, M14, M15, M16, M17, M18, M19, M20, M21, M22, M23)	NS	B9102097	CAP W/O-RING
21	0131M00012PS	COND MOTOR 1/6 HP, 1 SP, 8 PL (M8, M9, M10, M11, M12, M13, M14, M15, M16, M17)	NS	0161R00002P	CONDUIT (M1, M2, M3, M4, M5, M6, M7)
21	0131M00060S	COND MOTOR 1/6 HP, 1 SP, 8 PL (M1, M2, M3, M4, M5, M6, M7)	NS	0161R00004P	CONDUIT (M8, M9, M10, M11, M12, M13, M14, M15, M16, M17, M18, M19, M20, M21, M22, M23)
21	0131M00038S	COND MOTOR 1/6 HP, 2 SP, 8 PL (M18, M19, M20, M21, M22, M23)	NS	B1796633	TEFLON O-RING (QTY 2)
41	0163M00006P	ACORN NUT 5/16 HEX BLACK (M2, M3, M4, M5, M6, M7, M8, M9, M10, M11, M12, M13, M14, M15, M16, M17, M19, M20, M21, M22, M23)	Expanded Model Nomenclature		
41	B1783803	ACORN NUT 5/16 HEX YELLOW ZINC (M1, M18)			
51	0150M00008S	FAN BLADE 22" TNT2203-25 (M1, M2, M3, M4, M5, M6, M7)	M1	-	SSZ160241AA
51	10625738S	FAN BLADE 26" ALUM CCW (M8, M9, M10, M11, M12, M13, M14, M15, M16, M17, M18, M19, M20, M21, M22, M23)	M2	-	SSZ160241AB
61	0161L00000	VENTURI RING 22" (M1, M2, M3, M4, M5, M6, M7)	M3	-	SSZ160241AC
61	0161R00007P	VENTURI RING 35" (M8, M9, M10, M11, M12, M13, M14, M15, M16, M17, M18, M19, M20, M21, M22, M23)	M4	-	SSZ160241AD
111	0121R00027PDGB	LOUVERED SIDE PANEL [LT OF CNTL PNL] (M1, M2, M3, M4, M5, M6, M7)	M5	-	SSZ160241AE
111	0121R00043PDGB	LOUVERED SIDE PANEL [LT OF CNTL PNL] (M8, M9, M10, M11, M12, M13, M14, M15, M16, M17, M18, M19, M20, M21, M22, M23)	M6	-	SSZ160241AF
121	0121R00033PDGB	LOUVERED SIDE PANEL (M1, M2, M3, M4, M5, M6, M7)	M7	-	SSZ160241AG
121	0121R00047PDGB	LOUVERED SIDE PANEL (M8, M9, M10, M11, M12, M13, M14, M15, M16, M17, M18, M19, M20, M21, M22, M23)	M8	-	SSZ160361AA
131	0121R00039PDG	LOUVERED SIDE PANEL [RT OF CNTL PNL] (M1, M2, M3, M4, M5, M6, M7)	M9	-	SSZ160361AB
131	0121R00051PDG	LOUVERED SIDE PANEL [RT OF CNTL PNL] (M8, M9, M10, M11, M12, M13, M14, M15, M16, M17, M18, M19, M20, M21, M22, M23)	M10	-	SSZ160361AC
211	0201R00074S	TUBING ASSY, COND COIL (M1, M2, M3, M4, M5, M6)	M11	-	SSZ160361AD
211	0201R00075S	TUBING ASSY, COND COIL (M8, M9, M10, M11)	M12	-	SSZ160361AE
211	0201R00076S	TUBING ASSY, COND COIL (M13, M14, M15, M16, M18, M19)	M13	-	SSZ160481AA
211	0201R00147S	TUBING ASSY, COND COIL (M20, M21, M22)	M14	-	SSZ160481AB
211	0201R00342	TUBING ASSY, COND COIL (M23)	M15	-	SSZ160481AC
211	0201R00343	TUBING ASSY, COND COIL (M7)	M16	-	SSZ160481AD
211	0201R00344	TUBING ASSY, COND COIL (M12)	M17	-	SSZ160481AE
211	0201R00345	TUBING ASSY, COND COIL (M17)	M18	-	SSZ160601AA
221	0162M00027S	FLOWRATOR .188 (M8, M9, M10, M11, M12, M13, M14, M15, M16, M17, M18, M19, M20, M21, M22, M23)	M19	-	SSZ160601AB
221	0162M00045	FLOWRATOR .188 (M1, M2, M3, M4, M5, M6, M7)	M20	-	SSZ160601AC
231	B1370803	DEFROST THERMOSTAT	M21	-	SSZ160601AD
NS	0163M00087	ACCESS FITTING (M7, M12, M17, M23)	M22	-	SSZ160601AE
			M23	-	SSZ160601BA

THIS PAGE INTENTIONALLY LEFT BLANK