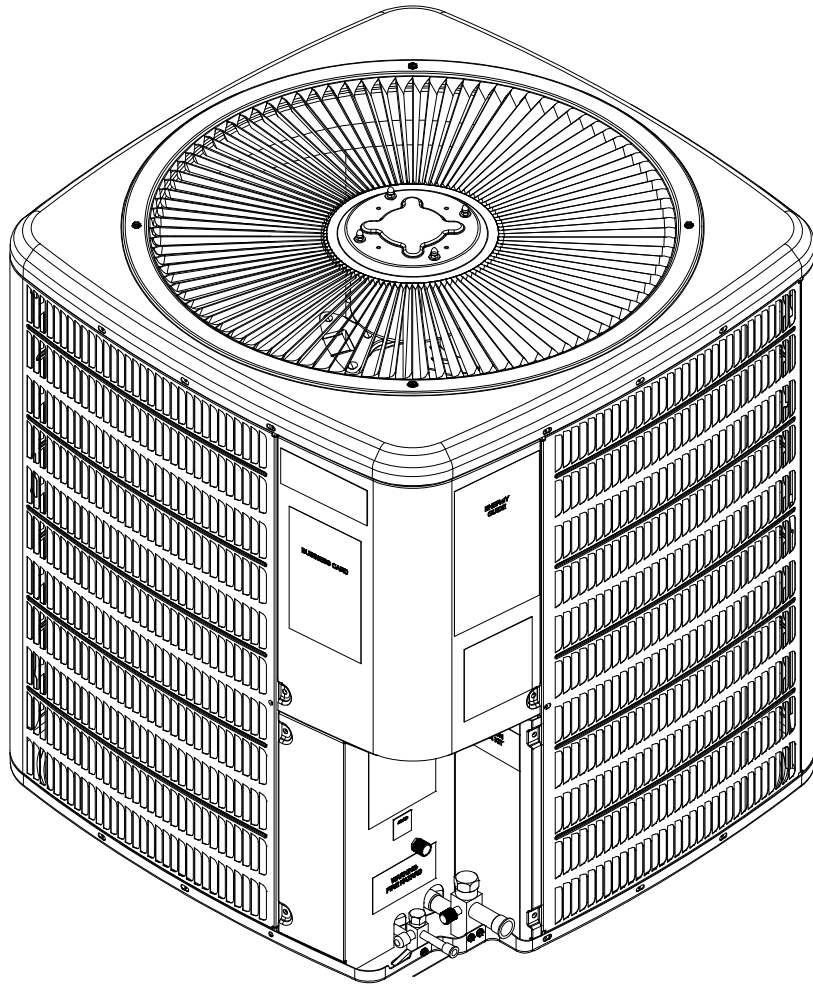


REPAIR PARTS

SSZ14 R-410A Remote Heat Pumps

SSZ140181AC
SSZ140181AD
SSZ140181AE
SSZ140181AF
SSZ140241AF
SSZ140241AG
SSZ140241AH
SSZ140241AJ
SSZ140301AD
SSZ140301AE
SSZ140301AF
SSZ140361AG
SSZ140361AH
SSZ140361BA
SSZ140421AE
SSZ140421AF
SSZ140481AE
SSZ140481AF
SSZ140601AE
SSZ140601AF



This manual is to be used by qualified technicians only.

This manual replaces RP-538B

© 2008, 2010 Goodman Manufacturing Company, L.P. ♦ 5151 San Felipe, Suite 500 ♦ Houston, TX 77056

Important Information

Index

Functional Parts List	3
Illustration and Parts	4 - 9

Views shown are for parts illustrations only, not servicing procedures.

Revision C: Added model SSZ140361BA.

Text Codes:

AR - As Required

NA - Not Available

NS - Not Shown

00000000 - See Note

QTY - Quantity Example (QTY 3) (If Quantity not shown, Quantity = 1)

M - Model Example (M1) (If M Code not shown, then part is used on all Models)

Expanded Model Nomenclature:

Example
M1 - Model#1
M2 - Model#2
M3 - Model#3

Goodman Manufacturing Company, L.P. is not responsible for personal injury or property damage resulting from improper service. Review all service information before beginning repairs.

Warranty service must be performed by an authorized technician, using authorized factory parts. If service is required after the warranty expires, Goodman Manufacturing Company, L.P. also recommends contacting an authorized technician and using authorized factory parts.

Goodman Manufacturing Company, L.P. reserves the right to discontinue, or change at any time, specifications or designs without notice or without incurring obligations.

For assistance within the U.S.A. contact:
Consumer Affairs Department
Goodman Manufacturing Company, L.P.
7401 Security Way
Houston, Texas 77040
877-254-4729-Telephone
713-863-2382-Facsimile

For assistance outside the U.S.A. contact:
International Division
Goodman Manufacturing Company, L.P.
7401 Security Way
Houston, Texas 77040
713-861-2500-Telephone
713-863-2382-Facsimile

Functional Parts

Part

No: Description:

0151R00002P	3/4" SERVICE VALVE OPEN LEFT (M1, M2, M3, M4, M5, M6, M7, M8, M9, M10, M11, M14)	0163R00007	HEATER, CRANKCASE 230V, 40W (M16, M18, M20)
B12825171	3/8" SERVICE VALVE	0163R00006	HEATER, CRANKCASE 230V, 40W (M4, M8, M11, M13, M14)
0151R00003P	7/8" SERVICE VALVE OPEN LEFT (M12, M13, M15, M16, M17, M18, M19, M20)	0130M00089	HIGH PRESSURE SWITCH (M1, M2, M3, M4, M8, M11, M13, M14, M16, M18, M20)
CAP050300440RSS	CAPACITOR 5/30/370V (M1, M2, M3, M4)	20322603	HIGH PRESSURE SWITCH (M5, M6, M7, M9, M10, M12, M15, M17, M19)
CAP050400440RTS	CAPACITOR 5/40/440V (M5, M6, M7, M8, M9, M10, M11)	0130M00088	LOW PRESSURE SWITCH (M1, M2, M3, M4, M8, M11, M13, M14, M16, M18, M20)
CAP050450440RTS	CAPACITOR 5/45/440V (M12, M13, M14, M15, M16, M17, M18)	0130R00000S	LOW PRESSURE SWITCH (M5, M6, M7, M9, M10, M12, M15, M17, M19)
CAP050700440RTS	CAPACITOR 5/70/440V (M19, M20)	0151M00021S	REVERSING VALVE (M12, M13, M15, M16, M17, M18, M19, M20)
ZP16K5EPFV830	COMPRESSOR 15500, 208/230/60/1 (M1, M2, M3, M4)	0151M00019S	REVERSING VALVE (M1, M5, M9, M10, M11, M14)
ZP21K5EPFV830	COMPRESSOR 21300, 208/230/60/1 (M5, M6, M7, M8)	0151M00018S	REVERSING VALVE (M2, M3, M4, M6, M7, M8)
ZP25K5EPFV830	COMPRESSOR 25200, 208/230/60/1 (M9, M10, M11)	B1225022	SOLENOID COIL
ZP29K5EPFV830	COMPRESSOR 29000, 208/230/60/1 (M14)		
ZP31K5EPFV830	COMPRESSOR 31100, 208/230/60/1 (M12, M13)		
ZP34K5EPFV830	COMPRESSOR 34500, 208/230/60/1 (M15, M16)		
ZP39K5EPFV830	COMPRESSOR 39000, 208/230/60/1 (M17, M18)		
ZP51K5EPFV830	COMPRESSOR 51000, 208/230/60/1 (M19, M20)		
0131M00019PS	COND MOTOR 1/12 HP, 1 SP, 8 PL (M1, M2, M3, M4)		
0131M00061S	COND MOTOR 1/4 HP, 1 SP, 8 PL (M12, M13, M14, M15, M16, M17, M18, M19, M20)		
0131M00060S	COND MOTOR 1/6 HP, 1 SP, 8 PL (M5, M6, M7, M8)		
0131M00012PS	COND MOTOR 1/6 HP, 1 SP, 8 PL (M9, M10, M11)		
CONT2P025024VS	CONTACTOR 25 AMP, 2P, 24V (M1, M2, M3, M4, M5, M6, M7, M8, M9, M10, M11, M12, M13, M14, M15, M16)		
CONT2P030024VS	CONTACTOR 30 AMP, 2P, 24V (M17, M18, M19, M20)		
0130R00045	CRANKCASE HEATER SWITCH (M4, M8, M11, M13, M14, M16, M18, M20)		
PCBDM130	DEFROST CONTROL BOARD (M1, M2, M3, M5, M6, M7, M9, M10, M12, M15, M17, M19)		
PCBDM133	DEFROST CONTROL BOARD (M4, M8, M11, M13, M14, M16, M18, M20)		
B1370803	DEFROST THERMOSTAT		
10625737S	FAN BLADE 22" ALUM CCW (M1, M2, M3, M4)		
0150M00008S	FAN BLADE 22" TNT2203-25 (M5, M6, M7, M8)		
0150M00008S	FAN BLADE 22" TNT2203-25 (M9, M10, M11)		
10625738S	FAN BLADE 26" ALUM CCW (M12, M13, M15, M16, M17, M18, M19, M20)		
B1086765S	FAN BLADE TYPE 3 (M14)		

SPECIAL PARTS

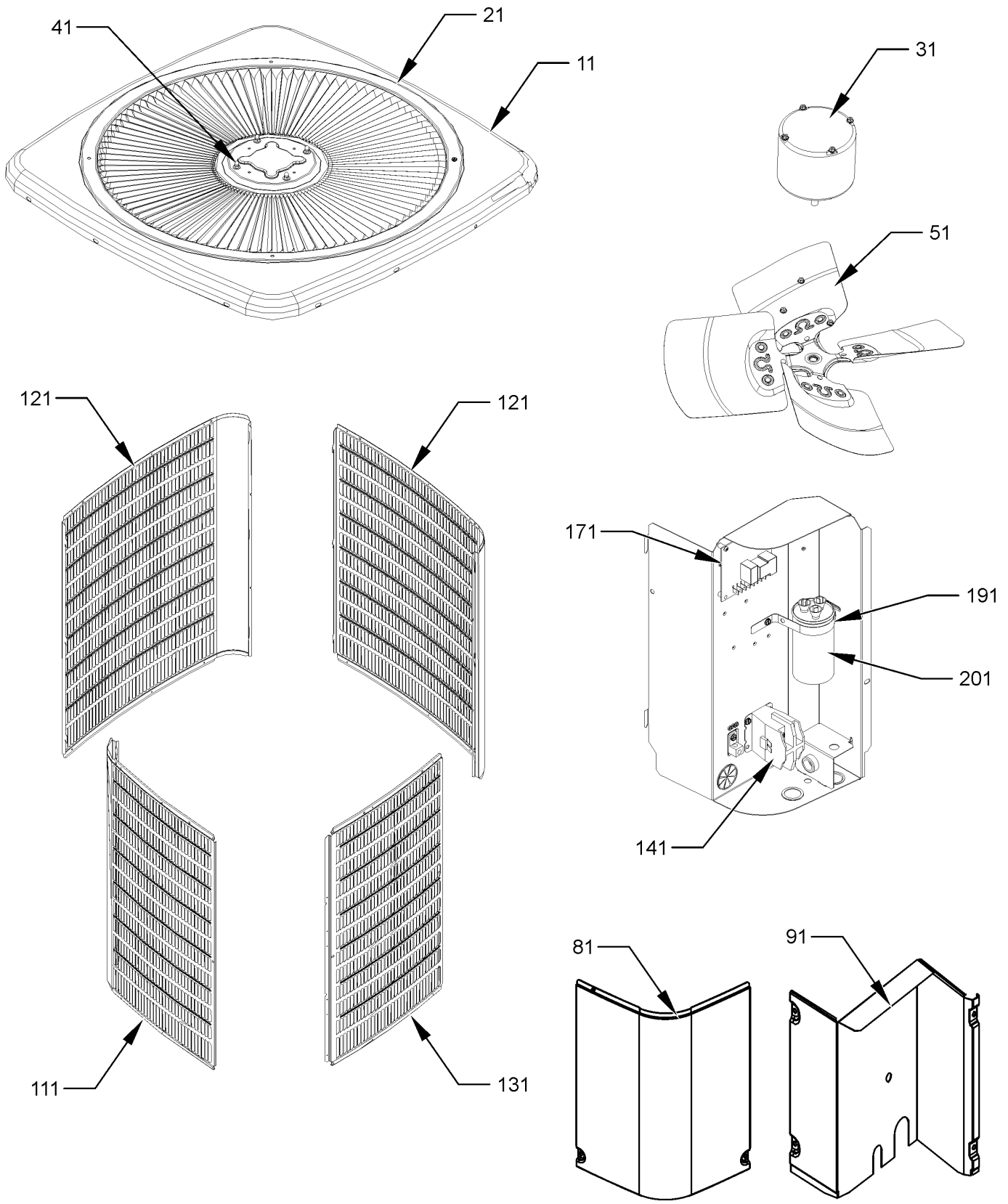
IO-259J INSTRUCTION, INST

0161R00009P NAMEPLATE

Expanded Model Nomenclature

M1 - SSZ140181AC
M2 - SSZ140181AD
M3 - SSZ140181AE
M4 - SSZ140181AF
M5 - SSZ140241AF
M6 - SSZ140241AG
M7 - SSZ140241AH
M8 - SSZ140241AJ
M9 - SSZ140301AD
M10 - SSZ140301AE
M11 - SSZ140301AF
M12 - SSZ140361AG
M13 - SSZ140361AH
M14 - SSZ140361BA
M15 - SSZ140421AE
M16 - SSZ140421AF
M17 - SSZ140481AE
M18 - SSZ140481AF
M19 - SSZ140601AE
M20 - SSZ140601AF

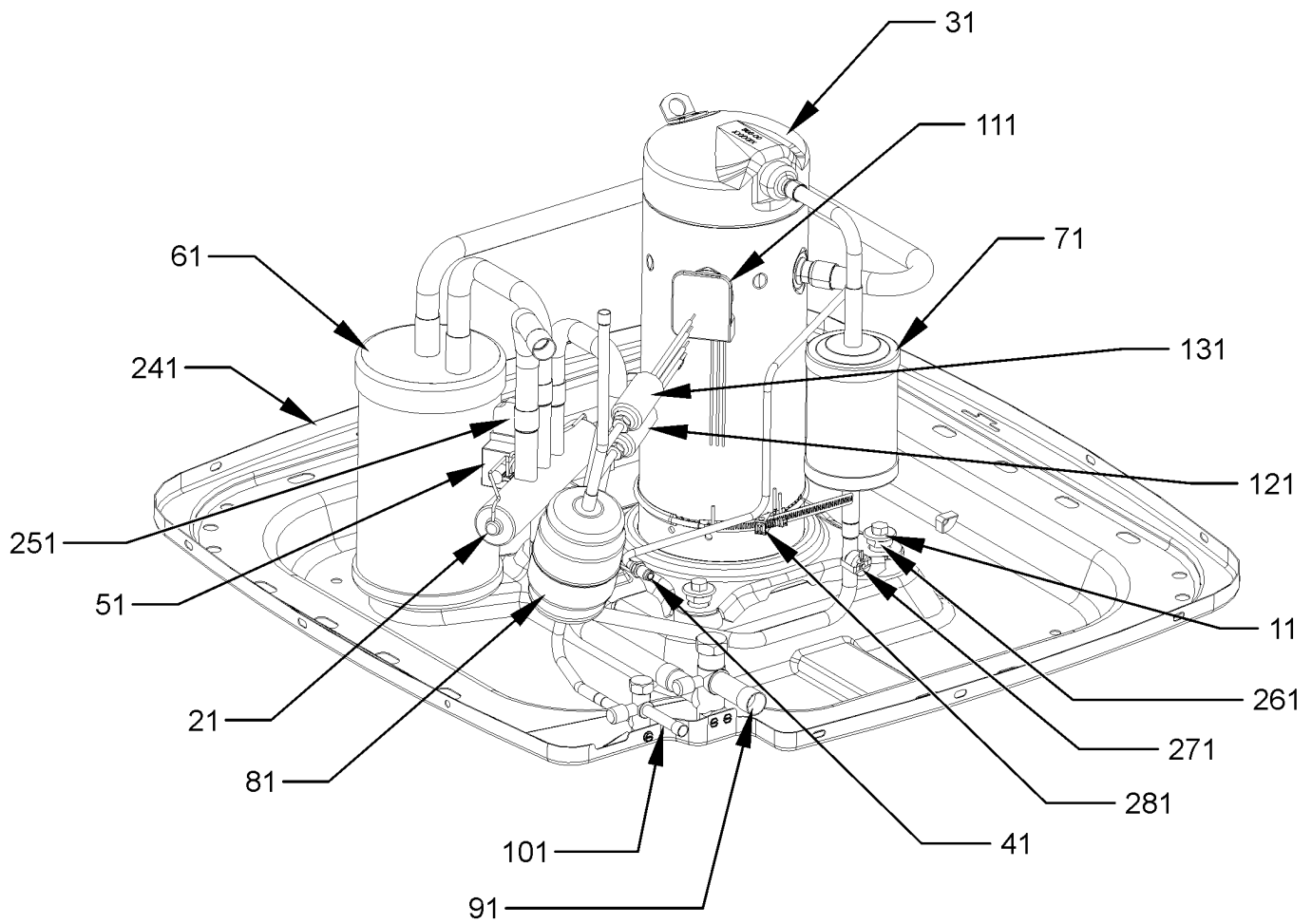
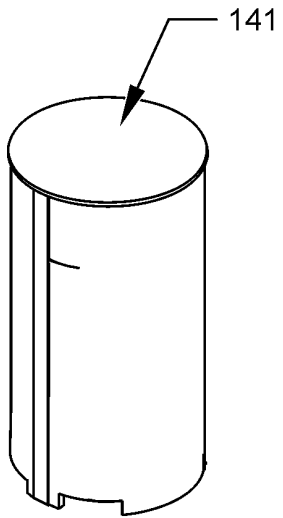
Control Panel and Top Assembly



Control Panel and Top Assembly

Ref. Part No:	Ref. Part No:	Description:	Description:
<i>Image 1:</i>		<i>Image 1:</i>	
11	0121R00010PDG	TOP PANEL 29" (M1, M2, M3, M4, M5, M6, M7, M8, M9, M10, M11, M14)	191 4400065 CAPACITOR STRAP
11	0121R00012PDG	TOP PANEL 35" (M12, M13, M15, M16, M17, M18, M19, M20)	201 CAP050300440RSS CAPACITOR 5/30/370V (M1, M2, M3, M4)
21	0161L00000	VENTURI RING 22" (M14)	201 CAP050400440RTS CAPACITOR 5/40/440V (M5, M6, M7, M8, M9, M10, M11)
31	0131M00019PS	COND MOTOR 1/12 HP, 1 SP, 8 PL (M1, M2, M3, M4)	201 CAP050450440RTS CAPACITOR 5/45/440V (M12, M13, M14, M15, M16, M17, M18)
31	0131M00061S	COND MOTOR 1/4 HP, 1 SP, 8 PL (M12, M13, M14, M15, M16, M17, M18, M19, M20)	201 CAP050700440RTS CAPACITOR 5/70/440V (M19, M20)
31	0131M00012PS	COND MOTOR 1/6 HP, 1 SP, 8 PL (M9, M10, M11)	NS 0161R00002P CONDUIT (M14)
31	0131M00060S	COND MOTOR 1/6 HP, 1 SP, 8 PL (M5, M6, M7, M8)	NS 0161R00003P CONDUIT (M1, M2, M3, M4, M5, M6, M7, M8, M9, M10, M11)
41	0163M00006P	ACORN NUT 5/16 HEX BLACK (QTY 4)	NS 0161R00005P CONDUIT (M12, M13, M15, M16, M17, M18, M19, M20)
51	10625737S	FAN BLADE 22" ALUM CCW (M1, M2, M3, M4)	NS 0161R00009P NAMEPLATE
51	0150M00008S	FAN BLADE 22" TNT2203-25 (M5, M6, M7, M8)	Expanded Model Nomenclature
51	0150M00008S	FAN BLADE 22" TNT2203-25 (M9, M10, M11)	M1 - SSZ140181AC
51	10625738S	FAN BLADE 26" ALUM CCW (M12, M13, M15, M16, M17, M18, M19, M20)	M2 - SSZ140181AD
51	B1086765S	FAN BLADE TYPE 3 (M14)	M3 - SSZ140181AE
81	0121R00053PDG	CONTROL COVER	M4 - SSZ140181AF
91	4400202PDG	LOWER ACCESS PANEL (M1, M2, M3, M4, M17, M18)	M5 - SSZ140241AF
91	4400205PDG	LOWER ACCESS PANEL (M5, M6, M7, M8, M9, M10, M11, M12, M13, M14, M15, M16, M19, M20)	M6 - SSZ140241AG
111	0121R00025PDGB	LOUVERED SIDE PANEL [LT OF CNTL PNL] (M1, M2, M3, M4)	M7 - SSZ140241AH
111	0121R00027PDGB	LOUVERED SIDE PANEL [LT OF CNTL PNL] (M5, M6, M7, M8, M9, M10, M11, M14)	M8 - SSZ140241AJ
111	0121R00042PDGB	LOUVERED SIDE PANEL [LT OF CNTL PNL] (M17, M18)	M9 - SSZ140301AD
111	0121R00043PDGB	LOUVERED SIDE PANEL [LT OF CNTL PNL] (M12, M13, M15, M16, M19, M20)	M10 - SSZ140301AE
121	0121R00031PDGB	LOUVERED SIDE PANEL (M1, M2, M3, M4)	M11 - SSZ140301AF
121	0121R00033PDGBS	LOUVERED SIDE PANEL (M5, M6, M7, M8, M9, M10, M11, M14)	M12 - SSZ140361AG
121	0121R00046PDGB	LOUVERED SIDE PANEL (M17, M18)	M13 - SSZ140361AH
121	0121R00047PDGB	LOUVERED SIDE PANEL (M12, M13, M15, M16, M19, M20)	M14 - SSZ140361BA
131	0121R00037PDG	LOUVERED SIDE PANEL [RT OF CNTL PNL] (M1, M2, M3, M4)	M15 - SSZ140421AE
131	0121R00050PDG	LOUVERED SIDE PANEL [RT OF CNTL PNL] (M17, M18)	M16 - SSZ140421AF
131	0121R00051PDG	LOUVERED SIDE PANEL [RT OF CNTL PNL] (M12, M13, M15, M16, M19, M20)	M17 - SSZ140481AE
131	0121R00039PDGS	PANEL 3, LOUVER 29_36.0 PNT (M5, M6, M7, M8, M9, M10, M11, M14)	M18 - SSZ140481AF
141	CONT2P025024VS	CONTACTOR 25 AMP, 2P, 24V (M1, M2, M3, M4, M5, M6, M7, M8, M9, M10, M11, M12, M13, M14, M15, M16)	M19 - SSZ140601AE
141	CONT2P030024VS	CONTACTOR 30 AMP, 2P, 24V (M17, M18, M19, M20)	M20 - SSZ140601AF
171	PCBDM130	DEFROST CONTROL BOARD (M1, M2, M3, M5, M6, M7, M9, M10, M12, M15, M17, M19)	
171	PCBDM133	DEFROST CONTROL BOARD (M4, M8, M11, M13, M14, M16, M18, M20)	

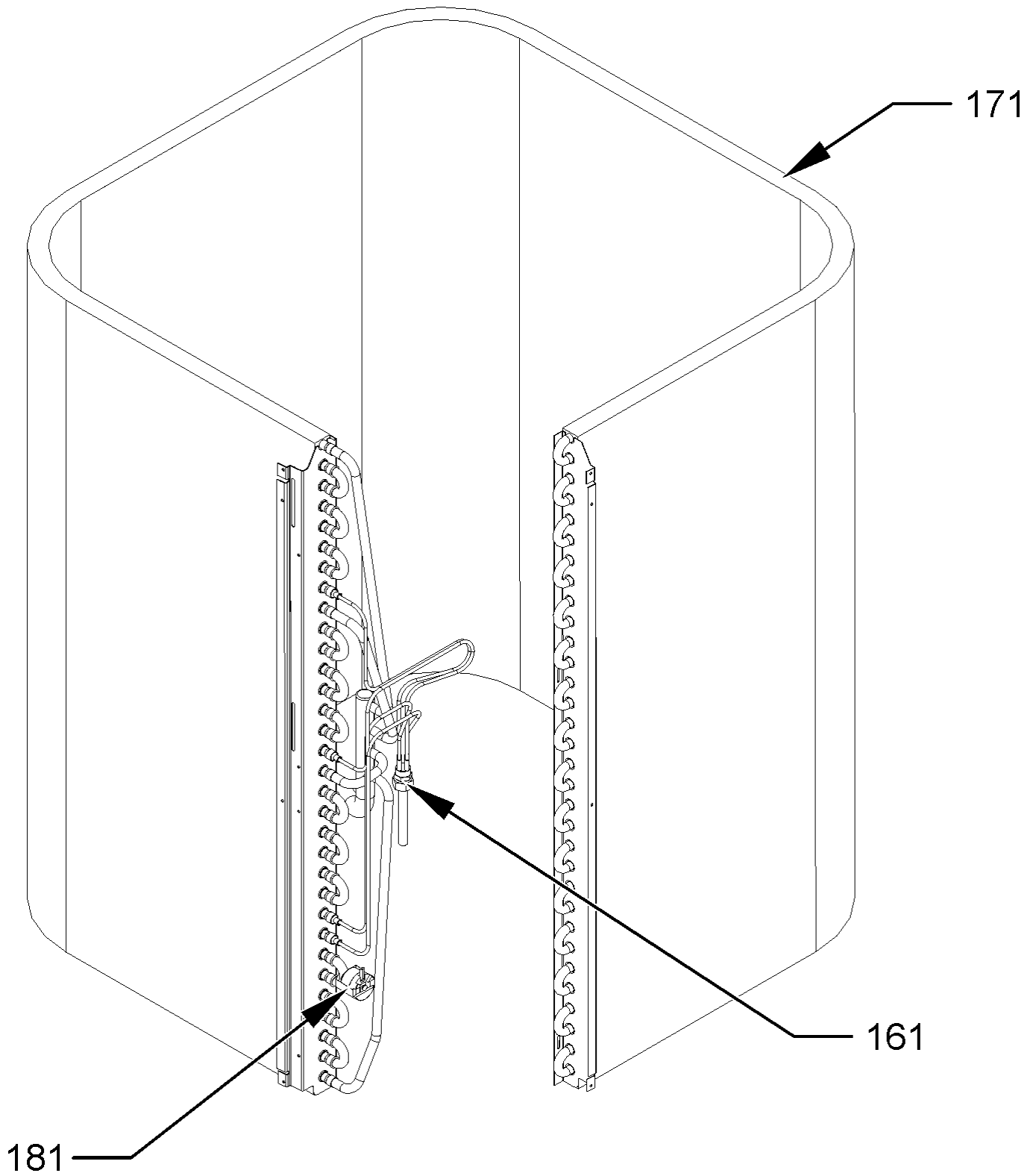
Tubing Assembly



Tubing Assembly

Ref. Part No:	No:	Description:	Ref. Part No:	No:	Description:																				
<i>Image 1:</i>			<i>Image 1:</i>																						
11	M0221641	TF SHOULDER SCREW (QTY 4)	251	0130M00083	SOLENOID HARNESS W/1/4" TERM (M3, M4, M7, M8, M10, M11, M12, M13, M14, M15, M16, M17, M18, M19, M20)																				
21	0151M00018S	REVERSING VALVE (M2, M3, M4, M6, M7, M8)	261	B1339533	COMPRESSOR GROMMET (QTY 4)																				
21	0151M00019S	REVERSING VALVE (M1, M5, M9, M10, M11, M14)	271	0130R00045	CRANKCASE HEATER SWITCH (M4, M8, M11, M13, M14, M16, M18, M20)																				
21	0151M00021S	REVERSING VALVE (M12, M13, M15, M16, M17, M18, M19, M20)	281	0163R00006	HEATER, CRANKCASE 230V, 40W (M4, M8, M11, M13, M14)																				
31	ZP16K5EPFV830	COMPRESSOR 15500, 208/230/60/1 (M1, M2, M3, M4)	281	0163R00007	HEATER, CRANKCASE 230V, 40W (M16, M18, M20)																				
31	ZP21K5EPFV830	COMPRESSOR 21300, 208/230/60/1 (M5, M6, M7, M8)	NS	0163M00087	ACCESS FITTING (M14)																				
31	ZP25K5EPFV830	COMPRESSOR 25200, 208/230/60/1 (M9, M10, M11)	NS	B1373310	ACCESS FITTING (M1, M2, M3, M4, M5, M6, M7, M8, M9, M10, M11, M12, M13, M15, M16, M17, M18, M19, M20)																				
31	ZP29K5EPFV830	COMPRESSOR 29000, 208/230/60/1 (M14)	NS	B9102097	CAP W/O-RING																				
31	ZP31K5EPFV830	COMPRESSOR 31100, 208/230/60/1 (M12, M13)	NS	B1789871	FLOW CHECK PISTON KIT .071 (M12, M13, M14)																				
31	ZP34K5EPFV830	COMPRESSOR 34500, 208/230/60/1 (M15, M16)	NS	B1789876	FLOW CHECK PISTON KIT .076 (M15, M16)																				
31	ZP39K5EPFV830	COMPRESSOR 39000, 208/230/60/1 (M17, M18)	NS	B1789880	FLOW CHECK PISTON KIT .080 (M17, M18)																				
31	ZP51K5EPFV830	COMPRESSOR 51000, 208/230/60/1 (M19, M20)	NS	B1789888	FLOW CHECK PISTON KIT .088 (M19, M20)																				
41	B1787000	VALVE CORE	Expanded Model Nomenclature																						
51	B1225022	SOLENOID COIL	<table border="1"> <tr><td>M1 - SSZ140181AC</td></tr> <tr><td>M2 - SSZ140181AD</td></tr> <tr><td>M3 - SSZ140181AE</td></tr> <tr><td>M4 - SSZ140181AF</td></tr> <tr><td>M5 - SSZ140241AF</td></tr> <tr><td>M6 - SSZ140241AG</td></tr> <tr><td>M7 - SSZ140241AH</td></tr> <tr><td>M8 - SSZ140241AJ</td></tr> <tr><td>M9 - SSZ140301AD</td></tr> <tr><td>M10 - SSZ140301AE</td></tr> <tr><td>M11 - SSZ140301AF</td></tr> <tr><td>M12 - SSZ140361AG</td></tr> <tr><td>M13 - SSZ140361AH</td></tr> <tr><td>M14 - SSZ140361BA</td></tr> <tr><td>M15 - SSZ140421AE</td></tr> <tr><td>M16 - SSZ140421AF</td></tr> <tr><td>M17 - SSZ140481AE</td></tr> <tr><td>M18 - SSZ140481AF</td></tr> <tr><td>M19 - SSZ140601AE</td></tr> <tr><td>M20 - SSZ140601AF</td></tr> </table>			M1 - SSZ140181AC	M2 - SSZ140181AD	M3 - SSZ140181AE	M4 - SSZ140181AF	M5 - SSZ140241AF	M6 - SSZ140241AG	M7 - SSZ140241AH	M8 - SSZ140241AJ	M9 - SSZ140301AD	M10 - SSZ140301AE	M11 - SSZ140301AF	M12 - SSZ140361AG	M13 - SSZ140361AH	M14 - SSZ140361BA	M15 - SSZ140421AE	M16 - SSZ140421AF	M17 - SSZ140481AE	M18 - SSZ140481AF	M19 - SSZ140601AE	M20 - SSZ140601AF
M1 - SSZ140181AC																									
M2 - SSZ140181AD																									
M3 - SSZ140181AE																									
M4 - SSZ140181AF																									
M5 - SSZ140241AF																									
M6 - SSZ140241AG																									
M7 - SSZ140241AH																									
M8 - SSZ140241AJ																									
M9 - SSZ140301AD																									
M10 - SSZ140301AE																									
M11 - SSZ140301AF																									
M12 - SSZ140361AG																									
M13 - SSZ140361AH																									
M14 - SSZ140361BA																									
M15 - SSZ140421AE																									
M16 - SSZ140421AF																									
M17 - SSZ140481AE																									
M18 - SSZ140481AF																									
M19 - SSZ140601AE																									
M20 - SSZ140601AF																									
61	0151L00008	ACCUMULATOR (M14)																							
61	0151R00004P	ACCUMULATOR .750 (M1, M2, M3, M4, M5, M6, M7, M8, M9, M10, M11)																							
61	B1226207	ACCUMULATOR .875 (M12, M13, M15, M16, M17, M18, M19, M20)																							
71	0162R00007S	MUFFLER 1/2 X 1/2																							
81	20485201	BI-FLOW FILTER DRIER																							
91	0151R00002P	3/4" SERVICE VALVE OPEN LEFT (M1, M2, M3, M4, M5, M6, M7, M8, M9, M10, M11, M14)																							
91	0151R00003P	7/8" SERVICE VALVE OPEN LEFT (M12, M13, M15, M16, M17, M18, M19, M20)																							
101	B12825171	3/8" SERVICE VALVE																							
111	0159R00001P	COMPRESSOR SCROLL HARNESS (M1, M2, M3, M4, M5, M6, M7, M8, M9, M10, M11)																							
111	0159R00002P	COMPRESSOR SCROLL HARNESS (M12, M13, M14, M15, M16, M17, M18, M19, M20)																							
121	0130M00088	LOW PRESSURE SWITCH (M1, M2, M3, M4, M8, M11, M13, M14, M16, M18, M20)																							
121	0130R00000S	LOW PRESSURE SWITCH (M5, M6, M7, M9, M10, M12, M15, M17, M19)																							
131	0130M00089	HIGH PRESSURE SWITCH (M1, M2, M3, M4, M8, M11, M13, M14, M16, M18, M20)																							
131	20322603	HIGH PRESSURE SWITCH (M5, M6, M7, M9, M10, M12, M15, M17, M19)																							
141	B1488807	COMPRESSOR SOUND BLANKET (M1, M2, M5, M6, M9, M15, M16, M17, M18, M19, M20)																							
141	B1488810	COMPRESSOR SOUND BLANKET (M3, M4, M7, M8, M10, M11, M12, M13, M14)																							
241	0121R00006PDG	BASE PAN 29" (M1, M2, M3, M4, M5, M6, M7, M8, M9, M10, M11, M14)																							
241	0121R00007PDG	BASE PAN 35" (M12, M13, M15, M16, M17, M18, M19, M20)																							
251	B1225020	SOLENOID COIL CORD W/1/4"TERMINAL (M1, M2, M5, M6, M9)																							

Condenser



Condenser

Ref. Part No:	Part No:	Description:	Ref. Part No:	Part No:	Description:
---------------	----------	--------------	---------------	----------	--------------

Image 1:

161	0162M00024	FLOWRATOR .041 (M1, M2, M3, M4)
161	0162M00033	FLOWRATOR .047 (M5, M6, M7, M8)
161	0162M00035	FLOWRATOR .053 (M9, M10, M11)
161	0162M00087	FLOWRATOR .053 (M12, M13)
161	0162M00070	FLOWRATOR .059 (M14, M15, M16)
161	0162M00088	FLOWRATOR .059 (M17, M18)
161	0162M00085	FLOWRATOR .065 (M19, M20)
171	0201R00060S	TUBING ASSY, COND COIL (M17, M18)
171	0201R00061S	TUBING ASSY, COND COIL (M5, M6, M7, M8)
171	0201R00062S	TUBING ASSY, COND COIL (M9, M10, M11)
171	0201R00071S	TUBING ASSY, COND COIL (M1, M2, M3, M4)
171	0201R00072S	TUBING ASSY, COND COIL (M12, M13, M15, M16)
171	0201R00073S	TUBING ASSY, COND COIL (M19, M20)
171	0201R00351	TUBING ASSY, COND COIL (M14)
181	B1370803	DEFROST THERMOSTAT

Expanded Model Nomenclature

M1 - SSZ140181AC
M2 - SSZ140181AD
M3 - SSZ140181AE
M4 - SSZ140181AF
M5 - SSZ140241AF
M6 - SSZ140241AG
M7 - SSZ140241AH
M8 - SSZ140241AJ
M9 - SSZ140301AD
M10 - SSZ140301AE
M11 - SSZ140301AF
M12 - SSZ140361AG
M13 - SSZ140361AH
M14 - SSZ140361BA
M15 - SSZ140421AE
M16 - SSZ140421AF
M17 - SSZ140481AE
M18 - SSZ140481AF
M19 - SSZ140601AE
M20 - SSZ140601AF

THIS PAGE INTENTIONALLY LEFT BLANK