

# REPAIR PARTS

---

## MSC / MSH Indoor Remote Cooling & Heat Pump

MSC092E15AXAA  
MSC123E15AXAA  
MSC183E15AXAA  
MSC243E15AXAA  
MSH092E15AXAA  
MSH123E15AXAA  
MSH183E15AXAA  
MSH243E15AXAA



This manual is to be used by qualified technicians only.

© 2012 Goodman Manufacturing Company, L.P. ♦ 5151 San Felipe, Suite 500 ♦ Houston, TX 77056

# Important Information

---

## Index

Functional Parts List .....	3
Illustration and Parts .....	4 - 7

*Views shown are for parts illustrations only, not servicing procedures.*

Single zone Indoor 15 SEER Mini-Split Units.

### Text Codes:

AR - As Required

NA - Not Available

NS - Not Shown

00000000 - See Note

QTY - Quantity Example (QTY 3) (If Quantity not shown, Quantity = 1)

M - Model Example (M1) (If M Code not shown, then part is used on all Models)

### Expanded Model Nomenclature:

Example M1 - Model#1 M2 - Model#2 M3 - Model#3
---

Goodman Manufacturing Company, L.P. is not responsible for personal injury or property damage resulting from improper service. Review all service information before beginning repairs.

Warranty service must be performed by an authorized technician, using authorized factory parts. If service is required after the warranty expires, Goodman Manufacturing Company, L.P. also recommends contacting an authorized technician and using authorized factory parts.

Goodman Manufacturing Company, L.P. reserves the right to discontinue, or change at any time, specifications or designs without notice or without incurring obligations.

For assistance within the U.S.A. contact:  
Consumer Affairs Department  
Goodman Manufacturing Company, L.P.  
7401 Security Way  
Houston, Texas 77040  
877-254-4729-Telephone  
713-863-2382-Facsimile

For assistance outside the U.S.A. contact:  
International Division  
Goodman Manufacturing Company, L.P.  
7401 Security Way  
Houston, Texas 77040  
713-861-2500-Telephone  
713-863-2382-Facsimile

# Functional Parts

**Part  
No:**

**Description:**

Expanded Model Nomenclature

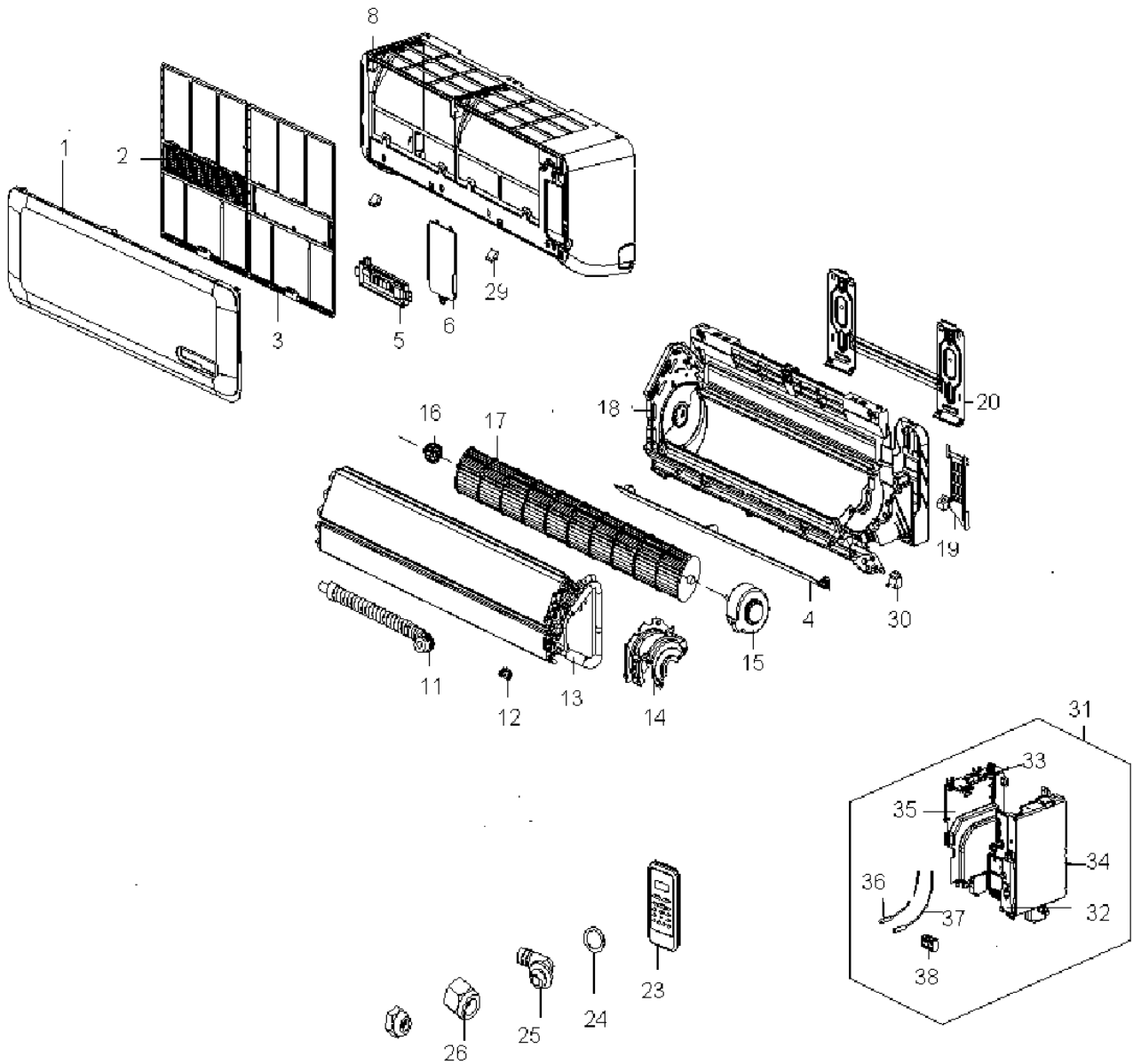
202433190000	Ambient temperature sensor assembly (M1, M2, M3, M4, M5, M8)
202432390005	Ambient temperature sensor assembly (M6, M7)
202400300136	Asynchronous motor (M5)
202400300137	Asynchronous motor (M2, M6)
202400300417	Asynchronous motor (M1)
202400300419	Asynchronous motor (M3, M7)
202400401262	Asynchronous motor (M4, M8)
201100200050	Cross flow fan (M1, M5)
201100200053	Cross flow fan (M4, M8)
201100200051	Cross flow fan (M2, M6)
201100200052	Cross flow fan (M3, M7)
203333090453	Electronic control box assembly (M8)
203332391055	Electronic control box assembly (M5)
203332391077	Electronic control box assembly (M1)
203332591083	Electronic control box assembly (M2)
203332591084	Electronic control box assembly (M6)
203332591085	Electronic control box assembly (M3)
203332591086	Electronic control box assembly (M7)
203333090452	Electronic control box assembly (M4)
202400200120	Louver motor (M4, M8)
202400200031	Louver motor (M1, M2, M3, M5, M6, M7)
201332590944	Main control board assembly (M6)
201333090655	Main control board assembly (M8)
201333090654	Main control board assembly (M4)
201332590945	Main control board assembly (M3)
201332590943	Main control board assembly (M2)
201332391528	Main control board assembly (M1)
201332391405	Main control board assembly (M5)
201332590946	Main control board assembly (M7)
202301300080	Pipe temperature sensor assembly (M4, M8)
202301300584	Pipe temperature sensor assembly (M1, M2, M3, M5, M6, M7)
202300900099	Transformer (M4, M8)

M1 - MSC092E15AXAA
M2 - MSC123E15AXAA
M3 - MSC183E15AXAA
M4 - MSC243E15AXAA
M5 - MSH092E15AXAA
M6 - MSH123E15AXAA
M7 - MSH183E15AXAA
M8 - MSH243E15AXAA

## SPECIAL PARTS

203355091469	Remote Controller
--------------	-------------------

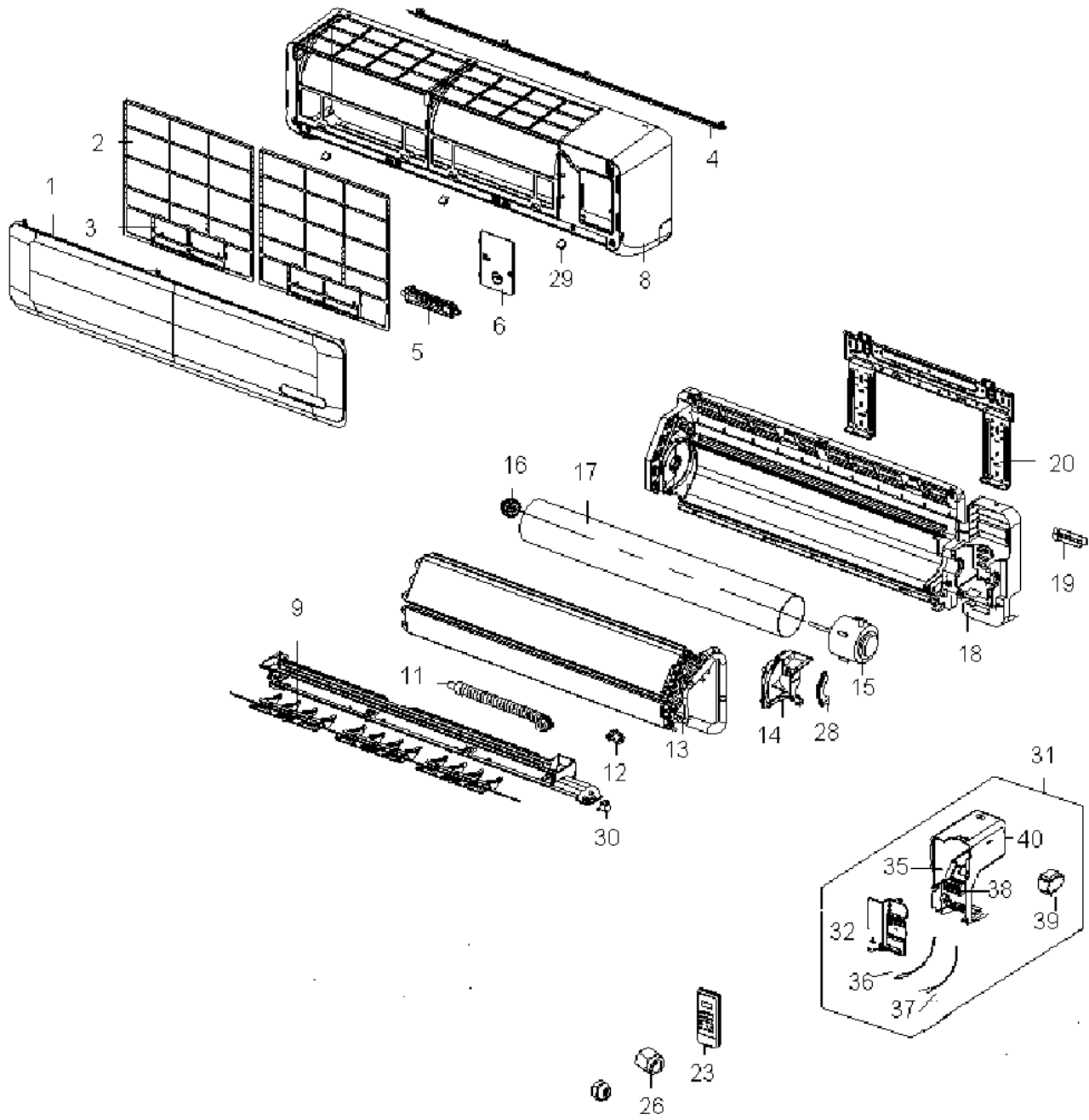
MSC / MSH (092,123, 183)



# MSC / MSH (092,123, 183)

Ref. Part No:	No:	Description:	Ref. Part No:	No:	Description:
<i>Image 1:</i>			<i>Image 1:</i>		
1	201132391050	Panel assembly (M1, M5)	26	201600330003	Nut (M3, M7)
1	201132490135	Panel assembly (M2, M6)	29	201119900950	Screw cap (M1, M2, M3, M5, M6, M7)
1	201132790646	Panel assembly (M3, M7)	30	202400200031	Louver motor (M1, M2, M3, M5, M6, M7)
2	201132391045	Air filter (M1, M5)	31	203332391055	Electronic control box assembly (M5)
2	201132490130	Air filter (M2, M6)	31	203332391077	Electronic control box assembly (M1)
2	201132790644	Air filter (M3, M7)	31	203332591083	Electronic control box assembly (M2)
3	201131410703	Air cleaner (M1, M2, M3, M5, M6, M7)	31	203332591084	Electronic control box assembly (M6)
4	201132391046	Horizontal louver (M1, M5)	31	203332591085	Electronic control box assembly (M3)
4	201132490131	Horizontal louver (M2, M6)	31	203332591086	Electronic control box assembly (M7)
4	201132790643	Horizontal louver (M3, M7)	32	201132490126	Cover of electronic control box (M1, M2, M3, M5, M6, M7)
5	203332590981	Display box assembly (M1, M2, M3)	33	201132490125	Electronic control box I (M1, M2, M3, M5, M6, M7)
5	203332590982	Display box assembly (M5, M6, M7)	34	201132490124	Electronic control box II (M1, M2, M3, M5, M6, M7)
6	201119900948	Cover of indoor electronic control box (M1, M2, M3, M5, M6, M7)	35	201332391405	Main control board assembly (M5)
8	201132391047	Panel frame assembly (M1, M5)	35	201332391528	Main control board assembly (M1)
8	201132490134	Panel frame assembly (M2, M6)	35	201332590943	Main control board assembly (M2)
8	201132790641	Panel frame assembly (M3, M7)	35	201332590944	Main control board assembly (M6)
11	201101020038	Drain hose (M1, M2, M3, M5, M6, M7)	35	201332590945	Main control board assembly (M3)
12	201102000305	Fix clamp of temperature sensor (M1, M2, M3, M5, M6, M7)	35	201332590946	Main control board assembly (M7)
13	201532390187	Evaporator assembly (M1, M5)	36	202432390005	Ambient temperature sensor assembly (M6, M7)
13	201532490051	Evaporator assembly (M2, M6)	36	202433190000	Ambient temperature sensor assembly (M1, M2, M3, M5)
13	201532790079	Evaporator assembly (M3, M7)	37	202301300584	Pipe temperature sensor assembly (M1, M2, M3, M5, M6, M7)
14	201132490127	Fan motor cover (M1, M2, M5, M6)	38	202301400073	Wire joint (M3, M7)
14	201132790645	Fan motor cover (M3, M7)	38	202301450119	Wire joint (M1, M2, M5, M6)
15	202400300136	Asynchronous motor (M5)	<b>Expanded Model Nomenclature</b>		
15	202400300137	Asynchronous motor (M2, M6)	M1 - MSC092E15AXAA		
15	202400300417	Asynchronous motor (M1)	M2 - MSC123E15AXAA		
15	202400300419	Asynchronous motor (M3, M7)	M3 - MSC183E15AXAA		
16	202719900606	Bearing base (M1, M2, M3, M5, M6, M7)	M4 - MSC243E15AXAA		
17	201100200050	Cross flow fan (M1, M5)	M5 - MSH092E15AXAA		
17	201100200051	Cross flow fan (M2, M6)	M6 - MSH123E15AXAA		
17	201100200052	Cross flow fan (M3, M7)	M7 - MSH183E15AXAA		
18	201132391049	Chassis assembly (M1, M5)	M8 - MSH243E15AXAA		
18	201132490133	Chassis assembly (M2, M6)			
18	201132790642	Chassis assembly (M3, M7)			
19	201119900949	Pipe clamp board (M1, M2, M3, M5, M6, M7)			
20	201232390028	Installation plate (M1, M5)			
20	201232490004	Installation plate (M2, M6)			
20	201232790011	Installation plate (M3, M7)			
23	203355091469	Remote Controller (M1, M2, M3, M5, M6, M7)			
24	202720090001	Seal ring (M1, M2, M5, M6, M7)			
25	201101020011	Drain connector (M1, M2, M5, M6, M7)			
26	201600330001	Nut (M1, M2, M3, M5, M6, M7)			
26	201600330002	Nut (M1, M2, M5, M6)			

# MSC / MSH 243



# MSC / MSH 243

**Ref. Part  
No: No:**

**Description:**

**Ref. Part  
No: No:**

**Description:**

*Image 1:*

1	201133090983	Panel assembly (M4, M8)
2	201133090979	Air filter (M4, M8)
3	201131410703	Air cleaner (M4, M8)
4	201133090987	Horizontal louver (M4, M8)
5	203332590981	Display box assembly (M4)
5	203332590982	Display box assembly (M8)
6	201133090982	Cover of indoor electronic control box (M4, M8)
8	201133090985	Panel frame assembly (M4, M8)
9	201133090978	Air outlet assembly (M4, M8)
11	201101020038	Drain hose (M4, M8)
12	201102000305	Fix clamp of temperature sensor (M4, M8)
13	201533090118	Evaporator assembly (M4, M8)
14	201133090980	Fan motor cover (M4, M8)
15	202400401262	Asynchronous motor (M4, M8)
16	202719900606	Bearing base (M4, M8)
17	201100200053	Cross flow fan (M4, M8)
18	201133090986	Chassis assembly (M4, M8)
19	201232800001	Pipe clamp board (M4, M8)
20	201232590038	Installation plate (M4, M8)
23	203355091469	Remote Controller (M4, M8)
24	202720090001	Seal ring (M8)
25	201101020011	Drain connector (M8)
26	201600330002	Nut (M4, M8)
26	201600330004	Nut (M4, M8)
28	201133090167	Fixing board of fan motor (M4, M8)
29	201119900950	Screw cap (M4, M8)
30	202400200120	Louver motor (M4, M8)
31	203333090452	Electronic control box assembly (M4)
31	203333090453	Electronic control box assembly (M8)
32	201133090981	Cover of electronic control box (M4, M8)
35	201333090654	Main control board assembly (M4)
35	201333090655	Main control board assembly (M8)
36	202433190000	Ambient temperature sensor assembly (M4, M8)
37	202301300080	Pipe temperature sensor assembly (M4, M8)
38	202301400073	Wire joint (M4, M8)
39	202300900099	Transformer (M4, M8)
40	201133090976	Electronic control box (M4, M8)

Expanded Model Nomenclature

M1 - MSC092E15AXAA
M2 - MSC123E15AXAA
M3 - MSC183E15AXAA
M4 - MSC243E15AXAA
M5 - MSH092E15AXAA
M6 - MSH123E15AXAA
M7 - MSH183E15AXAA
M8 - MSH243E15AXAA