

REPAIR PARTS

MBVC Air handlers

MBVC1200AA-1AA

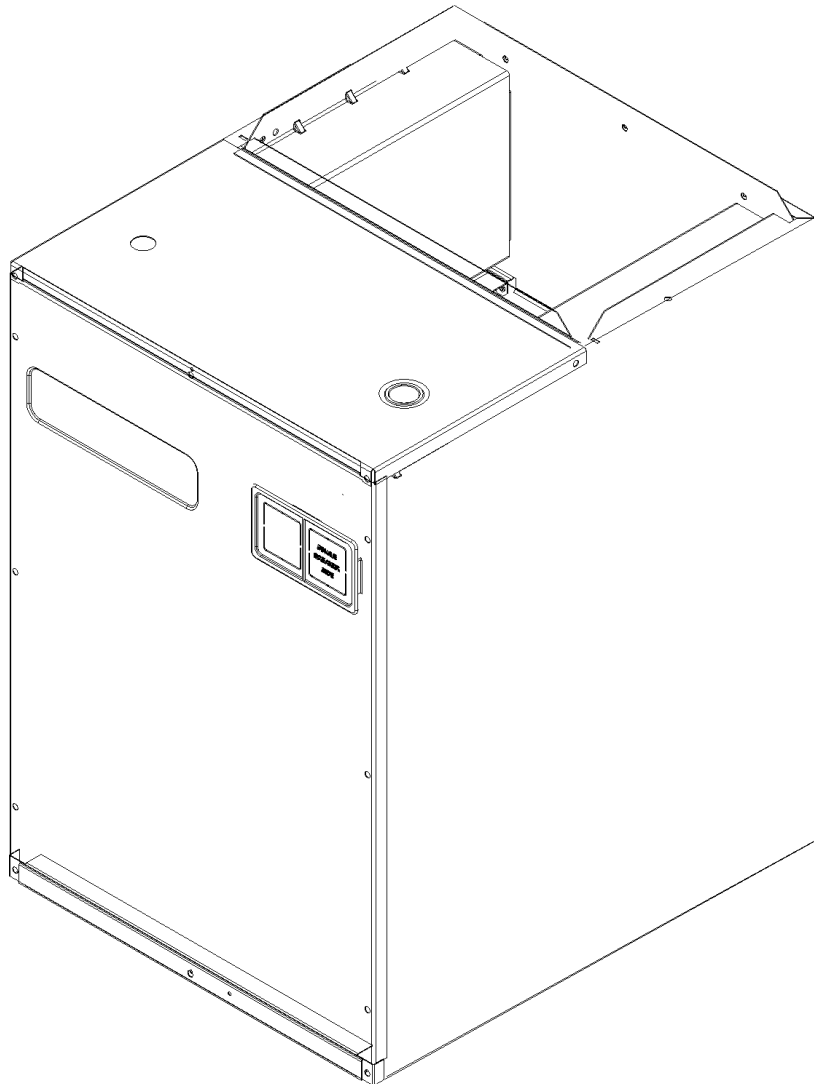
MBVC1200AA-1AB

MBVC1600AA-1AA

MBVC1600AA-1AB

MBVC2000AA-1AA

MBVC2000AA-1AB



This manual is to be used by qualified technicians only.

Replaces RP-565

© 2009 Goodman Manufacturing Company, L.P. ♦ 5151 San Felipe, Suite 500 ♦ Houston, TX 77056

Important Information

Index

Functional Parts List	3
Illustration and Parts	4 - 9

Views shown are for parts illustrations only, not servicing procedures.

Text Codes:

AR - As Required

NA - Not Available

NS - Not Shown

00000000 - See Note

QTY - Quantity Example (QTY 3) (If Quantity not shown, Quantity = 1)

M - Model Example (M1) (If M Code not shown, then part is used on all Models)

Expanded Model Nomenclature:

Example
M1 - Model#1
M2 - Model#2
M3 - Model#3

Goodman Manufacturing Company, L.P. is not responsible for personal injury or property damage resulting from improper service. Review all service information before beginning repairs.

Warranty service must be performed by an authorized technician, using authorized factory parts. If service is required after the warranty expires, Goodman Manufacturing Company, L.P. also recommends contacting an authorized technician and using authorized factory parts.

Goodman Manufacturing Company, L.P. reserves the right to discontinue, or change at any time, specifications or designs without notice or without incurring obligations.

For assistance within the U.S.A. contact:
Consumer Affairs Department
Goodman Manufacturing Company, L.P.
7401 Security Way
Houston, Texas 77040
877-254-4729-Telephone
713-863-2382-Facsimile

For assistance outside the U.S.A. contact:
International Division
Goodman Manufacturing Company, L.P.
7401 Security Way
Houston, Texas 77040
713-861-2500-Telephone
713-863-2382-Facsimile

Functional Parts

Part

No: Description:

B1368016S	BLOWER WHEEL 10 X 8 (M1, M2, M3, M4)
B1368000S	BLOWER WHEEL 11 X 10 (M5, M6)
0131M00270S	MOTOR, 1/2 HP, SERIAL ECM (M1, M2)
0131M00271S	MOTOR, 3/4 HP, SERIAL ECM (M3, M4, M5, M6)
PCBJA101S	PCB, CONTROL, AIR HANDLER
B1141643	TRANSFORMER 208/230, 24V

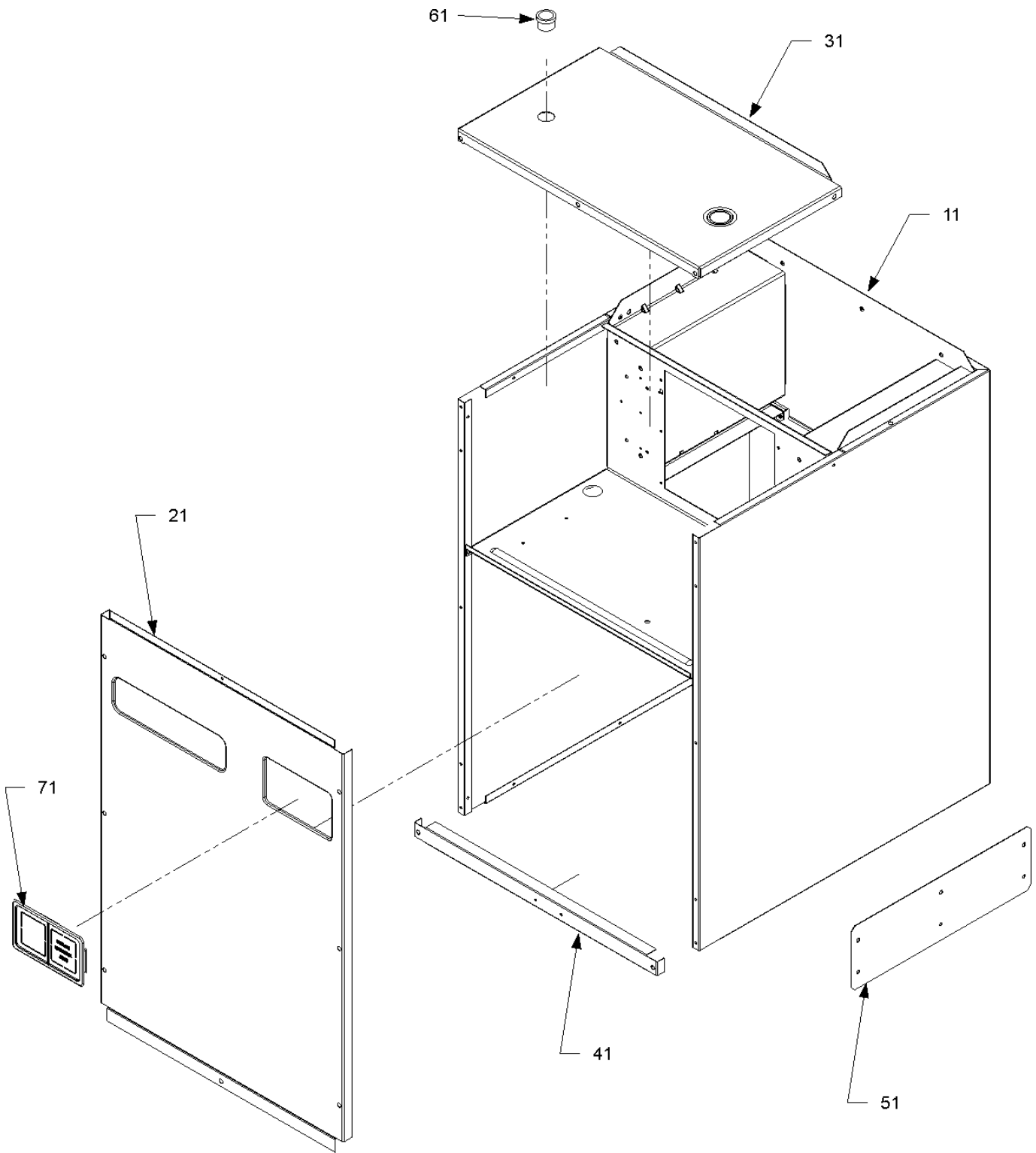
SPECIAL PARTS

IO-344C Installation Manual

Expanded Model Nomenclature

M1 - MBVC1200AA-1
M2 - MBVC1200AA-1
M3 - MBVC1600AA-1
M4 - MBVC1600AA-1
M5 - MBVC2000AA-1
M6 - MBVC2000AA-1

Cabinet



Cabinet

Ref. Part No:	No:	Description:	Ref. Part No:	No:	Description:
---------------	-----	--------------	---------------	-----	--------------

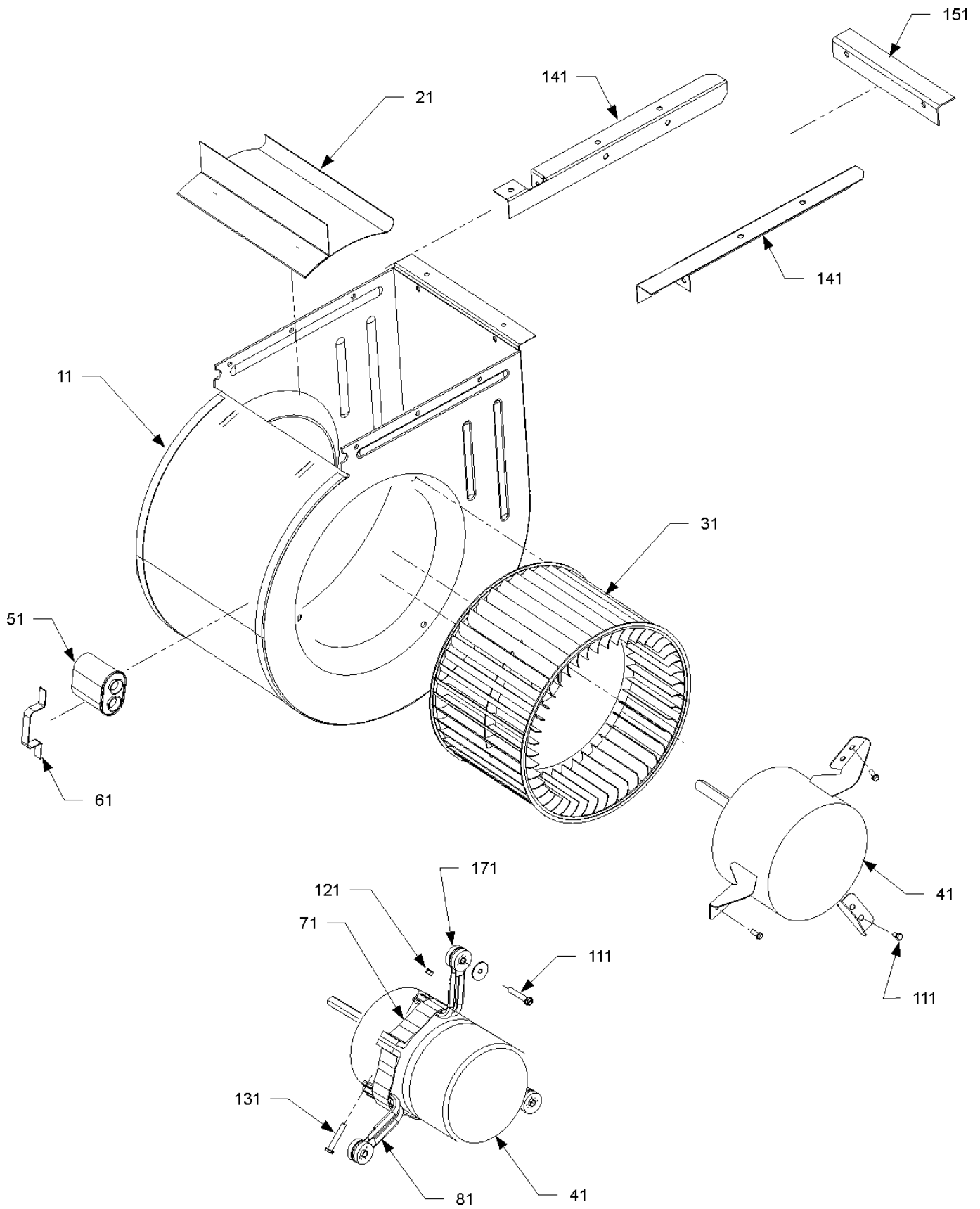
Image 1:

11	5002010PDGS	WRAPPER 17.5" X 26" (M1, M2)
11	5002011PDGS	WRAPPER 21" X 30" (M3, M4)
11	5002012PDGS	WRAPPER 24.5" X 30" (M5, M6)
21	5001205PDG	BOTTOM RAIL 17.5" (M1, M2)
21	5001209PDG	BOTTOM RAIL 21" (M3, M4)
21	5601500PDGS	FRONT PANEL (M1, M2)
21	5601501PDG	FRONT PANEL (M3, M4)
21	5601502PDGS	FRONT PANEL (M5, M6)
21	5001210PDGS	RAIL, BOTTOM 24.5" (M5, M6)
41	5601000PDG	TOP PLATE (M1, M2)
41	5601001PDG	TOP PLATE (M3, M4)
41	5601002PDG	TOP PLATE (M5, M6)
51	5651200PDG	TIE-IN-PLATE (QTY 4)
71	B1392641	PLASTIC CIRCUIT BREAKER INSERT

Expanded Model Nomenclature

M1 - MBVC1200AA-1AA
M2 - MBVC1200AA-1AB
M3 - MBVC1600AA-1AA
M4 - MBVC1600AA-1AB
M5 - MBVC2000AA-1AA
M6 - MBVC2000AA-1AB

Blower Assembly



Blower Assembly

Ref. Part No:	Ref. Part No:	Description:	Description:
---------------	---------------	--------------	--------------

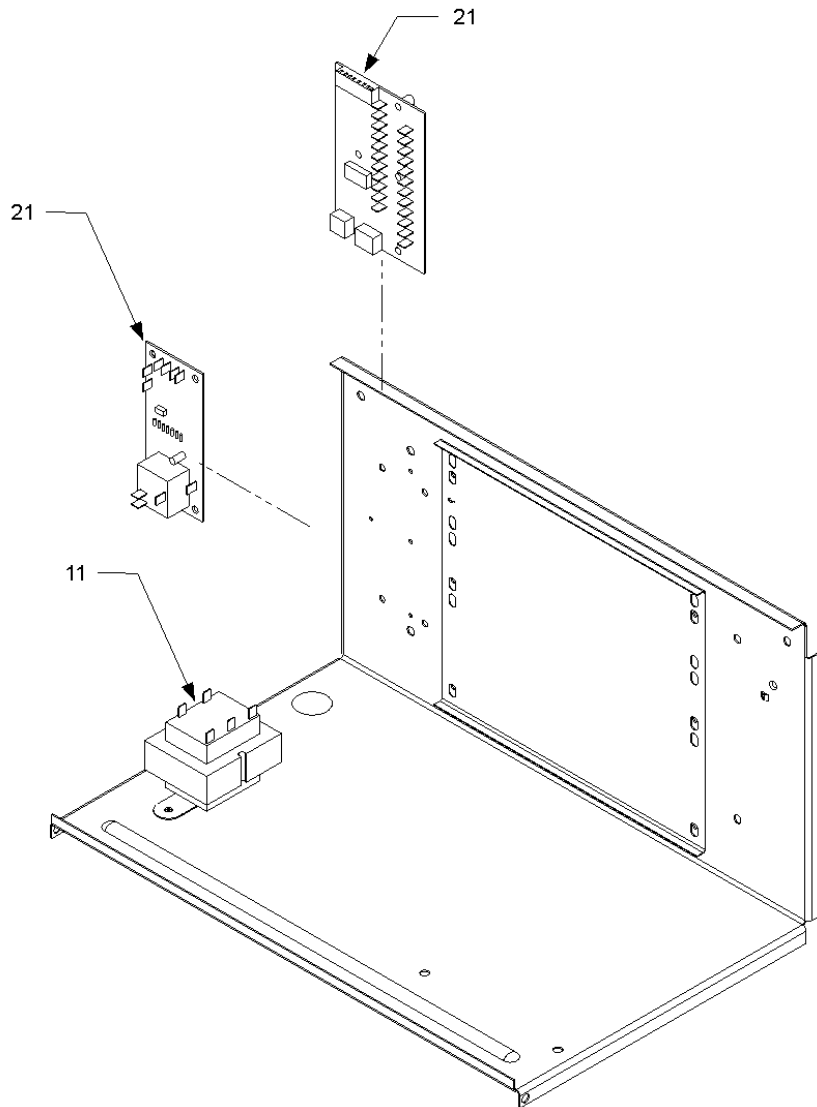
Image 1:

11	5660205S	BLOWER HOUSING ASSY 10 X 8 (M1, M2, M3, M4)
11	5660207	BLOWER SHELL ASSEMBLY (M5, M6)
21	1864700	BLOWER CUT-OFF 10 X 10 (M5, M6)
21	0121A00000P	BLOWER CUTOFF ANGLE (M5, M6)
21	1817122	BLOWER CUT-OFF BRACKET (M5, M6)
31	B1368016S	BLOWER WHEEL 10 X 8 (M1, M2, M3, M4)
31	B1368000S	BLOWER WHEEL 11 X 10 (M5, M6)
41	0131M00270S	MOTOR, 1/2 HP, SERIAL ECM (M1, M2)
41	0131M00271S	MOTOR, 3/4 HP, SERIAL ECM (M3, M4, M5, M6)
71	0121M00038	MOTOR MOUNT BAND (M1, M2, M3, M4)
71	0121M00039	MOTOR MOUNT BAND (HEAVY DUTY) (M5, M6)
81	0163A00008	MOTOR MOUNT ARM (M5, M6)
81	B1376853	MOTOR MOUNT ARM (M1, M2, M3, M4)
111	B1393323	MACHINE SCREW HWH 1/4-20 X 1-1/2 BZ
121	B1393800	LOCKNUT, NYLON, INSERT 1/4, 20
141	5601806	BLOWER RAIL (M1, M2)
141	5601807	BLOWER RAIL (M3, M4, M5, M6)
151	1717111	BLOWER MOUNTING ANGLE (M3, M4)
151	1717112	BLOWER MOUNTING ANGLE (M5, M6)
151	1717113	BLOWER MOUNTING ANGLE (M1, M2)

Expanded Model Nomenclature

M1 - MBVC1200AA-1AA
M2 - MBVC1200AA-1AB
M3 - MBVC1600AA-1AA
M4 - MBVC1600AA-1AB
M5 - MBVC2000AA-1AA
M6 - MBVC2000AA-1AB

Control/Electrical



Control/Electrical

Ref. Part No:	No:	Description:	Ref. Part No:	No:	Description:
---------------	-----	--------------	---------------	-----	--------------

Image 1:

11	B1141643	TRANSFORMER 208/230, 24V
21	PCBJA101S	PCB, CONTROL, AIR HANDLER
NS	0259A00002P	WIRE ASSY, 9-PIN MALE CONNECTOR
NS	0259A00007	WIRE HARNESS
NS	0259A00008	WIRE HARNESS

Expanded Model Nomenclature

M1 - MBVC1200AA-1AA
M2 - MBVC1200AA-1AB
M3 - MBVC1600AA-1AA
M4 - MBVC1600AA-1AB
M5 - MBVC2000AA-1AA
M6 - MBVC2000AA-1AB