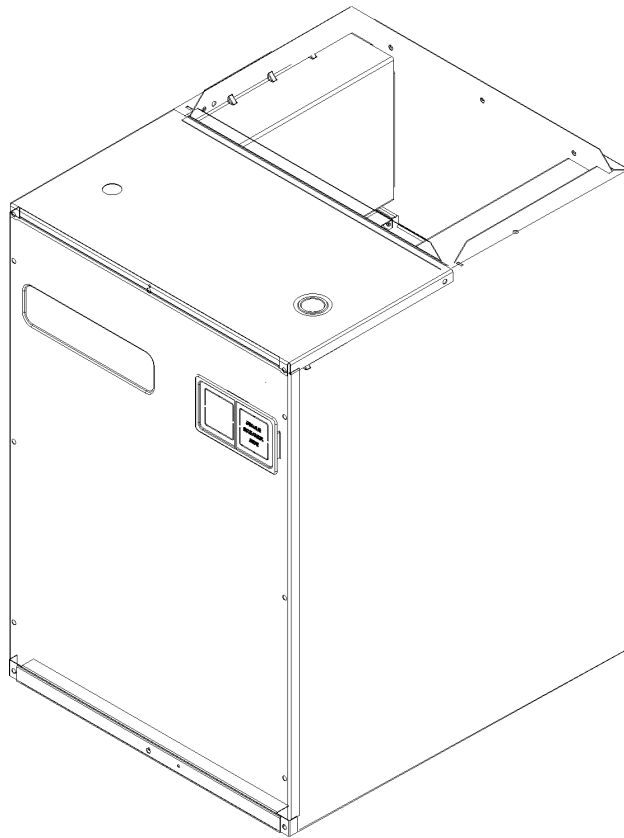


# REPAIR PARTS

## MBE/MBR Air Handlers

MBE1200AA-1AA  
MBE1200AA-1BA  
MBE1600AA-1AA  
MBE1600AA-1BA  
MBE2000AA-1AA  
MBE2000AA-1BA  
MBR0800AA-1AA  
MBR1200AA-1AA  
MBR1600AA-1AA  
MBR2000AA-1AA



Goodman Manufacturing Company, L.P.  
5151 San Felipe, Suite 500  
Houston, TX 77056

[www.goodmanmfg.com](http://www.goodmanmfg.com) [www.amana-hac.com](http://www.amana-hac.com)

RP-254C  
April 2007

# Important Information

---

## Index

Functional Parts List .....	3
Illustration and Parts .....	4 - 9

*Views shown are for parts illustrations only, not servicing procedures*

Rev. C: Added "BA" models.

### Text Codes:

AR - As Required

NA - Not Available

NS - Not Shown

00000000 - See Note

QTY - Quantity Example (QTY 3) (If Quantity not shown, Quantity = 1)

M - Model Example (M1) (If M Code not shown, then part is used on all Models)

### Expanded Model Nomenclature:

Example M1 - Model#1 M2 - Model#2 M3 - Model#3
---

Goodman Manufacturing Company, L.P. is not responsible for personal injury or property damage resulting from improper service. Review all service information before beginning repairs.

Warranty service must be performed by an authorized technician, using authorized factory parts. If service is required after the warranty expires, Goodman Manufacturing Company, L.P. also recommends contacting an authorized technician and using authorized factory parts.

Goodman Manufacturing Company, L.P. reserves the right to discontinue, or change at any time, specifications or designs without notice or without incurring obligations.

For assistance within the U.S.A. contact:  
Consumer Affairs Department  
Goodman Manufacturing Company, L.P.  
7401 Security Way  
Houston, Texas 77040  
877-254-4729-Telephone  
713-863-2382-Facsimile

For assistance outside the U.S.A. contact:  
International Division  
Goodman Manufacturing Company, L.P.  
7401 Security Way  
Houston, Texas 77040  
713-861-2500-Telephone  
713-863-2382-Facsimile

# Functional Parts

## Part

## No: Description:

---

B1370735S	BOARD, ELECTRONIC TIME DELAY RELAY (M7, M8, M9, M10)
CAP100000370VA	CAPACITOR 10/370V (M7, M8, M9)
CAP150000370VA	CAPACITOR 15/370V (M10)
B1368274	ECM BOARD PRIMARY, VSTB (M1, M2, M3, M4, M5, M6)
BT1340044S	ECM MOTOR 1/2 HP (M1, M2)
BT1340045S	ECM MOTOR 3/4 HP (M3, M4)
BT1340046S	ECM MOTOR 3/4 HP (M5, M6)
B1378701	HIGH VOLTAGE WIRE HARNESS (M1, M2, M3, M4, M5, M6)
B1378700	LOW VOLTAGE WIRE HARNESS (M1, M2, M3, M4, M5, M6)
11091204S	MOTOR 1/2 HP, 3 SP, 8 PL (M10)
11091202S	MOTOR 1/3 HP, 3 SP, 6 PL (M8)
11091203S	MOTOR 1/3 HP, 3 SP, 6 PL (M9)
11091207S	MOTOR 1/4 HP, 3 SP, 8 PL (M7)
B1141643	TRANSFORMER 208/230, 24V
1378708S	WIRE ASSY, 9 PIN, FEMALE CONNECTOR (M7, M8, M9, M10)
1378711	WIRE ASSY, 9 PIN, FEMALE CONNECTOR (M1, M2, M3, M4, M5, M6)
1378709	WIRE ASSY, 9 PIN, MALE CONNECTOR

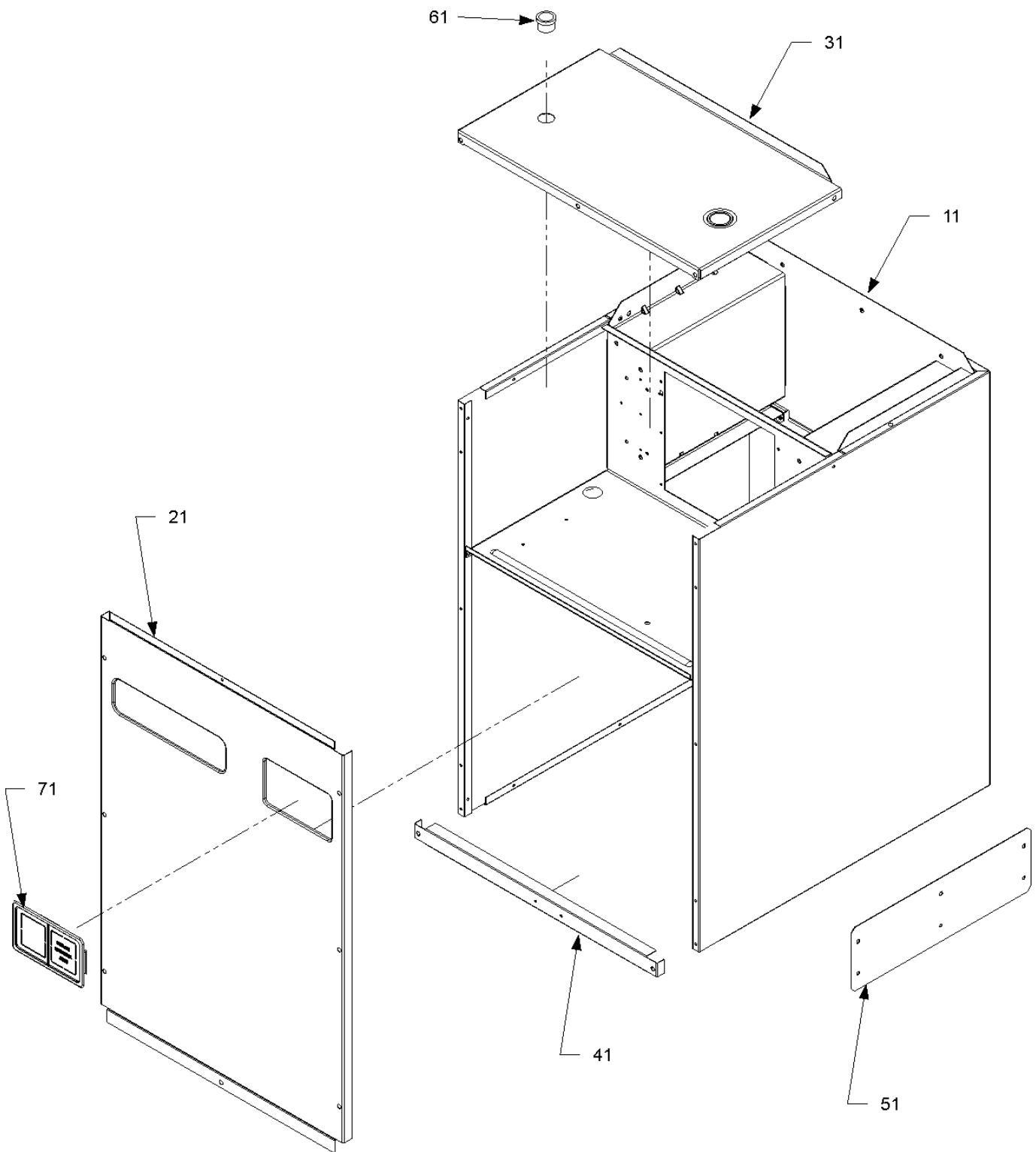
## SPECIAL PARTS

IO-239B	INSTALLATION INSTRUCTIONS
RP-254C	REPAIR PARTS MANUAL

## Expanded Model Nomenclature

M1 - MBE1200AA-1AA
M2 - MBE1200AA-1BA
M3 - MBE1600AA-1AA
M4 - MBE1600AA-1BA
M5 - MBE2000AA-1AA
M6 - MBE2000AA-1BA
M7 - MBR0800AA-1AA
M8 - MBR1200AA-1AA
M9 - MBR1600AA-1AA
M10 - MBR2000AA-1AA

# Cabinet



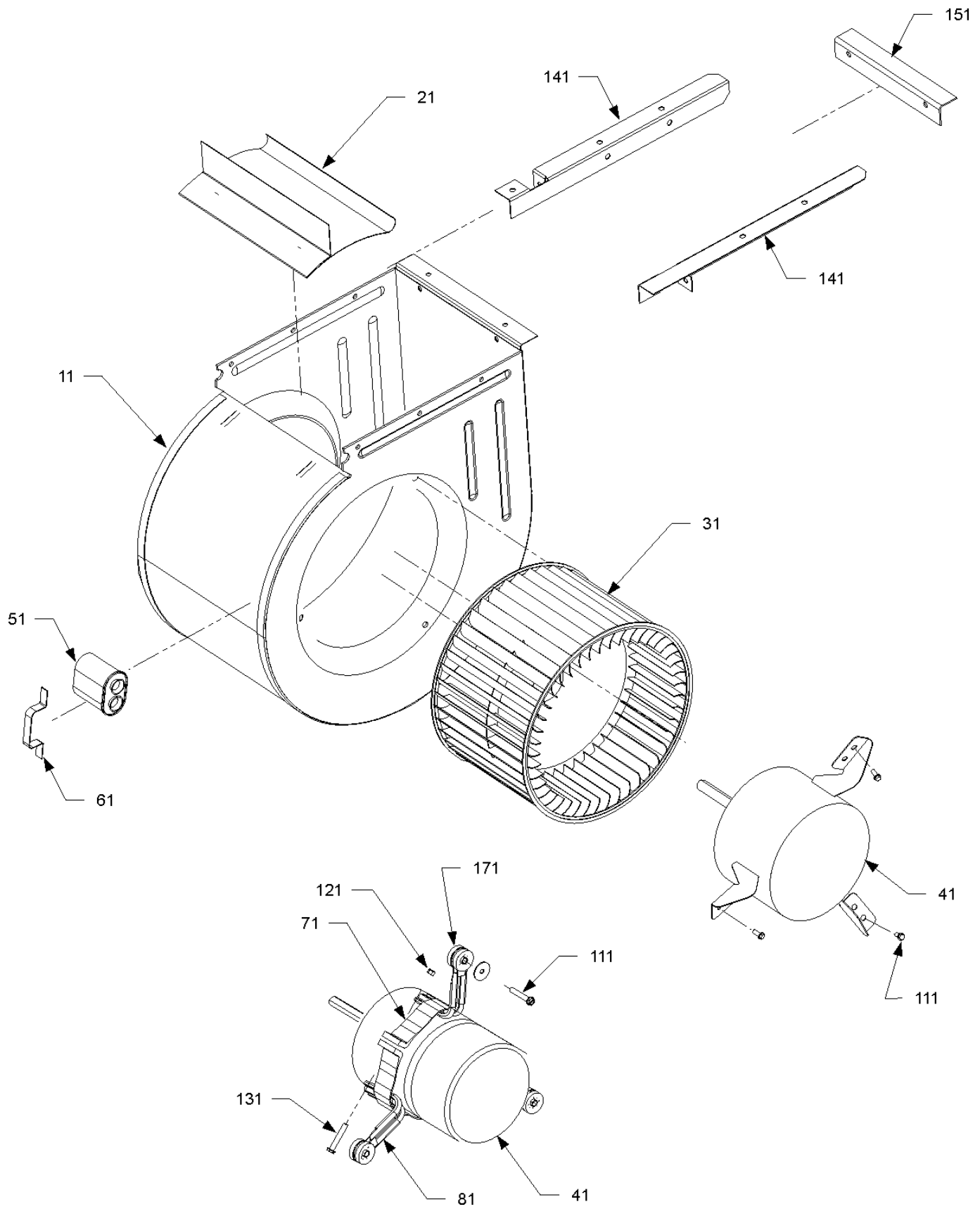
# Cabinet

Ref Part No:	Description:	Ref. Part No:	Description:
<i>Image 1:</i>			
11	5002010PDG		WRAPPER 17.5" X 26" (M1, M2, M7, M8)
11	5002011PDG		WRAPPER 21" X 30" (M3, M4, M9)
11	5002012PDG		WRAPPER 24.5" X 30" (M5, M6, M10)
21	5601500PDG		FRONT PANEL (M1, M2, M7, M8)
21	5601501PDG		FRONT PANEL (M3, M4, M9)
21	5601502PDG		FRONT PANEL (M5, M6, M10)
31	5601000PDG		TOP PLATE (M1, M2, M7, M8)
31	5601001PDG		TOP PLATE (M3, M4, M9)
31	5601002PDG		TOP PLATE (M5, M6, M10)
41	5001205PDG		BOTTOM RAIL 17.5" (M1, M2, M7, M8)
41	5001209PDG		BOTTOM RAIL 21" (M3, M4, M9)
41	5001210PDG		BOTTOM RAIL 24.5" (M5, M6, M10)
51	5651200PDG		TIE-IN PLATE (QTY 2)
61	B1392107		STRAIN RELIEF (M7, M8, M9, M10)
61	BT1393416		STRAIN RELIEF BUSHING (M1, M2, M3, M4, M5, M6)
71	B1392641		PLASTIC CIRCUIT BREAKER INSERT

## Expanded Model Nomenclature

M1 - MBE1200AA-1AA
M2 - MBE1200AA-1BA
M3 - MBE1600AA-1AA
M4 - MBE1600AA-1BA
M5 - MBE2000AA-1AA
M6 - MBE2000AA-1BA
M7 - MBR0800AA-1AA
M8 - MBR1200AA-1AA
M9 - MBR1600AA-1AA
M10 - MBR2000AA-1AA

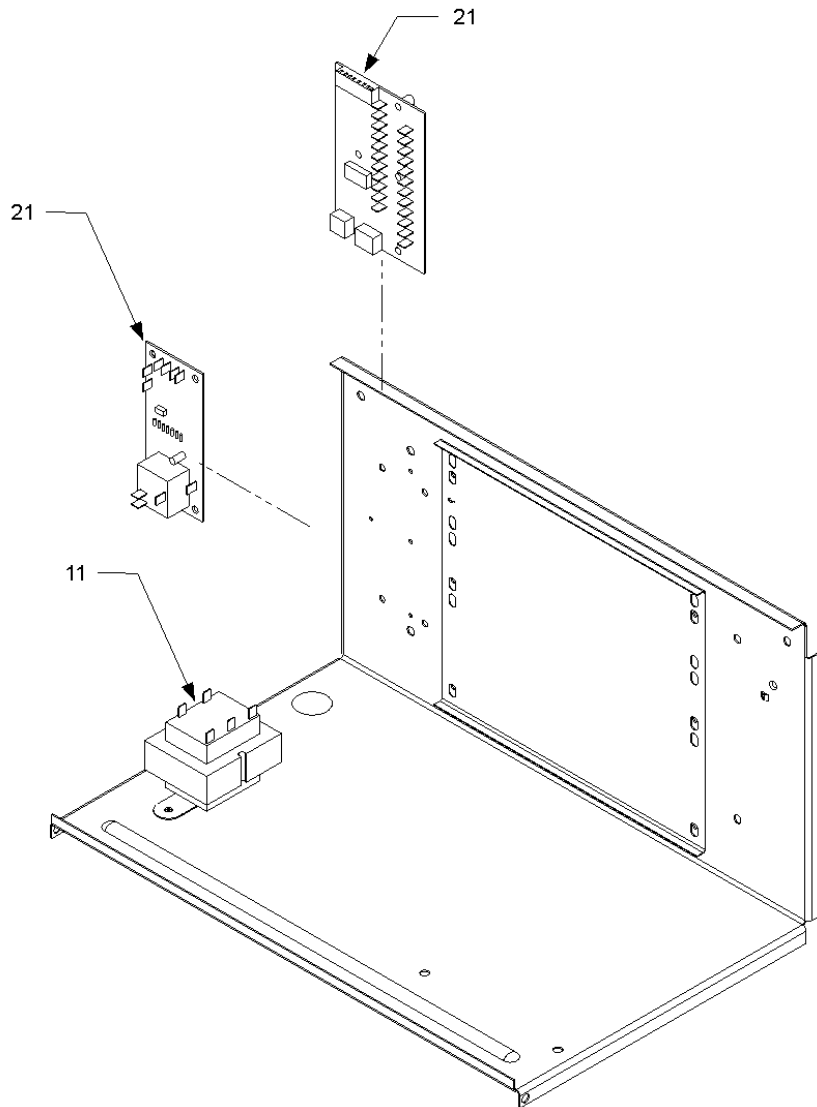
# Blower Assembly



# Blower Assembly

Ref Part No:	Description:	Ref. Part No:	Description:
<i>Image 1:</i>		Expanded Model Nomenclature	
11	5660200 ASSY, BLOWER SHELL (M7)	M1	MBE1200AA-1AA
11	5660201 ASSY, BLOWER SHELL (M8)	M2	MBE1200AA-1BA
11	5660203 ASSY, BLOWER SHELL (M10)	M3	MBE1600AA-1AA
11	5660205S ASSY, BLOWER SHELL (M1, M2, M3, M4, M9)	M4	MBE1600AA-1BA
11	5660207 ASSY, BLOWER SHELL (M5, M6)	M5	MBE2000AA-1AA
21	5647000 BLOWER CUT-OFF (M7)	M6	MBE2000AA-1BA
21	5647001 BLOWER CUT-OFF (M8)	M7	MBR0800AA-1AA
21	5647002 BLOWER CUT-OFF (M1, M2, M3, M4, M9)	M8	MBR1200AA-1AA
21	1864700 BLOWER CUT-OFF 10 X 10 (M5, M6)	M9	MBR1600AA-1AA
21	1824004 BLOWER CUT-OFF 11 X 10 (M10)	M10	MBR2000AA-1AA
31	B1368047A BLOWER WHEEL 10 X 10 (M10)		
31	B1368016S BLOWER WHEEL 10 X 8 (M1, M2, M3, M4, M9)		
31	B1368000S BLOWER WHEEL 11 X 10 (M5, M6)		
31	B1368042S BLOWER WHEEL 9 X 6 (M7)		
31	B1368036S BLOWER WHEEL 9 X 8 (M8)		
41	BT1340044S ECM MOTOR 1/2 HP (M1, M2)		
41	BT1340045S ECM MOTOR 3/4 HP (M3, M4)		
41	BT1340046S ECM MOTOR 3/4 HP (M5, M6)		
51	CAP100000370VA CAPACITOR 10/370V (M7, M8, M9)		
51	CAP150000370VA CAPACITOR 15/370V (M10)		
61	1284835 CAPACITOR STRAP (M7, M8, M9, M10)		
71	11091204S MOTOR 1/2 HP, 3 SP, 8 PL (M10)		
71	11091202S MOTOR 1/3 HP, 3 SP, 6 PL (M8)		
71	11091203S MOTOR 1/3 HP, 3 SP, 6 PL (M9)		
71	11091207S MOTOR 1/4 HP, 3 SP, 8 PL (M7)		
71	0121M00038 MOUNT BAND, MOTOR (M1, M2, M3, M4, M10)		
71	0121M00039 MOUNT BAND, MOTOR (M5, M6)		
81	0163A00008 MOUNT ARM, MOTOR (M5, M6)		
81	B1376853 MOUNT ARM, MOTOR (M1, M2, M3, M4, M10)		
111	B1393322 SCREW, MACHINE HWH 1/4-20X1 1/2 BZ (M1, M2, M3, M4, M5, M6, M10)		
111	B1393309 SCREW, MACHINE, 1/4-20TPI X 3/4" LG (M7, M8, M9)		
121	B1393800 LOCKNUT, NYLON, INSERT 1/4, 20 (M1, M2, M3, M4, M5, M6, M10)		
131	B1393323 SCREW, MACHINE HWH 1/4-20X1 1/2 BZ (M1, M2, M3, M4, M5, M6, M10)		
141	5601804 BLOWER RAIL (M7)		
141	5601806 BLOWER RAIL (M1, M2, M8)		
141	5601807 BLOWER RAIL (M3, M4, M5, M6, M9, M10)		
151	1717110 BLOWER MOUNTING ANGLE (M7)		
151	1717111 BLOWER MOUNTING ANGLE (M3, M4, M8, M9)		
151	1717112 BLOWER MOUNTING ANGLE (M5, M6, M10)		
151	1717113 BLOWER MOUNTING ANGLE (M1, M2)		
171	B1392143 GROMMET, 26TAL F/TORSIN FLEX (M7, M8)		
NS	A3375801 CAPACITOR BOOT (M7, M8, M9, M10)		

# Control/Electrical





# Control/Electrical

Ref Part No:	Description:	Ref. Part No:	Description:
--------------	--------------	---------------	--------------

Image 1:

11	B1141643	TRANSFORMER 208/230, 24V
21	B1370735S	BOARD, ELECTRONIC TIME DELAY RELAY (M7, M8, M9, M10)
21	B1368274	ECM BOARD PRIMARY, VSTB (M1, M2, M3, M4, M5, M6)
NS	B1378701	HIGH VOLTAGE WIRE HARNESS (M1, M2, M3, M4, M5, M6)
NS	B1378700	LOW VOLTAGE WIRE HARNESS (M1, M2, M3, M4, M5, M6)
NS	1378708S	WIRE ASSY, 9 PIN, FEMALE CONNECTOR (M7, M8, M9, M10)
NS	1378711	WIRE ASSY, 9 PIN, FEMALE CONNECTOR (M1, M2, M3, M4, M5, M6)
NS	1378709	WIRE ASSY, 9 PIN, MALE CONNECTOR

Expanded Model Nomenclature

M1 - MBE1200AA-1AA
M2 - MBE1200AA-1BA
M3 - MBE1600AA-1AA
M4 - MBE1600AA-1BA
M5 - MBE2000AA-1AA
M6 - MBE2000AA-1BA
M7 - MBR0800AA-1AA
M8 - MBR1200AA-1AA
M9 - MBR1600AA-1AA
M10 - MBR2000AA-1AA