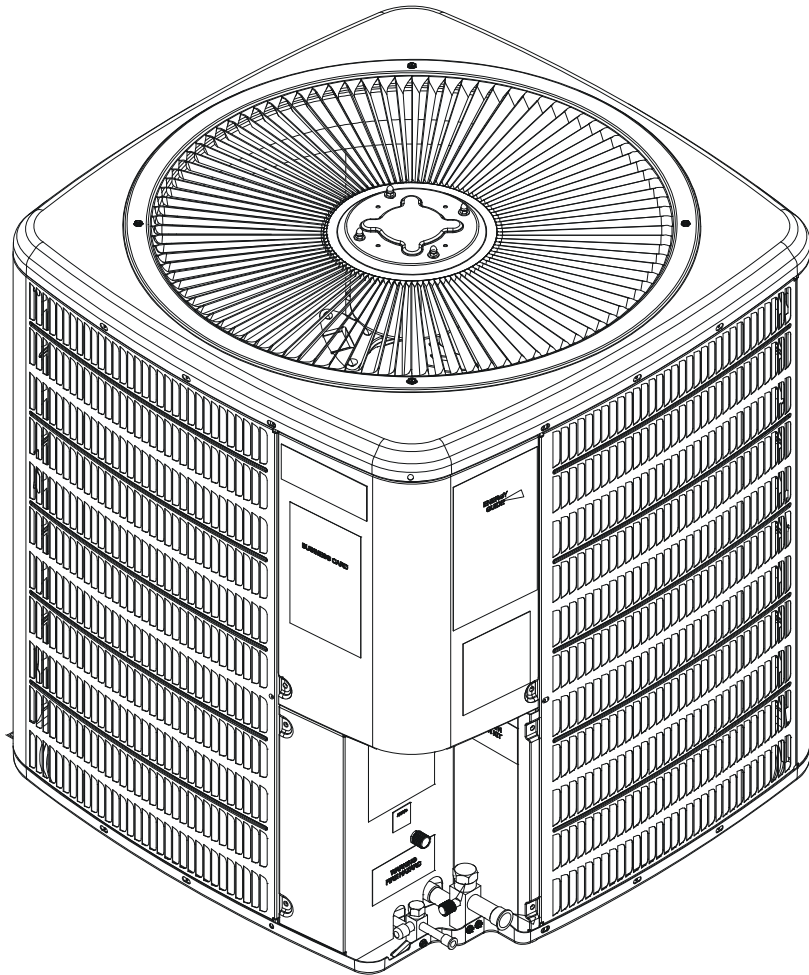


REPAIR PARTS

GSZ 13 SEER R410A Remote Heat Pumps

GSZ130181AC
GSZ130181AD
GSZ130181AE
GSZ130241BB
GSZ130241BC
GSZ130301AD
GSZ130301AE
GSZ130301AF
GSZ130361BB
GSZ130361BC
GSZ130363AB
GSZ130363AC
GSZ130421AC
GSZ130421AD
GSZ130421AE
GSZ130481AC
GSZ130481AD
GSZ130481AE
GSZ130483AB
GSZ130483AC
GSZ130484AB
GSZ130601AC
GSZ130601AD
GSZ130603AB
GSZ130604AB



This manual is to be used by qualified technicians only.

This manual replaces RP-651A.

© 2011,2012 Goodman Manufacturing Company, L.P. ♦ 5151 San Felipe, Suite 500 ♦ Houston, TX 77056

Important Information

Index

Functional Parts List	3
Illustration and Parts	4 - 11

Views shown are for parts illustrations only, not servicing procedures.

This system uses R410A refrigerant. If sealed system work is required, use approved equipment and follow service procedures. Refer to Service Manual or Installation Instructions for service procedures

Text Codes:

AR - As Required

NA - Not Available

NS - Not Shown

00000000 - See Note

QTY - Quantity Example (QTY 3) (If Quantity not shown, Quantity = 1)

M - Model Example (M1) (If M Code not shown, then part is used on all Models)

Expanded Model Nomenclature:

Example M1 - Model#1 M2 - Model#2 M3 - Model#3

Goodman Manufacturing Company, L.P. is not responsible for personal injury or property damage resulting from improper service. Review all service information before beginning repairs.

Warranty service must be performed by an authorized technician, using authorized factory parts. If service is required after the warranty expires, Goodman Manufacturing Company, L.P. also recommends contacting an authorized technician and using authorized factory parts.

Goodman Manufacturing Company, L.P. reserves the right to discontinue, or change at any time, specifications or designs without notice or without incurring obligations.

For assistance within the U.S.A. contact:
Consumer Affairs Department
Goodman Manufacturing Company, L.P.
7401 Security Way
Houston, Texas 77040
877-254-4729-Telephone
713-863-2382-Facsimile

For assistance outside the U.S.A. contact:
International Division
Goodman Manufacturing Company, L.P.
7401 Security Way
Houston, Texas 77040
713-861-2500-Telephone
713-863-2382-Facsimile

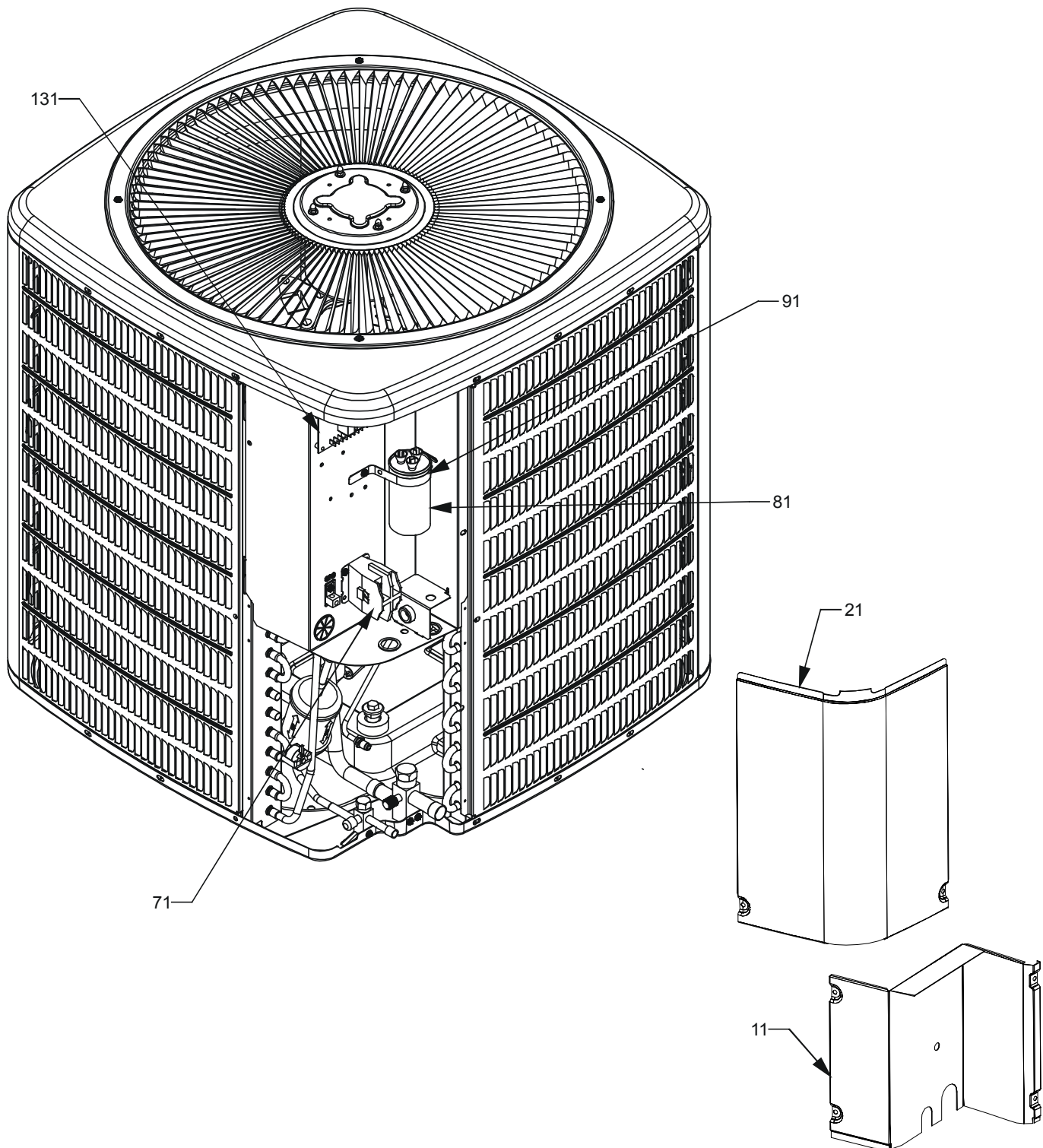
Functional Parts

Part

No: Description:

Part No:	Description:	Part No:	Description:
B12825171	3/8" SERVICE VALVE	0162M00059	FLOWRATOR .049 (M6, M7, M8)
CAP050300440RS	CAPACITOR 5/30/440V (M1, M2, M3)	0162M00068	FLOWRATOR .055 (M11, M12)
CAP050000370VA	CAPACITOR 5/370V (M11, M12, M19, M20, M21, M24, M25)	0162M00070	FLOWRATOR .059 (M16, M17, M18, M19, M20, M21)
CAP050400440RT	CAPACITOR 5/40/440V (M4, M5, M6, M7, M8)	0162M00069	FLOWRATOR .059 (M13, M14, M15)
CAP050450440RT	CAPACITOR 5/45/440V (M9, M10, M13, M14, M15, M16, M17, M18)	0162M00060	FLOWRATOR .065 (M22, M23, M24, M25)
CAP050700440RT	CAPACITOR 5/70 MFD/440V/DUAL RD (M22, M23)	0162M00127	FLOWRATOR-4 W/ 0.043 PISTON (M4, M5)
ZP16K5EPFV130	COMPRESSOR 15500, 208/230/60/1 (M1, M2, M3)	0162M00141	FLOWRATOR-6,.188 ST TUBE 0.055 (M9, M10)
ZP25K5EPFV130	COMPRESSOR 25200, 208/230/60/1 (M6, M7, M8)	0163R00004	HEATER CRANKCASE, 460V, 40W (M21, M25)
ZP31K5EPFV130	COMPRESSOR 31100, 208/230/60/1 (M9, M10)	0163R00003	HEATER, CRANKCASE 230V 40W (M19, M20, M24)
ZP31K5ETF5130	COMPRESSOR 31200, 200/230/60/3 (M11, M12)	0163R00002	HEATER, CRANKCASE 230V, 40W (M11, M12)
ZP36K5EPFV130	COMPRESSOR 36200, 208/230/60/1 (M13, M14, M15)	0163R00006	HEATER, CRANKCASE 230V, 40W (M1, M2, M3, M4, M5, M6, M7, M8, M9, M10)
ZP39K5ETF5130	COMPRESSOR 39000, 200/230/60/3 (M19, M20)	0163R00007	HEATER, CRANKCASE 230V, 40W (M13, M14, M15, M16, M17, M18, M22, M23)
ZP39K5EPFV130	COMPRESSOR 39000, 208/230/60/1 (M16, M17, M18)	20322603	HIGH PRESSURE SWITCH (M11, M21, M24, M25)
ZP51K5EPFV130	COMPRESSOR 51000, 208/230/60/1 (M22, M23)	0130R00000	LOW PRESSURE SWITCH (M11, M21, M24, M25)
ZP51K5ETFD130	COMPRESSOR 51000, 460/60/3 (M25)	0131M00266	MOTOR, 1/8HP, 8PL PSC (M1, M2, M4, M6, M7)
0131M00061	COND MOTOR 1/4 HP, 1 SP, 8 PL (M9, M11, M13, M14, M16, M17, M19, M22, M23, M24)	0131M00294	MOTOR, 1/8HP, ISP, 6P (M3, M5, M8)
CONT1P025024V	CONTACTOR 25 AMP, 1P, 24V (M1, M2, M3, M4, M5, M6, M7, M8, M9, M10, M13, M14, M15)	PCBDM160	PCB, DEFROST CONTROL (M1, M2, M3, M4, M5, M6, M7, M8, M9, M10, M13, M14, M15, M16, M17, M18, M22, M23)
CONT3P025024V	CONTACTOR 25 AMP, 3P, 24V (M11, M12, M19, M20, M21, M24, M25)	B1227314	REVERSING VALVE (M4, M5)
CONT1P030024V	CONTACTOR 30 AMP, 1P, 24V (M16, M17, M18, M22, M23)	0151M00020	REVERSING VALVE (M13, M14, M15, M16, M17, M18, M19, M20, M21, M22, M23, M24, M25)
0130R00045	CRANKCASE HEATER SWITCH (M1, M2, M3, M4, M5, M6, M7, M8, M9, M10, M13, M14, M15, M16, M17, M18, M22, M23)	0151M00019	REVERSING VALVE (M9, M10, M11, M12)
PCBDM130	DEFROST CONTROL BOARD (M11, M12, M19, M20, M21, M24, M25)	0151M00018	REVERSING VALVE (M1, M2, M3, M6, M7, M8)
0150M00018	FAN BLADE 20" (M1, M2)	0130M00089	SW-CUTOOUT HI PRESS (M2, M7, M14, M17, M23)
0150M00012	FAN BLADE 20" CCW (M4, M6, M7)	0130M00088	SW-CUTOOUT LOW PRESS (M1, M3, M4, M5, M6, M8, M9, M10, M13, M15, M16, M18, M22)
0150M00008	FAN BLADE 22" TNT2203-25 (M9, M11, M13, M14)	0151R00032	VALVE, BASE 3/4" OPEN LEFT (M1, M2, M3, M4, M5, M6, M7, M8, M9, M10, M11, M12)
B1086750	FAN BLADE 22", 3 BLADE, 24° (M18, M20)	0151R00033	VALVE, BASE 7/8" OPEN LEFT (M13, M14, M15, M16, M17, M18, M19, M20, M21, M22, M23, M24, M25)
10625738S	FAN BLADE 26" ALUM CCW (M24, M25)	SPECIAL PARTS	
0150M00013	FAN BLADE 26" CCW (M22, M23)	0161R00009P	NAMEPLATE
B1086765	FAN BLADE TYPE 3 (M16, M17, M19, M21)		
0150M00031	FAN BLADE, 20", 3 BLADE, 21DEG (M3)		
0150M00033	FAN BLADE, 20", 3 BLADE, 24DEG (M5, M8)		
0150M00022	FAN BLADE, 22" (M10, M12, M15)		
0162M00057	FLOWRATOR .039 (M1, M2, M3)		

Control Cover / Control Box



Control Cover / Control Box

Ref. Part

No: No:

Description:

Ref. Part

No: No:

Description:

Image 1:

11	0272R00636PDG	PANEL, CONTROL C/HP PNT (M11, M12, M19, M20, M21, M24, M25)
11	0121R00318PDG	PANEL, LOWER ACCESS PNT (M11, M12, M13, M14, M15)
11	0121R00321PDG	PANEL, LOWER ACCESS PNT (M16, M17, M18, M19, M20, M21, M22, M23, M24, M25)
11	0121R00322PDG	PANEL, LOWER ACCESS PNT (M4, M5, M9, M10)
11	0121R00323PDG	PANEL, LOWER ACCESS PNT (M1, M2, M3, M6, M7, M8)
71	CONT1P025024V	CONTACTOR 25 AMP, 1P, 24V (M1, M2, M3, M4, M5, M6, M7, M8, M9, M10, M13, M14, M15)
71	CONT3P025024V	CONTACTOR 25 AMP, 3P, 24V (M11, M12, M19, M20, M21, M24, M25)
71	CONT1P030024V	CONTACTOR 30 AMP, 1P, 24V (M16, M17, M18, M22, M23)
81	CAP050300440RS	CAPACITOR 5/30/440V (M1, M2, M3)
81	CAP050000370VA	CAPACITOR 5/370V (M11, M12, M19, M20, M21, M24, M25)
81	CAP050400440RT	CAPACITOR 5/40/440V (M4, M5, M6, M7, M8)
81	CAP050450440RT	CAPACITOR 5/45/440V (M9, M10, M13, M14, M15, M16, M17, M18)
81	CAP050700440RT	CAPACITOR 5/70 MFD/440V/DUAL RD (M22, M23)
91	4400065	CAPACITOR STRAP
131	PCBDM130	DEFROST CONTROL BOARD (M11, M12, M19, M20, M21, M24, M25)
131	PCBDM160	PCB, DEFROST CONTROL (M1, M2, M3, M4, M5, M6, M7, M8, M9, M10, M13, M14, M15, M16, M17, M18, M22, M23)
NS	0161R00009P	NAMEPLATE

Expanded Model Nomenclature

M1 - GSZ130181AC
M2 - GSZ130181AD
M3 - GSZ130181AE
M4 - GSZ130241BB
M5 - GSZ130241BC
M6 - GSZ130301AD
M7 - GSZ130301AE
M8 - GSZ130301AF
M9 - GSZ130361BB
M10 - GSZ130361BC
M11 - GSZ130363AB
M12 - GSZ130363AC
M13 - GSZ130421AC
M14 - GSZ130421AD
M15 - GSZ130421AE
M16 - GSZ130481AC
M17 - GSZ130481AD
M18 - GSZ130481AE
M19 - GSZ130483AB
M20 - GSZ130483AC
M21 - GSZ130484AB
M22 - GSZ130601AC
M23 - GSZ130601AD
M24 - GSZ130603AB
M25 - GSZ130604AB

Compressor / Tubing Assembly

Image 1

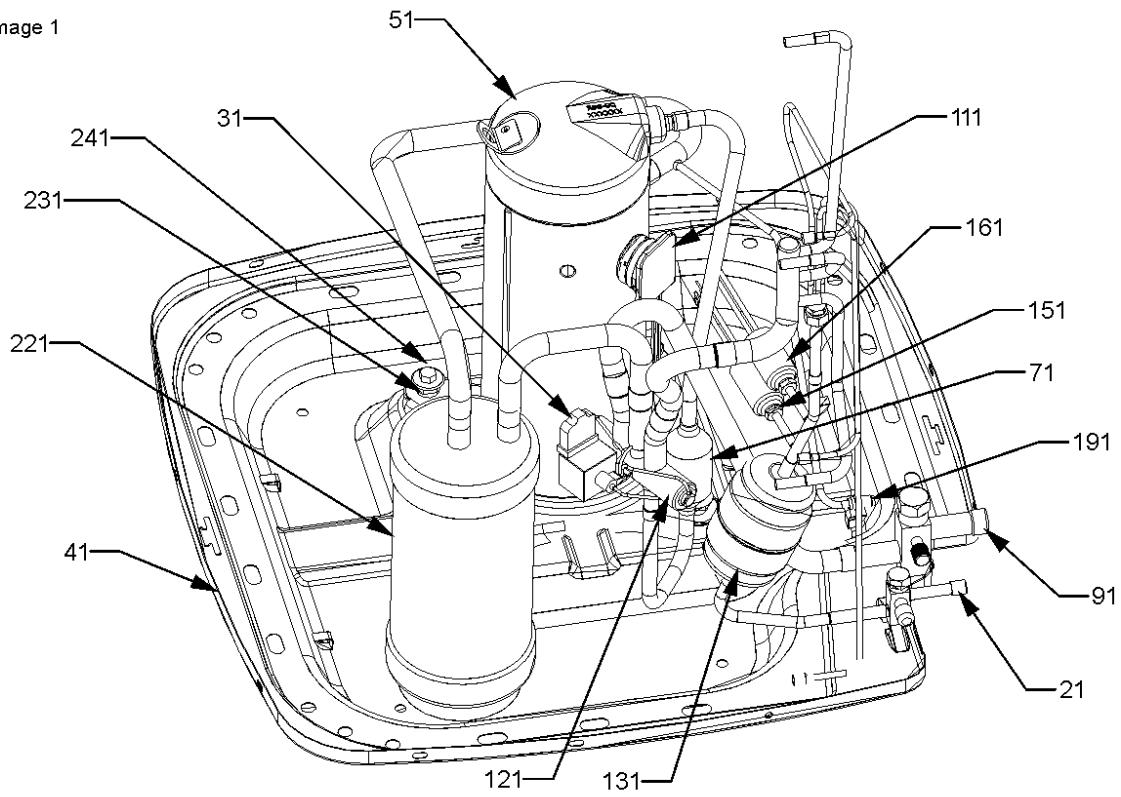
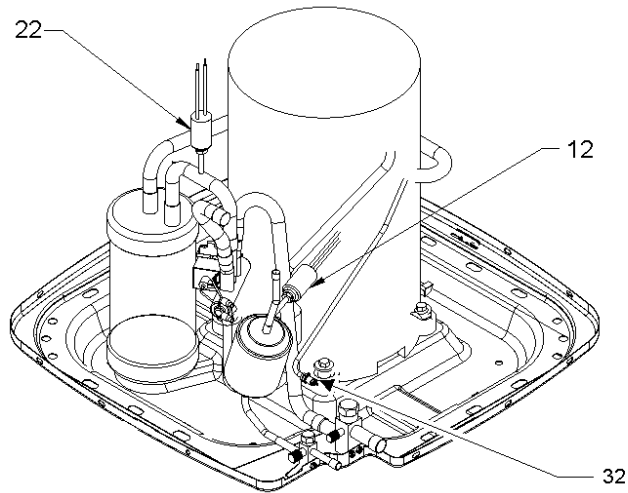


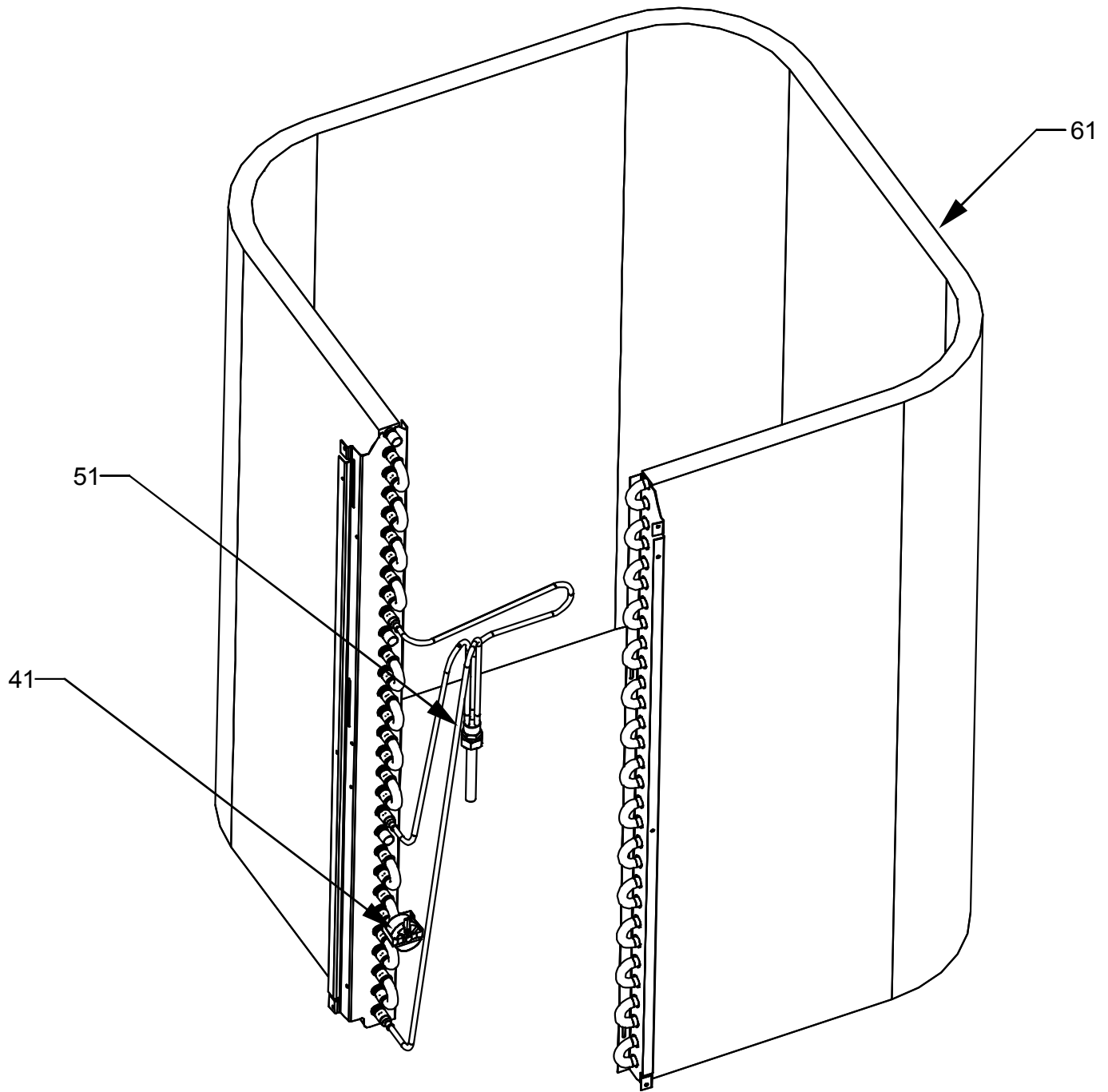
Image 2



Compressor / Tubing Assembly

Ref. Part No: No:	Description:	Ref. Part No: No:	Description:																											
<i>Image 1:</i>		<i>Image 1:</i>																												
11	B12825171	3/8" SERVICE VALVE	221	B1226207	ACCUMULATOR .875 (M13, M14, M15, M16, M17, M18, M19, M20, M21, M22, M23, M24, M25)																									
21	0151M00018	REVERSING VALVE (M1, M2, M3, M6, M7, M8)	231	B1339533	COMPRESSOR GROMMET (QTY 4)																									
21	0151M00019	REVERSING VALVE (M9, M10, M11, M12)	241	M0221641	TF SHOULDER SCREW (QTY 4)																									
21	0151M00020	REVERSING VALVE (M13, M14, M15, M16, M17, M18, M19, M20, M21, M22, M23, M24, M25)	NS	20270812	COMPENSATOR (M9, M10)																									
31	B1225020	SOLENOID COIL CORD W/1/4"TERMINAL	NS	20270815	COMPENSATOR (M4, M5)																									
41	0121R00005PDG	BASE PAN 26" (M1, M2, M3, M4, M5, M6, M7, M8)	NS	0163R00004	HEATER CRANKCASE, 460V, 40W (M21, M25)																									
41	0121R00006PDG	BASE PAN 29" (M9, M10, M11, M12, M13, M14, M15, M16, M17, M18, M19, M20, M21)	NS	0163R00003	HEATER, CRANKCASE 230V 40W (M19, M20, M24)																									
41	0121R00007PDG	BASE PAN 35" (M22, M23, M24, M25)	NS	0163R00002	HEATER, CRANKCASE 230V, 40W (M11, M12)																									
51	ZP16K5EPFV130	COMPRESSOR 15500, 208/230/60/1 (M1, M2, M3)	NS	0163R00006	HEATER, CRANKCASE 230V, 40W (M1, M2, M3, M4, M5, M6, M7, M8, M9, M10)																									
51	ZP25K5EPFV130	COMPRESSOR 25200, 208/230/60/1 (M6, M7, M8)	NS	0163R00007	HEATER, CRANKCASE 230V, 40W (M13, M14, M15, M16, M17, M18, M22, M23)																									
51	ZP31K5EPFV130	COMPRESSOR 31100, 208/230/60/1 (M9, M10)	<i>Image 2:</i>																											
51	ZP31K5ETF5130	COMPRESSOR 31200, 200/230/60/3 (M11, M12)	12	20322603	HIGH PRESSURE SWITCH (M11, M21, M24, M25)																									
51	ZP36K5EPFV130	COMPRESSOR 36200, 208/230/60/1 (M13, M14, M15)	12	0130M00089	SW-CUTOUT HI PRESS (M2, M7, M14, M17, M23)																									
51	ZP39K5ETF5130	COMPRESSOR 39000, 200/230/60/3 (M19, M20)	22	0130R00000	LOW PRESSURE SWITCH (M11, M21, M24, M25)																									
51	ZP39K5EPFV130	COMPRESSOR 39000, 208/230/60/1 (M16, M17, M18)	22	0130M00088	SW-CUTOUT LOW PRESS (M2, M7, M14, M17, M23)																									
51	ZP51K5EPFV130	COMPRESSOR 51000, 208/230/60/1 (M22, M23)	32	B1787000	VALVE CORE (M2, M7, M11, M14, M17, M21, M23, M24, M25)																									
51	ZP51K5ETFD130	COMPRESSOR 51000, 460/60/3 (M25)	Expanded Model Nomenclature																											
51	B1227314	REVERSING VALVE (M4, M5)	<table border="1"> <tr><td>M1 - GSZ130181AC</td></tr> <tr><td>M2 - GSZ130181AD</td></tr> <tr><td>M3 - GSZ130181AE</td></tr> <tr><td>M4 - GSZ130241BB</td></tr> <tr><td>M5 - GSZ130241BC</td></tr> <tr><td>M6 - GSZ130301AD</td></tr> <tr><td>M7 - GSZ130301AE</td></tr> <tr><td>M8 - GSZ130301AF</td></tr> <tr><td>M9 - GSZ130361BB</td></tr> <tr><td>M10 - GSZ130361BC</td></tr> <tr><td>M11 - GSZ130363AB</td></tr> <tr><td>M12 - GSZ130363AC</td></tr> <tr><td>M13 - GSZ130421AC</td></tr> <tr><td>M14 - GSZ130421AD</td></tr> <tr><td>M15 - GSZ130421AE</td></tr> <tr><td>M16 - GSZ130481AC</td></tr> <tr><td>M17 - GSZ130481AD</td></tr> <tr><td>M18 - GSZ130481AE</td></tr> <tr><td>M19 - GSZ130483AB</td></tr> <tr><td>M20 - GSZ130483AC</td></tr> <tr><td>M21 - GSZ130484AB</td></tr> <tr><td>M22 - GSZ130601AC</td></tr> <tr><td>M23 - GSZ130601AD</td></tr> <tr><td>M24 - GSZ130603AB</td></tr> <tr><td>M25 - GSZ130604AB</td></tr> </table>			M1 - GSZ130181AC	M2 - GSZ130181AD	M3 - GSZ130181AE	M4 - GSZ130241BB	M5 - GSZ130241BC	M6 - GSZ130301AD	M7 - GSZ130301AE	M8 - GSZ130301AF	M9 - GSZ130361BB	M10 - GSZ130361BC	M11 - GSZ130363AB	M12 - GSZ130363AC	M13 - GSZ130421AC	M14 - GSZ130421AD	M15 - GSZ130421AE	M16 - GSZ130481AC	M17 - GSZ130481AD	M18 - GSZ130481AE	M19 - GSZ130483AB	M20 - GSZ130483AC	M21 - GSZ130484AB	M22 - GSZ130601AC	M23 - GSZ130601AD	M24 - GSZ130603AB	M25 - GSZ130604AB
M1 - GSZ130181AC																														
M2 - GSZ130181AD																														
M3 - GSZ130181AE																														
M4 - GSZ130241BB																														
M5 - GSZ130241BC																														
M6 - GSZ130301AD																														
M7 - GSZ130301AE																														
M8 - GSZ130301AF																														
M9 - GSZ130361BB																														
M10 - GSZ130361BC																														
M11 - GSZ130363AB																														
M12 - GSZ130363AC																														
M13 - GSZ130421AC																														
M14 - GSZ130421AD																														
M15 - GSZ130421AE																														
M16 - GSZ130481AC																														
M17 - GSZ130481AD																														
M18 - GSZ130481AE																														
M19 - GSZ130483AB																														
M20 - GSZ130483AC																														
M21 - GSZ130484AB																														
M22 - GSZ130601AC																														
M23 - GSZ130601AD																														
M24 - GSZ130603AB																														
M25 - GSZ130604AB																														
71	B1219301	MUFFLER 1/2 X 1/2																												
91	0151R00032	VALVE, BASE 3/4" OPEN LEFT (M1, M2, M3, M4, M5, M6, M7, M8, M9, M10, M11, M12)																												
91	0151R00033	VALVE, BASE 7/8" OPEN LEFT (M13, M14, M15, M16, M17, M18, M19, M20, M21, M22, M23, M24, M25)																												
111	0159R00000P	COMPRESSOR SCROLL HARNESS (M1, M2, M3, M4, M5, M6, M7, M8)																												
111	0159R00002P	COMPRESSOR SCROLL HARNESS (M22, M23)																												
111	0159R00002P	COMPRESSOR SCROLL HARNESS (M9, M10, M13, M14, M15, M16, M17, M18)																												
111	0159R00008	HARNESS, COMP (M11, M12, M19, M20, M21)																												
111	0159R00009	HARNESS, COMP (M24, M25)																												
131	20485201	BI-FLOW FILTER DRIER (M1, M2, M3, M6, M7, M8, M11, M12, M13, M14, M15, M16, M17, M18, M19, M20, M21, M22, M23, M24, M25)																												
131	20485201	BI-FLOW FILTER DRIER (M4, M5, M9, M10)																												
151	0130R00000	LOW PRESSURE SWITCH (M12, M19, M20)																												
151	0130M00088	SW-CUTOUT LOW PRESS (M1, M3, M4, M5, M6, M8, M9, M10, M13, M15, M16, M18, M22)																												
161	20322603	HIGH PRESSURE SWITCH (M12, M19, M20)																												
161	0130M00089	SW-CUTOUT HI PRESS (M1, M3, M4, M5, M6, M8, M9, M10, M13, M15, M16, M18, M22)																												
191	B1787000	VALVE CORE (M1, M3, M4, M5, M6, M8, M9, M10, M12, M13, M15, M16, M18, M19, M20, M22)																												
221	B1226206	ACCUMULATOR (M1, M2, M3, M4, M5, M6, M7, M8, M11, M12)																												
221	0151R00004P	ACCUMULATOR .750 (M9, M10)																												

Condenser



Condenser

**Ref. Part
No: No:**

Description:

**Ref. Part
No: No:**

Description:

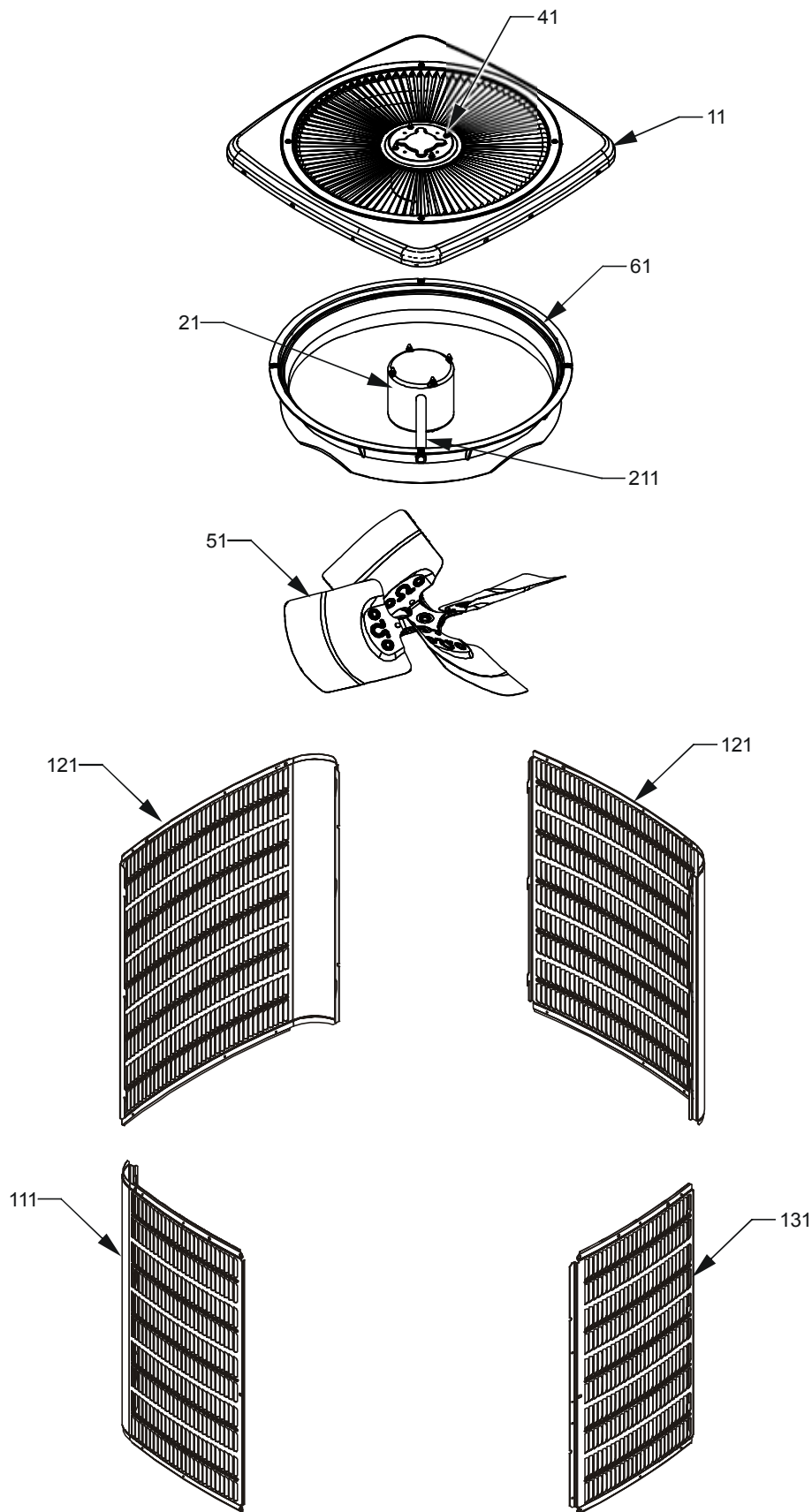
Image 1:

41	0130M00098	CONTROL, DEFROST (M4, M5, M9, M10)
41	0130M00105	CONTROL, DEFROST (M1, M2, M3, M6, M7, M8, M11, M12, M13, M14, M15, M16, M17, M18, M19, M20, M21, M22, M23, M24, M25)
51	0162M00057	FLOWRATOR .039 (M1, M2, M3)
51	0162M00059	FLOWRATOR .049 (M6, M7, M8)
51	0162M00068	FLOWRATOR .055 (M11, M12)
51	0162M00069	FLOWRATOR .059 (M13, M14, M15)
51	0162M00070	FLOWRATOR .059 (M16, M17, M18, M19, M20, M21)
51	0162M00060	FLOWRATOR .065 (M22, M23, M24, M25)
51	0162M00127	FLOWRATOR-4 W/ 0.043 PISTON (M4, M5)
51	0162M00141	FLOWRATOR-6, .188 ST TUBE 0.055 (M9, M10)
61	0201R00150	TUBING ASSY, COND COIL (M1, M2, M3)
61	0201R00151	TUBING ASSY, COND COIL (M11, M12)
61	0201R00152	TUBING ASSY, COND COIL (M13, M14, M15)
61	0201R00154	TUBING ASSY, COND COIL (M16, M17, M18, M19, M20, M21)
61	0201R00155	TUBING ASSY, COND COIL (M22, M23, M24, M25)
61	0201R00285	TUBING ASSY, COND COIL (M9, M10)
61	0201R00317	TUBING ASSY, COND COIL (M4, M5)
61	0201R00325	TUBING ASSY, COND COIL (M6, M7, M8)
NS	0130R00045	CRANKCASE HEATER SWITCH (M1, M2, M3, M4, M5, M6, M7, M8, M9, M10, M13, M14, M15, M16, M17, M18, M22, M23)
NS	B1789849	FLOW CHECK PISTON KIT .049 (M1, M2, M3)
NS	B1789857	FLOW CHECK PISTON KIT .057 (M4, M5)
NS	B1789863	FLOW CHECK PISTON KIT .063 (M6, M7, M8)
NS	B1789868	FLOW CHECK PISTON KIT .068 (M11, M12)
NS	B1789870	FLOW CHECK PISTON KIT .070 (M9, M10)
NS	B1789874	FLOW CHECK PISTON KIT .074 (M13, M14, M15)
NS	B1789878	FLOW CHECK PISTON KIT .078 (M16, M17, M18, M19, M20, M21)
NS	B1789888	FLOW CHECK PISTON KIT .088 (M22, M23, M24, M25)

Expanded Model Nomenclature

M1 - GSZ130181AC
M2 - GSZ130181AD
M3 - GSZ130181AE
M4 - GSZ130241BB
M5 - GSZ130241BC
M6 - GSZ130301AD
M7 - GSZ130301AE
M8 - GSZ130301AF
M9 - GSZ130361BB
M10 - GSZ130361BC
M11 - GSZ130363AB
M12 - GSZ130363AC
M13 - GSZ130421AC
M14 - GSZ130421AD
M15 - GSZ130421AE
M16 - GSZ130481AC
M17 - GSZ130481AD
M18 - GSZ130481AE
M19 - GSZ130483AB
M20 - GSZ130483AC
M21 - GSZ130484AB
M22 - GSZ130601AC
M23 - GSZ130601AD
M24 - GSZ130603AB
M25 - GSZ130604AB

Cabinet Top / Side Panels



Cabinet Top / Side Panels

Ref. Part No:	No:	Description:	Ref. Part No:	No:	Description:																									
<i>Image 1:</i>			<i>Image 1:</i>																											
11	0121R00008PDG	TOP PANEL 26" (M1, M2, M3, M4, M5, M6, M7, M8)	131	0121R00050PDG	LOUVERED SIDE PANEL [RT OF CNTL PNL] (M22, M23, M24, M25)																									
11	0121R00010PDG	TOP PANEL 29" (M9, M10, M11, M12, M13, M14, M15, M16, M17, M18, M19, M20, M21)	131	0121R00173PDG	LOUVERED SIDE PANEL [RT OF CNTL PNL] (M4, M5)																									
11	0121R00269PDG	Top Panel, 35" Pnt (M22, M23, M24, M25)	NS	0161R00001P	CONDUIT (M1, M2, M3, M4, M5, M6, M7, M8)																									
21	0131M00018P	COND MOTOR 1/4 HP, 1 SP, 6 PL (M10, M12, M15, M18, M20)	NS	0161R00002P	CONDUIT (M9, M10, M11, M12, M13, M14, M15, M16, M17, M18, M19, M20, M21)																									
21	0131M00061	COND MOTOR 1/4 HP, 1 SP, 8 PL (M9, M11, M13, M14, M16, M17, M19, M22, M23, M24)	NS	0161R00004P	CONDUIT (M22, M23, M24, M25)																									
21	0131M00022	MOTOR 1/4 HP, 8 PL, 460V (M21, M25)	Expanded Model Nomenclature																											
21	0131M00266	MOTOR, 1/8HP, 8PL PSC (M1, M2, M4, M6, M7)	<table border="1"> <tr><td>M1 - GSZ130181AC</td></tr> <tr><td>M2 - GSZ130181AD</td></tr> <tr><td>M3 - GSZ130181AE</td></tr> <tr><td>M4 - GSZ130241BB</td></tr> <tr><td>M5 - GSZ130241BC</td></tr> <tr><td>M6 - GSZ130301AD</td></tr> <tr><td>M7 - GSZ130301AE</td></tr> <tr><td>M8 - GSZ130301AF</td></tr> <tr><td>M9 - GSZ130361BB</td></tr> <tr><td>M10 - GSZ130361BC</td></tr> <tr><td>M11 - GSZ130363AB</td></tr> <tr><td>M12 - GSZ130363AC</td></tr> <tr><td>M13 - GSZ130421AC</td></tr> <tr><td>M14 - GSZ130421AD</td></tr> <tr><td>M15 - GSZ130421AE</td></tr> <tr><td>M16 - GSZ130481AC</td></tr> <tr><td>M17 - GSZ130481AD</td></tr> <tr><td>M18 - GSZ130481AE</td></tr> <tr><td>M19 - GSZ130483AB</td></tr> <tr><td>M20 - GSZ130483AC</td></tr> <tr><td>M21 - GSZ130484AB</td></tr> <tr><td>M22 - GSZ130601AC</td></tr> <tr><td>M23 - GSZ130601AD</td></tr> <tr><td>M24 - GSZ130603AB</td></tr> <tr><td>M25 - GSZ130604AB</td></tr> </table>			M1 - GSZ130181AC	M2 - GSZ130181AD	M3 - GSZ130181AE	M4 - GSZ130241BB	M5 - GSZ130241BC	M6 - GSZ130301AD	M7 - GSZ130301AE	M8 - GSZ130301AF	M9 - GSZ130361BB	M10 - GSZ130361BC	M11 - GSZ130363AB	M12 - GSZ130363AC	M13 - GSZ130421AC	M14 - GSZ130421AD	M15 - GSZ130421AE	M16 - GSZ130481AC	M17 - GSZ130481AD	M18 - GSZ130481AE	M19 - GSZ130483AB	M20 - GSZ130483AC	M21 - GSZ130484AB	M22 - GSZ130601AC	M23 - GSZ130601AD	M24 - GSZ130603AB	M25 - GSZ130604AB
M1 - GSZ130181AC																														
M2 - GSZ130181AD																														
M3 - GSZ130181AE																														
M4 - GSZ130241BB																														
M5 - GSZ130241BC																														
M6 - GSZ130301AD																														
M7 - GSZ130301AE																														
M8 - GSZ130301AF																														
M9 - GSZ130361BB																														
M10 - GSZ130361BC																														
M11 - GSZ130363AB																														
M12 - GSZ130363AC																														
M13 - GSZ130421AC																														
M14 - GSZ130421AD																														
M15 - GSZ130421AE																														
M16 - GSZ130481AC																														
M17 - GSZ130481AD																														
M18 - GSZ130481AE																														
M19 - GSZ130483AB																														
M20 - GSZ130483AC																														
M21 - GSZ130484AB																														
M22 - GSZ130601AC																														
M23 - GSZ130601AD																														
M24 - GSZ130603AB																														
M25 - GSZ130604AB																														
21	0131M00294	MOTOR, 1/8HP, ISP, 6P (M3, M5, M8)																												
41	0163M00006P	ACORN NUT 5/16 HEX BLACK (QTY 4)																												
51	0150M00018	FAN BLADE 20" (M1, M2)																												
51	0150M00012	FAN BLADE 20" CCW (M4, M6, M7)																												
51	0150M00008	FAN BLADE 22" TNT2203-25 (M9, M11, M13, M14)																												
51	B1086750	FAN BLADE 22", 3 BLADE, 24° (M18, M20)																												
51	10625738S	FAN BLADE 26" ALUM CCW (M24, M25)																												
51	0150M00013	FAN BLADE 26" CCW (M22, M23)																												
51	B1086765	FAN BLADE TYPE 3 (M16, M17, M19, M21)																												
51	0150M00031	FAN BLADE, 20", 3 BLADE, 21DEG (M3)																												
51	0150M00033	FAN BLADE, 20", 3 BLADE, 24DEG (M5, M8)																												
51	0150M00022	FAN BLADE, 22" (M10, M12, M15)																												
61	0161L00000	VENTURI RING 22" (M9, M10, M11, M12, M13, M14, M15, M16, M17, M18, M19, M20, M21)																												
61	0161R00007P	VENTURI RING 35" (M22, M23, M24, M25)																												
111	0121R00015PDGB	LOUVERED SIDE PANEL [LT OF CNTL PNL] (M1, M2, M3, M6, M7, M8)																												
111	0121R00025PDGB	LOUVERED SIDE PANEL [LT OF CNTL PNL] (M16, M17, M18, M19, M20, M21)																												
111	0121R00042PDGB	LOUVERED SIDE PANEL [LT OF CNTL PNL] (M22, M23, M24, M25)																												
111	0121R00125PDGB	LOUVERED SIDE PANEL [LT OF CNTL PNL] (M9, M10)																												
111	0121R00171PDGB	LOUVERED SIDE PANEL [LT OF CNTL PNL] (M4, M5)																												
121	0121R00018PDGB	LOUVERED SIDE PANEL (M1, M2, M3, M6, M7, M8)																												
121	0121R00031PDGB	LOUVERED SIDE PANEL (M16, M17, M18, M19, M20, M21)																												
121	0121R00033PDGB	LOUVERED SIDE PANEL (M11, M12, M13, M14, M15)																												
121	0121R00046PDGB	LOUVERED SIDE PANEL (M22, M23, M24, M25)																												
121	0121R00132PDGB	LOUVERED SIDE PANEL (M9, M10)																												
121	0121R00172PDGB	LOUVERED SIDE PANEL (M4, M5)																												
131	0121R00021PDG	LOUVERED SIDE PANEL [RT OF CNTL PNL] (M1, M2, M3, M6, M7, M8)																												
131	0121R00139PDG	LOUVERED SIDE PANEL [RT OF CNTL PNL] (M9, M10)																												
131	0121R00037PDG	LOUVERED SIDE PANEL [RT OF CNTL PNL] (M16, M17, M18, M19, M20, M21)																												
131	0121R00039PDG	LOUVERED SIDE PANEL [RT OF CNTL PNL] (M11, M12, M13, M14, M15)																												