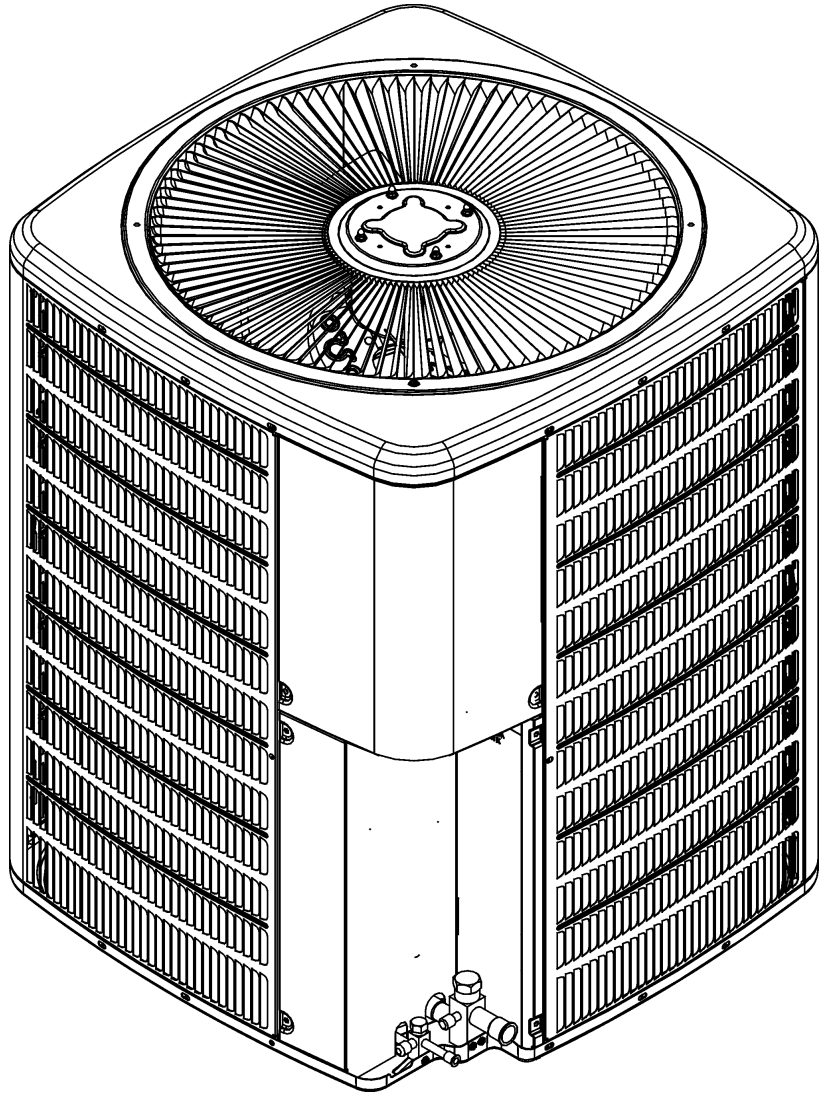


## GSX14 Remote Air Conditioning Unit

GSX140181KA  
GSX140191KA  
GSX140241KA  
GSX140251KA  
GSX140301KA  
GSX140311KA  
GSX140361KA  
GSX140371KA  
GSX140421KA  
GSX140481KA  
GSX140601KA



This manual is to be used by qualified technicians only.

# Important Information

---

## Index

Functional Parts List .....	3
Illustration and Parts .....	4 - 9

*Views shown are for parts illustrations only, not servicing procedures*

Introduction of 14 SEER models with 5mm coils and scroll compressor.

### Text Codes:

AR - As Required

NA - Not Available

NS - Not Shown

00000000 - See Note

QTY - Quantity Example (QTY 3) (If Quantity not shown, Quantity = 1)

M - Model Example (M1) (If M Code not shown, then part is used on all Models)

### Expanded Model Nomenclature:

Example M1 - Model#1 M2 - Model#2 M3 - Model#3
---

Goodman Manufacturing Company, L.P. is not responsible for personal injury or property damage resulting from improper service. Review all service information before beginning repairs.

Warranty service must be performed by an authorized technician, using authorized factory parts. If service is required after the warranty expires, Goodman Manufacturing Company, L.P. also recommends contacting an authorized technician and using authorized factory parts.

Goodman Manufacturing Company, L.P. reserves the right to discontinue, or change at any time, specifications or designs without notice or without incurring obligations.

For assistance within the U.S.A. contact:  
Consumer Affairs Department  
Goodman Manufacturing Company, L.P.  
7401 Security Way  
Houston, Texas 77040  
877-254-4729-Telephone  
713-863-2382-Facsimile

For assistance outside the U.S.A. contact:  
International Division  
Goodman Manufacturing Company, L.P.  
7401 Security Way  
Houston, Texas 77040  
713-861-2500-Telephone  
713-863-2382-Facsimile

# Functional Parts

## Part

## No: Description:

---

B12825171	3/8" SERVICE VALVE
CAP050300440RS	CAPACITOR 5/30/370V (M1, M2)
CAP050350440CS	CAPACITOR 5/35/440V (M3, M4)
CAP050400440CT	CAPACITOR 5/40/440V/DUAL RD (M5, M6)
CAP050450440CT	CAPACITOR 5/45/440V/DUAL RD (M7, M8, M9, M10)
CAP050700440CT	CAPACITOR 5/70/440V/DUAL RD (M11)
ZP14K6EPFV130	COMP, 14,000,208/230/60/1 (M2)
ZP20K6EPFV130	COMP, 20,000,208/230/60/1 (M3, M4)
ZP24K6EPFV130	COMP, 24,000,208/230/60/1 (M6)
ZP29K6EPFV130	COMP, 29,000,208/230/60/1 (M8)
ZP16K5EPFV130	COMP, 15500,208/230/60/1 (M1)
ZP24K5EPFV130	COMP, 24000,208/230/60/1 (M5)
ZP29K5EPFV130	COMP, 29000,208/230/60/1 (M7)
ZP49K5EPFV130	COMP, 49400,208/230/60/1 (M11)
ZP31K5EPFV130	COMPRESSOR 31100, 208/230/60/1 (M9)
ZP38K5EPFV130	COMPRESSOR 37500, 208/230/60/1 (M10)
0131M00061	COND MOTOR 1/4 HP, 1 SP, 8 PL (M10, M11)
0131M00060	COND MOTOR 1/6 HP, 1 SP, 8 PL (M5, M6, M7, M8, M9)
0131M00266	COND MOTOR PSC1/8 HP 8 PL (M1, M2, M4)
0131M00019P	COND MOTOR, 1/12HP, 1SP, 8PL (M3)
CONT1P025024V	CONTACTOR 25 AMP, 1P, 24V (M1, M2, M3, M4, M5, M6, M7, M8, M9)
CONT1P030024V	CONTACTOR 30 AMP, 1P, 24V (M10, M11)
0150M00012	FAN BLADE 20" CCW (M1, M2, M3, M4)
0150M00008	FAN BLADE 22" TNT2203-25 (M6, M7, M8)
10625738	FAN BLADE 26" ALUM CCW (M10, M11)
B1086764S	FAN BLADE TYPE 2 (M5, M9)
0151R00032	VALVE, BASE 3/4" OPEN LEFT (M1, M2, M3, M4, M5, M6, M7, M8)
0151R00033	VALVE, SERVICE 7/8" OPEN LEFT (M9, M10, M11)

## SPECIAL PARTS

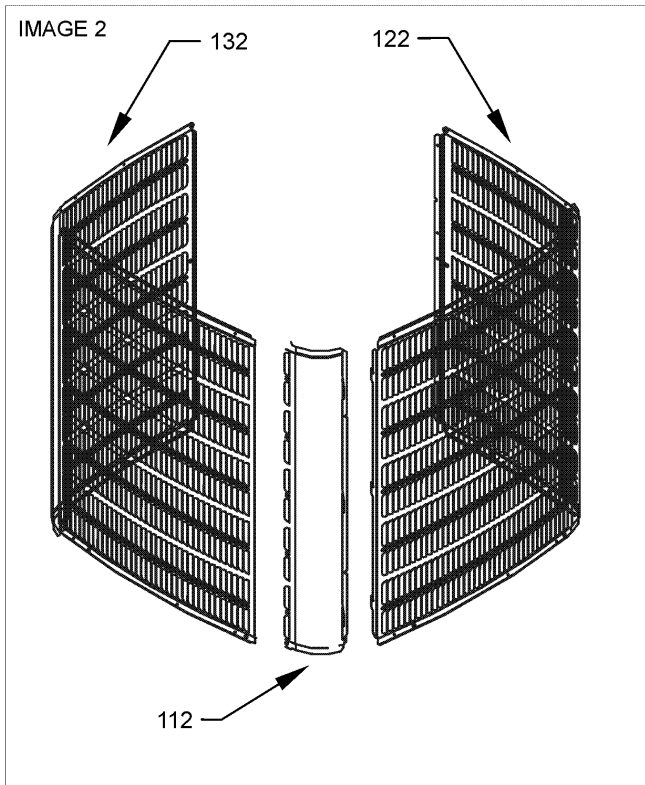
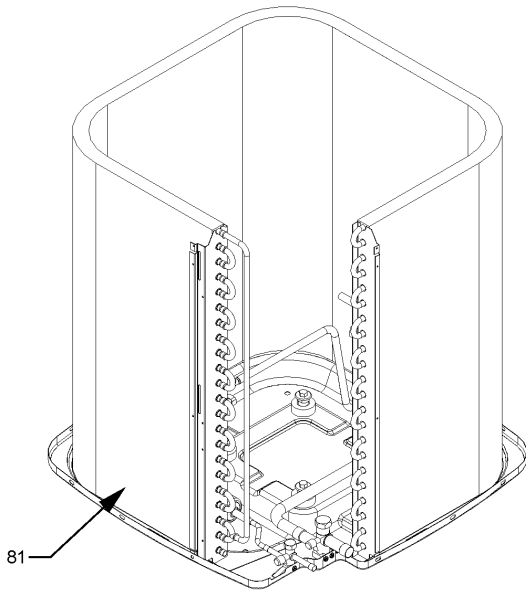
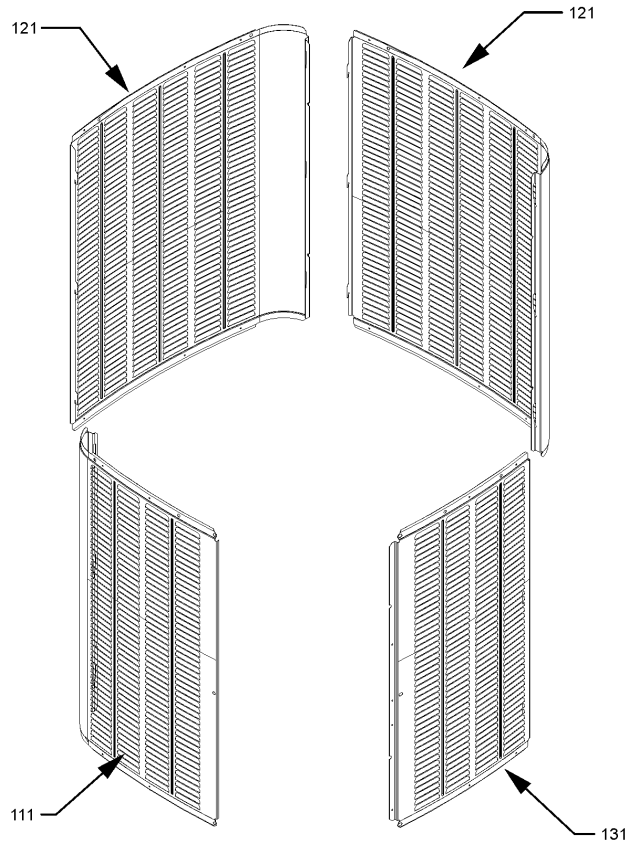
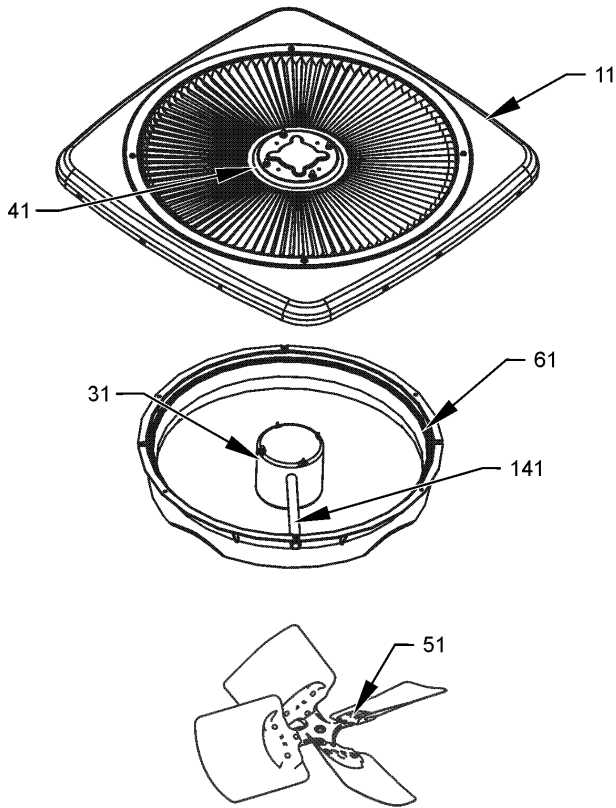
0161R00009P NAMEPLATE

## Expanded Model Nomenclature

M1 - GSX140181KA
M2 - GSX140191KA
M3 - GSX140241KA
M4 - GSX140251KA
M5 - GSX140301KA
M6 - GSX140311KA
M7 - GSX140361KA
M8 - GSX140371KA
M9 - GSX140421KA
M10 - GSX140481KA
M11 - GSX140601KA

# Cabinet Top & Side Panels

IMAGE 1



# Cabinet Top & Side Panels

**Ref. Part  
No: No:**

**Description:**

**Ref. Part  
No: No:**

**Description:**

**Image 1:**

11	0121R00008PDG	TOP PANEL 26" (M1, M2, M3, M4)
11	0121R00010PDG	TOP PANEL 29" (M5, M6, M7, M8, M9)
11	0121R00269PDG	TOP PANEL, 35" PNT (M10, M11)
31	0131M00061	COND MOTOR 1/4 HP, 1 SP, 8 PL (M10, M11)
31	0131M00060	COND MOTOR 1/6 HP, 1 SP, 8 PL (M5, M6, M7, M8, M9)
31	0131M00266	COND MOTOR PSC1/8 HP 8 PL (M1, M2, M4)
31	0131M00019P	COND MOTOR, 1/12HP, 1SP, 8PL (M3)
41	0163M00006P	ACORN NUT 5/16 HEX BLACK (QTY 4)
51	0150M00012	FAN BLADE 20" CCW (M1, M2, M3, M4)
51	0150M00008	FAN BLADE 22" TNT2203-25 (M6, M7, M8)
51	10625738	FAN BLADE 26" ALUM CCW (M10, M11)
51	B1086764S	FAN BLADE TYPE 2 (M5, M9)
61	0161L00000	VENTURI RING 22" (M6, M8, M9)
61	0161R00007P	VENTURI RING 35" (M10)
81	0201R00230	TUBING ASSY, COND COIL (M5)
81	0201R00242S	TUBING ASSY, COND COIL (M7)
81	0201R00296	TUBING ASSY, COND COIL (M6, M8)
81	0201R00385	TUBING ASSY, COND COIL (M10)
81	0201R00433	TUBING ASSY, COND COIL (M11)
81	0201R00458	TUBING ASSY, COND COIL (M1, M2, M3, M4)
81	0201R00566	TUBING ASSY, COND COIL (M9)
111	0121R00228PDGB	LOUVERED SIDE PANEL [LT OF CNTL PNL] (M10)
111	0121R00229PDGB	LOUVERED SIDE PANEL [LT OF CNTL PNL] (M11)
121	0121R00231PDGB	LOUVERED SIDE PANEL (M10)
121	0121R00232PDGB	LOUVERED SIDE PANEL (M11)
131	0121R00234PDG	LOUVERED SIDE PANEL [RT OF CNTL PNL] (M10)
131	0121R00235PDG	LOUVERED SIDE PANEL [RT OF CNTL PNL] (M11)
141	0161R00001P	CONDUIT (M1, M2, M3, M4)
141	0161R00002P	CONDUIT (M6, M8, M9)
141	0161R00003P	CONDUIT (M5, M7)
141	0161R00004P	CONDUIT (M10)
141	0161R00005P	CONDUIT (M11)
NS	0161R00009P	NAMEPLATE
NS	0163M00005P	WASHER, BLACK (.50 OD .218ID) (QTY 4)

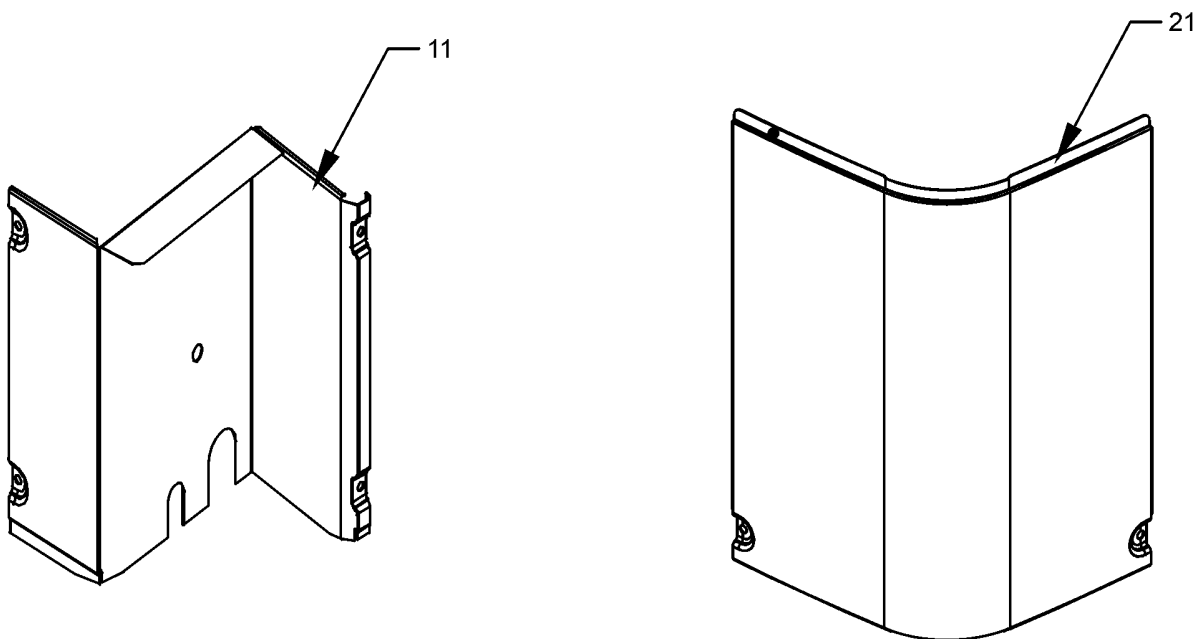
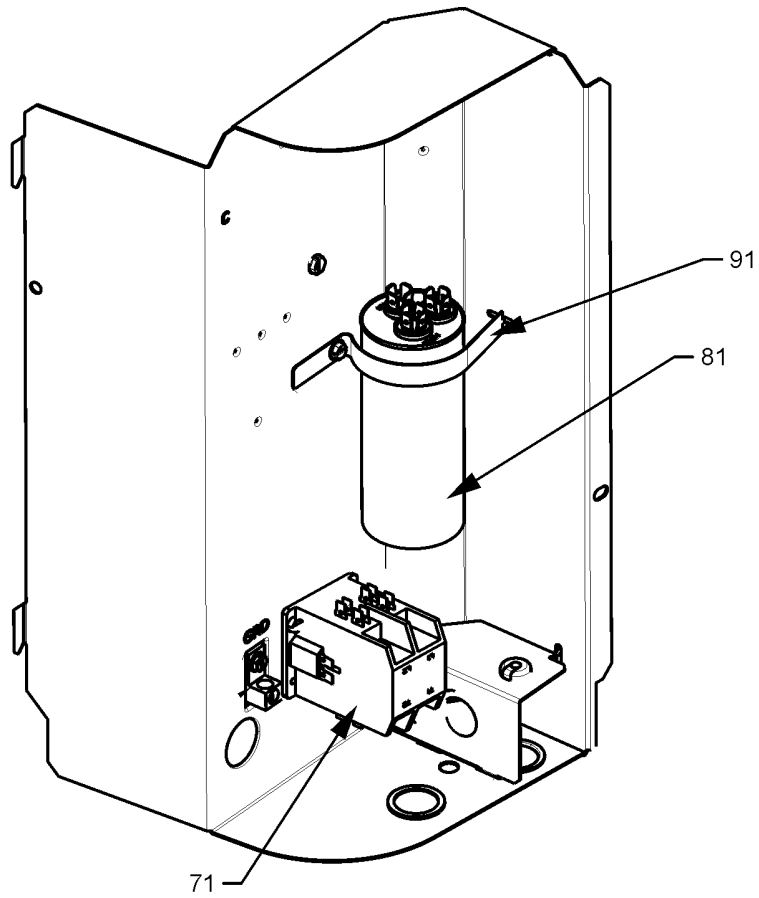
**Expanded Model Nomenclature**

M1 - GSX140181KA
M2 - GSX140191KA
M3 - GSX140241KA
M4 - GSX140251KA
M5 - GSX140301KA
M6 - GSX140311KA
M7 - GSX140361KA
M8 - GSX140371KA
M9 - GSX140421KA
M10 - GSX140481KA
M11 - GSX140601KA

**Image 2:**

112	0121R00347PDG	LOUVER POST, PDG 23.73 (M1, M2, M3, M4)
112	0121R00350PDG	Louver Post, PDG 28.73 (M5, M6, M7, M8)
112	0121R00352PDG	Louver Post, PDG 32.51 (M9)
122	0121R00336PDGLS	Louver Panel, PDG 26" _23.73 (M1, M2, M3, M4)
122	0121R00342PDGLS	Louver Panel, PDG 29" _28.73 (M5, M6, M7, M8)
122	0121R00344PDGLS	Louver Panel, PDG 29" _32.51 (M9)
132	0121R00336PDGRS	Louver Panel, PDG 26" _23.73 (M1, M2, M3, M4)
132	0121R00342PDGRS	Louver Panel, PDG 29" _28.73 (M5, M6, M7, M8)
132	0121R00344PDGRS	Louver Panel, PDG 29" _32.51 (M9)

# Control Box



# Control Box

Ref. Part No: No:	Description:	Ref. Part No: No:	Description:
-------------------	--------------	-------------------	--------------

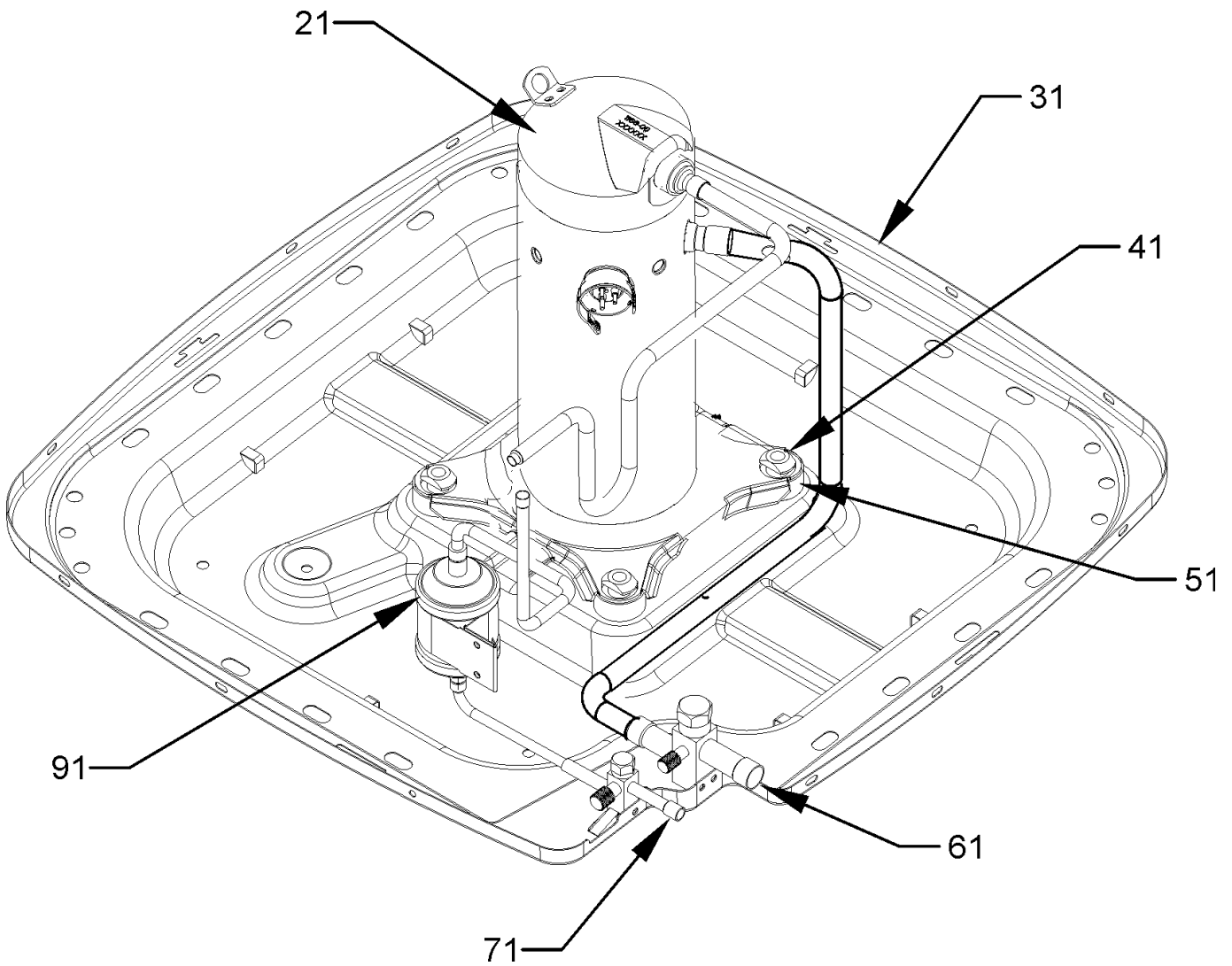
**Image 1:**

11	0121R00316PDG	PANEL, LOWER ACCESS PNT (M11)
11	0121R00319PDG	PANEL, LOWER ACCESS PNT (M9, M10)
11	0121R00322PDG	PANEL, LOWER ACCESS PNT (M5, M6, M7, M8)
11	0121R00326PDG	PANEL, LOWER ACCESS PNT (M1, M2, M3, M4)
21	0121R00053PDG	CONTROL COVER
71	CONT1P025024V	CONTACTOR 25 AMP, 1P, 24V (M1, M2, M3, M4, M5, M6, M7, M8, M9)
71	CONT1P030024V	CONTACTOR 30 AMP, 1P, 24V (M10, M11)
81	CAP050300440RS	CAPACITOR 5/30/370V (M1, M2)
81	CAP050350440CS	CAPACITOR 5/35/440V (M3, M4)
81	CAP050400440CT	CAPACITOR 5/40/440V/DUAL RD (M5, M6)
81	CAP050450440CT	CAPACITOR 5/45/440V/DUAL RD (M7, M8, M9, M10)
81	CAP050700440CT	CAPACITOR 5/70/440V/DUAL RD (M11)
91	4400065	CAPACITOR STRAP

**Expanded Model Nomenclature**

M1 - GSX140181KA
M2 - GSX140191KA
M3 - GSX140241KA
M4 - GSX140251KA
M5 - GSX140301KA
M6 - GSX140311KA
M7 - GSX140361KA
M8 - GSX140371KA
M9 - GSX140421KA
M10 - GSX140481KA
M11 - GSX140601KA

# Tubing & Compressor Assy





# Tubing & Compressor Assy

Ref. Part No: No:	Description:	Ref. Part No: No:	Description:
<b>Image 1:</b>			
21	ZP14K6EPFV130		COMP, 14,000,208/230/60/1 (M2)
21	ZP20K6EPFV130		COMP, 20,000,208/230/60/1 (M3, M4)
21	ZP24K6EPFV130		COMP, 24,000,208/230/60/1 (M6)
21	ZP29K6EPFV130		COMP, 29,000,208/230/60/1 (M8)
21	ZP16K5EPFV130		COMP,15500,208/230/60/1 (M1)
21	ZP24K5EPFV130		COMP,24000,208/230/60/1 (M5)
21	ZP29K5EPFV130		COMP,29000,208/230/60/1 (M7)
21	ZP49K5EPFV130		COMP,49400,208/230/60/1 (M11)
21	ZP31K5EPFV130		COMPRESSOR 31100, 208/230/60/1 (M9)
21	ZP38K5EPFV130		COMPRESSOR 37500, 208/230/60/1 (M10)
31	0121R00005PDG		BASE PAN 26" (M1, M2, M3, M4)
31	0121R00006PDG		BASE PAN 29" (M5, M6, M7, M8, M9)
31	0121R00007PDG		BASE PAN 35" (M10, M11)
41	M0221641		TF SHOULDER SCREW (QTY 4)
51	B1339533		COMPRESSOR GROMMET (QTY 4)
61	0151R00032		VALVE, BASE 3/4" OPEN LEFT (M1, M2, M3, M4, M5, M6, M7, M8)
61	0151R00033		VALVE, SERVICE 7/8" OPEN LEFT (M9, M10, M11)
71	B12825171		3/8" SERVICE VALVE
91	0162R00009		FILTER DRIER
NS	0159R00000P		COMPRESSOR SCROLL HARNESS (M1, M2, M3, M4, M8)
NS	0159R00001P		COMPRESSOR SCROLL HARNESS (M5, M6, M7, M9)
NS	0159R00002P		COMPRESSOR SCROLL HARNESS (M10, M11)
NS	B1789852		FLOW CHECK PISTON KIT .052 (M1)
NS	B1789853		FLOW CHECK PISTON KIT .053 (M2)
NS	B1789857		FLOW CHECK PISTON KIT .057 (M3, M4)
NS	B1789863		FLOW CHECK PISTON KIT .063 (M6)
NS	B1789865		FLOW CHECK PISTON KIT .065 (M5)
NS	B1789868		FLOW CHECK PISTON KIT .068 (M7)
NS	B1789871		FLOW CHECK PISTON KIT .071 (M8)
NS	B1789874		FLOW CHECK PISTON KIT .074 (M9)
NS	B1789878		FLOW CHECK PISTON KIT .078 (M10)
NS	B1789888		FLOW CHECK PISTON KIT .088 (M11)

## Expanded Model Nomenclature

M1 - GSX140181KA
M2 - GSX140191KA
M3 - GSX140241KA
M4 - GSX140251KA
M5 - GSX140301KA
M6 - GSX140311KA
M7 - GSX140361KA
M8 - GSX140371KA
M9 - GSX140421KA
M10 - GSX140481KA
M11 - GSX140601KA