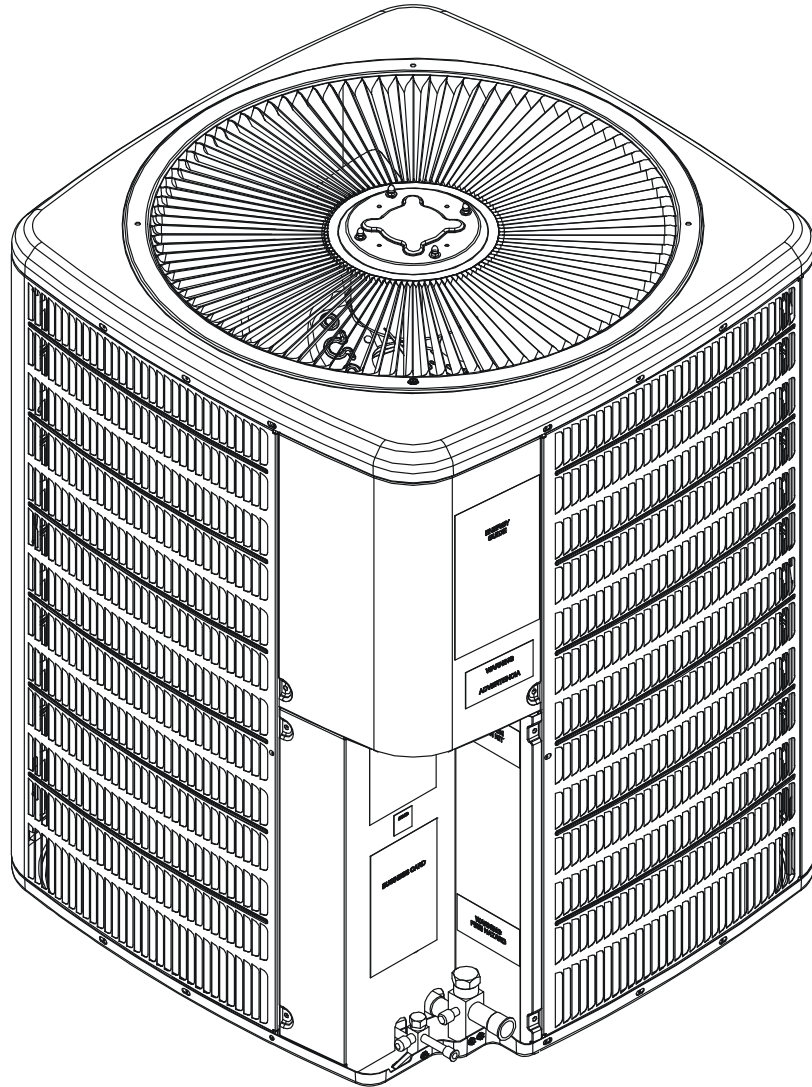


# REPAIR PARTS

## GSX13 R410A Remote Condensing Unit

GSX130181AB  
GSX130181BA  
GSX130181CA  
GSX130181DA  
GSX130181EA  
GSX130181EB  
GSX130241AB  
GSX130241BA  
GSX130241DA  
GSX130301AB  
GSX130301BA  
GSX130301DA  
GSX130301DB  
GSX130361AB  
GSX130361BA  
GSX130361DA  
GSX130363AA  
GSX130421AB  
GSX130421BA  
GSX130421BB  
GSX130481AB  
GSX130481BA  
GSX130481BB  
GSX130483AA  
GSX130483AB  
GSX130484AA  
GSX130601AB  
GSX130601BA  
GSX130603AA  
GSX130604AA



This manual is to be used by qualified technicians only.

This manual replaces RP-461H.

© 2009 ,2012 Goodman Manufacturing Company, L.P. ♦ 5151 San Felipe, Suite 500 ♦ Houston, TX 77056

# Important Information

---

## Index

Functional Parts List .....	3
Illustration and Parts .....	4 - 9

*Views shown are for parts illustrations only, not servicing procedures.*

### Text Codes:

AR - As Required

NA - Not Available

NS - Not Shown

00000000 - See Note

QTY - Quantity Example (QTY 3) (If Quantity not shown, Quantity = 1)

M - Model Example (M1) (If M Code not shown, then part is used on all Models)

### Expanded Model Nomenclature:

Example M1 - Model#1 M2 - Model#2 M3 - Model#3
---

Goodman Manufacturing Company, L.P. is not responsible for personal injury or property damage resulting from improper service. Review all service information before beginning repairs.

Warranty service must be performed by an authorized technician, using authorized factory parts. If service is required after the warranty expires, Goodman Manufacturing Company, L.P. also recommends contacting an authorized technician and using authorized factory parts.

Goodman Manufacturing Company, L.P. reserves the right to discontinue, or change at any time, specifications or designs without notice or without incurring obligations.

For assistance within the U.S.A. contact:  
Consumer Affairs Department  
Goodman Manufacturing Company, L.P.  
7401 Security Way  
Houston, Texas 77040  
877-254-4729-Telephone  
713-863-2382-Facsimile

For assistance outside the U.S.A. contact:  
International Division  
Goodman Manufacturing Company, L.P.  
7401 Security Way  
Houston, Texas 77040  
713-861-2500-Telephone  
713-863-2382-Facsimile

# Functional Parts

## Part

## No: Description:

50N382XV-ZAKM	1.5T RECHI ROTARY COMPRESSOR	0150M00030	FAN BLADE, 18" (M4, M5, M6, M9, M12, M13)
50N382XV-5AKM	1.5T RECHI ROTARY COMPRESSOR (M5, M6)	20322602	HIGH PRESSURE SWITCH (M1, M7, M10, M14, M18, M21, M27)
CAP050700440RT	CAP, 5/70 MFD/440V/DUAL RD (M27, M28)	0131M00061	MOTOR, 1/4HP, 1SP, 8PL (M19, M21, M22, M24, M27)
CAP050300440RS	CAPACITOR 5/30/370V (M1, M2)	0131M00060	MOTOR, 1/6 HP, 1SP, 8 PL
CAP050350440RS	CAPACITOR 5/35/440V (M4, M5, M6, M9)	0131M00276	MOTOR, 1/8 HP, ISP, 6PL (M4, M5, M6, M9, M12, M13)
CAP050000370VA	CAPACITOR 5/370V (M17, M24, M25, M26, M29, M30)	5KS150FAB21	ROTARY COMPRESSOR
CAP050400440RT	CAPACITOR 5/40/440V (M11)		
CAP050450440RT	CAPACITOR 5/45/440V (M14, M15, M18, M19, M20, M21, M22, M23)		
ZP39K5ETFD130	COMP, 39000, 460/60/3 (M26)		
ZP49K5ETF5130	COMP, 49000/208/230/60/3 (M29)		
ZP49K5ETFD130	COMP, 49000/460V/60/3 (M30)		
ZP20K5EPFV130	COMP,20000,208/230/60/1 (M7, M8)		
ZP24K5EPFV130	COMP,24000,208/230/60/1 (M10, M11)		
ZP34K5EPFV130	COMP,34500,208/230/60/1 (M18, M19, M20)		
ZP49K5EPFV130	COMP,49400,208/230/60/1 (M28)		
ZP16K5EPFV130	COMPRESSOR 15500, 208/230/60/1 (M4)		
ZP29K5EPFV130	COMPRESSOR 29000, 208/230/60/1 (M16)		
ZP31K5EPFV130	COMPRESSOR 31100, 208/230/60/1 (M14, M15)		
ZP31K5ETF5130	COMPRESSOR 31200, 200/230/60/3 (M17)		
ZP39K5ETF5130	COMPRESSOR 39000, 200/230/60/3 (M24, M25)		
ZP39K5EPFV130	COMPRESSOR 39000, 208/230/60/1 (M21, M22, M23)		
ZP51K5EPFV130	COMPRESSOR 51000, 208/230/60/1 (M27)		
0131M00018P	COND MOTOR 1/4 HP, 1 SP, 6 PL (M20, M23, M25, M28, M29)		
0131M00022	COND MOTOR 1/4 HP, 8 PL, 460V (M26, M30)		
0131M00016P	COND MOTOR 1/6 HP, 1 SP, 8 PL (M14, M15, M17, M18)		
CONT1P025024V	CONTACTOR 25 AMP, 1P, 24V (M1, M2, M3, M7, M8, M10, M14, M15, M18, M19, M20)		
CONT3P025024V	CONTACTOR 25 AMP, 3P, 24V (M17, M24, M25, M26, M29, M30)		
CONT1P030024V	CONTACTOR 30 AMP, 1P, 24V (M21, M22, M23, M27, M28)		
0150M00018	FAN BLADE 20" (M1, M2, M7, M8, M10)		
0150M00012	FAN BLADE 20" CCW (M3, M11)		
B1086750	FAN BLADE 22", 3 BLADE, 24° (M20, M23, M25, M28, M29)		
10625738	FAN BLADE 26" ALUM CCW (M27)		
B1086764	FAN BLADE TYPE 2 (M14, M15, M17, M18)		
B1086765	FAN BLADE TYPE 3 (M19, M21, M22, M24, M26, M30)		
0150M00029	FAN BLADE, 18" (M16)		

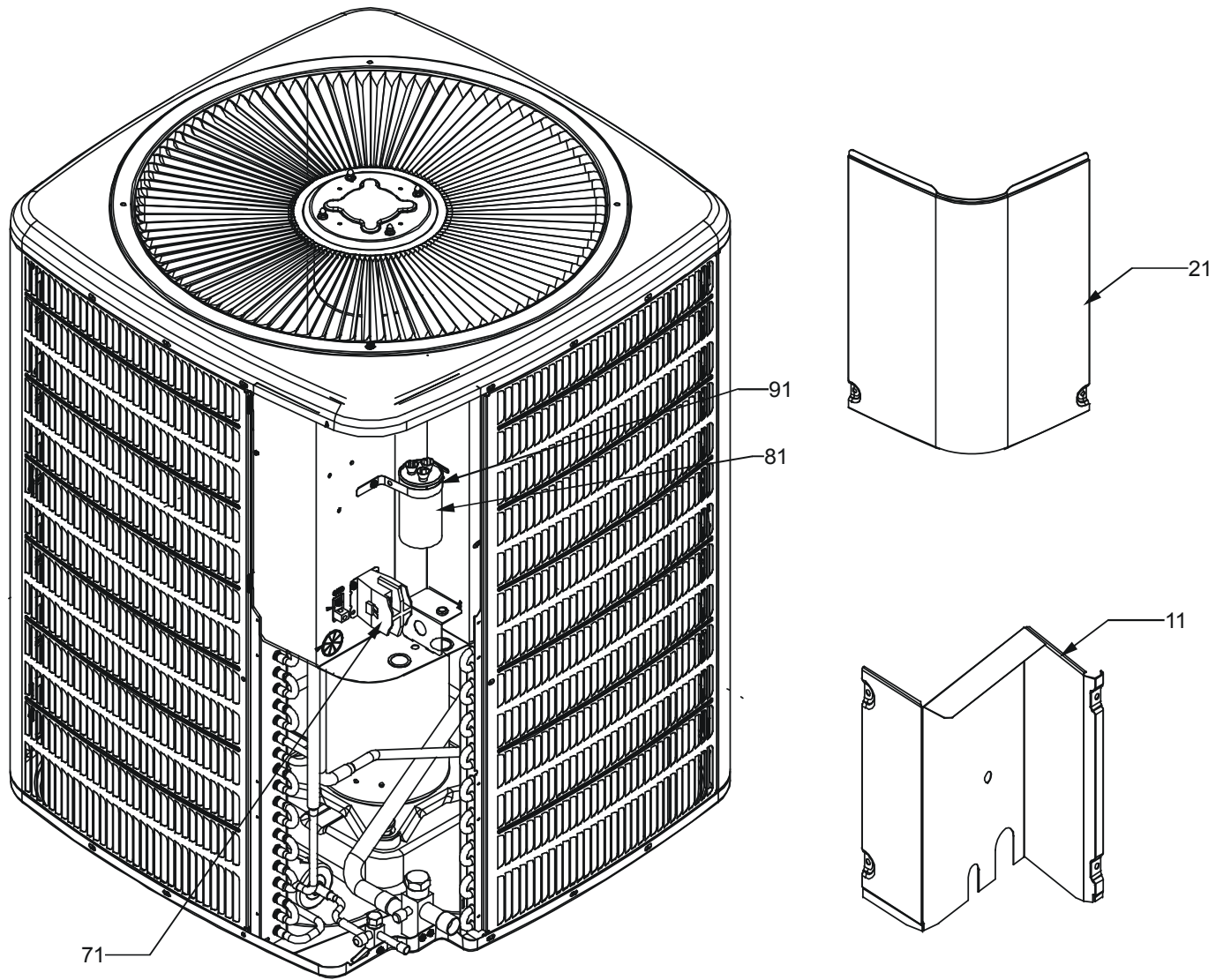
### SPECIAL PARTS

0161R00009P NAMEPLATE (M4, M5, M6, M9, M12, M13, M16)

### Expanded Model Nomenclature

M1 - GSX130181AB
M2 - GSX130181BA
M3 - GSX130181CA
M4 - GSX130181DA
M5 - GSX130181EA
M6 - GSX130181EB
M7 - GSX130241AB
M8 - GSX130241BA
M9 - GSX130241DA
M10 - GSX130301AB
M11 - GSX130301BA
M12 - GSX130301DA
M13 - GSX130301DB
M14 - GSX130361AB
M15 - GSX130361BA
M16 - GSX130361DA
M17 - GSX130363AA
M18 - GSX130421AB
M19 - GSX130421BA
M20 - GSX130421BB
M21 - GSX130481AB
M22 - GSX130481BA
M23 - GSX130481BB
M24 - GSX130483AA
M25 - GSX130483AB
M26 - GSX130484AA
M27 - GSX130601AB
M28 - GSX130601BA
M29 - GSX130603AA
M30 - GSX130604AA

# Control Cover / Control Box



# Control Cover / Control Box

Ref. Part		Ref. Part	
No:	No:	Description:	Description:
<i>Image 1:</i>		Expanded Model Nomenclature	
11	0121R00266	PANEL, LOWER ACCESS 23_30.24 (M16)	M1 - GSX130181AB
11	0121R00316PDG	PANEL, LOWER ACCESS PNT (M28, M29, M30)	M2 - GSX130181BA
11	0121R00318PDG	PANEL, LOWER ACCESS PNT (M21, M27)	M3 - GSX130181CA
11	0121R00319PDG	PANEL, LOWER ACCESS PNT (M19, M20, M22, M23, M24, M25, M26)	M4 - GSX130181DA
11	0121R00321PDG	PANEL, LOWER ACCESS PNT (M18)	M5 - GSX130181EA
11	0121R00323PDG	PANEL, LOWER ACCESS PNT (M1, M7, M10, M14)	M6 - GSX130181EB
11	0121R00325PDG	PANEL, LOWER ACCESS PNT (M15, M17)	M7 - GSX130241AB
11	0121R00326PDG	PANEL, LOWER ACCESS PNT (M2, M3, M8, M11)	M8 - GSX130241BA
11	0121R00264PDG	PANEL, LOWER ACCESS 23_22.6 PNT (M4)	M9 - GSX130241DA
11	0121R00265PDG	PANEL, LOWER ACCESS 23_25.2 PNT (M5, M6, M9, M12, M13)	M10 - GSX130301AB
21	0121R00053PDG	CONTROL COVER (M1, M2, M3, M7, M8, M10, M11, M14, M15, M17, M18, M19, M20, M21, M22, M23, M24, M25, M26, M27, M28, M29, M30)	M11 - GSX130301BA
21	0121R00267	PANEL, CONTROL (M4, M5, M6, M9, M12, M13, M16)	M12 - GSX130301DA
71	CONT1P025024V	CONTACTOR 25 AMP, 1P, 24V (M1, M2, M3, M7, M8, M10, M14, M15, M18, M19, M20)	M13 - GSX130301DB
71	CONT3P025024V	CONTACTOR 25 AMP, 3P, 24V (M17, M24, M25, M26, M29, M30)	M14 - GSX130361AB
71	CONT1P030024V	CONTACTOR 30 AMP, 1P, 24V (M21, M22, M23, M27, M28)	M15 - GSX130361BA
81	CAP050700440RT	CAP, 5/70 MFD/440V/DUAL RD (M27, M28)	M16 - GSX130361DA
81	CAP050300440RS	CAPACITOR 5/30/370V (M1, M2)	M17 - GSX130363AA
81	CAP050350440RS	CAPACITOR 5/35/440V (M4, M5, M6, M9)	M18 - GSX130421AB
81	CAP050000370VA	CAPACITOR 5/370V (M17, M24, M25, M26, M29, M30)	M19 - GSX130421BA
81	CAP050400440RT	CAPACITOR 5/40/440V (M11)	M20 - GSX130421BB
81	CAP050450440RT	CAPACITOR 5/45/440V (M14, M15, M18, M19, M20, M21, M22, M23)	M21 - GSX130481AB
91	4400065	CAPACITOR STRAP (M4, M5, M6, M9, M12, M13, M16)	M22 - GSX130481BA
NS	0161R00009P	NAMEPLATE (M4, M5, M6, M9, M12, M13, M16)	M23 - GSX130481BB
			M24 - GSX130483AA
			M25 - GSX130483AB
			M26 - GSX130484AA
			M27 - GSX130601AB
			M28 - GSX130601BA
			M29 - GSX130603AA
			M30 - GSX130604AA

# Compressor / Tubing Assembly

Image 2

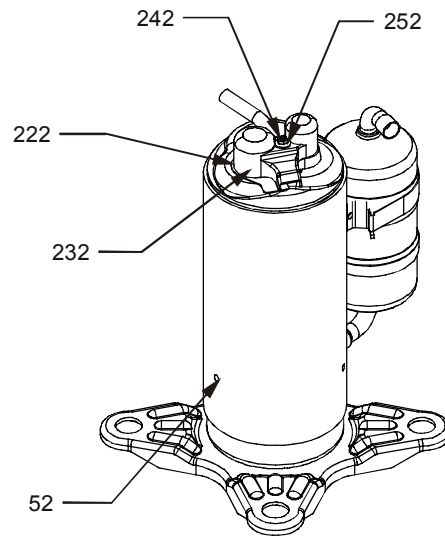
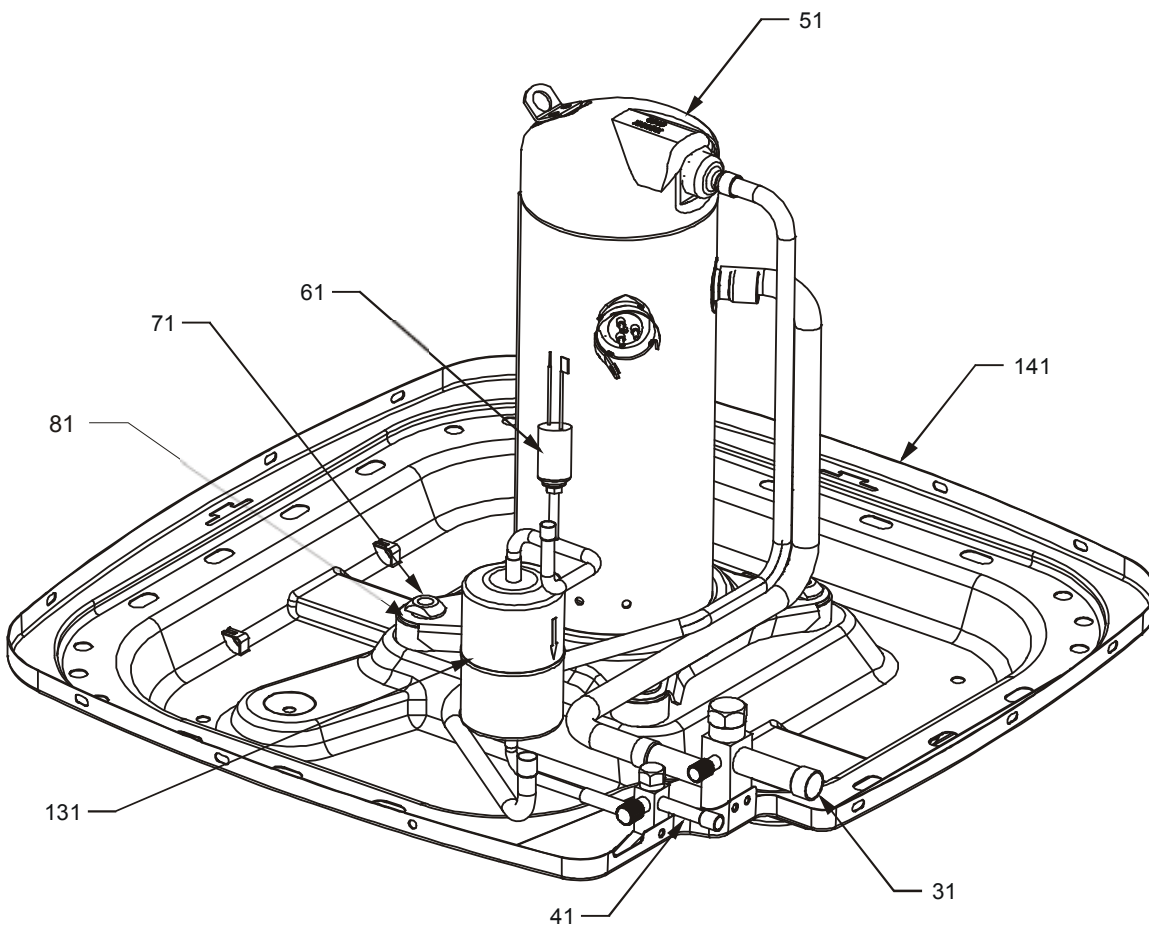


Image 1



# Compressor / Tubing Assembly

**Ref. Part  
No: No:**

**Description:**

**Ref. Part  
No: No:**

**Description:**

*Image 1:*

31	0151R00032	VALVE, BASE 3/4" OPEN LEFT (M4, M5, M6, M9, M12, M13, M16)
31	0151R00033	VALVE, BASE 7/8" OPEN LEFT (M18, M19, M20, M21, M22, M23, M24, M25, M26, M27, M28, M29, M30)
41	B12825171	3/8" SERVICE VALVE (M1, M7, M10, M14, M18, M21, M27)
51	50N382XV-5AKM	1.5T RECHI ROTARY COMPRESSOR (M5, M6)
51	50N382XV-ZAKM	1.5T RECHI ROTARY COMPRESSOR
51	ZP39K5ETFD130	COMP, 39000, 460/60/3 (M26)
51	ZP49K5ETF5130	COMP, 49000/208/230/60/3 (M29)
51	ZP49K5ETFD130	COMP, 49000/460V/60/3 (M30)
51	ZP20K5EPFV130	COMP,20000,208/230/60/1 (M7, M8)
51	ZP24K5EPFV130	COMP,24000,208/230/60/1 (M10, M11)
51	ZP34K5EPFV130	COMP,34500,208/230/60/1 (M18, M19, M20)
51	ZP49K5EPFV130	COMP,49400,208/230/60/1 (M28)
51	ZP16K5EPFV130	COMPRESSOR 15500, 208/230/60/1 (M4)
51	ZP29K5EPFV130	COMPRESSOR 29000, 208/230/60/1 (M16)
51	ZP31K5EPFV130	COMPRESSOR 31100, 208/230/60/1 (M14, M15)
51	ZP31K5ETF5130	COMPRESSOR 31200, 200/230/60/3 (M17)
51	ZP39K5ETF5130	COMPRESSOR 39000, 200/230/60/3 (M24, M25)
51	ZP39K5EPFV130	COMPRESSOR 39000, 208/230/60/1 (M21, M22, M23)
51	ZP51K5EPFV130	COMPRESSOR 51000, 208/230/60/1 (M27)
61	20322602	HIGH PRESSURE SWITCH (M1, M7, M10, M14, M18, M21, M27)
71	M0221641	TF SHOULDER SCREW (M1, M2, M3, M7, M8, M10, M11, M14, M15, M17, M18, M19, M20, M21, M22, M23, M24, M25, M26, M27, M28, M29, M30)
81	B1339533	COMPRESSOR GROMMET (M9, M12, M13, M16)
131	0162R00009	FILTER DRIER (M1, M2, M3, M7, M8, M10, M11, M14, M15, M17, M18, M19, M20, M21, M22, M23, M24, M25, M26, M27, M28, M29, M30)
141	0121R00005PDG	BASE PAN 26" (M1, M2, M3, M7, M8, M10, M11)
141	0121R00006PDG	BASE PAN 29" (M14, M15, M17, M18, M19, M20, M21, M22, M23, M24, M25, M26, M28, M29, M30)
141	0121R00007PDG	BASE PAN 35" (M27)
141	0121R00272PDG	BASE PAN, 23", PNT DG (M4, M5, M6, M9, M12, M13, M16)
NS	0159R00000P	COMPRESSOR SCROLL HARNESS (M1, M2, M7, M8, M10, M11)
NS	0159R00002P	COMPRESSOR SCROLL HARNESS (M14, M15, M18, M19, M20, M21, M22, M23)
NS	0159R00008	HARNESS, COMP (M17)
NS	0159R00009	HARNESS, COMP (M24, M25, M26, M29, M30)

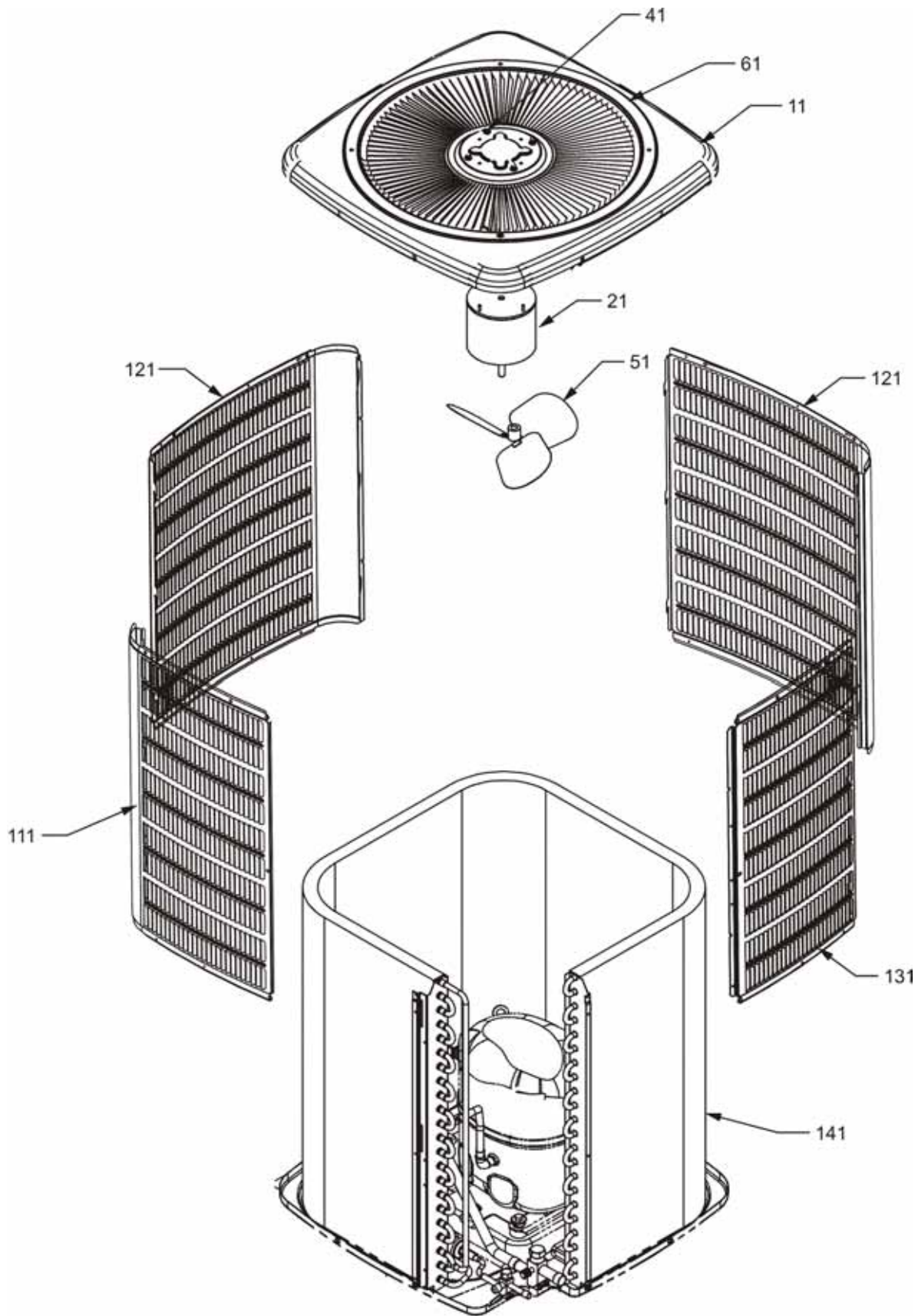
Expanded Model Nomenclature

M1 - GSX130181AB
M2 - GSX130181BA
M3 - GSX130181CA
M4 - GSX130181DA
M5 - GSX130181EA
M6 - GSX130181EB
M7 - GSX130241AB
M8 - GSX130241BA
M9 - GSX130241DA
M10 - GSX130301AB
M11 - GSX130301BA
M12 - GSX130301DA
M13 - GSX130301DB
M14 - GSX130361AB
M15 - GSX130361BA
M16 - GSX130361DA
M17 - GSX130363AA
M18 - GSX130421AB
M19 - GSX130421BA
M20 - GSX130421BB
M21 - GSX130481AB
M22 - GSX130481BA
M23 - GSX130481BB
M24 - GSX130483AA
M25 - GSX130483AB
M26 - GSX130484AA
M27 - GSX130601AB
M28 - GSX130601BA
M29 - GSX130603AA
M30 - GSX130604AA

*Image 2:*

52	5KS150FAB21	ROTARY COMPRESSOR
222	0154M00003	GASKET, TERM COVER (M3)
232	0164M00022	GROMMET/WASHER ASSY (M3)
242	A3436801	GASKET-NUT (M4)
252	A3436601	NUT-TERM COVER (M4)

# Cabinet Top / Side Panels





# Cabinet Top / Side Panels

Ref. Part No:	No:	Description:	Ref. Part No:	No:	Description:
<i>Image 1:</i>			<i>Image 1:</i>		
11	0121R00008PDG	PANEL, TOP 26" PNT (M1, M2, M3, M7, M8, M10, M11)	121	0121R00134PDGB	LOUVERED SIDE PANEL (M19, M20, M22, M23, M24, M25, M26)
11	0121R00010PDG	PANEL, TOP 29" PNT (M14, M15, M17, M18, M19, M20, M21, M22, M23, M24, M25, M26, M28, M29, M30)	121	0121R00176PDGB	LOUVERED SIDE PANEL (M28, M29, M30)
11	0121R00270PDG	PANEL, TOP, PNT DG (M4, M5, M6, M9, M12, M13, M16)	121	0121R00273PDG	LOUVERED SIDE PANEL [LT OF CNTL PNL] (M4)
11	0121R00269PDG	TOP PANEL, 35" (M27)	121	0121R00047PDGB	PANEL 2.BENT LOUVER 35_36.0 (M27)
21	0131M00018P	COND MOTOR 1/4 HP, 1 SP, 6 PL (M20, M23, M25, M28, M29)	121	0121R00274PDG	PANEL, LOUVER 23_25.2, PNT DG (M5, M6, M9, M12, M13)
21	0131M00022	COND MOTOR 1/4 HP, 8 PL, 460V (M26, M30)	121	0121R00275PDG	PANEL, LOUVER 23_30.24, PNT DG (M16)
21	0131M00016P	COND MOTOR 1/6 HP, 1 SP, 8 PL (M14, M15, M17, M18)	131	0121R00138PDG	LOUVERED SIDE PANEL (M15, M17)
21	0131M00061	MOTOR, 1/4HP, 1SP, 8PL (M19, M21, M22, M24, M27)	131	0121R00177PDG	LOUVERED SIDE PANEL (M28, M29, M30)
21	0131M00060	MOTOR, 1/6 HP, 1SP, 8 PL	131	0121R00021PDG	LOUVERED SIDE PANEL [RT OF CNTL PNL] (M1, M7, M10)
21	0131M00276	MOTOR, 1/8 HP, 1SP, 6PL (M4, M5, M6, M9, M12, M13)	131	0121R00036PDG	LOUVERED SIDE PANEL [RT OF CNTL PNL] (M14)
41	0163M00006P	ACORN NUT 5/16 HEX BLACK (M4, M5, M6, M9, M12, M13, M16)	131	0121R00037PDG	LOUVERED SIDE PANEL [RT OF CNTL PNL] (M18)
51	0150M00018	FAN BLADE 20" (M1, M2, M7, M8, M10)	131	0121R00039PDGS	LOUVERED SIDE PANEL [RT OF CNTL PNL] (M21)
51	0150M00012	FAN BLADE 20" CCW (M3, M11)	131	0121R00051PDG	LOUVERED SIDE PANEL [RT OF CNTL PNL] (M27)
51	B1086750	FAN BLADE 22", 3 BLADE, 24° (M20, M23, M25, M28, M29)	131	0121R00116S	LOUVERED SIDE PANEL [RT OF CNTL PNL] (M2, M3, M8, M11)
51	10625738	FAN BLADE 26" ALUM CCW (M27)	131	0121R00141PDG	LOUVERED SIDE PANEL [RT OF CNTL PNL] (M19, M20, M22, M23, M24, M25, M26)
51	B1086764	FAN BLADE TYPE 2 (M14, M15, M17, M18)	141	0201R00130	TUBING ASSY, COND COIL (M14)
51	B1086765	FAN BLADE TYPE 3 (M19, M21, M22, M24, M26, M30)	141	0201R00132	TUBING ASSY, COND COIL (M18)
51	0150M00029	FAN BLADE, 18" (M16)	141	0201R00134	TUBING ASSY, COND COIL (M27)
51	0150M00030	FAN BLADE, 18" (M4, M5, M6, M9, M12, M13)	141	0201R00144	TUBING ASSY, COND COIL (M1, M7, M10)
61	0161L00000	VENTURI RING 22" (M15, M17, M19, M20, M22, M23, M24, M25, M26, M28, M29, M30)	141	0201R00146	TUBING ASSY, COND COIL (M21)
61	0161R00007P	VENTURI RING 35" (M27)	141	0201R00236	TUBING ASSY, COND COIL (M28)
111	0121R00124PDGB	LOUVERED SIDE PANEL (M15, M17)	141	0201R00242	TUBING ASSY, COND COIL (M19, M20, M22, M23)
111	0121R00175PDGB	LOUVERED SIDE PANEL (M28, M29, M30)	141	0201R00268	TUBING ASSY, COND COIL (M2, M3, M8)
111	0121R00015PDGB	LOUVERED SIDE PANEL [LT OF CNTL PNL] (M1, M7, M10)	141	0201R00271	TUBING ASSY, COND COIL (M11)
111	0121R00024PDGB	LOUVERED SIDE PANEL [LT OF CNTL PNL] (M14)	141	0201R00272	TUBING ASSY, COND COIL (M15, M17)
111	0121R00025PDGB	LOUVERED SIDE PANEL [LT OF CNTL PNL] (M18)	141	0201R00304	TUBING ASSY, COND COIL (M28)
111	0121R00043PDGB	LOUVERED SIDE PANEL [LT OF CNTL PNL] (M27)	141	0201R00337	TUBING ASSY, COND COIL (M24, M25, M26)
111	0121R00102PDGB	LOUVERED SIDE PANEL [LT OF CNTL PNL] (M2, M3, M8, M11)	141	0201R00339	TUBING ASSY, COND COIL (M29, M30)
111	0121R00127PDGB	LOUVERED SIDE PANEL [LT OF CNTL PNL] (M19, M20, M22, M23, M24, M25, M26)	141	0201R00382	TUBING ASSY, COND COIL (M4)
121	0121R00018PDGB	LOUVERED SIDE PANEL (M1, M7, M10)	141	0201R00383	TUBING ASSY, COND COIL (M9, M12)
121	0121R00030PDGB	LOUVERED SIDE PANEL (M14)	141	0201R00384	TUBING ASSY, COND COIL (M16)
121	0121R00031PDGB	LOUVERED SIDE PANEL (M18)	141	0201R00398	TUBING ASSY, COND COIL (M5, M6, M13)
121	0121R00033PDGB	LOUVERED SIDE PANEL (M21)	NS	0161R00001P	CONDUIT (M1, M2, M3, M7, M8, M10, M11)
121	0121R00109PDGB	LOUVERED SIDE PANEL (M2, M3, M8, M11)	NS	0161R00002P	CONDUIT (M15, M17, M19, M20, M22, M23, M24, M25, M26, M28, M29, M30)
121	0121R00131PDGB	LOUVERED SIDE PANEL (M15, M17)	NS	0161R00003P	CONDUIT (M14, M18, M21)
			NS	0161R00004P	CONDUIT (M27)
			NS	0161R00032	conduit (M4, M5, M6, M9, M12, M13, M16)
			NS	B1789886	FLOW CHECK PISTON KIT (M28, M29, M30)
			NS	B1789849	FLOW CHECK PISTON KIT .049 (M1)
			NS	B1789851	FLOW CHECK PISTON KIT .051 (M2, M3, M4, M5, M6)

# Cabinet Top / Side Panels

Ref. Part No: No:	Description:	Ref. Part No: No:	Description:
-------------------	--------------	-------------------	--------------

Image 1:

NS B1789853	FLOW CHECK PISTON KIT .053 (M7)
NS B1789857	FLOW CHECK PISTON KIT .057 (M8, M9)
NS B1789859	FLOW CHECK PISTON KIT .059 (M10, M12)
NS B1789861	FLOW CHECK PISTON KIT .061 (M11, M13)
NS B1789867	FLOW CHECK PISTON KIT .067 (M16)
NS B1789868	FLOW CHECK PISTON KIT .068 (M14)
NS B1789870	FLOW CHECK PISTON KIT .070 (M15, M17)
NS B1789874	FLOW CHECK PISTON KIT .074 (M18)
NS B1789876	FLOW CHECK PISTON KIT .076 (M19, M20)
NS B1789880	FLOW CHECK PISTON KIT .080 (M21, M22, M23, M24, M25, M26)
NS B1789892	FLOW CHECK PISTON KIT .092 (M27)
NS 0121R00279PDG	POST, LOUVER 23_22.6, PNT DG (M4)
NS 0121R00280PDG	POST, LOUVER 23_25.2, PNT DG (M5, M6, M9, M12, M13)
NS 0121R00281PDG	POST, LOUVER 23_30.24, PNT DG (M16)

Expanded Model Nomenclature

M1 - GSX130181AB
M2 - GSX130181BA
M3 - GSX130181CA
M4 - GSX130181DA
M5 - GSX130181EA
M6 - GSX130181EB
M7 - GSX130241AB
M8 - GSX130241BA
M9 - GSX130241DA
M10 - GSX130301AB
M11 - GSX130301BA
M12 - GSX130301DA
M13 - GSX130301DB
M14 - GSX130361AB
M15 - GSX130361BA
M16 - GSX130361DA
M17 - GSX130363AA
M18 - GSX130421AB
M19 - GSX130421BA
M20 - GSX130421BB
M21 - GSX130481AB
M22 - GSX130481BA
M23 - GSX130481BB
M24 - GSX130483AA
M25 - GSX130483AB
M26 - GSX130484AA
M27 - GSX130601AB
M28 - GSX130601BA
M29 - GSX130603AA
M30 - GSX130604AA