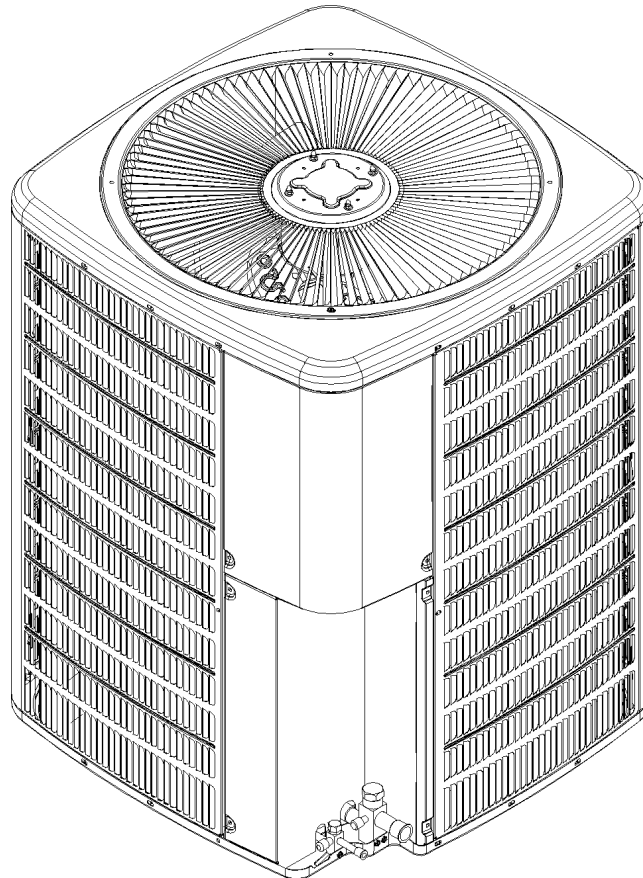


REPAIR PARTS

GSH 14 SEER Remote Heat Pumps

GSH140181AA
GSH140181AB
GSH140241AA
GSH140241AB
GSH140241AC
GSH140301AA
GSH140301AB
GSH140301AC
GSH140361AA
GSH140361AB
GSH140361AC
GSH140361AD
GSH140361AE
GSH140361AF
GSH140421AA
GSH140421AB
GSH140421AC
GSH140421AD
GSH140481AA
GSH140481AB
GSH140481AC
GSH140481AD
GSH140601AA
GSH140601AB
GSH140601AC
GSH140601AE



Goodman Manufacturing Company, L.P.
5151 San Felipe, Suite 500
Houston, TX 77056

www.goodmanmfg.com www.amana-hac.com

RP-356D
May 2008

Important Information

Index

Functional Parts List	3
Illustration and Parts	4 - 9

Views shown are for parts illustrations only, not servicing procedures.

Rev. D: Added models GSH140361AF, GSH140421AD, GSH140481AD, and GSH140601AE.

Text Codes:

AR - As Required

NA - Not Available

NS - Not Shown

00000000 - See Note

QTY - Quantity Example (QTY 3) (If Quantity not shown, Quantity = 1)

M - Model Example (M1) (If M Code not shown, then part is used on all Models)

Expanded Model Nomenclature:

Example M1 - Model#1 M2 - Model#2 M3 - Model#3

Goodman Manufacturing Company, L.P. is not responsible for personal injury or property damage resulting from improper service. Review all service information before beginning repairs.

Warranty service must be performed by an authorized technician, using authorized factory parts. If service is required after the warranty expires, Goodman Manufacturing Company, L.P. also recommends contacting an authorized technician and using authorized factory parts.

Goodman Manufacturing Company, L.P. reserves the right to discontinue, or change at any time, specifications or designs without notice or without incurring obligations.

For assistance within the U.S.A. contact:
Consumer Affairs Department
Goodman Manufacturing Company, L.P.
7401 Security Way
Houston, Texas 77040
877-254-4729-Telephone
713-863-2382-Facsimile

For assistance outside the U.S.A. contact:
International Division
Goodman Manufacturing Company, L.P.
7401 Security Way
Houston, Texas 77040
713-861-2500-Telephone
713-863-2382-Facsimile

Functional Parts

Part

No: Description:

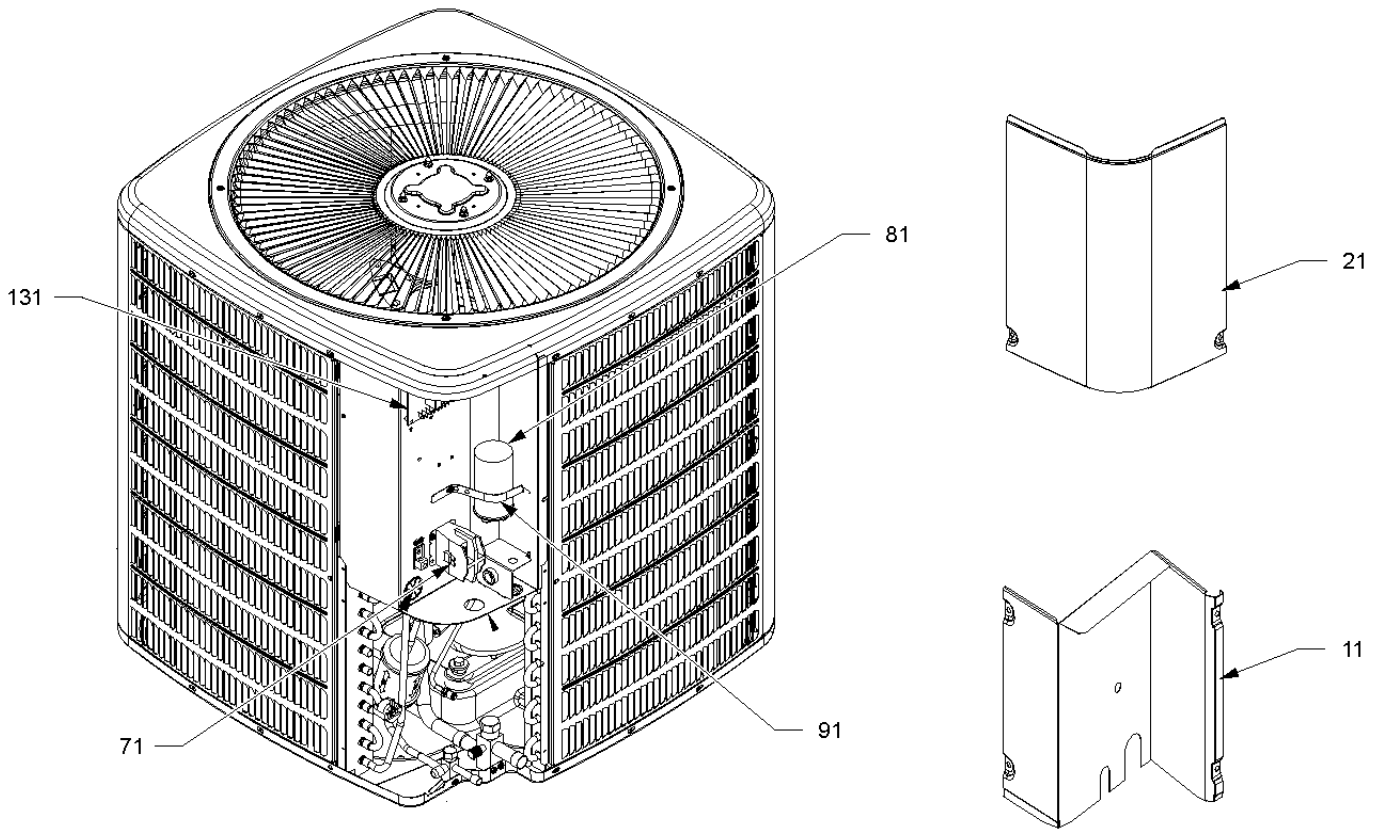
Expanded Model Nomenclature

ZR16K4PFV930	COMPRESSOR 16500, 208/230/60/1 (M1, M2)	M1 - GSH140181AA
ZR22K4PFV930	COMPRESSOR 22000, 208/230/60/1 (M3, M4, M5)	M2 - GSH140181AB
ZR24K4PFV930	COMPRESSOR 24000, 208/230/60/1 (M6, M7, M8)	M3 - GSH140241AA
ZR30K3PFV930	COMPRESSOR 31100, 208/230/60/1 (M9, M10, M11, M12, M13, M14)	M4 - GSH140241AB
ZR34K3PFV930	COMPRESSOR 34400, 208/230/60/1 (M15, M16, M17, M18)	M5 - GSH140241AC
ZR42K3PFV930	COMPRESSOR 42800, 208/230/60/1 (M19, M20, M21, M22)	M6 - GSH140301AA
ZR48K3PFV935	COMPRESSOR 49800, 208/230/60/1 (M23, M24, M25, M26)	M7 - GSH140301AB
0131M00019PS	COND MOTOR 1/12 HP, 1 SP, 8 PL (M1, M2)	M8 - GSH140301AC
0131M00014PS	COND MOTOR 1/4 HP, 1 SP, 8 PL (M9, M10, M12, M15, M16, M19, M20, M23, M24)	M9 - GSH140361AA
0131M00014PS	COND MOTOR 1/4 HP, 1 SP, 8 PL (M11, M13, M14, M17, M18, M21, M22, M25, M26)	M10 - GSH140361AB
0131M00016PS	COND MOTOR 1/6 HP, 1 SP, 8 PL (M5, M8)	M11 - GSH140361AC
0131M00016PS	COND MOTOR 1/6 HP, 1 SP, 8 PL (M3, M4, M6, M7)	M12 - GSH140361AD
CONT1P030024VS	CONTACTOR 30 AMP, 1P, 24V (M19, M20, M21, M22, M23, M24, M25, M26)	M13 - GSH140361AE
CONT2P030024VS	CONTACTOR 30 AMP, 2P, 24V (M1, M2, M3, M4, M5, M6, M7, M8, M9, M10, M11, M12, M13, M14, M15, M16, M17, M18)	M14 - GSH140361AF
PCBDM101S	DEFROST CONTROL BOARD	M15 - GSH140421AA
B1370803	DEFROST THERMOSTAT	M16 - GSH140421AB
B1360719	LOW PRESSURE SWITCH	M17 - GSH140421AC
		M18 - GSH140421AD
		M19 - GSH140481AA
		M20 - GSH140481AB
		M21 - GSH140481AC
		M22 - GSH140481AD
		M23 - GSH140601AA
		M24 - GSH140601AB
		M25 - GSH140601AC
		M26 - GSH140601AE

SPECIAL PARTS

IO-259F	INSTALLATION INSTRUCTIONS (M2, M4, M5, M7, M8, M10, M11, M12, M13, M14, M16, M17, M18, M20, M21, M22, M24, M25, M26)
0161R00009P	NAMEPLATE
RP-356D	REPAIR PARTS MANUAL

Control Cover / Control Box



Control Cover / Control Box

Ref. Part No:	No:	Description:	Ref. Part No:	No:	Description:
<i>Image 1:</i>					
11	4400202PDG	LOWER ACCESS PANEL (M1, M2)			
11	4400205PDG	LOWER ACCESS PANEL (M3, M4, M5, M6, M7, M8, M9, M10, M11, M12, M13, M14, M15, M16, M17, M18, M19, M20, M21, M22, M23, M24, M25, M26)			
21	0121R00053PDG	CONTROL COVER			
71	CONT1P030024VS	CONTACTOR 30 AMP, 1P, 24V (M19, M20, M21, M22, M23, M24, M25, M26)			
71	CONT2P030024VS	CONTACTOR 30 AMP, 2P, 24V (M1, M2, M3, M4, M5, M6, M7, M8, M9, M10, M11, M12, M13, M14, M15, M16, M17, M18)			
81	CAP050300370RSS	CAPACITOR 5/30/370V (M1, M2)			
81	CAP050350370RSS	CAPACITOR 5/35/370V (M3, M4, M5, M6, M7, M8)			
81	CAP050450370RSS	CAPACITOR 5/45/370V [CONTROL BOX] (M9, M10, M11, M12, M13, M14)			
81	CAP050550370RTS	CAPACITOR 5/55/370V [CONTROL BOX] (M15, M16, M17, M18)			
81	CAP050600370RTS	CAPACITOR 5/60/370V (M19, M20, M21, M22)			
81	CAP050600440RTS	CAPACITOR 5/60/440V (M23, M24, M25, M26)			
91	4400065	CAPACITOR STRAP			
131	PCBDM101S	DEFROST CONTROL BOARD			
NS	0161R00009P	NAMEPLATE			

Expanded Model Nomenclature

M1 - GSH140181AA
M2 - GSH140181AB
M3 - GSH140241AA
M4 - GSH140241AB
M5 - GSH140241AC
M6 - GSH140301AA
M7 - GSH140301AB
M8 - GSH140301AC
M9 - GSH140361AA
M10 - GSH140361AB
M11 - GSH140361AC
M12 - GSH140361AD
M13 - GSH140361AE
M14 - GSH140361AF
M15 - GSH140421AA
M16 - GSH140421AB
M17 - GSH140421AC
M18 - GSH140421AD
M19 - GSH140481AA
M20 - GSH140481AB
M21 - GSH140481AC
M22 - GSH140481AD
M23 - GSH140601AA
M24 - GSH140601AB
M25 - GSH140601AC
M26 - GSH140601AE

Tubing Assembly

Image 1

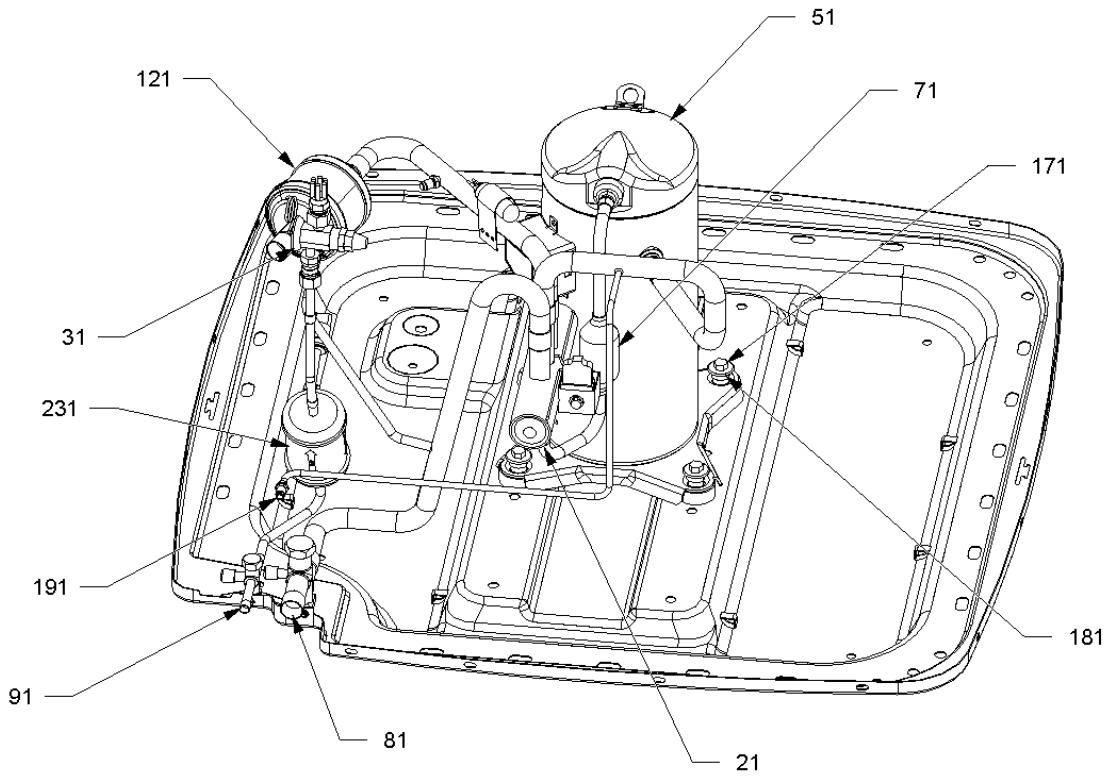
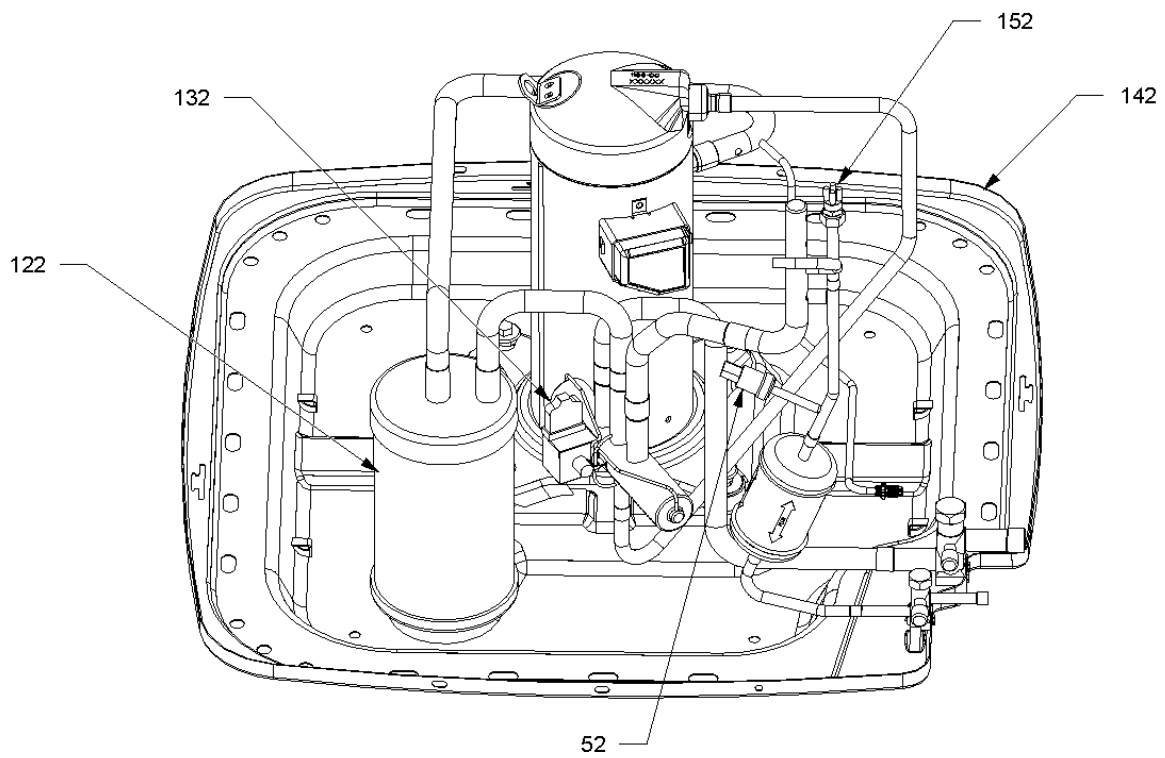


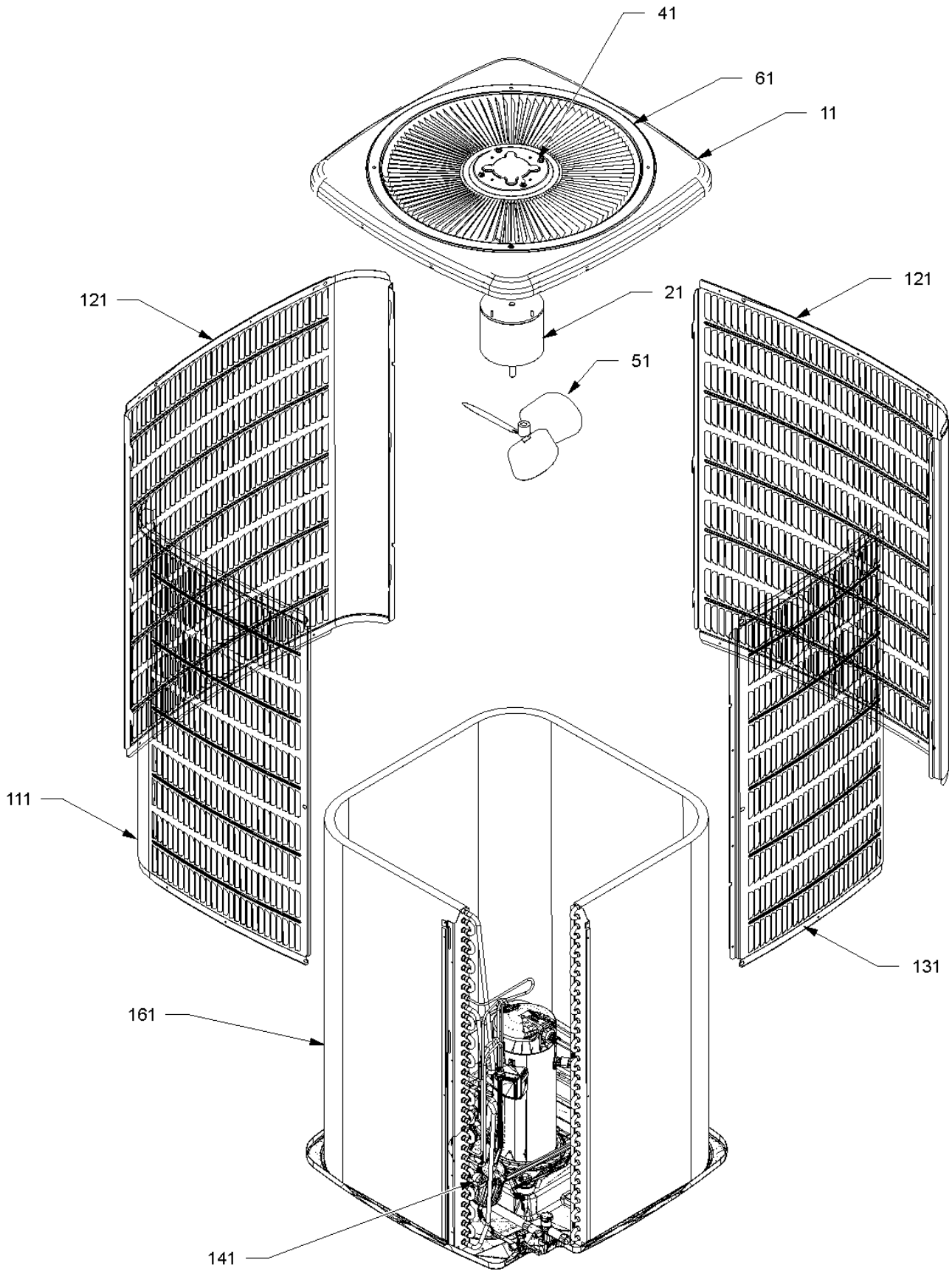
Image 2



Tubing Assembly

Ref. Part No:	Ref. Part No:	Description:	Description:	
<i>Image 1:</i>			152 0162M00080 FLOWRATOR-6 ST TUBE 0.074 (M26)	
21	B1227316S	REVERSING VALVE (M1, M2, M3, M4, M5, M6, M7, M8)	Expanded Model Nomenclature M1 - GSH140181AA M2 - GSH140181AB M3 - GSH140241AA M4 - GSH140241AB M5 - GSH140241AC M6 - GSH140301AA M7 - GSH140301AB M8 - GSH140301AC M9 - GSH140361AA M10 - GSH140361AB M11 - GSH140361AC M12 - GSH140361AD M13 - GSH140361AE M14 - GSH140361AF M15 - GSH140421AA M16 - GSH140421AB M17 - GSH140421AC M18 - GSH140421AD M19 - GSH140481AA M20 - GSH140481AB M21 - GSH140481AC M22 - GSH140481AD M23 - GSH140601AA M24 - GSH140601AB M25 - GSH140601AC M26 - GSH140601AE	
21	B1227318S	REVERSING VALVE (M9, M10, M11, M12, M13, M14, M15, M16, M17, M18, M19, M20, M21, M22, M23, M24, M25, M26)		
31	0151M00005	TXV VALVE 3 R22 (M9, M10, M11, M12, M13, M15, M16, M17)		
31	0151M00006	TXV VALVE 5 R22 (M19, M20, M21, M23, M24, M25)		
51	ZR16K4PFV930	COMPRESSOR 16500, 208/230/60/1 (M1, M2)		
51	ZR22K4PFV930	COMPRESSOR 22000, 208/230/60/1 (M3, M4, M5)		
51	ZR24K4PFV930	COMPRESSOR 24000, 208/230/60/1 (M6, M7, M8)		
51	ZR30K3PFV930	COMPRESSOR 31100, 208/230/60/1 (M9, M10, M11, M12, M13, M14)		
51	ZR34K3PFV930	COMPRESSOR 34400, 208/230/60/1 (M15, M16, M17, M18)		
51	ZR42K3PFV930	COMPRESSOR 42800, 208/230/60/1 (M19, M20, M21, M22)		
51	ZR48K3PFV935	COMPRESSOR 49800, 208/230/60/1 (M23, M24, M25, M26)		
71	B1219301	MUFFLER 1/2 X 1/2 (M12, M13, M14)		
81	B12825171	3/8" SERVICE VALVE		
91	0151R00002P	3/4" SERVICE VALVE OPEN LEFT (M1, M2, M3, M4, M5, M6, M7, M8)		
91	0151R00003P	7/8" SERVICE VALVE OPEN LEFT (M9, M10, M11, M12, M13, M14, M15, M16, M17, M18, M19, M20, M21, M22, M23, M24, M25, M26)		
121	0151R00005	COMPENSATOR 16 OZ (M9, M10, M11, M12, M13, M15, M16, M17, M19, M20, M21, M23, M24, M25)		
171	M0221641	TF SHOULDER SCREW (QTY 4)		
181	B1339533	COMPRESSOR GROMMET (QTY 4)		
191	B1787000	VALVE CORE		
231	B1219204	BI-FLOW FILTER DRIER, STEEL		
NS	B1225022S	SOLENOID COIL		
NS	0163M00019	TXV HEX NUT (M9, M10, M11, M12, M13, M15, M16, M17, M19, M20, M21, M23, M24, M25)		
<i>Image 2:</i>				
52	B1360719	LOW PRESSURE SWITCH		
122	B1226207	ACCUMULATOR (M14, M18, M22, M26)		
122	0151R00004P	ACCUMULATOR 3/4" (M1, M2, M3, M4, M5, M6, M7, M8)		
132	B1225020	SOLENOID COIL CORD W/1/4" TERMINAL		
142	0121R00006PDG	BASE PAN 29" (M1, M2, M3, M4, M5, M6, M7, M8)		
142	0121R00007PDG	BASE PAN 35" (M9, M10, M11, M12, M13, M14, M15, M16, M17, M18, M19, M20, M21, M22, M23, M24, M25, M26)		
152	0162M00024	FLOWRATOR-4 .188 ST TUBE .041 (M1, M2)		
152	0162M00025	FLOWRATOR-4 .188 ST TUBE .051 (M3, M4, M5)		
152	0162M00026	FLOWRATOR-4 .188 ST TUBE .057 (M6, M7, M8)		
152	0162M00027	FLOWRATOR-6 .188 HEAD (M9, M10, M11, M12, M13, M15, M16, M17, M19, M20, M21, M23, M24, M25)		
152	0162M00083	FLOWRATOR-6 ST TUBE 0.061 (M14)		
152	0162M00084	FLOWRATOR-6 ST TUBE 0.063 (M18, M22)		

Cabinet Top / Side Panels / Cond Coil



Cabinet Top / Side Panels / Cond Coil

Ref. Part No:	No:	Description:	Ref. Part No:	No:	Description:
<i>Image 1:</i>			NS	0161R00005P	CONDUIT (M9, M10, M11, M12, M13, M14, M15, M16, M17, M18, M19, M20, M21, M22)
11	0121R00010PDG	TOP PANEL 29" (M1, M2, M3, M4, M5, M6, M7, M8)	Expanded Model Nomenclature		
11	0121R00012PDG	TOP PANEL 35" (M9, M10, M11, M12, M13, M14, M15, M16, M17, M18, M19, M20, M21, M22, M23, M24, M25, M26)	M1 -	GSH140181AA	
21	0131M00019PS	COND MOTOR 1/12 HP, 1 SP, 8 PL (M1, M2)	M2 -	GSH140181AB	
21	0131M00014PS	COND MOTOR 1/4 HP, 1 SP, 8 PL (M11, M13, M14, M17, M18, M21, M22, M25, M26)	M3 -	GSH140241AA	
21	0131M00014PS	COND MOTOR 1/4 HP, 1 SP, 8 PL (M9, M10, M12, M15, M16, M19, M20, M23, M24)	M4 -	GSH140241AB	
21	0131M00016PS	COND MOTOR 1/6 HP, 1 SP, 8 PL (M3, M4, M6, M7)	M5 -	GSH140241AC	
21	0131M00016PS	COND MOTOR 1/6 HP, 1 SP, 8 PL (M5, M8)	M6 -	GSH140301AA	
41	0163M00006P	ACORN NUT 5/16 HEX BLACK (M1, M2, M3, M4, M5, M6, M7, M8, M9, M10, M11, M12, M13, M14, M15, M16, M17, M18, M19, M20, M21, M22, M24, M25, M26)	M7 -	GSH140301AB	
41	B1783803	ACORN NUT 5/16 HEX YELLOW ZINC (M23)	M8 -	GSH140301AC	
51	10625737S	FAN BLADE 22" ALUM CCW (M1, M2)	M9 -	GSH140361AA	
51	0150M00008S	FAN BLADE 22" TNT2203-25 (M3, M4, M5, M6, M7, M8)	M10 -	GSH140361AB	
51	10625738S	FAN BLADE 26" ALUM CCW (M9, M10, M11, M12, M13, M14, M15, M16, M17, M18, M19, M20, M21, M22, M23, M24, M25, M26)	M11 -	GSH140361AC	
61	0161R00007P	VENTURI RING 35" (M23, M24, M25, M26)	M12 -	GSH140361AD	
111	0121R00025PDGB	LOUVERED SIDE PANEL (M1, M2)	M13 -	GSH140361AE	
111	0121R00027PDGB	LOUVERED SIDE PANEL (M3, M4, M5, M6, M7, M8)	M14 -	GSH140361AF	
111	0121R00043PDGB	LOUVERED SIDE PANEL (M9, M10, M11, M12, M13, M14, M15, M16, M17, M18, M19, M20, M21, M22, M23, M24, M25, M26)	M15 -	GSH140421AA	
121	0121R00031PDGB	LOUVERED SIDE PANEL (M1, M2)	M16 -	GSH140421AB	
121	0121R00033PDGB	LOUVERED SIDE PANEL (M3, M4, M5, M6, M7, M8)	M17 -	GSH140421AC	
121	0121R00047PDGB	LOUVERED SIDE PANEL (M9, M10, M11, M12, M13, M14, M15, M16, M17, M18, M19, M20, M21, M22, M23, M24, M25, M26)	M18 -	GSH140421AD	
131	0121R00037PDG	LOUVERED SIDE PANEL (M1, M2)	M19 -	GSH140481AA	
131	0121R00039PDG	LOUVERED SIDE PANEL (M3, M4, M5, M6, M7, M8)	M20 -	GSH140481AB	
131	0121R00051PDG	LOUVERED SIDE PANEL (M9, M10, M11, M12, M13, M14, M15, M16, M17, M18, M19, M20, M21, M22, M23, M24, M25, M26)	M21 -	GSH140481AC	
141	B1370803	DEFROST THERMOSTAT	M22 -	GSH140481AD	
161	0201R00052S	TUBING ASSY, COND COIL (M6, M7, M8)	M23 -	GSH140601AA	
161	0201R00170S	TUBING ASSY, COND COIL (M26)	M24 -	GSH140601AB	
161	0201R00171S	TUBING ASSY, COND COIL (M14)	M25 -	GSH140601AC	
161	0201R00172S	TUBING ASSY, COND COIL (M18)	M26 -	GSH140601AE	
161	0201R00173S	TUBING ASSY, COND COIL (M22)			
161	1362208	TUBING ASSY, COND COIL (M1, M2)			
161	1362209	TUBING ASSY, COND COIL (M3, M4, M5)			
161	1362210	TUBING ASSY, COND COIL (M9, M10, M11, M12, M13, M15, M16, M17)			
161	1362211	TUBING ASSY, COND COIL (M19, M20, M21, M23, M24, M25)			
NS	0161R00003P	CONDUIT (M1, M2, M3, M4, M5, M6, M7, M8)			
NS	0161R00004P	CONDUIT (M23, M24, M25, M26)			