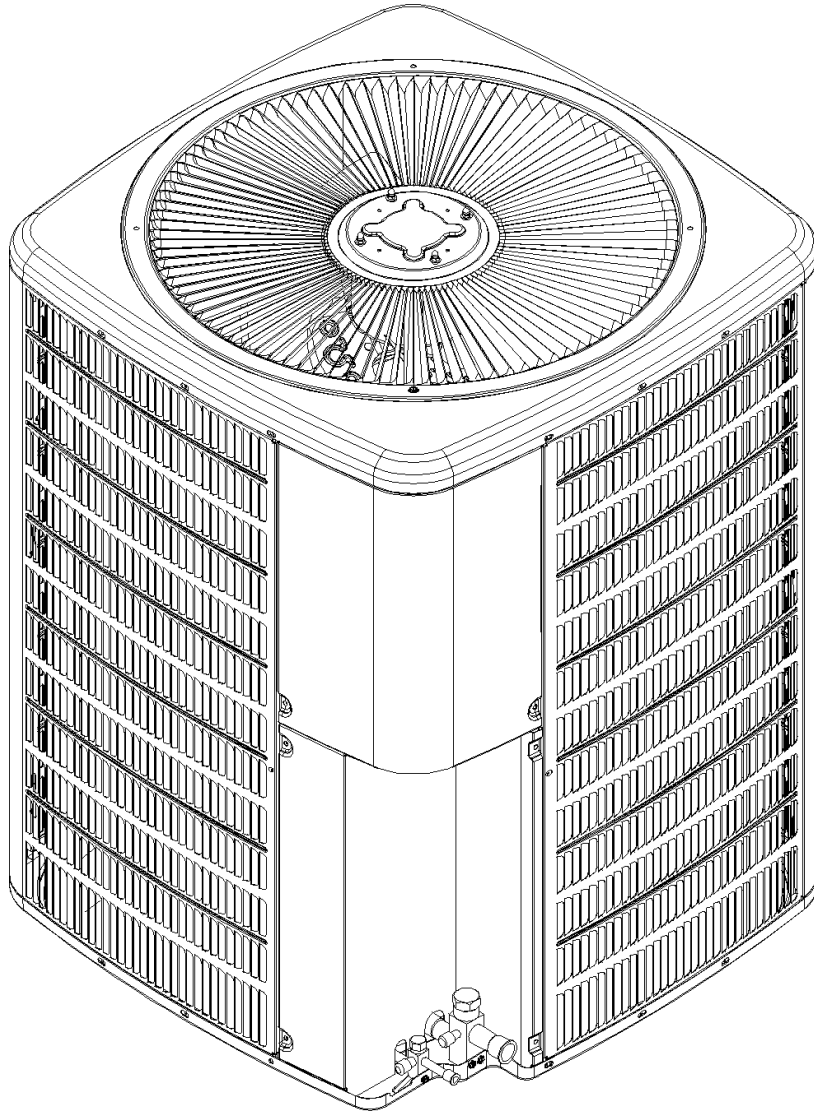


REPAIR PARTS

GSH13 SEER Remote Heat Pumps

GSH130181CC
GSH130241CC
GSH130301CC
GSH130361CD
GSH130363AG
GSH130421BB
GSH130481BB
GSH130483BB
GSH130484AE



This manual is to be used by qualified technicians only.

© 2013 Goodman Manufacturing Company, L.P. ♦ 5151 San Felipe, Suite 500 ♦ Houston, TX 77056

Important Information

Index

Functional Parts List	3
Illustration and Parts	4 - 9

Views shown are for parts illustrations only, not servicing procedures.

Models with 2 Piece Louver Panels

Text Codes:

AR - As Required

NA - Not Available

NS - Not Shown

00000000 - See Note

QTY - Quantity Example (QTY 3) (If Quantity not shown, Quantity = 1)

M - Model Example (M1) (If M Code not shown, then part is used on all Models)

Expanded Model Nomenclature:

Example M1 - Model#1 M2 - Model#2 M3 - Model#3

Goodman Manufacturing Company, L.P. is not responsible for personal injury or property damage resulting from improper service. Review all service information before beginning repairs.

Warranty service must be performed by an authorized technician, using authorized factory parts. If service is required after the warranty expires, Goodman Manufacturing Company, L.P. also recommends contacting an authorized technician and using authorized factory parts.

Goodman Manufacturing Company, L.P. reserves the right to discontinue, or change at any time, specifications or designs without notice or without incurring obligations.

For assistance within the U.S.A. contact:
Consumer Affairs Department
Goodman Manufacturing Company, L.P.
7401 Security Way
Houston, Texas 77040
877-254-4729-Telephone
713-863-2382-Facsimile

For assistance outside the U.S.A. contact:
International Division
Goodman Manufacturing Company, L.P.
7401 Security Way
Houston, Texas 77040
713-861-2500-Telephone
713-863-2382-Facsimile

Functional Parts

Part

No: Description:

Expanded Model Nomenclature

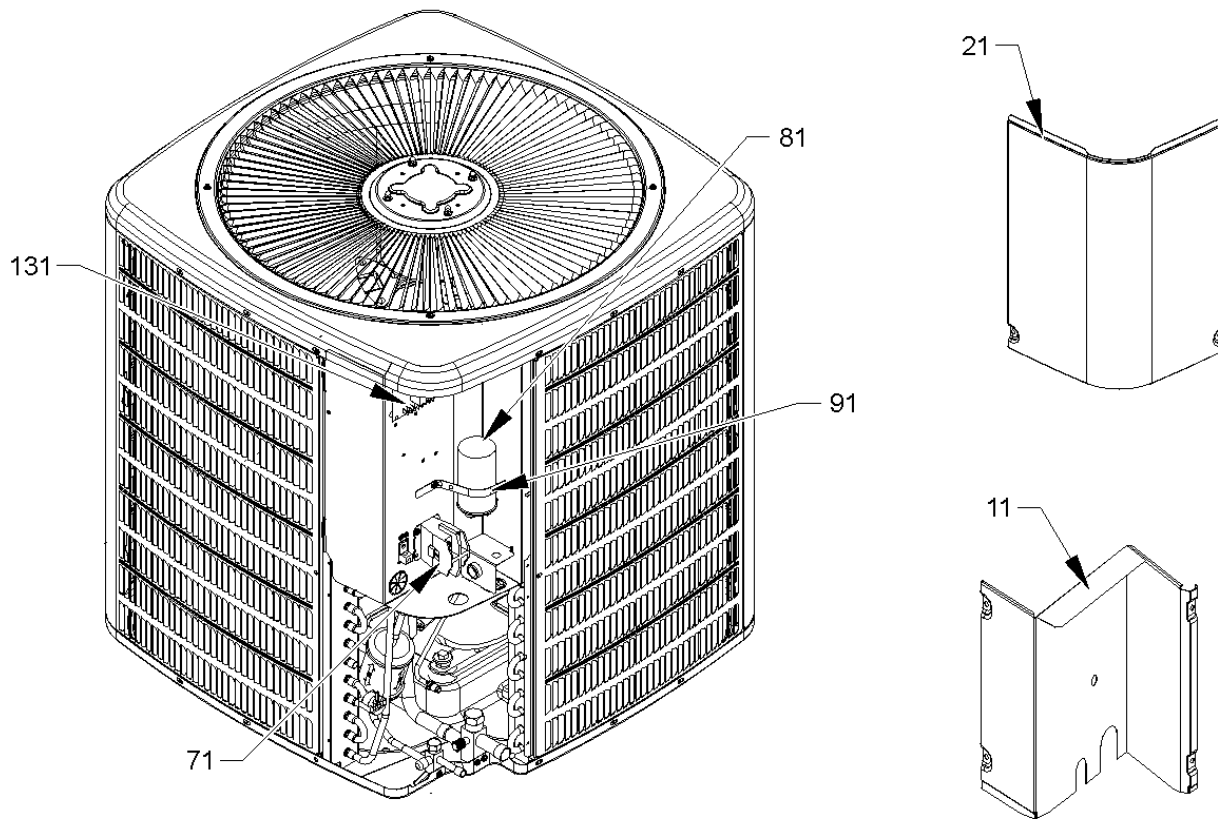
B12825171	3/8 BASE VALVE (OPEN)
CAP050300440RS	CAPACITOR 5/30/370V (M1)
CAP050350440RS	CAPACITOR 5/35/440V (M2)
CAP050000370VA	CAPACITOR 5/370V (M5, M8, M9)
CAP050400440RT	CAPACITOR 5/40/440V (M3)
CAP050450440RT	CAPACITOR 5/45/440V (M4)
CAP050550440RT	CAPACITOR 5/55/440V (M6, M7)
ZR25K5PFV100	COMP, 25300, 208/230/60/1 (M3)
ZR38K5PFV130	COMP, 38000, 208/230/60/1 (M6)
ZR42K5PFV130	COMP, 42200, 208/230/60/1 (M7)
ZR16K5PFV100	COMP, 15500, 208/230/60/1 (M1)
ZR21K5PFV100	COMP, 21000, 208/230/60/1 (M2)
ZR28K5TF5130	COMP, 28400, 200/230/60/3 (M5)
ZR28K5PFV100	COMP, 28500, 208/230/60/1 (M4)
ZR42K5TF5130	COMPRESSOR 42200, 200/230/60/3 (M8)
ZR42K5TFD130	COMPRESSOR 42200, 460/60/3 (M9)
0131M00018P	COND MOTOR 1/4 HP, 1 SP, 6 PL (M4, M5, M6, M7)
0131M00022	COND MOTOR 1/4 HP, 8 PL, 460V (M9)
0131M00061	COND MOTOR, 1/4HP, 1SP, 8PL (M8)
0131M00294	COND MOTOR, 1/8HP, ISP, 6PL (M1, M2, M3)
CONT1P025024V	CONTACTOR 25 AMP, 1P, 24V (M1, M2, M3)
CONT3P025024V	CONTACTOR 25 AMP, 3P, 24V (M5, M8, M9)
CONT1P030024V	CONTACTOR 30 AMP, 1P, 24V (M4, M6, M7)
0130M00105	CONTROL, DEFROST
B1360719	CUT-OUT SWITCH, LOW PRESSURE
0150M00008	FAN BLADE 22" TNT2203-25 (M9)
B1086750	FAN BLADE 22", 3 BLADE, 24° (M4, M5, M7)
B1086765	FAN BLADE TYPE 3 (M8)
0150M00031	FAN BLADE, 20", 3 BLADE, 21DEG (M1)
0150M00033	FAN BLADE, 20", 3 BLADE, 24DEG (M2, M3)
0150M00022	FAN BLADE, 22" (M6)
0163R00004	HEATER CRANKCASE, 460V, 40W (M9)
0163R00007	HEATER, CRANKCASE 230V, 40W (M6, M7, M8)
PCBDM130	PCB, DEFROST CONTROL
0151M00018	REVERSING VALVE (M1, M2)
0151M00021	REVERSING VALVE (M6)
0151M00020	REVERSING VALVE (M4, M5, M7, M8, M9)
0151M00019	REVERSING VALVE (M3)
B1225022	SOLENOID COIL
0151R00032	VALVE, BASE 3/4" OPEN LEFT (M1, M2, M3)
0151R00033	VALVE, BASE 7/8" OPEN LEFT (M4, M5, M6, M7, M8, M9)

M1 - GSH130181CC
M2 - GSH130241CC
M3 - GSH130301CC
M4 - GSH130361CD
M5 - GSH130363AG
M6 - GSH130421BB
M7 - GSH130481BB
M8 - GSH130483BB
M9 - GSH130484AE

SPECIAL PARTS

IO-403E	INSTALL INSTRUCTIONS
0161R00009P	NAMEPLATE

Control Cover/Control Box



Control Cover/Control Box

Ref. Part No: No:	Description:	Ref. Part No: No:	Description:
-------------------	--------------	-------------------	--------------

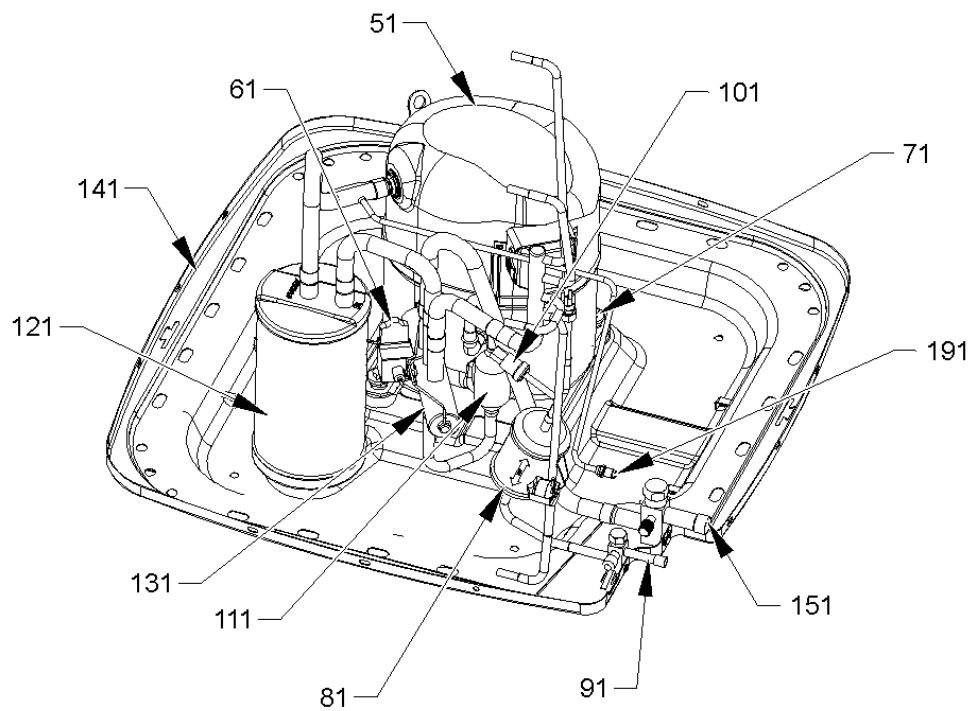
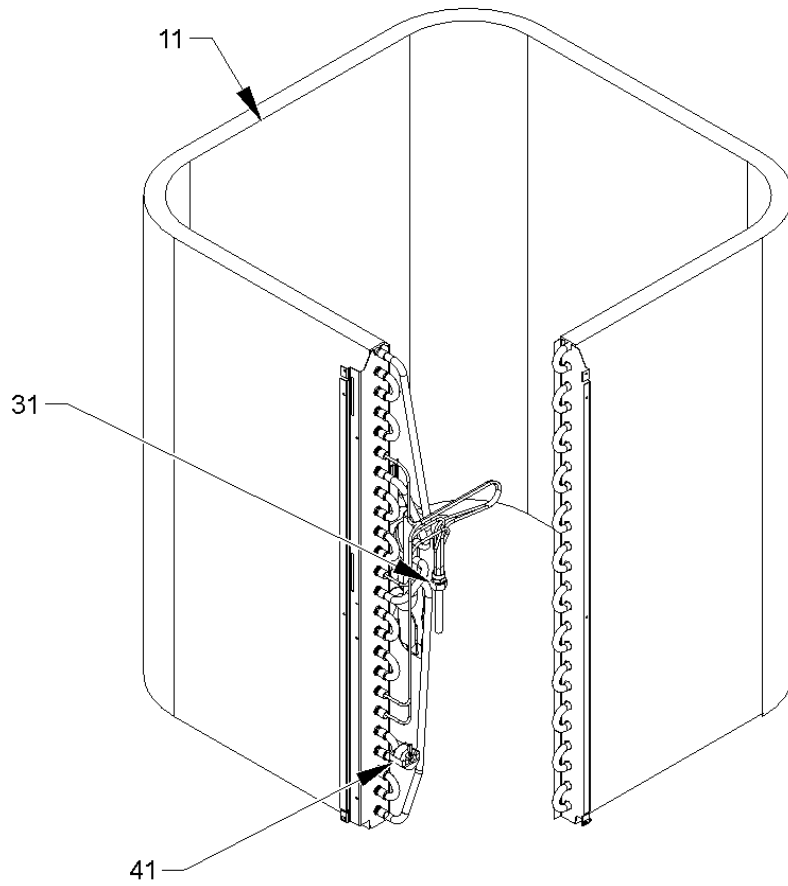
Image 1:

11	0121R00318PDG	PANEL, LOWER ACCESS PNT (M4, M5)
11	0121R00321PDG	PANEL, LOWER ACCESS PNT (M3, M7, M8, M9)
11	0121R00323PDG	PANEL, LOWER ACCESS PNT (M1, M2, M6)
21	0121R00053PDG	CONTROL COVER
71	CONT1P025024V	CONTACTOR 25 AMP, 1P, 24V (M1, M2, M3)
71	CONT3P025024V	CONTACTOR 25 AMP, 3P, 24V (M5, M8, M9)
71	CONT1P030024V	CONTACTOR 30 AMP, 1P, 24V (M4, M6, M7)
81	CAP050300440RS	CAPACITOR 5/30/370V (M1)
81	CAP050350440RS	CAPACITOR 5/35/440V (M2)
81	CAP050000370VA	CAPACITOR 5/370V (M5, M8, M9)
81	CAP050400440RT	CAPACITOR 5/40/440V (M3)
81	CAP050450440RT	CAPACITOR 5/45/440V (M4)
81	CAP050550440RT	CAPACITOR 5/55/440V (M6, M7)
91	4400065	CAPACITOR STRAP
131	PCBDM130	PCB, DEFROST CONTROL

Expanded Model Nomenclature

M1 - GSH130181CC
M2 - GSH130241CC
M3 - GSH130301CC
M4 - GSH130361CD
M5 - GSH130363AG
M6 - GSH130421BB
M7 - GSH130481BB
M8 - GSH130483BB
M9 - GSH130484AE

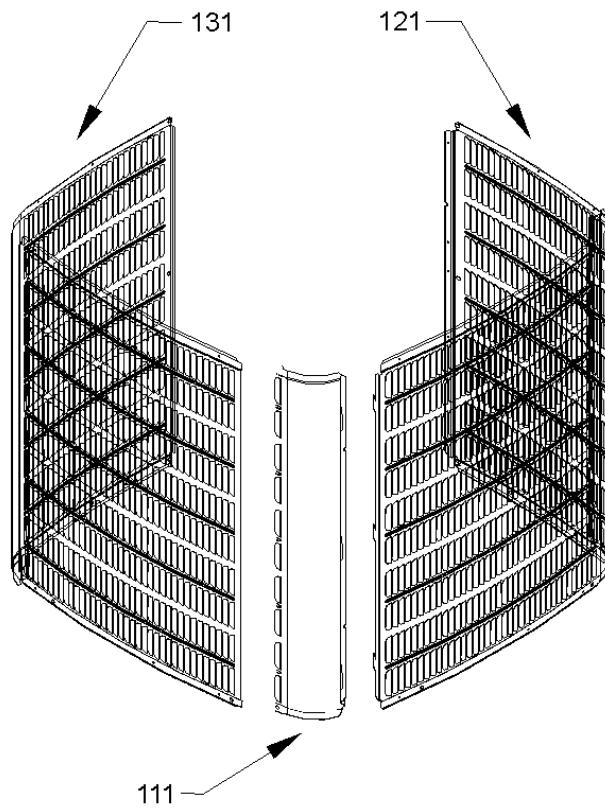
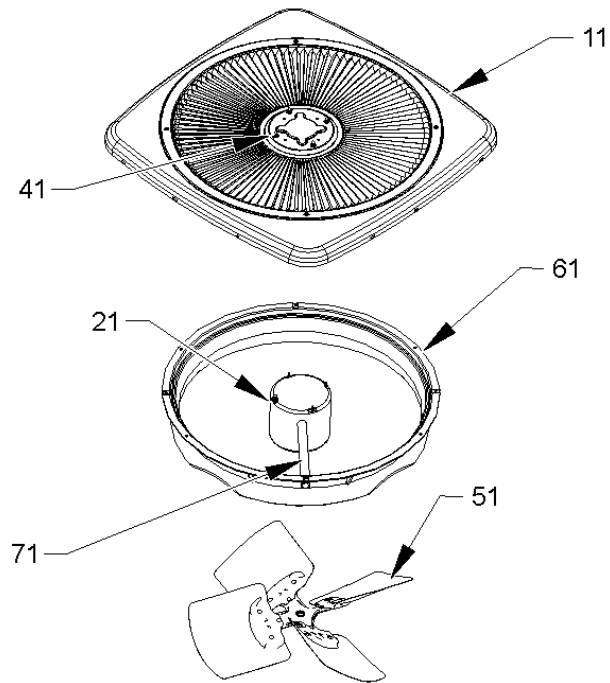
Basepan/Tubing Assembly



Basepan/Tubing Assembly

Ref. Part No: No:	Description:	Ref. Part No: No:	Description:									
<i>Image 1:</i>		<i>Image 1:</i>										
11	0201R00068 TUBING ASSY, COND COIL (M7, M8, M9)	NS	0130M00106 DISCHARGE STAT (M6, M7, M8, M9)									
11	0201R00070 TUBING ASSY, COND COIL (M6)	NS	B1789855 FLOW CHECK PISTON KIT .055 (M1)									
11	0201R00196 TUBING ASSY, COND COIL (M3)	NS	B1789861 FLOW CHECK PISTON KIT .061 (M2)									
11	0201R00207 TUBING ASSY, COND COIL (M1)	NS	B1789870 FLOW CHECK PISTON KIT .070 (M3)									
11	0201R00210 TUBING ASSY, COND COIL (M2)	NS	B1789871 FLOW CHECK PISTON KIT .071 (M4, M5)									
11	0201R00425 TUBING ASSY, COND COIL (M4, M5)	NS	B1789880 FLOW CHECK PISTON KIT .080 (M6)									
31	B1789855 FLOW CHECK PISTON KIT .055 (M1)	NS	B1789884 FLOW CHECK PISTON KIT .084 (M7, M8, M9)									
31	B1789861 FLOW CHECK PISTON KIT .061 (M2)	NS	0163R00004 HEATER CRANKCASE, 460V, 40W (M9)									
31	B1789870 FLOW CHECK PISTON KIT .070 (M3)	NS	0163R00007 HEATER, CRANKCASE 230V, 40W (M6, M7, M8)									
31	B1789871 FLOW CHECK PISTON KIT .071 (M4, M5)	NS	0161R00009P NAMEPLATE									
31	B1789880 FLOW CHECK PISTON KIT .080 (M6)	NS	B1225022 SOLENOID COIL									
31	B1789884 FLOW CHECK PISTON KIT .084 (M7, M8, M9)	Expanded Model Nomenclature										
41	0130M00105 CONTROL, DEFROST	<table border="1"> <tr><td>M1 - GSH130181CC</td></tr> <tr><td>M2 - GSH130241CC</td></tr> <tr><td>M3 - GSH130301CC</td></tr> <tr><td>M4 - GSH130361CD</td></tr> <tr><td>M5 - GSH130363AG</td></tr> <tr><td>M6 - GSH130421BB</td></tr> <tr><td>M7 - GSH130481BB</td></tr> <tr><td>M8 - GSH130483BB</td></tr> <tr><td>M9 - GSH130484AE</td></tr> </table>		M1 - GSH130181CC	M2 - GSH130241CC	M3 - GSH130301CC	M4 - GSH130361CD	M5 - GSH130363AG	M6 - GSH130421BB	M7 - GSH130481BB	M8 - GSH130483BB	M9 - GSH130484AE
M1 - GSH130181CC												
M2 - GSH130241CC												
M3 - GSH130301CC												
M4 - GSH130361CD												
M5 - GSH130363AG												
M6 - GSH130421BB												
M7 - GSH130481BB												
M8 - GSH130483BB												
M9 - GSH130484AE												
51	ZR25K5PFV100 COMP, 25300, 208/230/60/1 (M3)											
51	ZR38K5PFV130 COMP, 38000,208/230/60/1 (M6)											
51	ZR42K5PFV130 COMP, 42200,208/230/60/1 (M7)											
51	ZR16K5PFV100 COMP,15500,208/230/60/1 (M1)											
51	ZR21K5PFV100 COMP,21000,208/230/60/1 (M2)											
51	ZR28K5TF5130 COMP,28400,200/230/60/3 (M5)											
51	ZR28K5PFV100 COMP,28500,208/230/60/1 (M4)											
51	ZR42K5TF5130 COMPRESSOR 42200,200/230/60/3 (M8)											
51	ZR42K5TFD130 COMPRESSOR 42200,460/60/3 (M9)											
61	B1225020 SOLENOID COIL CORD W/1/4"TERMINAL											
71	M0221641 TF SHOULDER SCREW (QTY 4)											
81	20485201 BI-FLOW FILTER DRIER											
91	B12825171 3/8 BASE VALVE (OPEN)											
101	B1360719 CUT-OUT SWITCH, LOW PRESSURE											
111	B1219301 MUFFLER 1/2 X 1/2 (M1, M2, M3, M4, M5)											
121	B1226206 ACCUMULATOR (M1, M2, M3)											
121	B1226207 ACCUMULATOR .875 (M4, M5, M6, M7, M8, M9)											
131	0151M00018 REVERSING VALVE (M1, M2)											
131	0151M00019 REVERSING VALVE (M3)											
131	0151M00020 REVERSING VALVE (M4, M5, M7, M8, M9)											
131	0151M00021 REVERSING VALVE (M6)											
141	0121R00005PDG BASE PAN 26" (M1, M2, M3)											
141	0121R00006PDG BASE PAN 29" (M4, M5, M6, M7, M8, M9)											
151	0151R00032 VALVE, BASE 3/4" OPEN LEFT (M1, M2, M3)											
151	0151R00033 VALVE, BASE 7/8" OPEN LEFT (M4, M5, M6, M7, M8, M9)											
191	B1787000 VALVE CORE											
NS	B1339533 COMPRESSOR GROMMET (QTY 4)											
NS	0159R00000P COMPRESSOR SCROLL HARNESS (M1, M2, M3)											
NS	0159R00002P COMPRESSOR SCROLL HARNESS (M4, M6, M7)											
NS	0159R00008 COMPRESSOR SCROLL HARNESS (M8, M9)											
NS	0159R00009 COMPRESSOR SCROLL HARNESS (M5)											

Cabinet Top/Side Panels



Cabinet Top/Side Panels

Ref. Part No:	Ref. Part No:	Description:	Description:
---------------	---------------	--------------	--------------

Image 1:

11	0121R00008PDG	PANEL, TOP 26" PNT (M1, M2, M3)
11	0121R00010PDG	PANEL, TOP 29" PNT (M4, M5, M6, M7, M8, M9)
21	0131M00018P	COND MOTOR 1/4 HP, 1 SP, 6 PL (M4, M5, M6, M7)
21	0131M00022	COND MOTOR 1/4 HP, 8 PL, 460V (M9)
21	0131M00061	COND MOTOR, 1/4HP, 1SP, 8PL (M8)
21	0131M00294	COND MOTOR, 1/8HP, ISP, 6PL (M1, M2, M3)
41	0163M00006P	ACORN NUT 5/16 HEX BLACK (QTY 4)
51	0150M00008	FAN BLADE 22" TNT2203-25 (M9)
51	B1086750	FAN BLADE 22", 3 BLADE, 24° (M4, M5, M7)
51	B1086765	FAN BLADE TYPE 3 (M8)
51	0150M00031	FAN BLADE, 20", 3 BLADE, 21DEG (M1)
51	0150M00033	FAN BLADE, 20", 3 BLADE, 24DEG (M2, M3)
51	0150M00022	FAN BLADE, 22" (M6)
61	0161L00000	VENTURI RING 22" (M4, M5, M6, M7, M8, M9)
71	0161R00001P	CONDUIT (M1, M2, M3)
71	0161R00002P	CONDUIT (M4, M5, M6, M7, M8, M9)
111	0121R00349PDG	Louver Post, PDG 28.49 (M1, M2, M6)
111	0121R00351PDG	Louver Post, PDG 30.49 (M3, M7, M8, M9)
111	0121R00353PDG	Louver Post, PDG 34.49 (M4, M5)
121	0121R00338PDGR	Louver Panel, PDG 26"_28.49 (M1, M2)
121	0121R00339PDGR	Louver Panel, PDG 26"_30.49 (M3)
121	0121R00341PDGR	Louver Panel, PDG 29"_28.49 (M6)
121	0121R00343PDGR	Louver Panel, PDG 29"_30.49 (M7, M8, M9)
121	0121R00345PDGR	Louver Panel, PDG 29"_34.49 (M4, M5)
131	0121R00338PDGL	Louver Panel, PDG 26"_28.49 (M1, M2)
131	0121R00339PDGL	Louver Panel, PDG 26"_30.49 (M3)
131	0121R00341PDGL	Louver Panel, PDG 29"_28.49 (M6)
131	0121R00343PDGL	Louver Panel, PDG 29"_30.49 (M7, M8, M9)
131	0121R00345PDGL	Louver Panel, PDG 29"_34.49 (M4, M5)

Expanded Model Nomenclature

M1 - GSH130181CC
M2 - GSH130241CC
M3 - GSH130301CC
M4 - GSH130361CD
M5 - GSH130363AG
M6 - GSH130421BB
M7 - GSH130481BB
M8 - GSH130483BB
M9 - GSH130484AE