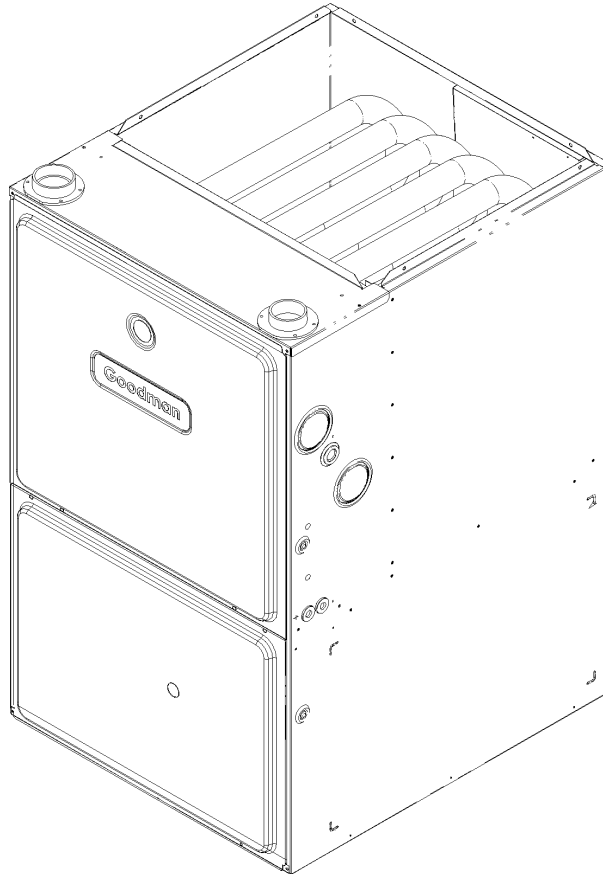


REPAIR PARTS

GMV9* Variable Speed Furnace

GMV90703BXBA
GMV90905CXBA
GMV91155DXBA
GMV950453BXBA
GMV950453BXBB
GMV950704CXBA
GMV950704CXBB
GMV950905DXBA
GMV950905DXBB
GMV951155DXBA
GMV951155DXBB
GMV951155DXBC



Goodman Manufacturing Company, L.P.
5151 San Felipe, Suite 500
Houston, TX 77056

www.goodmanmfg.com



This manual is to be used by qualified technicians only.

RP-413B
August 2007

This manual replaces RP-413A
Copyright © 2005-2008 Goodman Manufacturing Company, L.P.

Important Information

Index

Functional Parts List	3
Illustration and Parts	4 - 11

Views shown are for parts illustrations only, not servicing procedures

Rev. B: Added model GMV951155DXBC.

Text Codes:

AR - As Required

NA - Not Available

NS - Not Shown

00000000 - See Note

QTY - Quantity Example (QTY 3) (If Quantity not shown, Quantity = 1)

M - Model Example (M1) (If M Code not shown, then part is used on all Models)

Expanded Model Nomenclature:

Example M1 - Model#1 M2 - Model#2 M3 - Model#3

Goodman Manufacturing Company, L.P. is not responsible for personal injury or property damage resulting from improper service. Review all service information before beginning repairs.

Warranty service must be performed by an authorized technician, using authorized factory parts. If service is required after the warranty expires, Goodman Manufacturing Company, L.P. also recommends contacting an authorized technician and using authorized factory parts.

Goodman Manufacturing Company, L.P. reserves the right to discontinue, or change at any time, specifications or designs without notice or without incurring obligations.

For assistance within the U.S.A. contact:
Consumer Affairs Department
Goodman Manufacturing Company, L.P.
7401 Security Way
Houston, Texas 77040
877-254-4729-Telephone
713-863-2382-Facsimile

For assistance outside the U.S.A. contact:
International Division
Goodman Manufacturing Company, L.P.
7401 Security Way
Houston, Texas 77040
713-861-2500-Telephone
713-863-2382-Facsimile

Functional Parts

Part

No: Description:

10735102S	BECKETT BURNER (QTY AR)
0130F00010	FLAME SENSOR
0151F00000P	GAS VALVE
0257F00143S	HEAT EXCHANGER ASSY 2B (M4, M5)
0257F00172S	HEAT EXCHANGER ASSY 3B (M1)
0257F00146S	HEAT EXCHANGER ASSY 3B (M6, M7)
0257F00173S	HEAT EXCHANGER ASSY 4B (M2, M8)
0257F00140S	HEAT EXCHANGER ASSY 4B (M9)
0257F00174S	HEAT EXCHANGER ASSY 5B (M3, M10, M11, M12)
20245903S	ID BLOWER
PCBBF106S	IGNITION BOARD, HSI INTEGRATED 2 STG (M12)
PCB00106	IGNITION BOARD, HSI INTEGRATED 2 STG (M1, M2, M3, M4, M5, M6, M7, M8, M9, M10, M11)
20218901	INDUCTOR COIL (M2, M3, M6, M7, M8, M9, M10, M11, M12)
20196402	MANIFOLD (M1, M6, M7)
20196403	MANIFOLD (M2, M8, M9)
20196401	MANIFOLD (M4, M5)
20196404	MANIFOLD (M3, M10, M11, M12)
10123518	MANUAL RESET LIMIT (M4, M5)
10123536	MANUAL RESET LIMIT (M2, M8, M9)
10123533	MANUAL RESET LIMIT (M3, M6, M7, M10, M11, M12)
10123517	MANUAL RESET LIMIT (M1)
10123537	MANUAL RESET LIMIT (M1, M6, M7)
10123535	MANUAL RESET LIMIT (M4, M5)
10123533	MANUAL RESET LIMIT (M3, M10, M11, M12)
10123537	MANUAL RESET LIMIT (M2, M8, M9)
20510318	MOTOR 1 HP (M3, M10, M11, M12)
0231K00036A	MOTOR 1 HP (M8, M9)
0231K00009A	MOTOR 1/2 HP (M1, M4, M5)
0231K00024A	MOTOR 3/4 HP (M6, M7)
0231K00026A	MOTOR 3/4 HP (M2)
10716003	ORIFICE (QTY AR)
20197312	PRESSURE SWITCH (M1, M2)
20197308	PRESSURE SWITCH (M3, M4, M5, M6, M7, M8, M9, M10, M11, M12)
11177113	PRESSURE SWITCH (M4, M5, M6, M7)
11177114	PRESSURE SWITCH (M3, M8, M9, M10, M11, M12)
11177117	PRESSURE SWITCH (M1, M2)
20162907	PRIMARY LIMIT (M6, M7)
20162903	PRIMARY LIMIT (M3, M10, M11)

20162905	PRIMARY LIMIT (M4, M5, M8, M9)
20162904	PRIMARY LIMIT (M1, M2, M12)
0130F00008S	SINI IGNITOR 17 SEC
B1141605	TRANSFORMER 120V TO 24V, 40VA
11118705	WIRING HARNESS 16-PIN
20275905	WIRING HARNESS 5-PIN
0159F00004	WIRING HARNESS MAIN

SPECIAL PARTS

0161F00000P	GOODMAN NAMEPLATE
0142F00003	GOODMAN TAX CREDIT \$200-1 BLUE (M4, M5, M6, M7, M8, M9, M10, M11, M12)
IO-243H	INSTALLATION INSTRUCTIONS (M1, M2, M3)
IO-661	INSTALLATION INSTRUCTIONS
IO-280E	INSTALLATION INSTRUCTIONS (M4, M5, M6, M7, M8, M9, M10, M11, M12)
RP-413B	REPAIR PARTS MANUAL
10195517Q	STANDPIPE BAG ASSY
HI-115A	USERS MANUAL

Expanded Model Nomenclature

M1 - GMV90703BXBA
M2 - GMV90905CXBA
M3 - GMV91155DXBA
M4 - GMV950453BXBA
M5 - GMV950453BXBB
M6 - GMV950704CXBA
M7 - GMV950704CXBB
M8 - GMV950905DXBA
M9 - GMV950905DXBB
M10 - GMV951155DXBA
M11 - GMV951155DXBB
M12 - GMV951155DXBC

Cabinet

Image 1

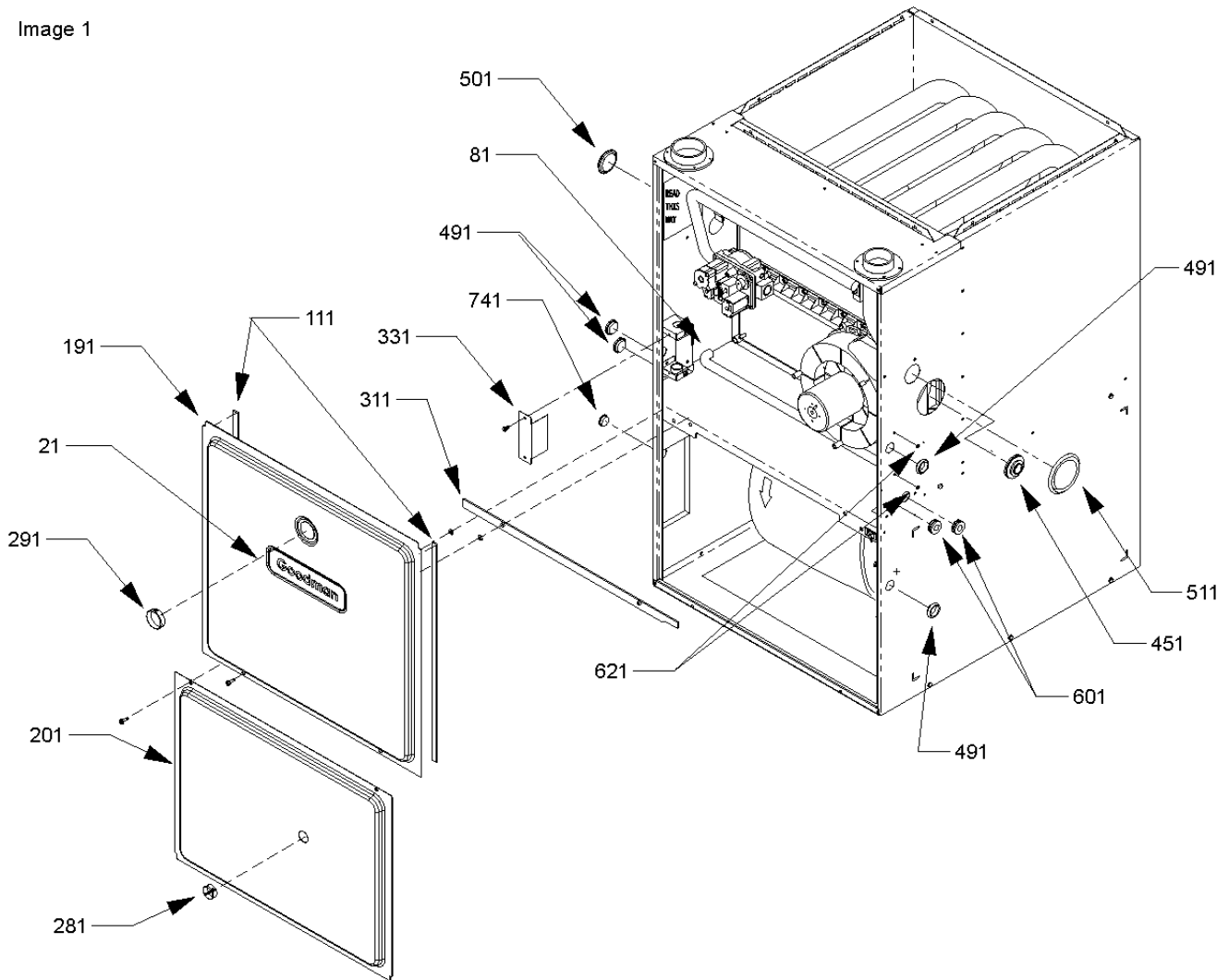
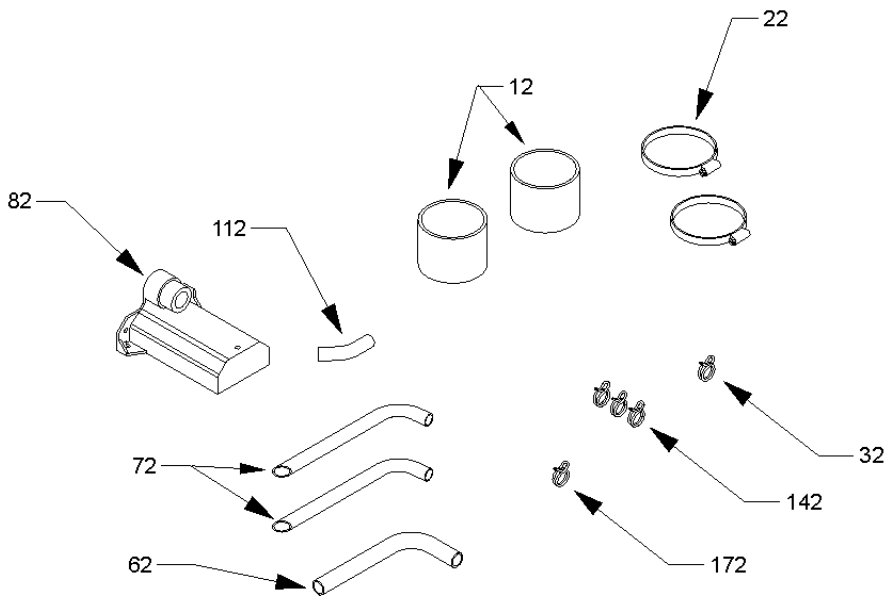


Image 2



Cabinet

Ref Part No:	Description:	Ref. Part No:	Description:
--------------	--------------	---------------	--------------

Image 1:

21	0161F00000P	GOODMAN NAMEPLATE
81	20201902	DRAIN HOSE
111	20179308	GASKET (QTY 2)
191	0121F00072DG	ACCESS DOOR (M1, M4, M5)
191	0121F00073DG	ACCESS DOOR (M2, M6, M7)
191	0121F00074DG	ACCESS DOOR (M3, M8, M9, M10, M11, M12)
201	0121F00069DG	BLOWER DOOR (M1, M4, M5)
201	0121F00070DG	BLOWER DOOR (M2, M6, M7)
201	0121F00071DG	BLOWER DOOR (M3, M8, M9, M10, M11, M12)
281	B1392139	VIEW PORT BUSHING-BLOWER DOOR
291	11104002	VIEWPORT BUSHING-ACCESS DOOR (M1, M2, M3, M4, M6, M8, M10)
311	22320001	DECK GASKET (M1, M4, M5)
311	22320002	DECK GASKET (M2, M6, M7)
311	22320003	DECK GASKET (M3, M8, M9, M10, M11, M12)
331	10736201	HIGH VOLTAGE BOX COVER
451	M0501301	PIPE GROMMET
491	M0570808	BUTTON PLUG (QTY 4)
501	M0570806	BUTTON PLUG
511	M0570807	BUTTON PLUG
601	A4691701	GROMMET (QTY 2)
621	M0310345	BUTTON PLUG (QTY 2)
741	B1392104	UNIVERSAL BUSHING UB 875 (QTY 2)
NS	10195517Q	STANDPIPE BAG ASSY

Expanded Model Nomenclature

M1 - GMV90703BXBA
M2 - GMV90905CXBA
M3 - GMV91155DXBA
M4 - GMV950453BXBA
M5 - GMV950453BXBB
M6 - GMV950704CXBA
M7 - GMV950704CXBB
M8 - GMV950905DXBA
M9 - GMV950905DXBB
M10 - GMV951155DXBA
M11 - GMV951155DXBB
M12 - GMV951155DXBC

Image 2:

12	10254303	RUBBER COUPLING
22	A3326002	HOSE CLAMP (QTY 2)
32	M0119207	HOSE CLAMP
62	20201901	DRAIN HOSE
72	20201802	DRAIN TUBE (QTY 2)
82	20171701	DRAIN TRAP
112	20214203	DRAIN ANGLE
142	M0119205	HOSE CLAMP (QTY 3)
172	M0119206	HOSE CLAMP

Blower Assembly

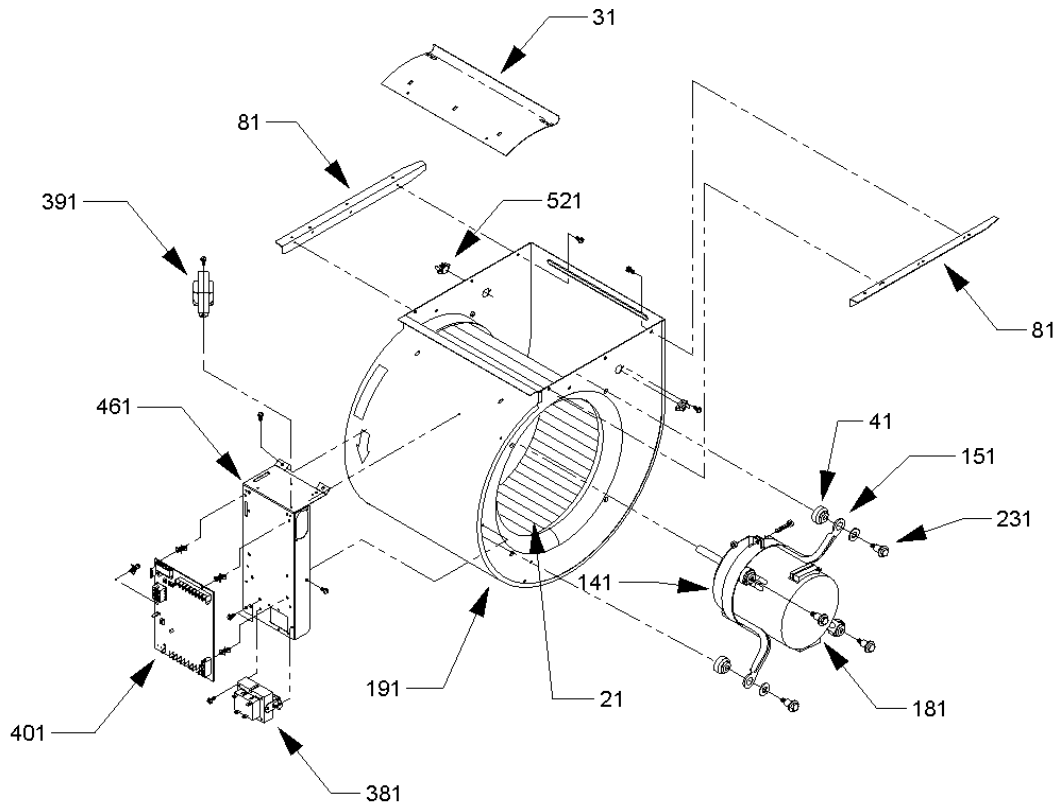
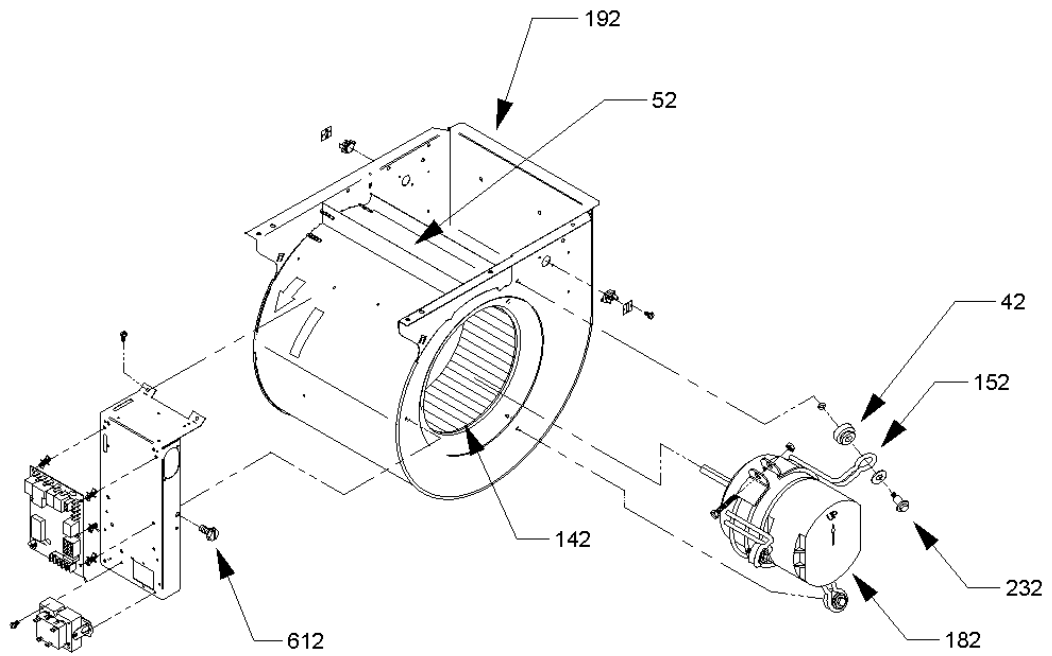


Image 1

Image 2



Blower Assembly

Ref Part No:	Description:	Ref. Part No:	Description:
--------------	--------------	---------------	--------------

Image 1:

21	D6723311S	BLOWER WHEEL (M3, M8, M9, M10, M11, M12)
31	C6121807	CUT-OFF (M3, M8, M9, M10, M11, M12)
41	A4002701	GROMMET (M3, M8, M9, M10, M11, M12)
81	20175101	BLOWER SIDE RAIL (M3, M8, M9, M10, M11, M12)
141	10441601	MOTOR MOUNT BAND (M3, M8, M9, M10, M11, M12)
151	10441501	MOTOR MOUNT ARM (M3, M8, M9, M10, M11, M12)
181	0231K00036A	MOTOR 1 HP (M8, M9)
181	20510318	MOTOR 1 HP (M3, M10, M11, M12)
191	0271F00047	BLOWER HOUSING ASSY 11 X 10 (M3, M8, M9, M10, M11, M12)
231	M0221461	TC SCREW (M3, M8, M9, M10, M11)
381	B1141605	TRANSFORMER 120V TO 24V, 40VA
391	20218901	INDUCTOR COIL (M2, M3, M6, M7, M8, M9, M10, M11, M12)
401	PCB00106	IGNITION BOARD, HSI INTEGRATED 2 STG (M1, M2, M3, M4, M5, M6, M7, M8, M9, M10, M11)
401	PCBBF106S	IGNITION BOARD, HSI INTEGRATED 2 STG (M12)
461	0121F00025P	CONTROL BRACKET
521	10123533	MANUAL RESET LIMIT (M3, M10, M11, M12)
521	10123535	MANUAL RESET LIMIT (M4, M5)
521	10123536	MANUAL RESET LIMIT (M2, M8, M9)
521	10123537	MANUAL RESET LIMIT (M1, M6, M7)
NS	2509503F	ROLLOUT SWITCH BRACKET (M1, M2, M4, M5, M6, M7)
NS	11118705	WIRING HARNESS 16-PIN
NS	20275905	WIRING HARNESS 5-PIN
NS	0159F00004	WIRING HARNESS MAIN

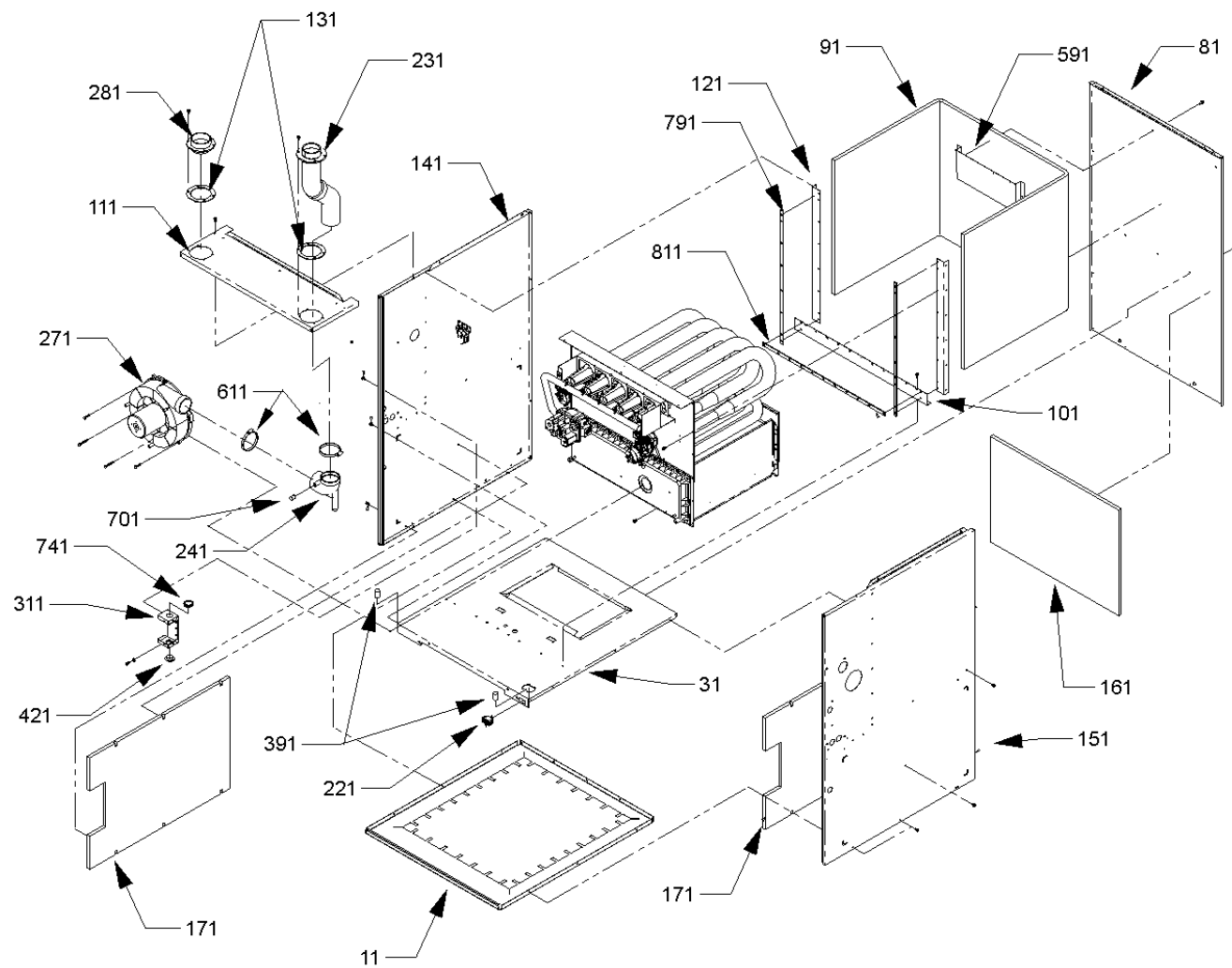
Expanded Model Nomenclature

M1 - GMV90703BXBA
M2 - GMV90905CXBA
M3 - GMV91155DXBA
M4 - GMV950453BXBA
M5 - GMV950453BXBB
M6 - GMV950704CXBA
M7 - GMV950704CXBB
M8 - GMV950905DXBA
M9 - GMV950905DXBB
M10 - GMV951155DXBA
M11 - GMV951155DXBB
M12 - GMV951155DXBC

Image 2:

42	A4002702	GROMMET (M1, M2, M4, M5, M6, M7)
52	764741	BLOWER BLOCK-OFF 10 X 10 (M2, M6, M7)
52	764740F	BLOWER BLOCK-OFF 10 X 8 (M1, M4, M5)
142	D6723310	BLOWER WHEEL (M1, M4, M5)
142	B1368047A	BLOWER WHEEL 10 X 10 (M2, M6, M7)
152	C9443702	MOTOR MOUNT BRACKET (M1, M2, M4, M5, M6, M7)
182	0231K00009A	MOTOR 1/2 HP (M1, M4, M5)
182	0231K00024A	MOTOR 3/4 HP (M6, M7)
182	0231K00026A	MOTOR 3/4 HP (M2)
192	0271F00004P	BLOWER HOUSING ASSY 10 X 10 (M2, M6, M7)
192	0271F00002P	BLOWER HOUSING ASSY 10 X 8 (M1, M4, M5)
232	M0221461	TC SCREW (M1, M2, M4, M5, M6, M7, M12)
612	M0250558	TC SCREW (M1, M2, M4, M5, M6, M7)

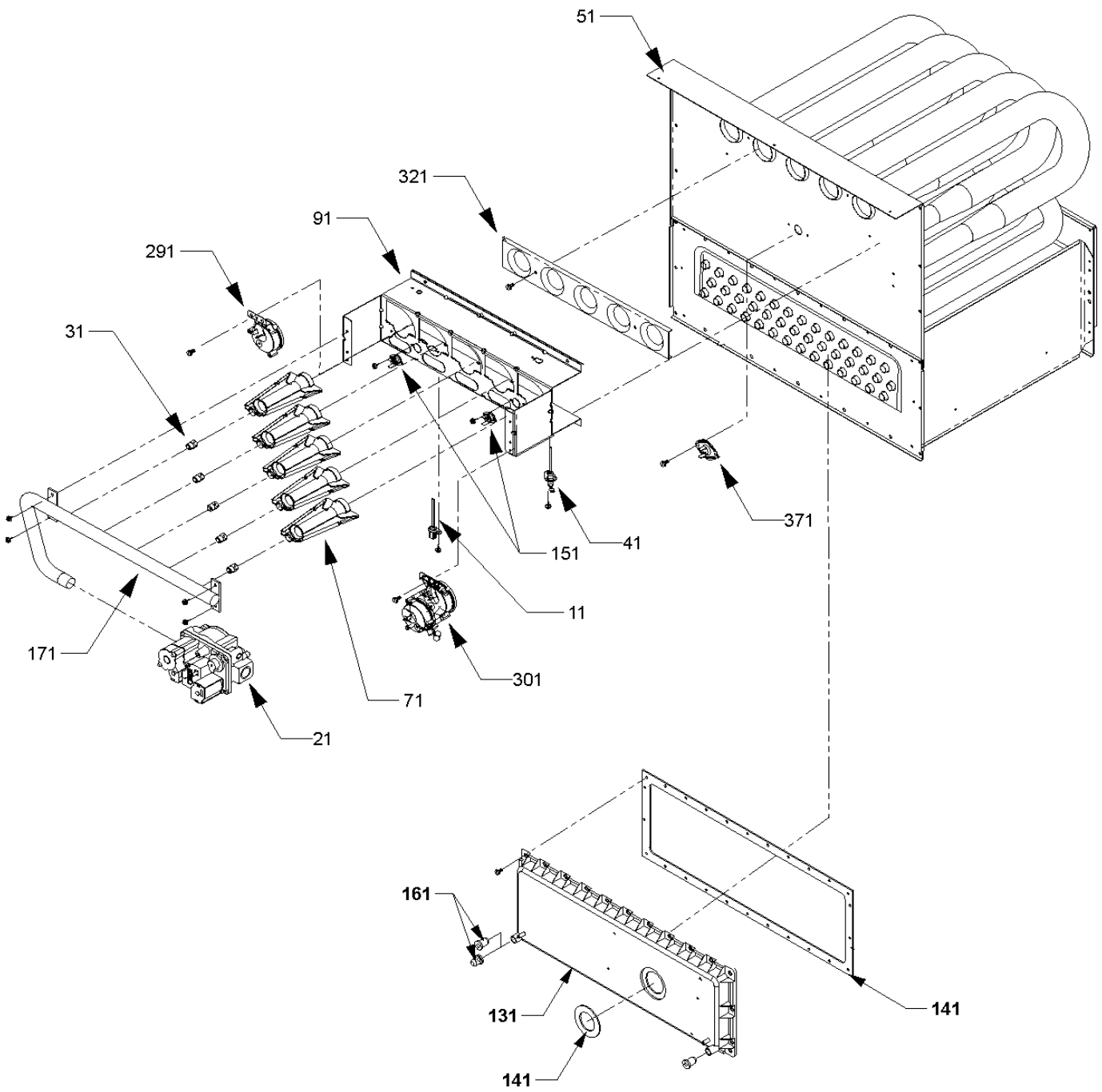
Chassis



Chassis

Ref Part No:	Description:	Ref. Part No:	Description:												
<i>Image 1:</i>		811 20194606	GASKET (M2, M6, M7)												
11 0121F00050DG	BASEPAN (M1, M4, M5)	811 20194607	GASKET (M3, M8, M9, M10, M11, M12)												
11 0121F00051DG	BASEPAN (M2, M6, M7)	Expanded Model Nomenclature													
11 0121F00052DG	BASEPAN (M3, M8, M9, M10, M11, M12)	<table border="1"> <tr><td>M1 - GMV90703BXBA</td></tr> <tr><td>M2 - GMV90905CXBA</td></tr> <tr><td>M3 - GMV91155DXBA</td></tr> <tr><td>M4 - GMV950453BXBA</td></tr> <tr><td>M5 - GMV950453BXBB</td></tr> <tr><td>M6 - GMV950704CXBA</td></tr> <tr><td>M7 - GMV950704CXBB</td></tr> <tr><td>M8 - GMV950905DXBA</td></tr> <tr><td>M9 - GMV950905DXBB</td></tr> <tr><td>M10 - GMV951155DXBA</td></tr> <tr><td>M11 - GMV951155DXBB</td></tr> <tr><td>M12 - GMV951155DXBC</td></tr> </table>		M1 - GMV90703BXBA	M2 - GMV90905CXBA	M3 - GMV91155DXBA	M4 - GMV950453BXBA	M5 - GMV950453BXBB	M6 - GMV950704CXBA	M7 - GMV950704CXBB	M8 - GMV950905DXBA	M9 - GMV950905DXBB	M10 - GMV951155DXBA	M11 - GMV951155DXBB	M12 - GMV951155DXBC
M1 - GMV90703BXBA															
M2 - GMV90905CXBA															
M3 - GMV91155DXBA															
M4 - GMV950453BXBA															
M5 - GMV950453BXBB															
M6 - GMV950704CXBA															
M7 - GMV950704CXBB															
M8 - GMV950905DXBA															
M9 - GMV950905DXBB															
M10 - GMV951155DXBA															
M11 - GMV951155DXBB															
M12 - GMV951155DXBC															
31 0121F00043	BLOWER DECK 17.5" (M1, M4, M5)														
31 0121F00045	BLOWER DECK 20" (M2, M6, M7)														
31 0121F00048	BLOWER DECK 24.5" (M3, M8, M9, M10, M11, M12)														
81 20273208	BACK PANEL (M1, M4, M5)														
81 20273210	BACK PANEL (M2, M6, M7)														
81 20273212	BACK PANEL (M3, M8, M9, M10, M11, M12)														
91 C6415909	HEAT EXCHANGER INSULATION (M3, M8, M9, M10, M11, M12)														
91 C6415910	HEAT EXCHANGER INSULATION (M1, M4, M5)														
91 C6415911	HEAT EXCHANGER INSULATION (M2, M6, M7)														
101 0121F00018P	DECK RAIL (M1, M4, M5)														
101 0121F00019P	DECK RAIL (M2, M6, M7)														
101 20191303	DECK RAIL (M3, M8, M9, M10, M11, M12)														
111 0270F00001PS	TOP COVER ASSY (M2, M6, M7)														
111 0270F00002PS	TOP COVER ASSY (M3, M8, M9, M10, M11, M12)														
111 0270F00100PS	TOP COVER ASSY (M1, M4, M5)														
121 20191602	SIDE RAIL (M1, M4, M5)														
121 20191603	SIDE RAIL (M2, M6, M7)														
121 20191604	SIDE RAIL (M3, M8, M9, M10, M11, M12)														
131 0154F00000P	COIL GASKET (M1, M4, M5)														
131 0154F00001P	COIL GASKET (M2, M6, M7)														
131 0154F00002P	COIL GASKET (M3, M8, M9, M10, M11, M12)														
141 0121F00092DG	LEFT SIDE PANEL														
151 0121F00090DG	RIGHT SIDE PANEL														
161 20006601	INSULATION (M1, M4, M5)														
161 20006602	INSULATION (M2, M6, M7)														
161 20006603	INSULATION (M3, M8, M9, M10, M11, M12)														
171 20243503	SIDE INSULATION (QTY 2)														
221 B1370818	INTERLOCK SWITCH														
231 22309501	FLUE PIPE														
241 20171802	ELBOW														
271 20245903S	ID BLOWER														
281 20049701	FA COUPLING														
311 10736102	HIGH VOLTAGE BOX														
391 M0275521	PLASTIC SEALER														
421 A4554801	SNAP BUSHING														
591 11165107	ID BLOWER SHIELD														
611 A3326002	HOSE CLAMP (QTY 2)														
701 M0326804	TUBE PLUG														
741 B1392104	UNIVERSAL BUSHING UB 875 (QTY 2)														
791 20194608	GASKET (QTY 2)														
811 20194605	GASKET (M1, M4, M5)														

Heat Exchanger Assy/Manifold/Gas Valve



Heat Exchanger Assy/Manifold/Gas Valve

Ref Part No:	Description:	Ref. Part No:	Description:
<i>Image 1:</i>		371 20162905	PRIMARY LIMIT (M4, M5, M8, M9)
11 0130F00008S	SINI IGNITOR 17 SEC	371 20162907	PRIMARY LIMIT (M6, M7)
21 0151F00000P	GAS VALVE	NS 0164M00007	PRESSURE SWITCH HOSE (M1, M2, M3, M5, M6, M7, M8, M9, M10, M11, M12)
31 10716003	ORIFICE (QTY AR)	NS 0164M00011	PRESSURE SWITCH HOSE (M4, M5)
41 0130F00010	FLAME SENSOR	NS 0164M00012	PRESSURE SWITCH HOSE (M1)
51 0257F00143S	HEAT EXCHANGER ASSY 2B (M4, M5)	NS 0164M00013	PRESSURE SWITCH HOSE (M2, M6, M7)
51 0257F00146S	HEAT EXCHANGER ASSY 3B (M6, M7)	NS 0164M00014	PRESSURE SWITCH HOSE (M3, M8, M9, M10, M11, M12)
51 0257F00172S	HEAT EXCHANGER ASSY 3B (M1)	NS 0164M00019	PRESSURE SWITCH HOSE 6" (M4)
51 0257F00140S	HEAT EXCHANGER ASSY 4B (M9)		
51 0257F00173S	HEAT EXCHANGER ASSY 4B (M2, M8)		
51 0257F00174S	HEAT EXCHANGER ASSY 5B (M3, M10, M11, M12)		
71 10735102S	BECKETT BURNER (QTY AR)		
91 20190410	BURNER BRACKET 2B (M4, M5)		
91 20190411	BURNER BRACKET 3B (M1, M6, M7)		
91 20190412	BURNER BRACKET 4B (M2, M8, M9)		
91 20190413	BURNER BRACKET 5B (M3, M10, M11, M12)		
131 20170804A	FRONT COVER (M4, M5)		
131 20170805A	FRONT COVER (M1)		
131 20170903AS	FRONT COVER (M6, M7)		
131 20170904AS	FRONT COVER (M2)		
131 20171003AS	FRONT COVER (M8, M9)		
131 20171004AS	FRONT COVER (M3, M10, M11, M12)		
141 0154F00000P	COIL GASKET (M1, M4, M5)		
141 0154F00001P	COIL GASKET (M2, M6, M7)		
141 0154F00002P	COIL GASKET (M3, M8, M9, M10, M11, M12)		
151 10123517	MANUAL RESET LIMIT (M1)		
151 10123518	MANUAL RESET LIMIT (M4, M5)		
151 10123533	MANUAL RESET LIMIT (M3, M6, M7, M10, M11, M12)		
151 10123537	MANUAL RESET LIMIT (M2, M8, M9)		
161 M0326804	TUBE PLUG (QTY 3)		
171 20196401	MANIFOLD (M4, M5)		
171 20196402	MANIFOLD (M1, M6, M7)		
171 20196403	MANIFOLD (M2, M8, M9)		
171 20196404	MANIFOLD (M3, M10, M11, M12)		
291 20197308	PRESSURE SWITCH (M3, M4, M5, M6, M7, M8, M9, M10, M11, M12)		
291 20197312	PRESSURE SWITCH (M1, M2)		
301 11177113	PRESSURE SWITCH (M4, M5, M6, M7)		
301 11177114	PRESSURE SWITCH (M3, M8, M9, M10, M11, M12)		
301 11177117	PRESSURE SWITCH (M1, M2)		
321 11072201	ORIFICE SHIELD (M4, M5)		
321 11072202	ORIFICE SHIELD (M1, M6, M7)		
321 11072203	ORIFICE SHIELD (M2, M8, M9)		
321 11072204	ORIFICE SHIELD (M3, M10, M11, M12)		
371 20162903	PRIMARY LIMIT (M3, M10, M11)		
371 20162904	PRIMARY LIMIT (M1, M2, M12)		

Expanded Model Nomenclature

M1 - GMV90703BXBA
M2 - GMV90905CXBA
M3 - GMV91155DXBA
M4 - GMV950453BXBA
M5 - GMV950453BXBB
M6 - GMV950704CXBA
M7 - GMV950704CXBB
M8 - GMV950905DXBA
M9 - GMV950905DXBB
M10 - GMV951155DXBA
M11 - GMV951155DXBB
M12 - GMV951155DXBC