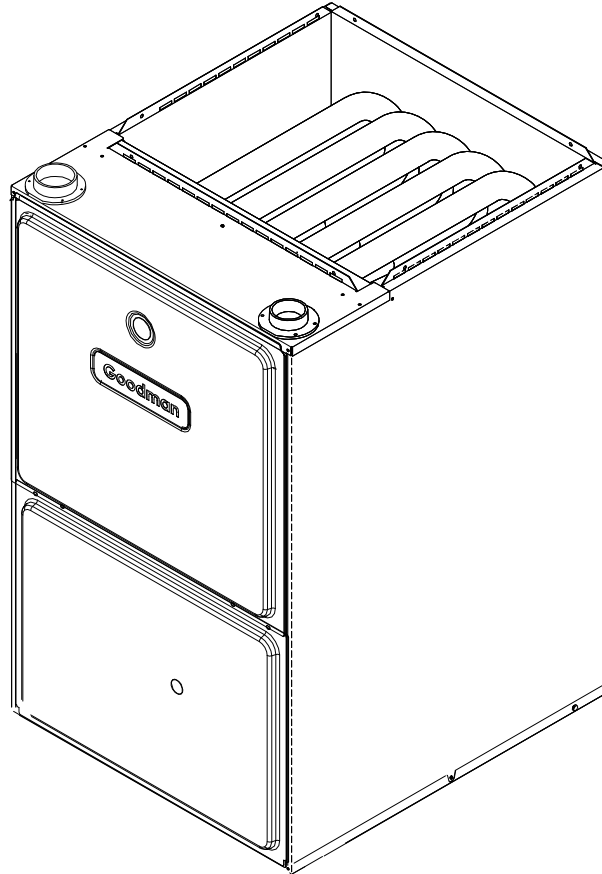


REPAIR PARTS

GMS9*XA Gas Furnace

GMS90453BXA P1256801F
GMS90453BXA P1256807F
GMS90703BXA P1256802F
GMS90703BXA P1256808F
GMS90904CXA P1256804F
GMS90904CXA P1256809F
GMS91155DXA P1256806F



Goodman Manufacturing Company, L.P.
5151 San Felipe, Suite 500
Houston, TX 77056

www.goodmanmfg.com



This manual is to be used by qualified technicians only.

RP-257C
September 2006

This manual replaces RP-257B.
Copyright © 2005-2008 Goodman Manufacturing Company, L.P.

Important Information

Index

Functional Parts List	3
Illustration and Parts	4 - 11

Views shown are for parts illustrations only, not servicing procedures

Rev. C: Added models GMS90453BXA, GMS90703BXA, and GMS90904CXA.

Text Codes:

AR - As Required

NA - Not Available

NS - Not Shown

00000000 - See Note

QTY - Quantity Example (QTY 3) (If Quantity not shown, Quantity = 1)

M - Model Example (M1) (If M Code not shown, then part is used on all Models)

Expanded Model Nomenclature:

Example

M1 - Model#1

M2 - Model#2

M3 - Model#3

Goodman Manufacturing Company, L.P. is not responsible for personal injury or property damage resulting from improper service. Review all service information before beginning repairs.

Warranty service must be performed by an authorized technician, using authorized factory parts. If service is required after the warranty expires, Goodman Manufacturing Company, L.P. also recommends contacting an authorized technician and using authorized factory parts.

Goodman Manufacturing Company, L.P. reserves the right to discontinue, or change at any time, specifications or designs without notice or without incurring obligations.

For assistance within the U.S.A. contact:

Consumer Affairs Department

Goodman Manufacturing Company, L.P.

7401 Security Way

Houston, Texas 77040

877-254-4729-Telephone

713-863-2382-Facsimile

For assistance outside the U.S.A. contact:

International Division

Goodman Manufacturing Company, L.P.

7401 Security Way

Houston, Texas 77040

713-861-2500-Telephone

713-863-2382-Facsimile

Functional Parts

Part No: **Description:**

10735102S	BECKETT BURNER (QTY AR)
PCBBF112S	BOARD, CTRL INTEGRATED H.S.I.
CAP150000370VAS	CAPACITOR (M4)
CAP200000370VAS	CAPACITOR (M3, M7)
CAP125000370VAS	CAPACITOR (M1, M2, M5, M6)
0130F00010	FLAME SENSOR
B1282628	GAS VALVE
0257F00143S	HEAT EXCHANGER ASSY 2B (M1, M5)
20317342	HEAT EXCHANGER ASSY 3B (M2, M6)
0257F00173S	HEAT EXCHANGER ASSY 4B (M3, M7)
0257F00174S	HEAT EXCHANGER ASSY 5B (M4)
22307501S	I.D. BLOWER
20165703S	IGNITOR
B1370818	INTERLOCK SWITCH
20162904	LIMIT (M1, M3, M5, M7)
20162906	LIMIT (M4)
20162903	LIMIT (M2, M6)
10123535	LIMIT, RESET MANUAL (M1, M2, M3, M5, M6, M7)
10123519	LIMIT, RESET MANUAL (M4)
10123533	LIMIT, RESET MANUAL (QTY AR)
20196402	MANIFOLD (M2, M6)
20196404	MANIFOLD (M4)
20196401	MANIFOLD (M1, M5)
20196403	MANIFOLD (M3, M7)
10759415S	MOTOR, BLOWER 3/4 HP (M4)
B1340024S	MOTOR, DIRECT DRIVE 1/2 HP (M3, M7)
B1340025S	MOTOR, DIRECT DRIVE 1/3 HP (M1, M2, M5, M6)
10716003	ORIFICE (QTY AR)
0130F00004	PRESSURE SWITCH (M6)
20197312	PRESSURE SWITCH (M1, M5)
20197310	PRESSURE SWITCH (M2, M3, M4, M7)
B1141605	TRANSFORMER, 120V TO 24V, 40VA
0159F00000	WIRING HARNESS

SPECIAL PARTS

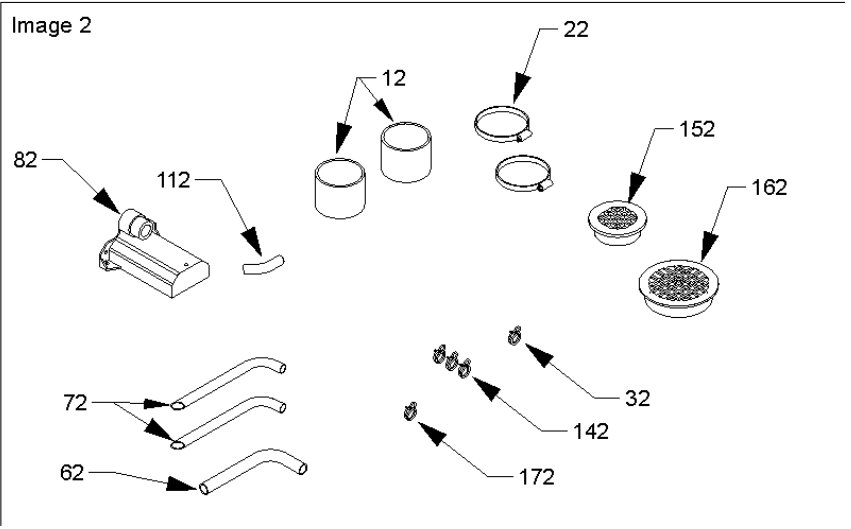
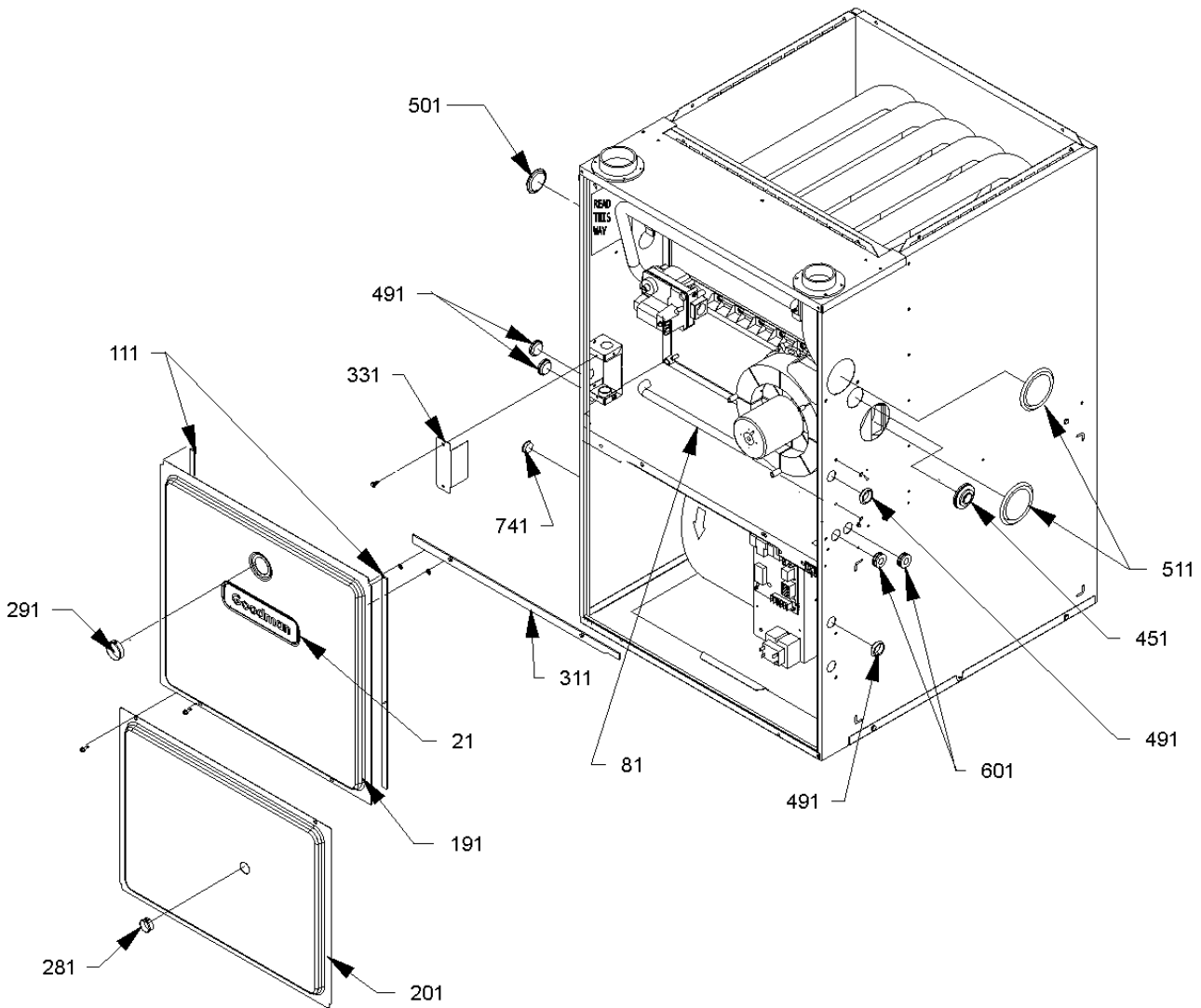
HI-115A	HOMEOWNERS INSTRUCTIONS
IO-661	INSTALLATION INSTRUCTIONS
IO-244E	INSTALLATION INSTRUCTIONS
22323501	INSTALLATION-HUMIDIFIER
0161F00000P	NAMEPLATE, GOODMAN
RP-257C	REPAIR PARTS MANUAL
10195517Q	STANDPIPE BAG ASSY

Expanded Model Nomenclature

M1 - GMS90453BXA	P1256801F
M2 - GMS90703BXA	P1256802F
M3 - GMS90904CXA	P1256804F
M4 - GMS91155DXA	P1256806F
M5 - GMS90453BXA	P1256807F
M6 - GMS90703BXA	P1256808F
M7 - GMS90904CXA	P1256809F

Cabinet

Image 1



Cabinet

Ref. Part No:	Ref. Part No:	Description:	Description:
---------------	---------------	--------------	--------------

Image 1:

21	0161F00000P	NAMEPLATE, GOODMAN
81	20201902	DRAIN HOSE
111	20179308	GASKET (QTY 2)
191	0121F00072DG	ACCESS DOOR (M1, M2, M5, M6)
191	0121F00073DG	ACCESS DOOR (M3, M7)
191	0121F00074DG	ACCESS DOOR (M4)
201	0121F00069DG	BLOWER DOOR (M1, M2, M5, M6)
201	0121F00070DG	BLOWER DOOR (M3, M7)
201	0121F00071DG	BLOWER DOOR (M4)
281	B1392139	VIEW PORT BUSHING-BLOWER DOOR
291	11104002	VIEWPORT BUSHING-ACCESS DOOR
311	22320001	DECK GASKET (M1, M2, M5, M6)
311	22320002	DECK GASKET (M3, M7)
311	22320003	DECK GASKET (M4)
331	10736201	COVER, HIGH VOLTAGE BOX
451	M0501301	PIPE GROMMET
491	M0570808	BUTTON PLUG (QTY 4)
501	M0570806	BUTTON PLUG
511	M0570807	BUTTON PLUG (QTY AR)
601	A4691701	GROMMET (QTY AR)
621	M0310345	BUTTON PLUG (QTY 2)
741	B1392104	UNIVERSAL BUSHING UB 875 (QTY 2)

Image 2:

12	10254303	RUBBER COUPLING
22	A3326002	HOSE CLAMP (QTY 2)
32	M0119207	HOSE CLAMP
62	20201901	DRAIN HOSE
72	20201802	DRAIN TUBE (QTY 2)
82	20171701	DRAIN TRAP
112	20214203	DRAIN ANGLE
142	M0119205	HOSE CLAMP (QTY 3)
152	B2810816	2" MESH INSERT
162	B2810814	3" MESH INSERT
172	M0119206	HOSE CLAMP

Expanded Model Nomenclature

M1 - GMS90453BXA	P1256801F
M2 - GMS90703BXA	P1256802F
M3 - GMS90904CXA	P1256804F
M4 - GMS91155DXA	P1256806F
M5 - GMS90453BXA	P1256807F
M6 - GMS90703BXA	P1256808F
M7 - GMS90904CXA	P1256809F

Blower Assembly

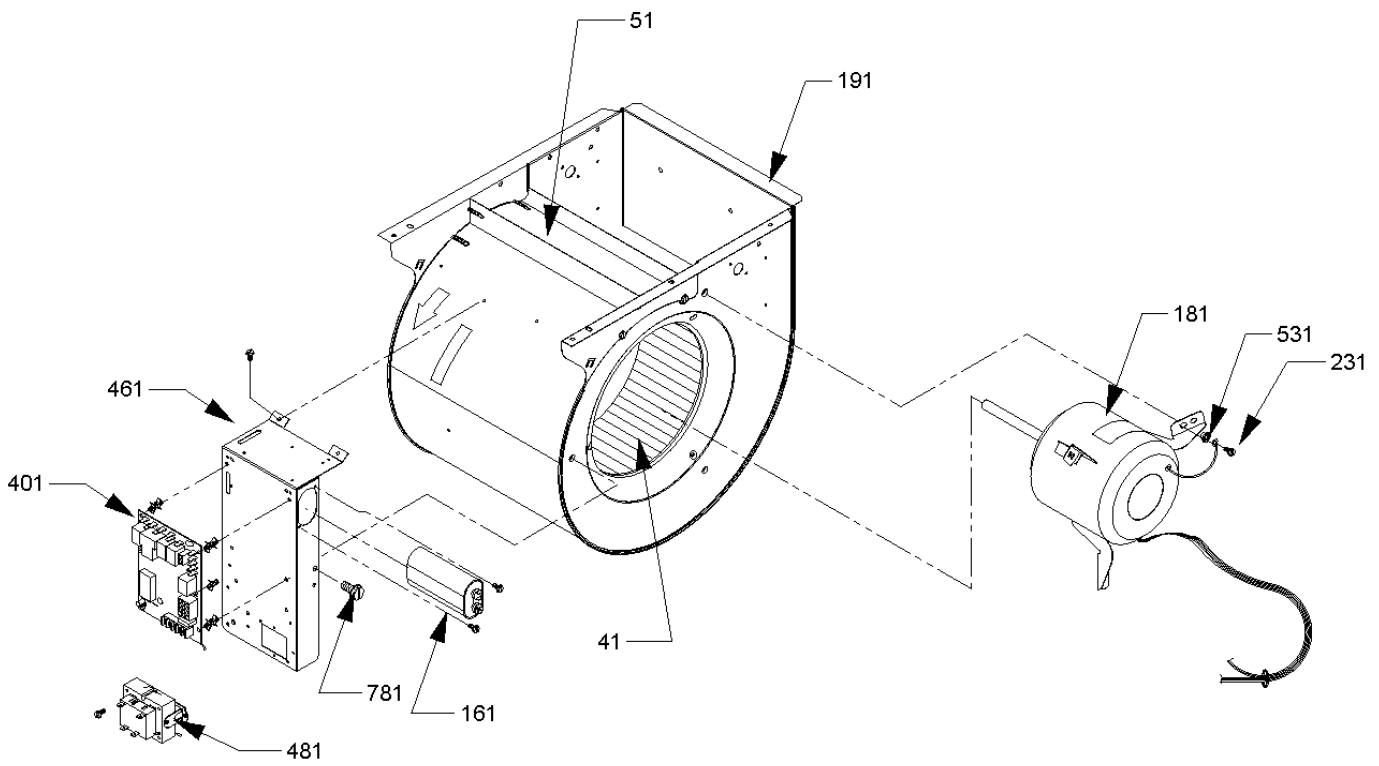
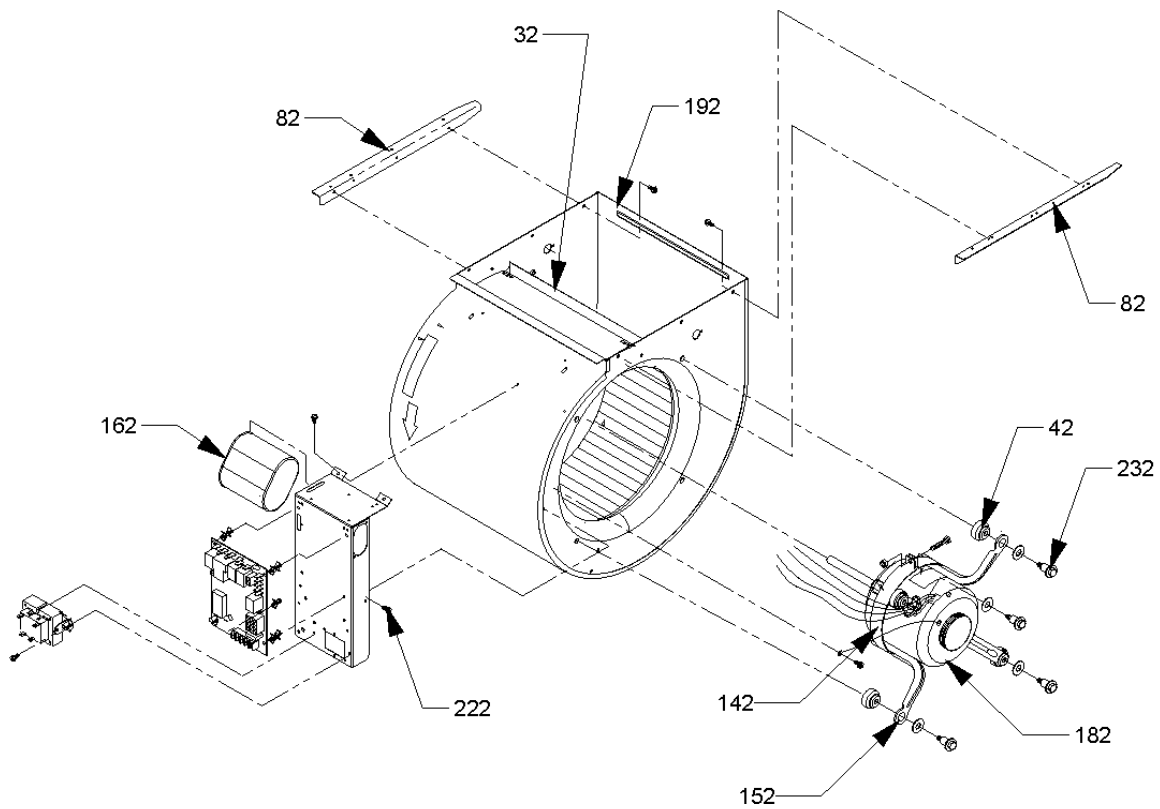


Image 1

Image 2



Blower Assembly

Ref. Part No:	Part No:	Description:	Ref. Part No:	Part No:	Description:
---------------	----------	--------------	---------------	----------	--------------

Image 1:

41	D6723311S	BLOWER WHEEL (M4)
41	B1368047	BLOWER WHEEL 10 X 10 (M3,M7)
41	B1368058S	BLOWER WHEEL 10 X 8 (M1, M2,M5,M6)
51	764741	BLOWER BLOCK-OFF 10 X 10 (M7)
51	764740F	BLOWER BLOCK-OFF 10 X 8 (M5, M6)
161	CAP125000370VAS	CAPACITOR (M1, M2, M5, M6)
161	CAP200000370VAS	CAPACITOR (M3, M7)
181	B1340024S	MOTOR, DIRECT DRIVE 1/2 HP (M3, M7)
181	B1340025S	MOTOR, DIRECT DRIVE 1/3 HP (M1, M2, M5, M6)
181	0159F00000	WIRING HARNESS
191	11185819	BLOWER HOUSING ASSY (M1, M2)
191	0271F00003P	BLOWER HOUSING ASSY 10 X 10 (M7)
191	0271F00000P	BLOWER HOUSING ASSY 10 X 8 (M5, M6)
231	M0250558	SCREW-TC (M5, M6, M7)
401	PCBBF112S	BOARD, CTRL INTEGRATED H.S.I.
461	0121F00025P	CONTROL BRACKET
481	B1141605	TRANSFORMER, 120V TO 24V, 40VA
531	B1392143	GROMMET, 26TAL F/TORSIN FLEX (M1, M2, M3, M5, M6, M7)
781	M0227803	SCREW-TC

Image 2:

32	C6121807	CUT-OFF (M4)
32	C6121807	CUT-OFF (M3)
32	C6121810	CUT-OFF (M1, M2)
42	A4002701	GROMMET (M4)
82	20175101	RAIL, BLOWER SIDE (M1, M2)
82	20175101	RAIL, BLOWER SIDE (M3, M4)
142	10441601	MOTOR MOUNT BAND (M4)
152	10441501	MOTOR MOUNT ARM (M4)
162	CAP150000370VAS	CAPACITOR (M4)
182	10759415S	MOTOR, BLOWER 3/4 HP (M4)
192	11185807	BLOWER HOUSING ASSY (M4)
192	11185815	BLOWER HOUSING ASSY (M3)
192	0271F00048	BLOWER HOUSING ASSY 11X10 (M4)
222	M0253516	SCREW-TR (M1, M2, M3, M4)
232	M0221461	SCREW-TC (M4)
232	M0250558	SCREW-TC (M1, M2, M3)

Expanded Model Nomenclature

M1 - GMS90453BXA	P1256801F
M2 - GMS90703BXA	P1256802F
M3 - GMS90904CXA	P1256804F
M4 - GMS91155DXA	P1256806F
M5 - GMS90453BXA	P1256807F
M6 - GMS90703BXA	P1256808F
M7 - GMS90904CXA	P1256809F

Chassis

Image 1

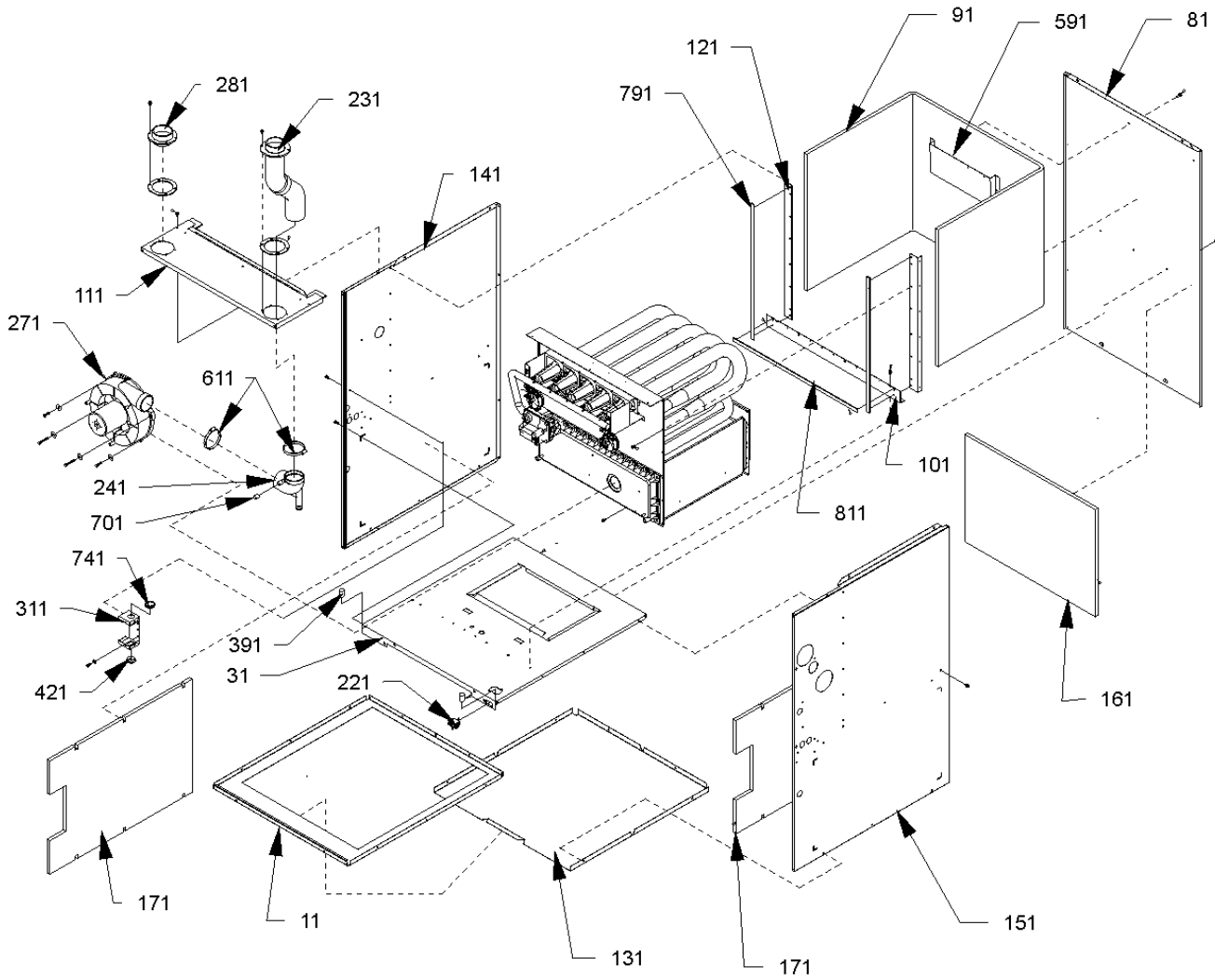
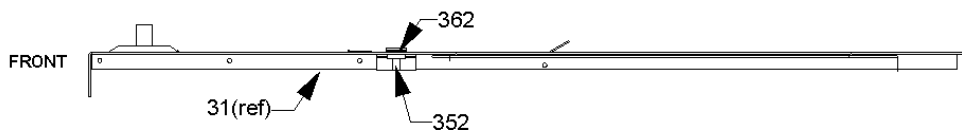


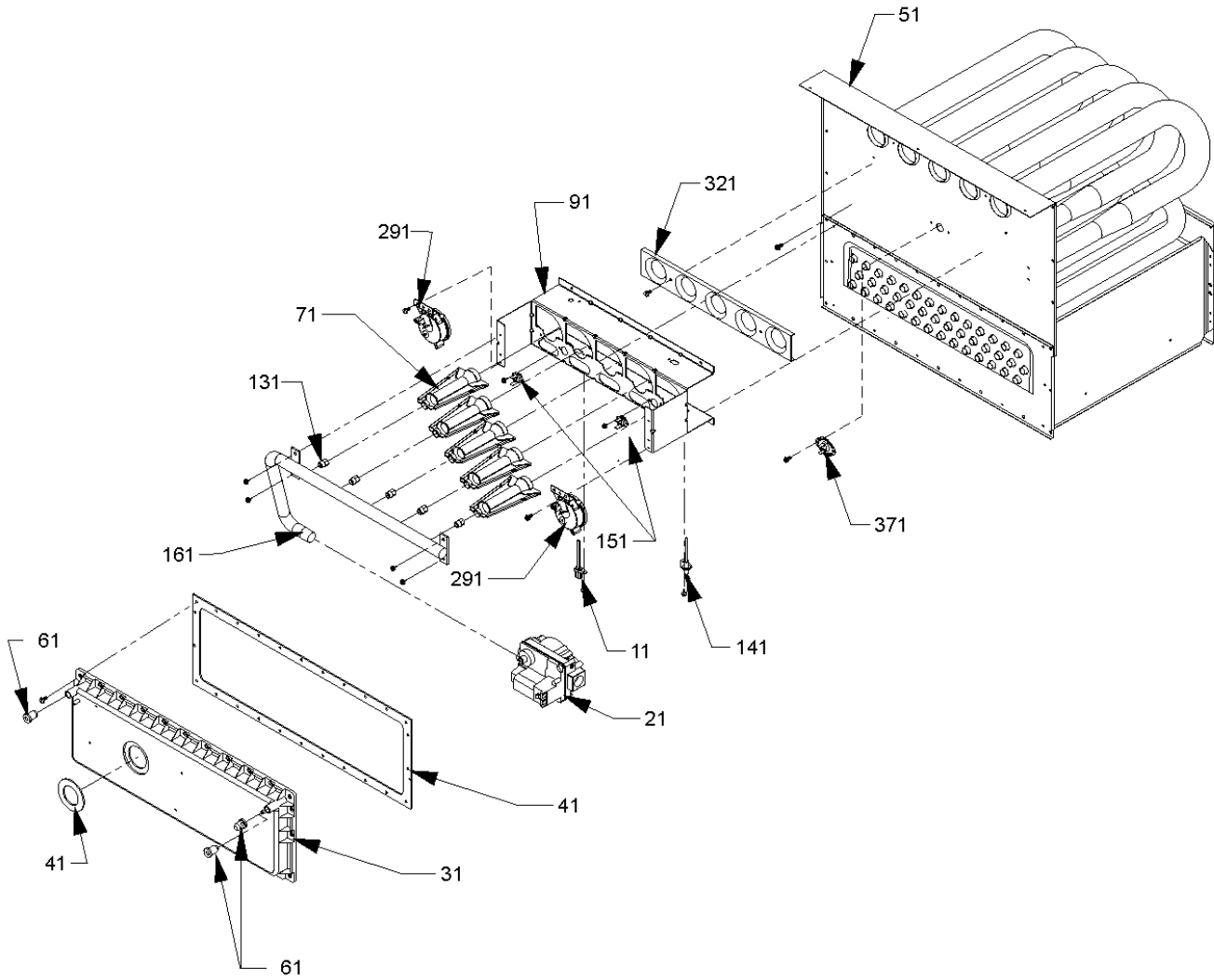
Image 2



Chassis

Ref. Part No:	Ref. Part No:	Description:	Description:
<i>Image 1:</i>			
11	0121F00050DG	BASEPAN (M1, M2, M5, M6)	741 B1392104 UNIVERSAL BUSHING UB 875 (QTY 2)
11	0121F00051DG	BASEPAN (M3, M7)	791 20194608 GASKET (QTY 2)
11	0121F00052DG	BASEPAN (M4)	811 20194605 GASKET (M1, M2, M5, M6)
31	0121F00043	BLOWER DECK (M5, M6)	811 20194606 GASKET (M3, M7)
31	0121F00045	BLOWER DECK (M7)	811 20194607 GASKET (M4)
31	0121F00048	BLOWER DECK (M4)	<i>Image 2:</i>
31	20190231	BLOWER DECK (M1, M2)	352 10861101 BRACKET, AUX LIMIT
31	20190232	BLOWER DECK (M3)	362 10123519 LIMIT, RESET MANUAL (M4)
81	20273208	BACK PANEL (M1, M2, M5, M6)	362 10123535 LIMIT, RESET MANUAL (M1, M2, M3, M5, M6, M7)
81	20273210	BACK PANEL (M3, M7)	Expanded Model Nomenclature
81	20273212	BACK PANEL (M4)	M1 - GMS90453BXA P1256801F
91	C6415909	INSULATION-HEAT EXCHANGER (M4)	M2 - GMS90703BXA P1256802F
91	C6415910	INSULATION-HEAT EXCHANGER (M1, M2, M5, M6)	M3 - GMS90904CXA P1256804F
91	C6415911	INSULATION-HEAT EXCHANGER (M3, M7)	M4 - GMS91155DXA P1256806F
101	0121F00018P	DECK RAIL (M5, M6)	M5 - GMS90453BXA P1256807F
101	0121F00019P	DECK RAIL (M7)	M6 - GMS90703BXA P1256808F
101	20191303	DECK RAIL (M4)	M7 - GMS90904CXA P1256809F
101	20191304	DECK RAIL (M1, M2)	
101	20191305	DECK RAIL (M3)	
111	0270F00001PS	TOP COVER ASSY (M3, M7)	
111	0270F00002PS	TOP COVER ASSY (M4)	
111	0270F00100PS	TOP COVER ASSY (M1, M2, M5, M6)	
121	20191602	SIDE RAIL (M1, M2, M5, M6)	
121	20191603	SIDE RAIL (M3, M7)	
121	20191604	SIDE RAIL (M4)	
131	20523801	FILLER PLATE (M1, M2, M5, M6)	
131	20523802	FILLER PLATE (M3, M7)	
131	20523803	FILLER PLATE (M4)	
141	0121F00092DG	PANEL, SIDE LH	
151	0121F00090DG	PANEL, SIDE RH	
161	20006601	INSULATION (M1, M2, M5, M6)	
161	20006602	INSULATION (M3, M7)	
161	20006603	INSULATION (M4)	
171	20243503	SIDE INSULATION (QTY 2)	
221	B1370818	INTERLOCK SWITCH	
231	22309501	FLUE PIPE	
241	20171802	ELBOW	
271	22307501S	I.D. BLOWER	
281	20049701	COUPLING-FA	
311	10736102	BOX, HIGH VOLTAGE	
391	M0275521	PLASTIC SEALER (M1, M2, M3, M4)	
421	A4554801	SNAP BUSHING	
591	11165107	SHIELD, ID BLOWER	
611	A3326002	HOSE CLAMP (QTY 2)	
701	M0326804	TUBE PLUG (M5, M6, M7)	

Heat Exchanger/Manifold/Gas Valve



Heat Exchanger/Manifold/Gas Valve

**Ref. Part
No: No:**

Description:

**Ref. Part
No: No:**

Description:

Image 1:

11	20165703S	IGNITOR
21	B1282628	GAS VALVE
31	20170801AS	FRONT COVER (M1, M5)
31	20170802AS	FRONT COVER (M2, M6)
31	20170902AS	FRONT COVER (M3, M7)
31	20171002AS	FRONT COVER (M4)
41	0154F00000P	COIL GASKET (M1, M2, M5, M6)
41	0154F00001P	COIL GASKET (M3, M7)
41	0154F00002P	COIL GASKET (M4)
41	0130F00010	FLAME SENSOR
51	0257F00143S	HEAT EXCHANGER ASSY 2B (M1, M5)
51	20317342	HEAT EXCHANGER ASSY 3B (M2, M6)
51	0257F00173S	HEAT EXCHANGER ASSY 4B (M3, M7)
51	0257F00174S	HEAT EXCHANGER ASSY 5B (M4)
61	M0326804	TUBE PLUG (QTY 3)
71	10735102S	BECKETT BURNER (QTY AR)
91	20190410	BURNER BRACKET 2B (M1, M5)
91	20190411	BURNER BRACKET 3B (M2, M6)
91	20190412	BURNER BRACKET 4B (M3, M7)
91	20190413	BURNER BRACKET 5B (M4)
131	10716003	ORIFICE (QTY AR)
151	10123533	LIMIT, RESET MANUAL (QTY AR)
161	20196401	MANIFOLD (M1, M5)
161	20196402	MANIFOLD (M2, M6)
161	20196403	MANIFOLD (M3, M7)
161	20196404	MANIFOLD (M4)
291	0130F00004	PRESSURE SWITCH (M6)
291	20197310	PRESSURE SWITCH (M2, M3, M4, M7)
291	20197312	PRESSURE SWITCH (M1, M5)
321	11072201	SHIELD, ORIFICE (M1, M5)
321	11072202	SHIELD, ORIFICE (M2, M6)
321	11072203	SHIELD, ORIFICE (M3, M7)
321	11072204	SHIELD, ORIFICE (M4)
371	20162903	LIMIT (M2, M6)
371	20162904	LIMIT (M1, M3, M5, M7)
371	20162906	LIMIT (M4)
NS	0164M00002	HOSE, PRESSURE SWITCH (QTY 2)
NS	0164M00002	HOSE, PRESSURE SWITCH
NS	0164M00009	HOSE, PRESSURE SWITCH (M4, M5, M6, M7)
NS	0164M00012	HOSE, PRESSURE SWITCH (M5, M6)
NS	0164M00013	HOSE, PRESSURE SWITCH (M1, M2, M7)
NS	0164M00014	HOSE, PRESSURE SWITCH (M3, M4)
NS	0164M00015	HOSE, PRESSURE SWITCH (M1, M2, M3)

Expanded Model Nomenclature

M1 - GMS90453BXA	P1256801F
M2 - GMS90703BXA	P1256802F
M3 - GMS90904CXA	P1256804F
M4 - GMS91155DXA	P1256806F
M5 - GMS90453BXA	P1256807F
M6 - GMS90703BXA	P1256808F
M7 - GMS90904CXA	P1256809F