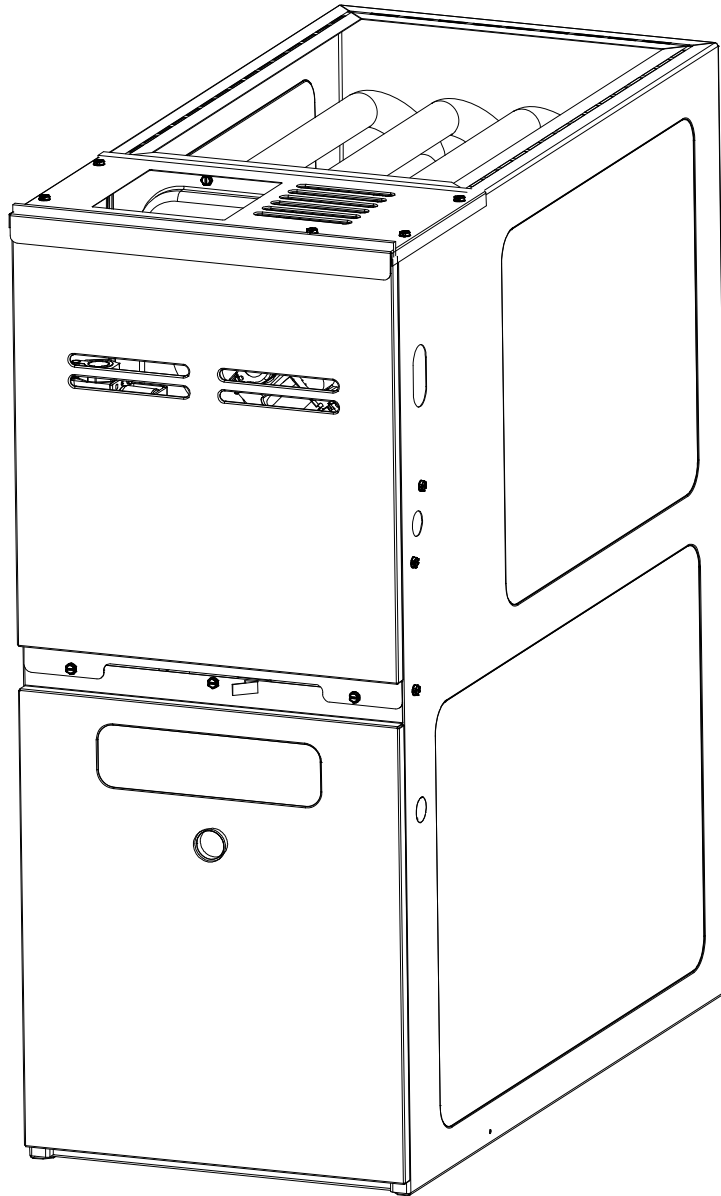


# REPAIR PARTS

## GMH80% Upflow Hybrid Furnace

GMH80403ANBA  
GMH80403AXBA  
GMH80603ANBA  
GMH80603AXBA  
GMH80604BNBA  
GMH80604BXBA  
GMH80803BNBA  
GMH80803BXBA  
GMH80804BNBA  
GMH80804BXBA  
GMH80805CNBA  
GMH80805CXBA  
GMH81005CNBA  
GMH81005CXBA  
GMH81205DNBA  
GMH81205DXBA  
GMH81405DNCD



This manual is to be used by qualified technicians only.

This manual replaces RP-665.

© 2011,2013 Goodman Manufacturing Company, L.P. ♦ 5151 San Felipe, Suite 500 ♦ Houston, TX 77056

# Important Information

---

## Index

Functional Parts List .....	3
Illustration and Parts .....	4 - 11

*Views shown are for parts illustrations only, not servicing procedures*

12-13-13: added vent motor capacitor  
1-16-14: updated gas orifice

### Text Codes:

AR - As Required  
NA - Not Available  
NS - Not Shown  
00000000 - See Note  
QTY - Quantity Example (QTY 3) (If Quantity not shown, Quantity = 1)  
M - Model Example (M1) (If M Code not shown, then part is used on all Models)

### Expanded Model Nomenclature:

Example M1 - Model#1 M2 - Model#2 M3 - Model#3
---

Goodman Manufacturing Company, L.P. is not responsible for personal injury or property damage resulting from improper service. Review all service information before beginning repairs.

Warranty service must be performed by an authorized technician, using authorized factory parts. If service is required after the warranty expires, Goodman Manufacturing Company, L.P. also recommends contacting an authorized technician and using authorized factory parts.

Goodman Manufacturing Company, L.P. reserves the right to discontinue, or change at any time, specifications or designs without notice or without incurring obligations.

For assistance within the U.S.A. contact:  
Consumer Affairs Department  
Goodman Manufacturing Company, L.P.  
7401 Security Way  
Houston, Texas 77040  
877-254-4729-Telephone  
713-863-2382-Facsimile

For assistance outside the U.S.A. contact:  
International Division  
Goodman Manufacturing Company, L.P.  
7401 Security Way  
Houston, Texas 77040  
713-861-2500-Telephone  
713-863-2382-Facsimile

# Functional Parts

## Part

## No: Description:

---

0131F00022	BLOWER MOTOR 1/2 HP, 4 SP, 6 PL (M5, M6, M9, M10, M11, M12, M13, M14)
0131F00020	BLOWER MOTOR 1/3 HP, 4 SP, 6 PL (M1, M2, M3, M4, M7, M8)
20046618	BLOWER MOTOR 3/4 HP (M15, M16, M17)
CAP125000370RP	CAPACITOR 12.5/370V (M1, M2, M3, M4, M7, M8)
CAP200000440RP	CAPACITOR 20/370V (M5, M6, M9, M10, M11, M12, M13, M14)
CAP250000370RP	CAPACITOR 25/370V (M15, M16, M17)
0130F00010	FLAME SENSOR
0151M00014	GAS VALVE - HONEYWELL 2-STAGE
B1370818	INTERLOCK SWITCH
20162901	LIMIT (M1, M2)
10123529	MANUAL RESET LIMIT (QTY 2)
PCBBF132	PCB 2STAGE HYBRID FURNACE CNTL
0130F00041	PRESSURE SWITCH (M5, M6)
0130F00042	PRESSURE SWITCH (M1, M2, M3, M4, M7, M8, M9, M10, M11, M12, M13, M14, M15, M16, M17)
20162903	PRIMARY LIMIT - BLUE (M11, M12, M15, M16, M17)
0130F00038	PRIMARY LIMIT - LT BLUE 120°
20162904	PRIMARY LIMIT-TEMPERATURE CONTROL (M3, M4, M5, M6, M7, M8, M9, M10, M13, M14)
0130F00008	SINI IGNITOR
B1141605	TRANSFORMER 120V TO 24V, 40 VA
0131M00002	VENT MOTOR
DY6.186.070	VENT MOTOR CAPACITOR

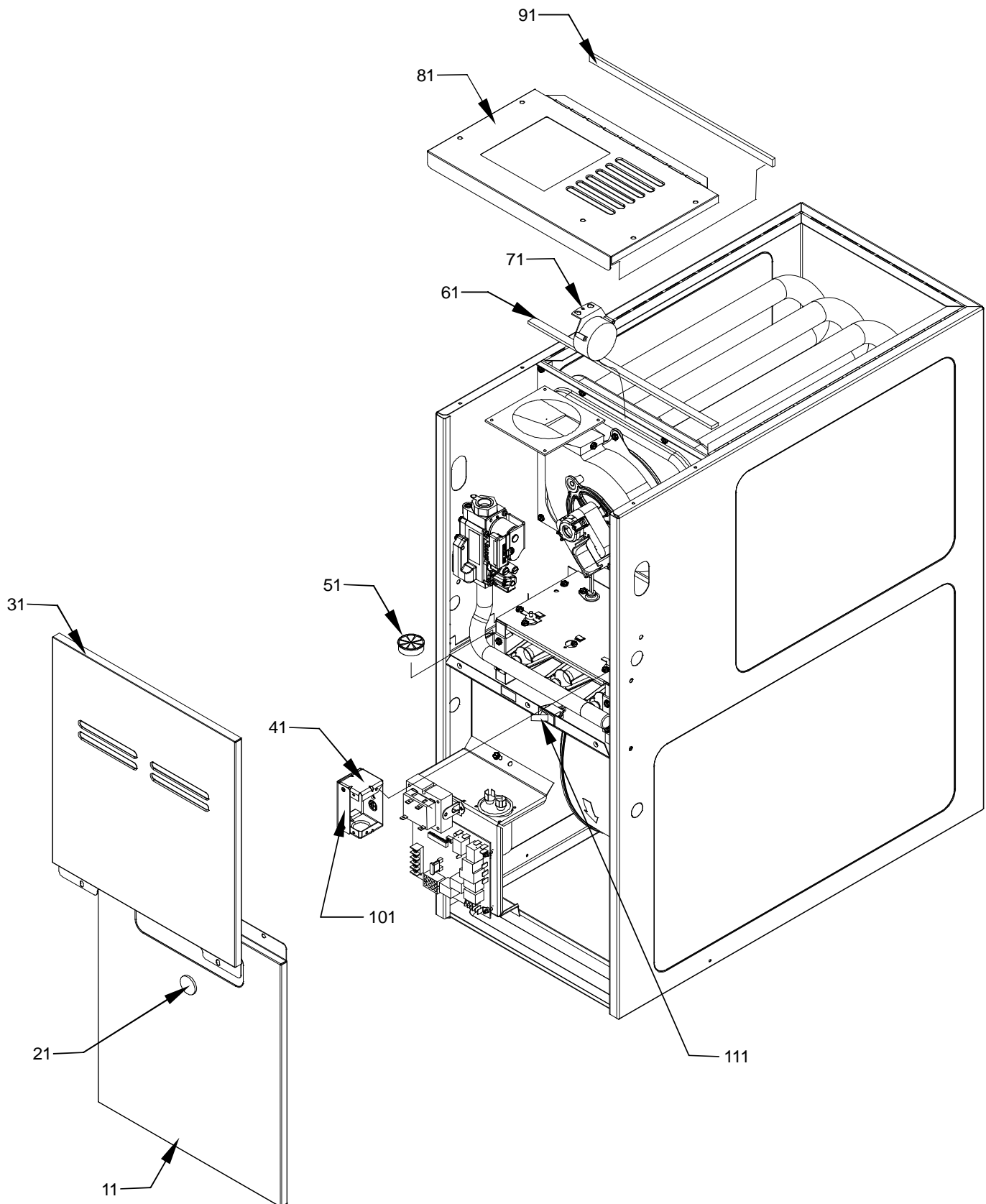
## SPECIAL PARTS

0161F00007 GOODMAN NAMEPLATE

### Expanded Model Nomenclature

M1 - GMH80403ANBA
M2 - GMH80403AXBA
M3 - GMH80603ANBA
M4 - GMH80603AXBA
M5 - GMH80604BNBA
M6 - GMH80604BXBA
M7 - GMH80803BNBA
M8 - GMH80803BXBA
M9 - GMH80804BNBA
M10 - GMH80804BXBA
M11 - GMH80805CNBA
M12 - GMH80805CXBA
M13 - GMH81005CNBA
M14 - GMH81005CXBA
M15 - GMH81205DNBA
M16 - GMH81205DXBA
M17 - GMH81405DNCD

# Cabinet



# Cabinet

**Ref. Part  
No: No:**

**Description:**

**Ref. Part  
No: No:**

**Description:**

*Image 1:*

11	0121F00122DG	BLOWER ACCESS DOOR 14" (M1, M2, M3, M4)
11	0121F00123DG	BLOWER ACCESS DOOR 17.5" (M5, M6, M7, M8, M9, M10)
11	0121F00124DG	BLOWER ACCESS DOOR 21" (M11, M12, M13, M14)
11	0121F00125DG	BLOWER ACCESS DOOR 24.5" (M15, M16, M17)
21	B1392139	VIEW PORT BUSHING-BLOWER DOOR
31	0121F00118DG	CONTROL ACCESS DOOR 14" (M1, M2, M3, M4)
31	0121F00119DG	CONTROL ACCESS DOOR 17.5" (M5, M6, M7, M8, M9, M10)
31	0121F00120DG	CONTROL ACCESS DOOR 21" (M11, M12, M13, M14)
31	0121F00121DG	CONTROL ACCESS DOOR 24.5" (M15, M16, M17)
41	4014502	J-BOX
51	B1392147	UNIVERSAL BUSHING WITH SLICE
61	B13926111	SEAL STRIP, 1/8 X 1/2 X 14 (M1, M2, M3, M4)
61	B13926112	SEAL STRIP, 1/8 X 1/2 X 17.5 (M5, M6, M7, M8, M9, M10)
61	B13926113	SEAL STRIP, 1/8 X 1/2 X 21 (M11, M12, M13, M14)
61	B13926114	SEAL STRIP, 1/8 X 1/2 X 24.5 (M15, M16, M17)
71	0130F00041	PRESSURE SWITCH (M5, M6)
71	0130F00042	PRESSURE SWITCH (M1, M2, M3, M4, M7, M8, M9, M10, M11, M12, M13, M14, M15, M16, M17)
81	0121F00263PDG	TOP 24.5" (M15, M16, M17)
81	0121F00141DG	TOP 14" (M1, M2, M3, M4)
81	0121F00142DG	TOP 17.5" (M5, M6, M7, M8, M9, M10)
81	0121F00143DG	TOP 21" (M11, M12, M13, M14)
111	B1370818	INTERLOCK SWITCH
NS	0161F00007	GOODMAN NAMEPLATE
NS	0270K00015	SOLID BOTTOM 14" CASE (M1, M2, M3, M4)
NS	0270K00016	SOLID BOTTOM 17.5" CASE (M5, M6, M7, M8, M9, M10)
NS	0270K00017	SOLID BOTTOM 21" CASE (M11, M12, M13, M14)
NS	0270K00018	SOLID BOTTOM 24.5" CASE (M15, M16, M17)

Expanded Model Nomenclature

M1 - GMH80403ANBA
M2 - GMH80403AXBA
M3 - GMH80603ANBA
M4 - GMH80603AXBA
M5 - GMH80604BNBA
M6 - GMH80604BXBA
M7 - GMH80803BNBA
M8 - GMH80803BXBA
M9 - GMH80804BNBA
M10 - GMH80804BXBA
M11 - GMH80805CNBA
M12 - GMH80805CXBA
M13 - GMH81005CNBA
M14 - GMH81005CXBA
M15 - GMH81205DNBA
M16 - GMH81205DXBA
M17 - GMH81405DNCD

# Heat Exchanger Assembly

Image 1

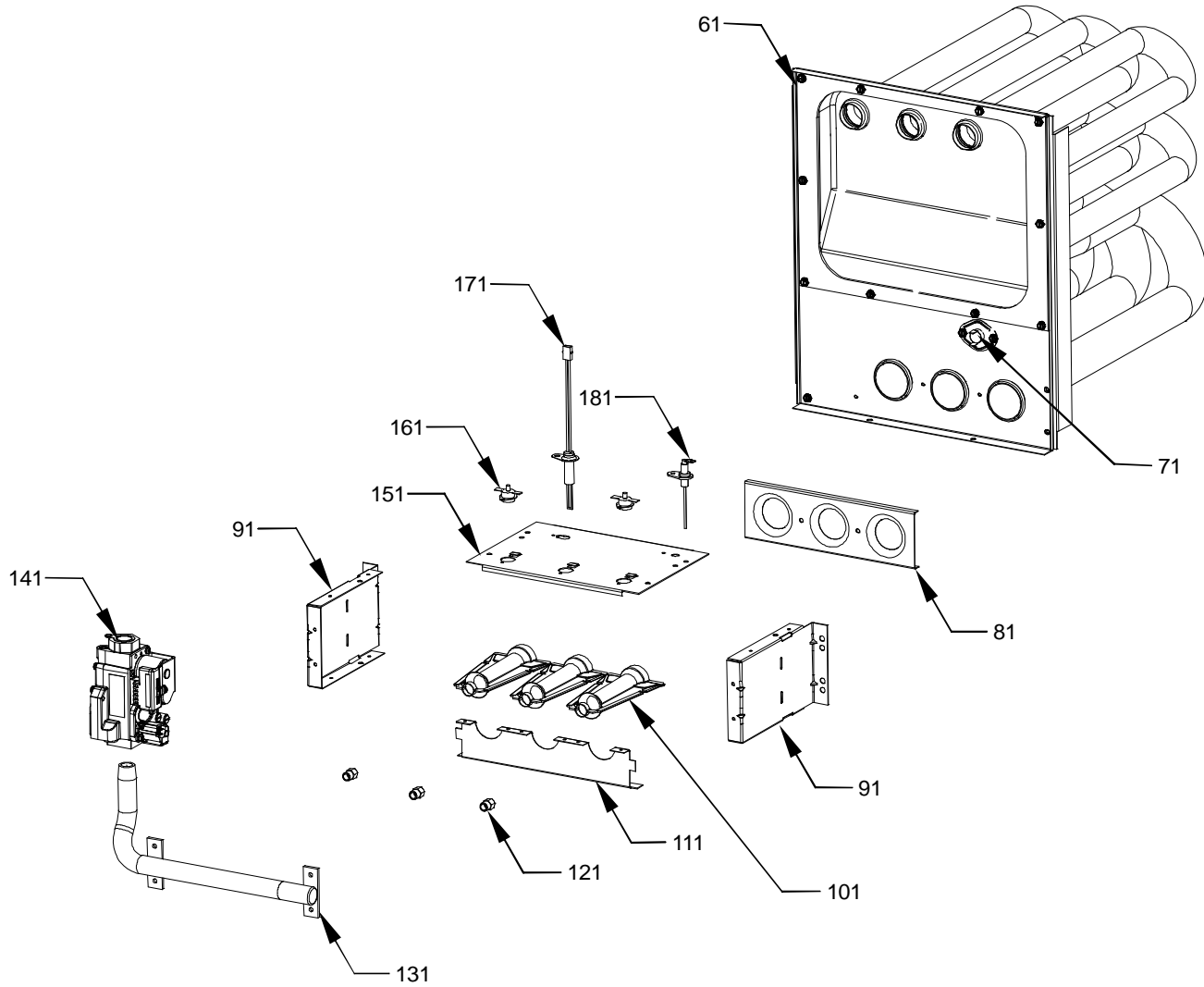
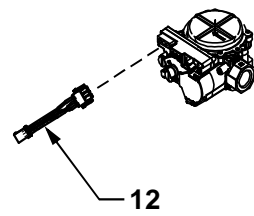


Image 2



# Heat Exchanger Assembly

**Ref. Part  
No: No:**

**Description:**

**Ref. Part  
No: No:**

**Description:**

*Image 1:*

61	0270F00900	HEAT EXCHANGER ASSY (M1, M2)
61	0270F00901	HEAT EXCHANGER ASSY (M3, M4)
61	0270F00902	HEAT EXCHANGER ASSY (M7, M8, M9, M10)
61	0270F00903	HEAT EXCHANGER ASSY (M13, M14)
61	0270F00904	HEAT EXCHANGER ASSY (M15, M16, M17)
61	0270F00929	HEAT EXCHANGER ASSY (M5, M6)
61	0270F00930	HEAT EXCHANGER ASSY (M11, M12)
71	20162901	LIMIT (M1, M2)
71	20162903	PRIMARY LIMIT - BLUE (M11, M12, M15, M16, M17)
71	20162904	PRIMARY LIMIT-TEMPERATURE CONTROL (M3, M4, M5, M6, M7, M8, M9, M10, M13, M14)
81	4028000	ORIFICE SHIELD 2 CELL (M1, M2)
81	4028001	ORIFICE SHIELD 3 CELL (M3, M4, M5, M6)
81	4028002	ORIFICE SHIELD 4 CELL (M7, M8, M9, M10, M11, M12)
81	4028003	ORIFICE SHIELD 5 CELL (M13, M14)
81	4028004	ORIFICE SHIELD 6 CELL (M15, M16, M17)
91	0121F00146	BURNER BOX SIDE (QTY 2)
101	B4022700	INSHOT BURNER ASSY 3" (QTY 2)
111	0121F00167	BURNER BRACKET 2B (M1, M2)
111	0121F00168	BURNER BRACKET 3B (M3, M4, M5, M6)
111	0121F00169	BURNER BRACKET 4B (M7, M8, M9, M10, M11, M12)
111	0121F00170	BURNER BRACKET 5B (M13, M14)
111	0121F00171	BURNER BRACKET 6B (M15, M16, M17)
121	10716003	ORIFICE (M17)
121	10716005	ORIFICE (M1, M2, M3, M4, M5, M6, M7, M8, M9, M10, M11, M12, M13, M14, M15, M16)
131	0120F00006	MANIFOLD (M1, M2)
131	0120F00007	MANIFOLD (M3, M4, M5, M6)
131	0120F00008	MANIFOLD (M7, M8, M9, M10, M11, M12)
131	0120F00009	MANIFOLD (M13, M14)
131	0120F00010	MANIFOLD (M17)
131	0120F00010	MANIFOLD (M15, M16)
141	0151M00014	GAS VALVE - HONEYWELL 2-STAGE
151	0121F00162	BURNER BOX TOP 2 CELL (M1, M2)
151	0121F00163	BURNER BOX TOP 3 CELL (M3, M4, M5, M6)
151	0121F00164	BURNER BOX TOP 4 CELL (M7, M8, M9, M10, M11, M12)
151	0121F00165	BURNER BOX TOP 5 CELL (M13, M14)
151	0121F00166	BURNER BOX TOP 6 CELL (M15, M16, M17)
161	10123529	MANUAL RESET LIMIT (QTY 2)
171	0130F00008	SINI IGNITOR
181	0130F00010	FLAME SENSOR

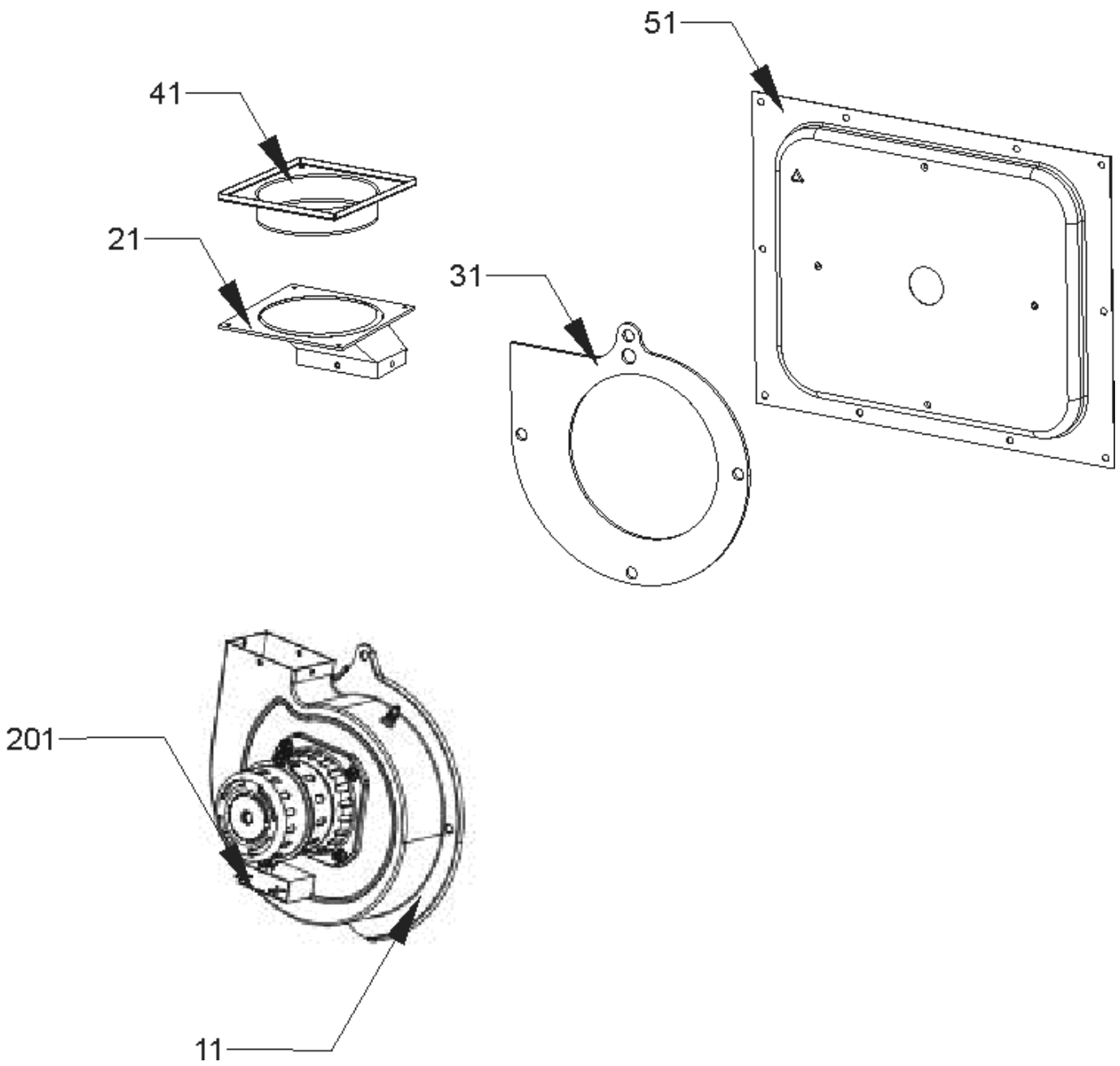
*Image 2:*

12	0259M0005	HARNESS ADAPTOR (HW TO WR)
----	-----------	----------------------------

Expanded Model Nomenclature

M1 - GMH80403ANBA
M2 - GMH80403AXBA
M3 - GMH80603ANBA
M4 - GMH80603AXBA
M5 - GMH80604BNBA
M6 - GMH80604BXBA
M7 - GMH80803BNBA
M8 - GMH80803BXBA
M9 - GMH80804BNBA
M10 - GMH80804BXBA
M11 - GMH80805CNBA
M12 - GMH80805CXBA
M13 - GMH81005CNBA
M14 - GMH81005CXBA
M15 - GMH81205DNBA
M16 - GMH81205DXBA
M17 - GMH81405DNCD

# Collector Box Assembly





# Collector Box Assembly

Ref. Part No:	No:	Description:	Ref. Part No:	No:	Description:
---------------	-----	--------------	---------------	-----	--------------

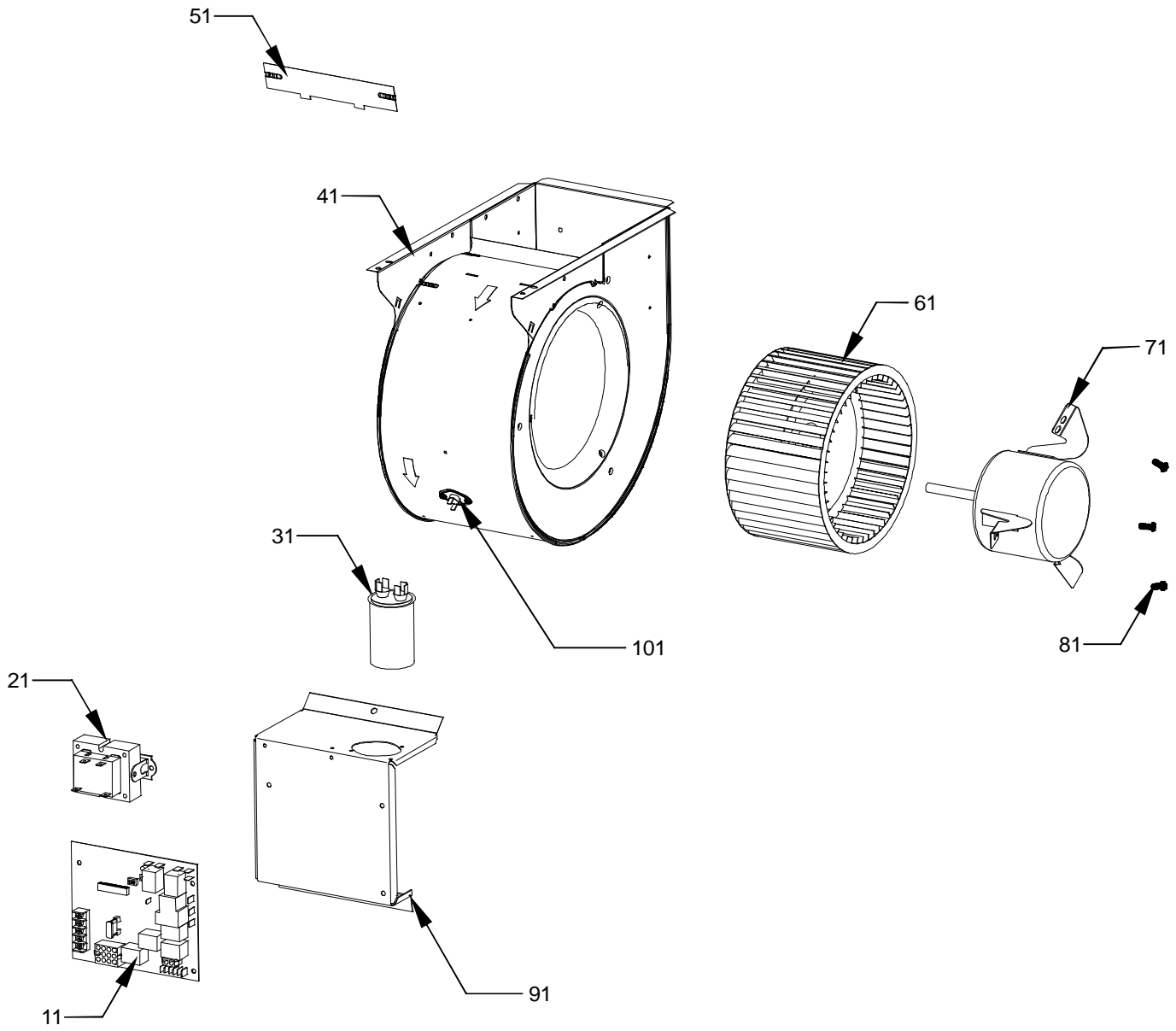
Image 1:

11	0131M00002	VENT MOTOR
21	0128F00006	CHIMNEY TRANSITION BOTTOM
31	0154F00003	VENT MOTOR GASKET 14" (M1, M2, M3, M4)
31	0154F00004	VENT MOTOR GASKET 17.5" (M5, M6, M7, M8, M9, M10)
31	0154F00005	VENT MOTOR GASKET 21" (M11, M12, M13, M14)
31	0154F00006	VENT MOTOR GASKET 24.5" (M15, M16, M17)
41	4023500	CHIMNEY TRANSITION TOP
201	DY6.186.070	VENT MOTOR CAPACITOR

Expanded Model Nomenclature

M1 - GMH80403ANBA
M2 - GMH80403AXBA
M3 - GMH80603ANBA
M4 - GMH80603AXBA
M5 - GMH80604BNBA
M6 - GMH80604BXBA
M7 - GMH80803BNBA
M8 - GMH80803BXBA
M9 - GMH80804BNBA
M10 - GMH80804BXBA
M11 - GMH80805CNBA
M12 - GMH80805CXBA
M13 - GMH81005CNBA
M14 - GMH81005CXBA
M15 - GMH81205DNBA
M16 - GMH81205DXBA
M17 - GMH81405DNCD

# Blower and Control Panel



# Blower and Control Panel

Ref. Part No:	No:	Description:	Ref. Part No:	No:	Description:
<i>Image 1:</i>			Expanded Model Nomenclature		
11	PCBBF132	PCB 2STAGE HYBRID FURNACE CNTL	M1	-	GMH80403ANBA
21	B1141605	TRANSFORMER 120V TO 24V, 40 VA	M2	-	GMH80403AXBA
31	CAP125000370RP	CAPACITOR 12.5/370V (M1, M2, M3, M4, M7, M8)	M3	-	GMH80603ANBA
31	CAP200000440RP	CAPACITOR 20/370V (M5, M6, M9, M10, M11, M12, M13, M14)	M4	-	GMH80603AXBA
31	CAP250000370RP	CAPACITOR 25/370V (M15, M16, M17)	M5	-	GMH80604BNBA
41	2539307	BLOWER HOUSING 10 X 10 (M11, M12, M13, M14, M15, M16, M17)	M6	-	GMH80604BXBA
41	2539305S	BLOWER HOUSING 10 X 6 (M1, M2, M3, M4)	M7	-	GMH80803BNBA
41	2539306S	BLOWER HOUSING 10 X 8 (M5, M6, M7, M8, M9, M10)	M8	-	GMH80803BXBA
51	0121F00327	14" COLLECTOR BOX 1.125" DIA (M1, M2)	M9	-	GMH80804BNBA
51	0121F00335	14" FLUE COLLECTOR BOX 1.250" (M3, M4)	M10	-	GMH80804BXBA
51	0121F00328	17.5" COLLECTOR BOX 1.250" DIA (M5, M6)	M11	-	GMH80805CNBA
51	0121F00331	17.5" COLLECTOR BOX 1.500" DIA (M7, M8, M9, M10)	M12	-	GMH80805CXBA
51	0121F00333	21" COLLECTOR BOX 1.75" DIA (M13, M14)	M13	-	GMH81005CNBA
51	0121F00336	21" FLUE COLLECTOR BOX 1.50" (M11, M12)	M14	-	GMH81005CXBA
51	0121F00330	24.5" COLLECTOR BOX 2.125" DIA (M15, M16)	M15	-	GMH81205DNBA
51	764741F	BLOWER BLOCK-OFF 10 X 10 (M11, M12, M13, M14, M15, M16, M17)	M16	-	GMH81205DXBA
51	764740F	BLOWER BLOCK-OFF 10 X 8 (M5, M6, M7, M8, M9, M10)	M17	-	GMH81405DNCD
51	764739	BLOWER CUT-OFF 10 X 6 (M1, M2, M3, M4)			
51	0121F00131	FLUE COLLECTOR BOX KIT 24.5" 3.5 DIA (M17)			
61	D6723311	BLOWER WHEEL (M15, M16, M17)			
61	B1368047	BLOWER WHEEL 10 X 10 (M11, M12, M13, M14)			
61	B1368034	BLOWER WHEEL 10 X 6 (M1, M2, M3, M4)			
61	B1368016	BLOWER WHEEL 10 X 8 (M5, M6, M9, M10)			
61	B1368058	BLOWER WHEEL 10 X 8 (M7, M8)			
71	0131F00022	BLOWER MOTOR 1/2 HP, 4 SP, 6 PL (M5, M6, M9, M10, M11, M12, M13, M14)			
71	0131F00020	BLOWER MOTOR 1/3 HP, 4 SP, 6 PL (M1, M2, M3, M4, M7, M8)			
71	20046618	BLOWER MOTOR 3/4 HP (M15, M16, M17)			
81	M0250558	TC SCREW (QTY 3)			
91	1815817	CONTROL MOUNT PANEL			
101	0130F00038	PRIMARY LIMIT - LT BLUE 120°			
NS	0259F00020	HARNESS, WIRE IGNITOR HYBRID			
NS	0259F00050	KIT, WIRE HYBRID FURN			
NS	B1393802	SUPPORT, 2-WING BOARD, .187 MT (QTY 4)			
NS	B1393803	SUPPORT, SINGLE-WING BOARD (.1			
NS	0259F00073	WIRE HARNESS ASSY			