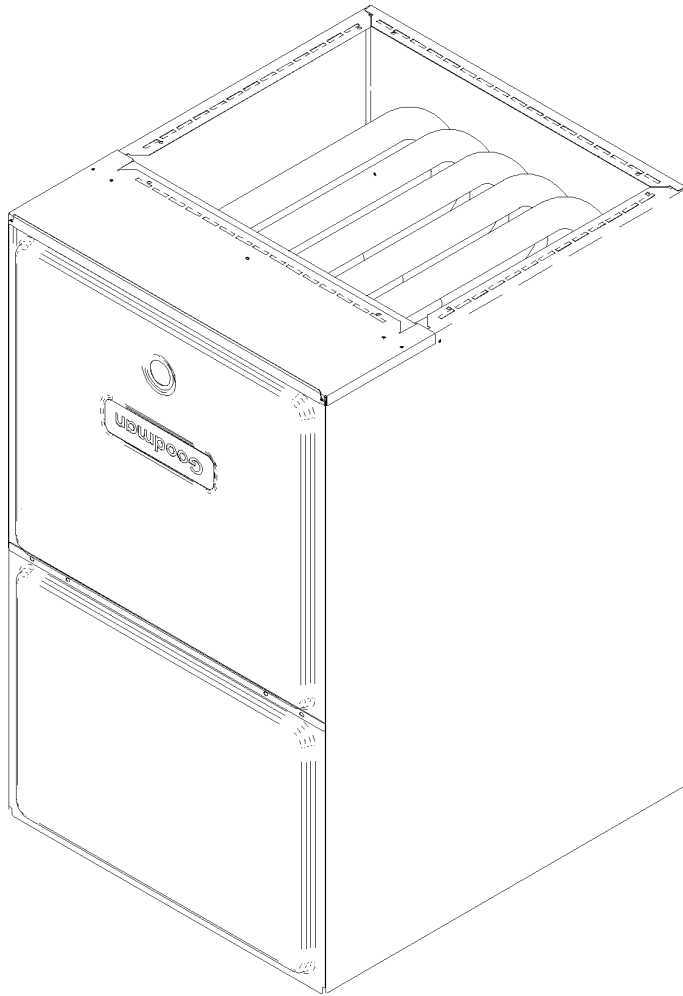




REPAIR PARTS

GCS9*XA Downflow Single Stage/Multi-Speed 90% Gas Furnace

GCS90453BXA P1257201F
GCS90453BXA P1257207F
GCS90703BXA P1257202F
GCS90703BXA P1257208F
GCS90904CXA P1257204F
GCS90904CXA P1257209F
GCS91155DXA P1257206F



Goodman Manufacturing Company, L.P.
5151 San Felipe, Suite 500
Houston Texas 77056

www.goodmanmfg.com

RP-255B
August 2007

Important Information

Index

Functional Parts List	3
Illustration and Parts	4 - 11

Views shown are for parts illustrations only, not servicing procedures

Rev. B: Added models P1257207F, P1257208F, P1257209F

Text Codes:

AR - As Required

NA - Not Available

NS - Not Shown

00000000 - See Note

QTY - Quantity Example (QTY 3) (If Quantity not shown, Quantity = 1)

M - Model Example (M1) (If M Code not shown, then part is used on all Models)

Expanded Model Nomenclature:

Example M1 - Model#1 M2 - Model#2 M3 - Model#3

Goodman Manufacturing Company, L.P. is not responsible for personal injury or property damage resulting from improper service. Review all service information before beginning repairs.

Warranty service must be performed by an authorized technician, using authorized factory parts. If service is required after the warranty expires, Goodman Manufacturing Company, L.P. also recommends contacting an authorized technician and using authorized factory parts.

Goodman Manufacturing Company, L.P. reserves the right to discontinue, or change at any time, specifications or designs without notice or without incurring obligations.

For assistance within the U.S.A. contact:
Consumer Affairs Department
Goodman Manufacturing Company, L.P.
7401 Security Way
Houston, Texas 77040
877-254-4729-Telephone
713-863-2382-Facsimile

For assistance outside the U.S.A. contact:
International Division
Goodman Manufacturing Company, L.P.
7401 Security Way
Houston, Texas 77040
713-861-2500-Telephone
713-863-2382-Facsimile

Functional Parts

Part No:

Description:

0257F00161S	ASSY, HEAT EXCHANGER 3B (M1, M5)
0257F00158S	ASSY, HEAT EXCHANGER 3B (M2, M6)
0257F00159S	ASSY, HEAT EXCHANGER 4B (M3, M7)
0257F00162S	ASSY, HEAT EXCHANGER 5B (M4)
10735102S	BECKETT BURNER (QTY AR)
CAP125000370VAS	CAPACITOR 12.5/370V
0130F00010	FLAME SENSOR
B1282628	GAS VALVE, MANIFOLD (36G)
PCBBF112	IGNITION CONTROL BOARD, HSI INTEGRATED
20165703S	IGNITOR
B1370818	INTERLOCK SWITCH
20196401	MANIFOLD (M1, M5)
20196402	MANIFOLD (M2, M6)
20196403	MANIFOLD (M3, M7)
20196404	MANIFOLD (M4)
B1340024S	MOTOR 1/2 HP, 4 SP, 6 PL (M3, M7)
B1340025S	MOTOR 1/3 HP, 4 SP, 6 PL (M1, M2, M5, M6)
10759415S	MOTOR 3/4 HP, 4 SP, 8 PL (M4)
10716003	ORIFICE (QTY AR)
20197311	PRESSURE SWITCH (QTY 2) (QTY 2)
20162907	PRIMARY LIMIT (M4)
20162906	PRIMARY LIMIT (M1, M2, M5, M6)
20162904	PRIMARY LIMIT (M3, M7)
10123519	RESET LIMIT, MANUAL (M5, M6, M7)
10123519	RESET LIMIT, MANUAL (M3, M4)
10123519	RESET LIMIT, MANUAL (M1, M2)
10123517	RESET LIMIT, MANUAL (M1, M5)
10123517	RESET LIMIT, MANUAL (M2, M4, M6)
10123534	RESET LIMIT, MANUAL (M3, M7)
B1141605	TRANSFORMER 120V TO 24V, 40V
20276011	WIRING HARNESS
20200913	WIRING HARNESS

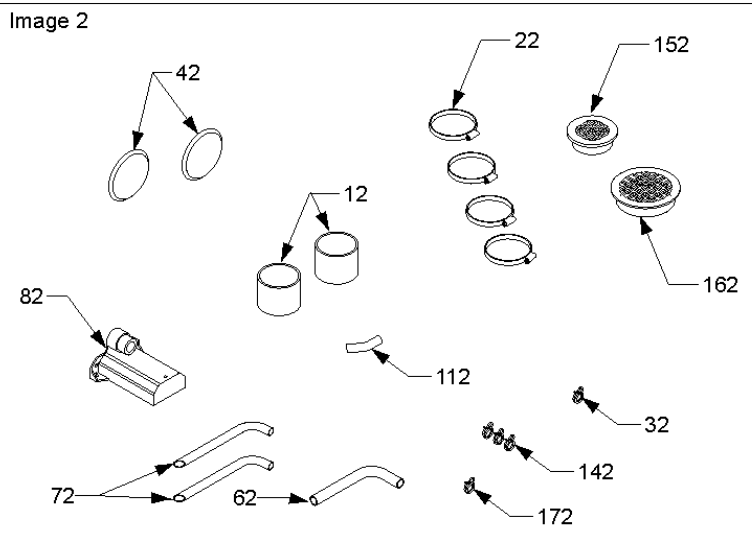
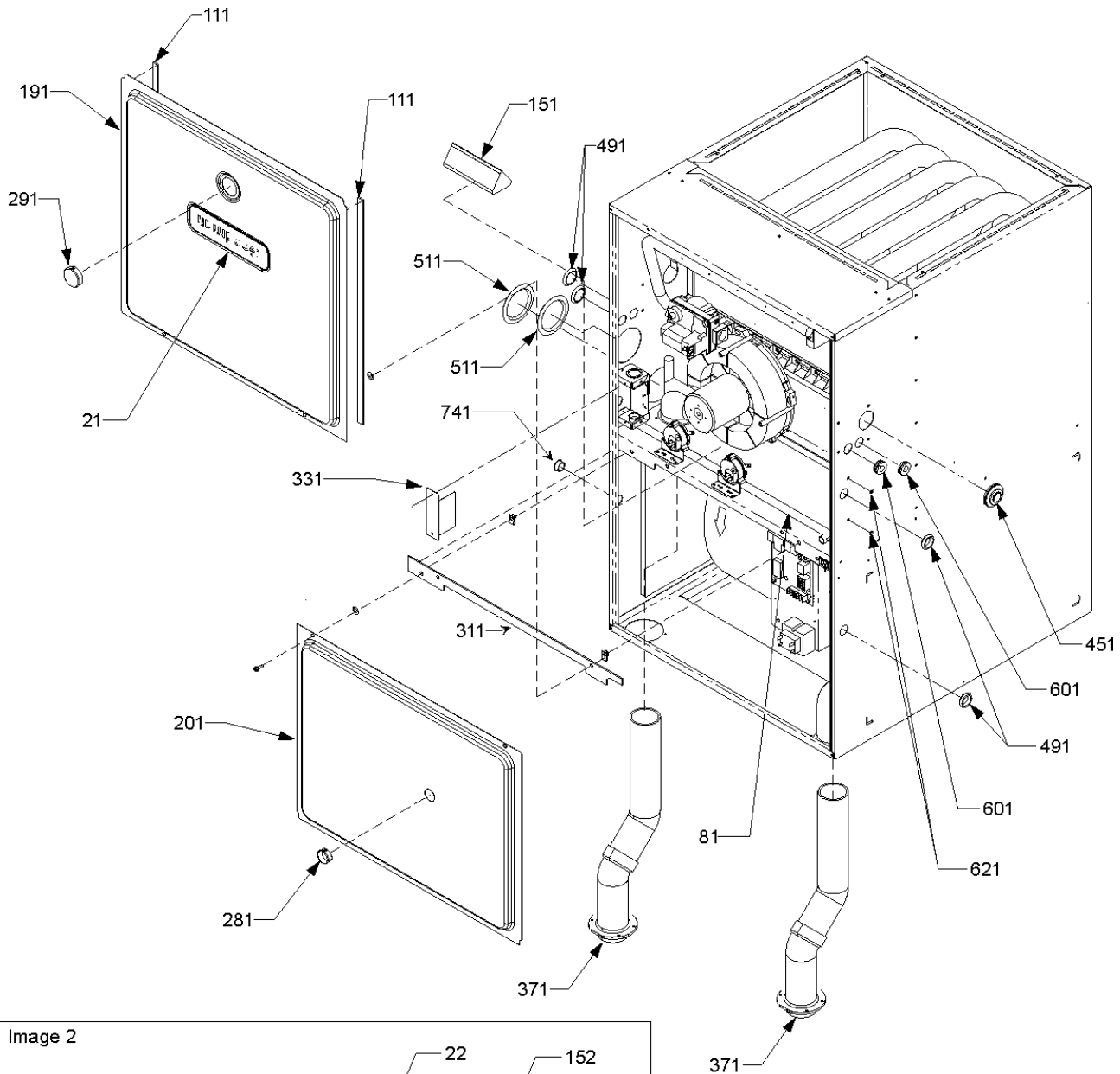
SPECIAL PARTS

0161F00000P	GOODMAN NAMEPLATE
IO-244E	INSTALLATION INSTRUCTIONS
IO-669	INSTRUCTIONS-HUMIDIFIER
IO-661	SPECIAL INSTRUCTIONS-MASSACHUSETTS
10195518Q	STANDPIPE BAG ASSY
HI-115A	USERS MANUAL

Expanded Model Nomenclature

M1 - GCS90453BXA	P1257201F
M2 - GCS90703BXA	P1257202F
M3 - GCS90904CXA	P1257204F
M4 - GCS91155DXA	P1257206F
M5 - GCS90453BXA	P1257207F
M6 - GCS90703BXA	P1257208F
M7 - GCS90904CXA	P1257209F

Cabinet



Cabinet

Ref Part No:	Description:	Ref. Part No:	Description:
--------------	--------------	---------------	--------------

Image 1:

21	0161F00000P	GOODMAN NAMEPLATE
81	20201902	DRAIN HOSE
111	20179308	GASKET (QTY 2)
151	10195518Q	STANDPIPE BAG ASSY
191	0121F00072DG	ACCESS DOOR (M1, M2, M5, M6)
191	0121F00073DG	ACCESS DOOR (M3, M7)
191	0121F00074DG	ACCESS DOOR (M4)
201	0121F00069DG	BLOWER DOOR (M1, M2, M5, M6)
201	0121F00070DG	BLOWER DOOR (M3, M7)
201	0121F00071DG	BLOWER DOOR (M4)
281	B1392139	VIEWPORT BUSHING-BLOWER DOOR
291	11104002	VIEWPORT BUSHING-ACCESS DOOR
311	22320001	DECK GASKET (M1, M2, M5, M6)
311	22320002	DECK GASKET (M3, M7)
311	22320003	DECK GASKET (M4)
331	10736201	COVER, HIGH VOLTAGE BOX
371	22309502	FLUE PIPE (QTY 2)
451	M0501301	PIPE GROMMET
491	M0570808	BUTTON PLUG (QTY 4)
511	M0570807	BUTTON PLUG (QTY 2)
601	A4691701	GROMMET (QTY 2)
621	M0310345	BUTTON PLUG (QTY 2)
741	B1392104	UNIVERSAL BUSHING UB 875 (QTY 2)

Image 2:

12	10254303	RUBBER COUPLING (QTY 2)
22	A3326002	HOSE CLAMP (QTY 4)
32	M0119207	HOSE CLAMP
42	M0570807	BUTTON PLUG (QTY 2)
62	20201901	DRAIN HOSE
72	20201802	DRAIN TUBE (QTY 2)
82	20171701	DRAIN TRAP
112	20214203	DRAIN ANGLE
142	M0119205	HOSE CLAMP (QTY 3)
152	B2810816	2" MESH INSERT
162	B2810814	3" MESH INSERT
172	M0119206	HOSE CLAMP

Expanded Model Nomenclature

M1 - GCS90453BXA	P1257201F
M2 - GCS90703BXA	P1257202F
M3 - GCS90904CXA	P1257204F
M4 - GCS91155DXA	P1257206F
M5 - GCS90453BXA	P1257207F
M6 - GCS90703BXA	P1257208F
M7 - GCS90904CXA	P1257209F

Blower Assembly

Image 1

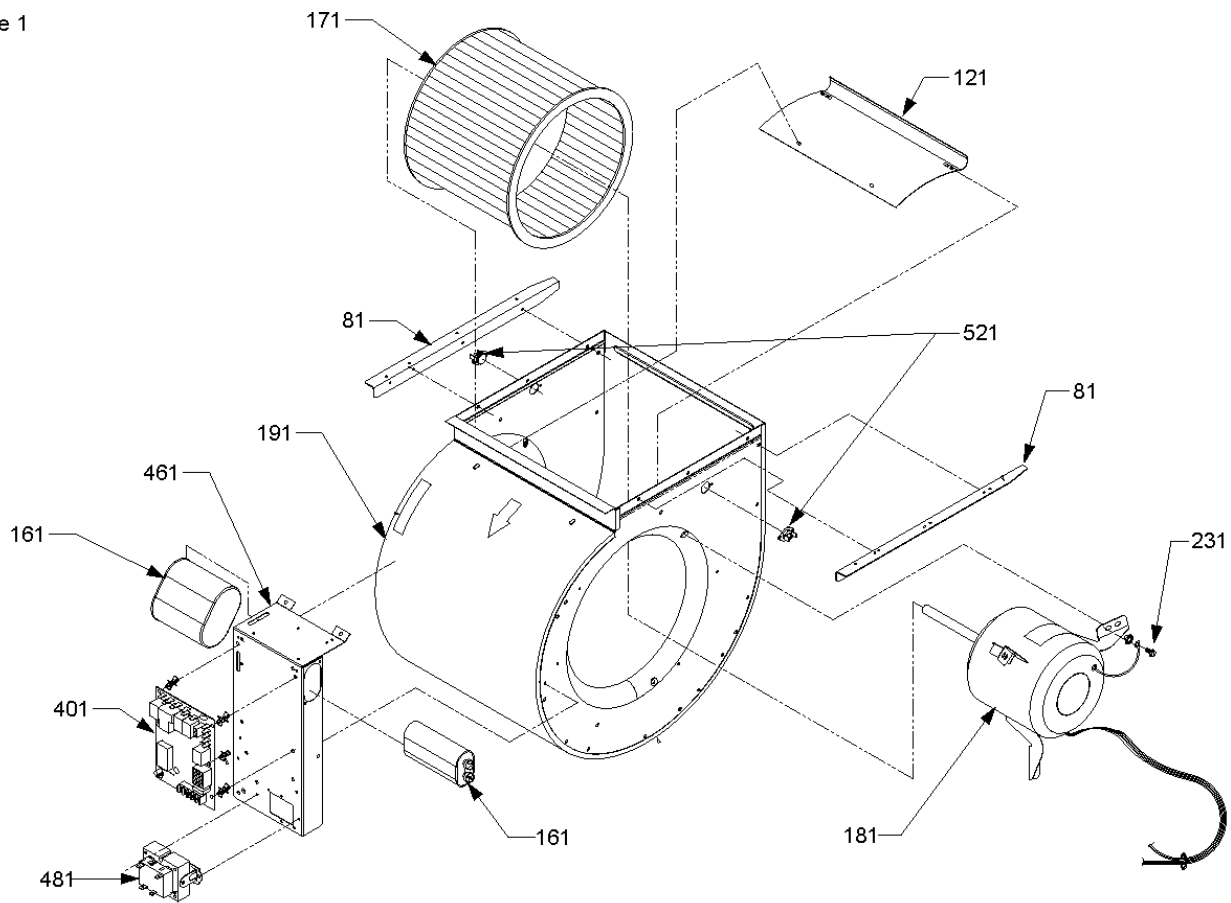


Image 2

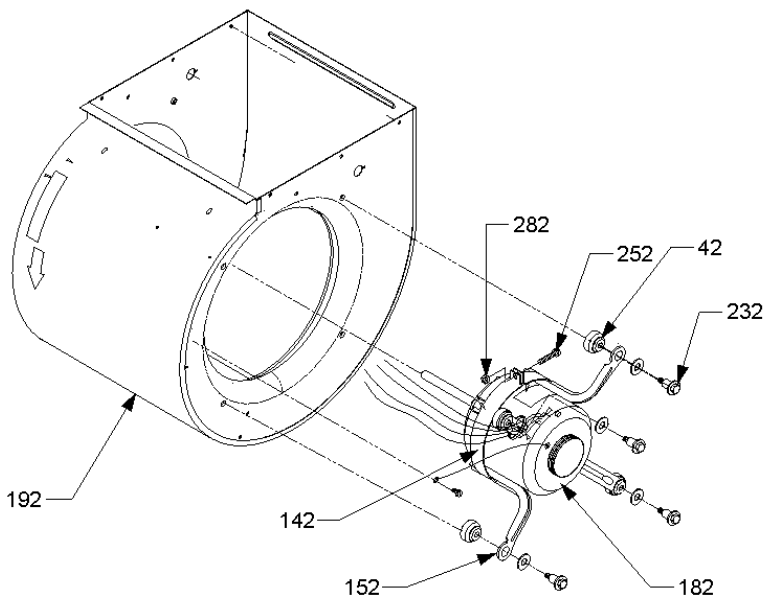
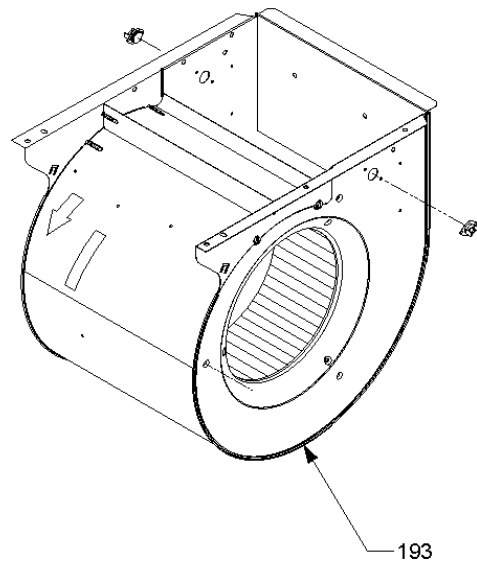


Image 3



Blower Assembly

Ref Part No:	Description:	Ref. Part No:	Description:
--------------	--------------	---------------	--------------

Image 1:

81	20175101	SIDE RAIL, BLOWER (M1, M2, M3, M4)
121	764741F	BLOWER BLOCK-OFF 10 X 10 (M7)
121	764740	BLOWER BLOCK-OFF 10 X 8 (M5, M6)
121	C6121807	BLOWER CUT-OFF (M3, M4)
121	C6121810	BLOWER CUT-OFF (M1, M2)
161	CAP125000370VAS	CAPACITOR 12.5/370V
171	D6723311S	BLOWER WHEEL (M4)
171	B1368047A	BLOWER WHEEL 10 X 10 (M3, M7)
171	B1368058S	BLOWER WHEEL 10 X 8 (M1, M2, M5, M6)
181	B1340024S	MOTOR 1/2 HP, 4 SP, 6 PL (M3, M7)
181	B1340025S	MOTOR 1/3 HP, 4 SP, 6 PL (M1, M2, M5, M6)
191	11185818	ASSY, BLOWER HOUSING (M3)
191	11185820	ASSY, BLOWER HOUSING (M1, M2)
231	M0250558	TC SCREW (M1, M2, M3)
231	M0250558	TC SCREW (M5, M6, M7)
401	PCBBF112	IGNITION CONTROL BOARD, HSI INTEGRATED
461	0121F00025P	CONTROL BRACKET
481	B1141605	TRANSFORMER 120V TO 24V, 40V
521	10123519	RESET LIMIT, MANUAL (M1, M2)
521	10123519	RESET LIMIT, MANUAL (M5, M6, M7)
521	10123519	RESET LIMIT, MANUAL (M3, M4)

Image 2:

42	A4002701	GROMMET (M4)
142	10441601	MOTOR MOUNT BAND (M4)
152	10441501	MOTOR MOUNT ARM (M4)
182	10759415S	MOTOR 3/4 HP, 4 SP, 8 PL (M4)
192	0271F00047	ASSY, BLOWER HOUSING 11 X 10 (M4)
232	M0221461	TC SCREW (M4)
252	M0267144	MACHINE SCREW (M4)
282	M0282015	KEPS NUT (M4)

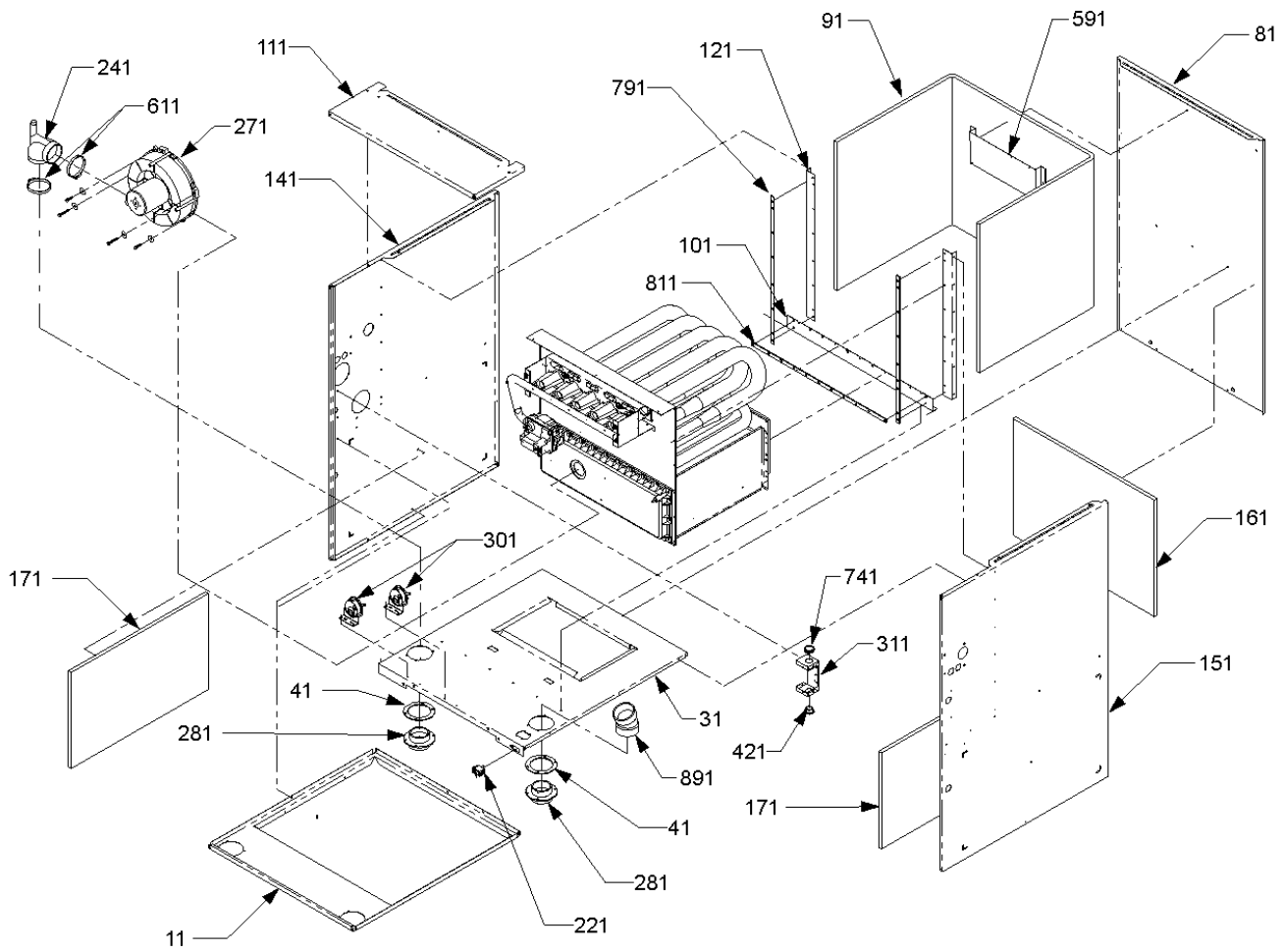
Image 3:

193	0271F00004P	ASSY, BLOWER HOUSING 10 X 10-2 SPD (M7)
193	0271F00001P	ASSY, BLOWER HOUSING 10 X 8-2 SPD (M5, M6)
NS	2509503F	BRACKET, ROLLOUT SWITCH (M7)

Expanded Model Nomenclature

M1 - GCS90453BXA	P1257201F
M2 - GCS90703BXA	P1257202F
M3 - GCS90904CXA	P1257204F
M4 - GCS91155DXA	P1257206F
M5 - GCS90453BXA	P1257207F
M6 - GCS90703BXA	P1257208F
M7 - GCS90904CXA	P1257209F

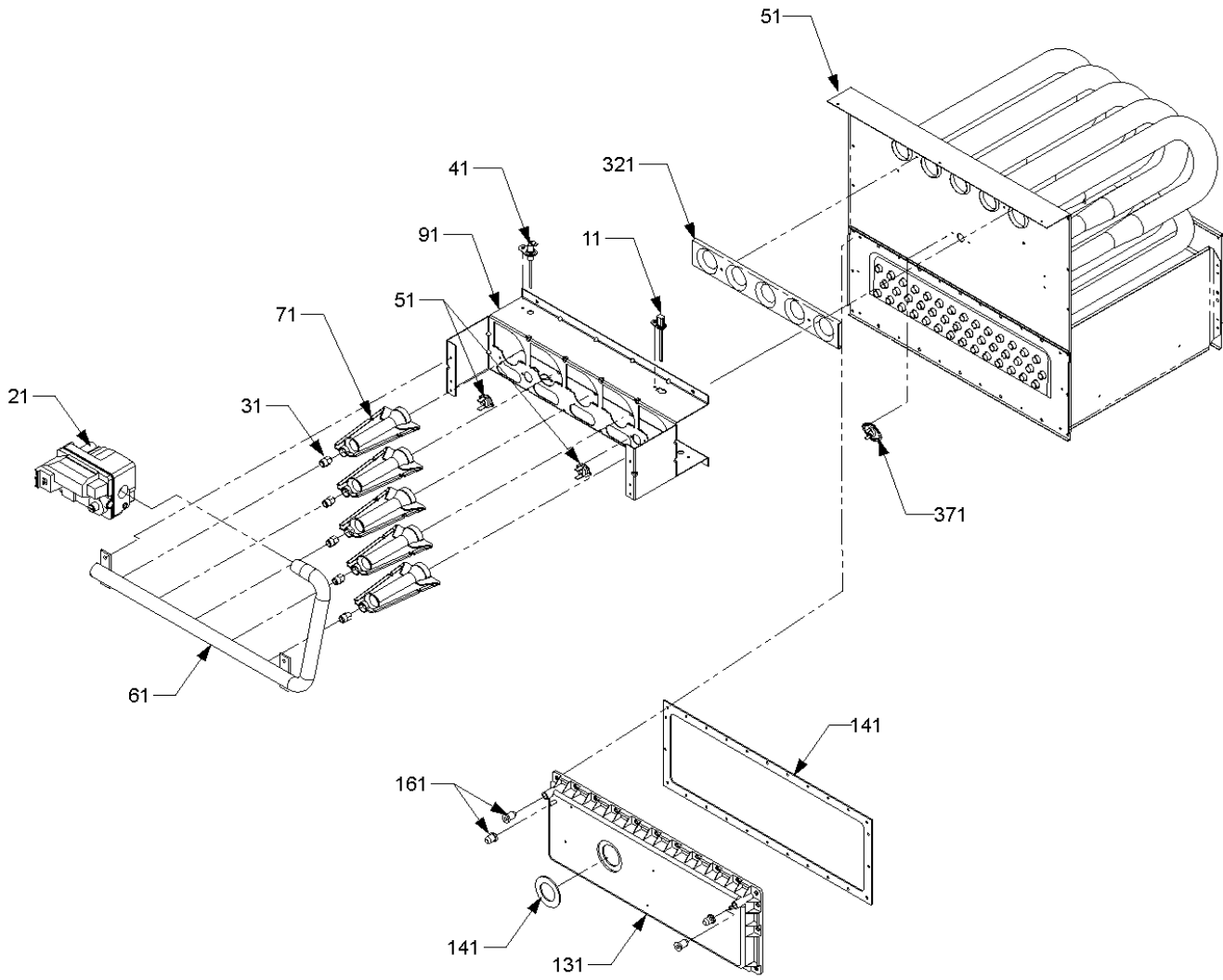
Chassis



Chassis

Ref Part No:	Description:	Ref. Part No:	Description:
<i>Image 1:</i>		791 20194608	GASKET (QTY 2)
11 20273508	BASEPAN (M1, M2, M5, M6)	811 20194605	GASKET (M1, M2, M5, M6)
11 20273510	BASEPAN (M3, M7)	811 20194606	GASKET (M3, M7)
11 20273512	BASEPAN (M4)	811 20194607	GASKET (M4)
31 20190233	BLOWER DECK (M1, M2)	891 C6455901	ELBOW 22 1/2 ELL
31 20190234	BLOWER DECK (M3)	NS 0164M00002	HOSE, PRESSURE SWITCH (M1, M2, M5, M6)
31 0121F00044	BLOWER DECK 17.5" (M5, M6)	NS 0164M00002	HOSE, PRESSURE SWITCH (QTY 2) (M3, M4, M7)
31 0121F00046	BLOWER DECK 21" (M7)	Expanded Model Nomenclature	
31 0121F00049	BLOWER DECK 24.5" (M4)	M1 - GCS90453BXA	P1257201F
41 0154F00000P	COIL GASKET (M1, M2, M5, M6)	M2 - GCS90703BXA	P1257202F
41 0154F00001P	COIL GASKET (M3, M7)	M3 - GCS90904CXA	P1257204F
41 0154F00002P	COIL GASKET (M4)	M4 - GCS91155DXA	P1257206F
81 20273214	BACK PANEL (M1, M2, M5, M6)	M5 - GCS90453BXA	P1257207F
81 20273216	BACK PANEL (M3, M7)	M6 - GCS90703BXA	P1257208F
81 20273218	BACK PANEL (M4)	M7 - GCS90904CXA	P1257209F
91 C6415909	INSULATION, HEAT EXCHANGER (M4)		
91 C6415910	INSULATION, HEAT EXCHANGER (M1, M2, M5, M6)		
91 C6415911	INSULATION, HEAT EXCHANGER (M3, M7)		
101 0121F00018P	DECK RAIL (M5, M6)		
101 0121F00019P	DECK RAIL (M7)		
101 20191303	DECK RAIL (M4)		
101 20191304	DECK RAIL (M1, M2)		
101 20191305	DECK RAIL (M3)		
111 0270F00103P	ASSY, TOP COVER (M1, M2, M5, M6)		
111 0270F00104PS	ASSY, TOP COVER (M3, M7)		
111 0270F00105P	ASSY, TOP COVER (M4)		
121 20191602	SIDE RAIL (M1, M2, M5, M6)		
121 20191603	SIDE RAIL (M3, M7)		
121 20191604	SIDE RAIL (M4)		
141 0121F00093DG	SIDE PANEL, LEFT		
151 0121F00091DG	SIDE PANEL, RIGHT		
161 20006601	INSULATION (M1, M2, M5, M6)		
161 20006602	INSULATION (M3, M7)		
161 20006603	INSULATION (M4)		
171 20006604	SIDE INSULATION (QTY 2)		
221 B1370818	INTERLOCK SWITCH		
241 20171802	ELBOW		
271 22307501S	ID BLOWER		
281 20049701	FA COUPLING (QTY 2)		
301 20197311	PRESSURE SWITCH (QTY 2) (QTY 2)		
311 10736102	BOX, HIGH VOLTAGE		
421 A4554801	SNAP BUSHING		
591 11165107	SHIELD, ID BLOWER		
611 A3326002	HOSE CLAMP (QTY 2)		
741 B1392104	UNIVERSAL BUSHING UB 875 (QTY 2)		

Heat Exchanger/Manifold/Gas Valve



Heat Exchanger/Manifold/Gas Valve

Ref Part No:	Description:	Ref. Part No:	Description:
<i>Image 1:</i>			
11	20165703S		IGNITOR
21	B1282628		GAS VALVE, MANIFOLD (36G)
31	10716003		ORIFICE (QTY AR)
41	0130F00010		FLAME SENSOR
51	0257F00158S		ASSY, HEAT EXCHANGER 3B (M2, M6)
51	0257F00161S		ASSY, HEAT EXCHANGER 3B (M1, M5)
51	0257F00159S		ASSY, HEAT EXCHANGER 4B (M3, M7)
51	0257F00162S		ASSY, HEAT EXCHANGER 5B (M4)
51	10123517		RESET LIMIT, MANUAL (M2, M4, M6)
51	10123517		RESET LIMIT, MANUAL (M1, M5)
51	10123534		RESET LIMIT, MANUAL (M3, M7)
61	20196401		MANIFOLD (M1, M5)
61	20196402		MANIFOLD (M2, M6)
61	20196403		MANIFOLD (M3, M7)
61	20196404		MANIFOLD (M4)
71	10735102S		BECKETT BURNER (QTY AR)
91	20190410		BURNER BRACKET 2B (M1, M5)
91	20190411		BURNER BRACKET 3B (M2, M6)
91	20190412		BURNER BRACKET 4B (M3, M7)
91	20190413		BURNER BRACKET 5B (M4)
131	20170801AS		FRONT COVER (M1, M5)
131	20170802AS		FRONT COVER (M2, M6)
131	20170902AS		FRONT COVER (M3, M7)
131	20171002AS		FRONT COVER (M4)
141	0154F00000P		COIL GASKET (M1, M2, M5, M6)
141	0154F00001P		COIL GASKET (M3, M7)
141	0154F00002P		COIL GASKET (M4)
161	M0326804		TUBE PLUG (QTY 3)
321	11072201		ORIFICE SHIELD (M1, M5)
321	11072202		ORIFICE SHIELD (M2, M6)
321	11072203		ORIFICE SHIELD (M3, M7)
321	11072204		ORIFICE SHIELD (M4)
371	20162904		PRIMARY LIMIT (M3, M7)
371	20162906		PRIMARY LIMIT (M1, M2, M5, M6)
371	20162907		PRIMARY LIMIT (M4)

Expanded Model Nomenclature

M1 - GCS90453BXA	P1257201F
M2 - GCS90703BXA	P1257202F
M3 - GCS90904CXA	P1257204F
M4 - GCS91155DXA	P1257206F
M5 - GCS90453BXA	P1257207F
M6 - GCS90703BXA	P1257208F
M7 - GCS90904CXA	P1257209F