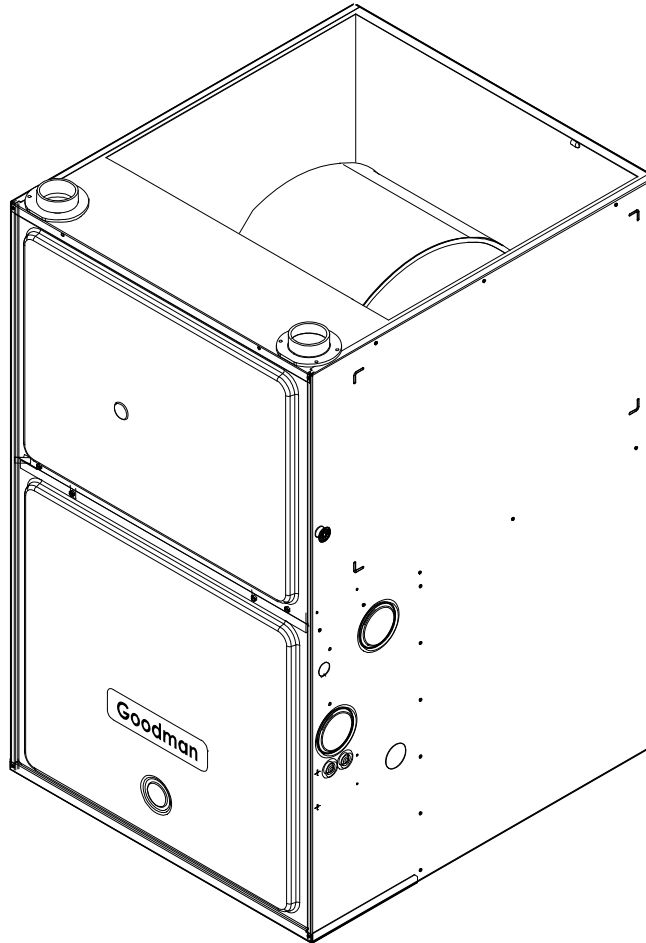




# REPAIR PARTS

## GCH9 Counterflow Hybrid 90% Furnace

GCH90453BXAA  
GCH90453BXAB  
GCH90703BXAA  
GCH90703BXAB  
GCH90704CXAA  
GCH90704CXAB  
GCH90904CXAA  
GCH90904CXAB  
GCH90905DXAA  
GCH90905DXAB  
GCH91155DXAA  
GCH91155DXAB  
GCH91155DXAC



This manual is to be used by qualified technicians only.

This manual replaces RP-407A

© 2006-2007, 2010 Goodman Manufacturing Company, L.P. ♦ 5151 San Felipe, Suite 500 ♦ Houston, TX 77056

# Important Information

---

## Index

Functional Parts List .....	3
Illustration and Parts .....	4 - 11

*Views shown are for parts illustrations only, not servicing procedures.*

Revision B: Added model GCH91155DXAC with 2-stage Honeywell gas valve.

### Text Codes:

AR - As Required

NA - Not Available

NS - Not Shown

00000000 - See Note

QTY - Quantity Example (QTY 3) (If Quantity not shown, Quantity = 1)

M - Model Example (M1) (If M Code not shown, then part is used on all Models)

### Expanded Model Nomenclature:

Example M1 - Model#1 M2 - Model#2 M3 - Model#3
---

Goodman Manufacturing Company, L.P. is not responsible for personal injury or property damage resulting from improper service. Review all service information before beginning repairs.

Warranty service must be performed by an authorized technician, using authorized factory parts. If service is required after the warranty expires, Goodman Manufacturing Company, L.P. also recommends contacting an authorized technician and using authorized factory parts.

Goodman Manufacturing Company, L.P. reserves the right to discontinue, or change at any time, specifications or designs without notice or without incurring obligations.

For assistance within the U.S.A. contact:  
Consumer Affairs Department  
Goodman Manufacturing Company, L.P.  
7401 Security Way  
Houston, Texas 77040  
877-254-4729-Telephone  
713-863-2382-Facsimile

For assistance outside the U.S.A. contact:  
International Division  
Goodman Manufacturing Company, L.P.  
7401 Security Way  
Houston, Texas 77040  
713-861-2500-Telephone  
713-863-2382-Facsimile

# Functional Parts

## Part

## No: Description:

Part No:	Description:															
10735102S	BECKETT BURNER (QTY AR)	IO-661	INSTALL INSTRUCTIONS													
0131F00022	BLOWER MOTOR 1/2 HP, 4 SP, 6 PL (M5, M6, M7, M8)	IO-299H	INSTALLATION INSTR (M13)													
0131F00020	BLOWER MOTOR 1/3 HP, 4 SP, 6 PL (M1, M2, M3, M4)	IO-299G	INSTALLATION INSTRUCTIONS (M1, M2, M3, M4, M5, M6, M7, M8, M9, M10, M11, M12)													
10759415S	BLOWER MOTOR 3/4 HP, 4 SP, 8 PL (M9, M10, M11, M12, M13)	IO-669	INSTALL-HUMIDIFIER													
D6723311S	BLOWER WHEEL (M9, M10, M11, M12, M13)	Expanded Model Nomenclature														
B1368047A	BLOWER WHEEL 10 X 10 (M5, M6, M7, M8)	<table border="1"> <tr><td>M1 - GCH90453BXAA</td></tr> <tr><td>M2 - GCH90453BXAB</td></tr> <tr><td>M3 - GCH90703BXAA</td></tr> <tr><td>M4 - GCH90703BXAB</td></tr> <tr><td>M5 - GCH90704CXAA</td></tr> <tr><td>M6 - GCH90704CXAB</td></tr> <tr><td>M7 - GCH90904CXAA</td></tr> <tr><td>M8 - GCH90904CXAB</td></tr> <tr><td>M9 - GCH90905DXAA</td></tr> <tr><td>M10 - GCH90905DXAB</td></tr> <tr><td>M11 - GCH91155DXAA</td></tr> <tr><td>M12 - GCH91155DXAB</td></tr> <tr><td>M13 - GCH91155DXAC</td></tr> </table>		M1 - GCH90453BXAA	M2 - GCH90453BXAB	M3 - GCH90703BXAA	M4 - GCH90703BXAB	M5 - GCH90704CXAA	M6 - GCH90704CXAB	M7 - GCH90904CXAA	M8 - GCH90904CXAB	M9 - GCH90905DXAA	M10 - GCH90905DXAB	M11 - GCH91155DXAA	M12 - GCH91155DXAB	M13 - GCH91155DXAC
M1 - GCH90453BXAA																
M2 - GCH90453BXAB																
M3 - GCH90703BXAA																
M4 - GCH90703BXAB																
M5 - GCH90704CXAA																
M6 - GCH90704CXAB																
M7 - GCH90904CXAA																
M8 - GCH90904CXAB																
M9 - GCH90905DXAA																
M10 - GCH90905DXAB																
M11 - GCH91155DXAA																
M12 - GCH91155DXAB																
M13 - GCH91155DXAC																
B1368058S	BLOWER WHEEL 10 X 8 (M1, M2, M3, M4)															
CAP125000370VAS	CAPACITOR 12.5/370V (M1, M2, M3, M4)															
CAP150000370VAS	CAPACITOR 15/370V (M9, M10, M11, M12, M13)															
CAP200000370VAS	CAPACITOR 20/370V (M5, M6, M7, M8)															
0130F00010	FLAME SENSOR															
0151M00014	GAS VALVE - HONEYWELL 2-STAGE (M13)															
0151F00000P	GAS VALVE - WHITE-RODGERS 2-STAGE (M1, M2, M3, M4, M5, M6, M7, M8, M9, M10, M11, M12)															
22307501S	ID BLOWER															
PCBBF122S	IGNITION BOARD, HSI INTEGRATED 2-STG															
B1370818	INTERLOCK SWITCH															
10123518	MANUAL RESET LIMIT (M9, M10)															
10123518	MANUAL RESET LIMIT (M5, M6)															
10123519	MANUAL RESET LIMIT (M1, M2, M3, M4, M7, M8)															
10123519	MANUAL RESET LIMIT (M11, M12)															
10123517	MANUAL RESET LIMIT (M1, M2, M3, M4, M5, M6, M11, M12, M13)															
10123534	MANUAL RESET LIMIT 220°F (M7, M8, M9, M10)															
10716003	ORIFICE (QTY AR)															
20197311	PRESSURE SWITCH-LIME (M1, M2, M3, M4, M7, M8, M11, M12, M13)															
20197313	PRESSURE SWITCH-PINK (M5, M6, M9, M10)															
20162907	PRIMARY LIMIT (M11, M12, M13)															
0130F00038	PRIMARY LIMIT - LT BLUE 120° (M13)															
20162906	PRIMARY LIMIT - WHITE (M1, M2, M3, M4, M5, M6, M9, M10)															
20162904	PRIMARY LIMIT-TEMPERATURE CONTROL (M7, M8)															
0130F00008S	SINI IGNITOR															
B1141605	TRANSFORMER 120V TO 24V, 40 VA															

## SPECIAL PARTS

0161F00000P	GOODMAN NAMEPLATE
HI-115B	HOMEOWNERS INSTRUCTIONS

# Cabinet

Image 1

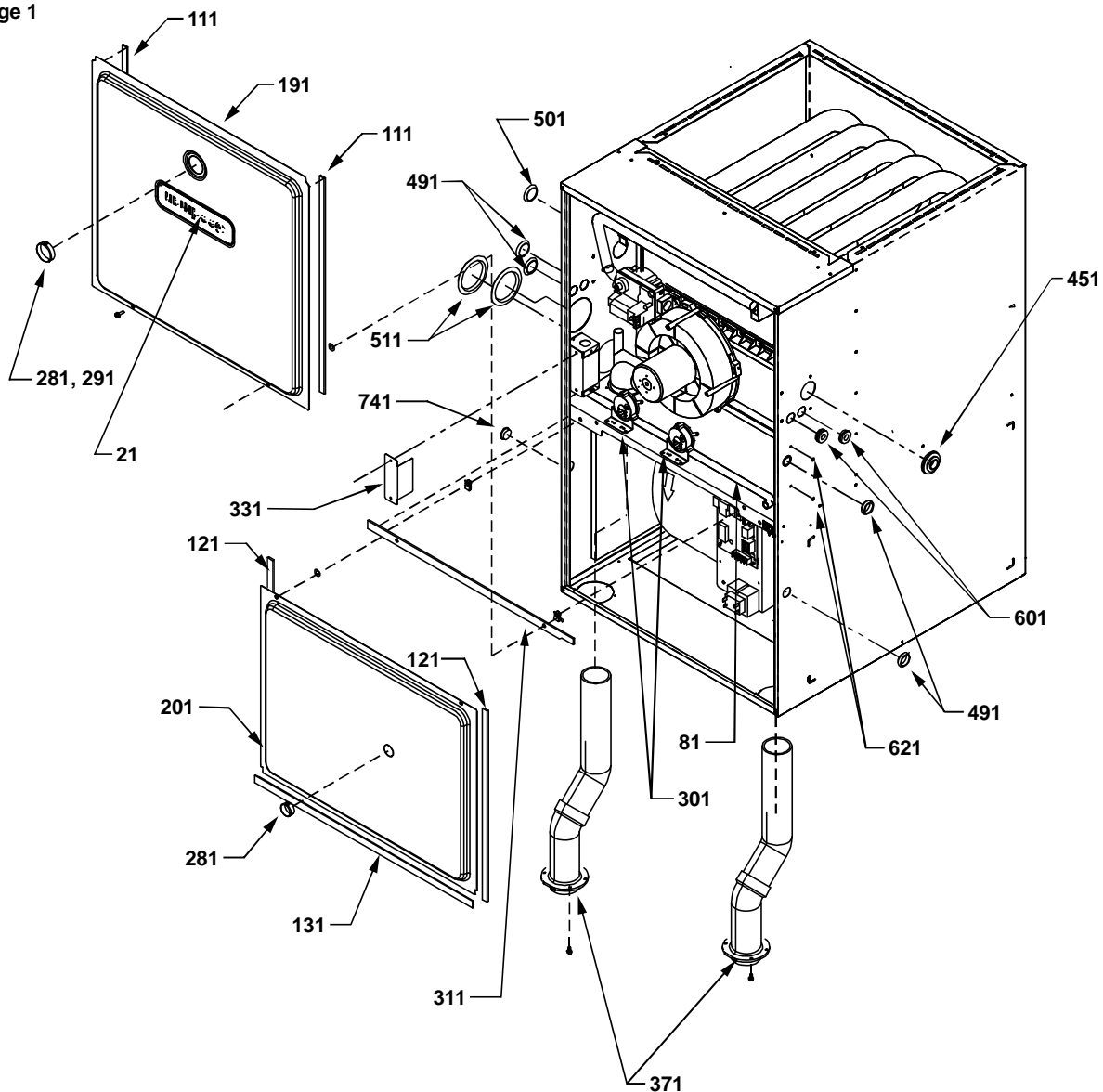
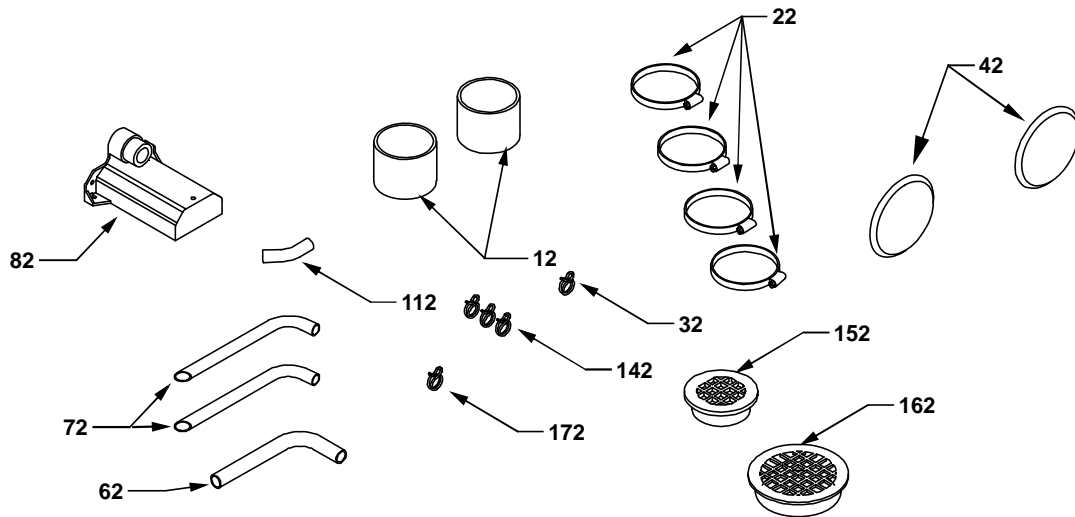


Image 2



# Cabinet

**Ref. Part  
No: No:**

**Description:**

**Ref. Part  
No: No:**

**Description:**

*Image 1:*

21	0161F00000P	GOODMAN NAMEPLATE
81	20201902	DRAIN HOSE
111	20179308	GASKET (QTY 2)
121	20179311	GASKET (M2, M4, M6, M8, M10, M12, M13)
131	20179311	GASKET (M2, M4)
131	20179312	GASKET (M6, M8)
131	20179313	GASKET (M10, M12, M13)
191	0121F00072DGS	ACCESS DOOR (M1, M2, M3, M4)
191	0121F00073DGS	ACCESS DOOR (M5, M6, M7, M8)
191	0121F00074DGS	ACCESS DOOR (M9, M10, M11, M12, M13)
201	0121F00069DGS	BLOWER DOOR (M1, M2, M3, M4)
201	0121F00070DGS	BLOWER DOOR (M5, M6, M7, M8)
201	0121F00071DGS	BLOWER DOOR (M9, M10, M11, M12, M13)
281	B1392139	VIEW PORT BUSHING-BLOWER DOOR
291	11104002	VIEW PORT BUSHING-ACCESS DOOR (M1, M3, M5, M7, M9, M11)
301	20197311	PRESSURE SWITCH-LIME (M1, M2, M3, M4, M7, M8, M11, M12, M13)
301	20197313	PRESSURE SWITCH-PINK (M5, M6, M9, M10)
311	22320001	DECK GASKET (M1, M2, M3, M4)
311	22320002	DECK GASKET (M5, M6, M7, M8)
311	22320003	DECK GASKET (M9, M10, M11, M12, M13)
331	10736201	COVER, HIGH VOLTAGE BOX (M1, M3, M5, M7, M9, M11)
371	22309502	FLUE PIPE (QTY 2)
451	M0501301	PIPE GROMMET
491	M0570808	BUTTON PLUG (QTY 4)
501	M0570806	BUTTON PLUG
511	M0570807	BUTTON PLUG
601	A4691701	GROMMET (QTY 2)
621	M0310345	BUTTON PLUG (QTY 2)
741	B1392104	UNIVERSAL BUSHING UB 875
NS	10195518Q	STANDPIPE BAG ASSY

Expanded Model Nomenclature

M1 - GCH90453BXAA
M2 - GCH90453BXAB
M3 - GCH90703BXAA
M4 - GCH90703BXAB
M5 - GCH90704CXAA
M6 - GCH90704CXAB
M7 - GCH90904CXAA
M8 - GCH90904CXAB
M9 - GCH90905DXAA
M10 - GCH90905DXAB
M11 - GCH91155DXAA
M12 - GCH91155DXAB
M13 - GCH91155DXAC

*Image 2:*

12	10254303	RUBBER COUPLING (QTY 2)
22	0163M00049	HOSE CLAMP (QTY 4)
32	M0119207	HOSE CLAMP
42	M0570807	BUTTON PLUG (QTY 2)
62	20201901	DRAIN HOSE
72	20201802	DRAIN TUBE (QTY 2)
82	20171701	DRAIN TRAP
112	20214203	DRAIN ANGLE
142	M0119205	HOSE CLAMP (QTY 3)
152	B2810816	2" MESH INSERT
162	B2810814	3" MESH INSERT
172	M0119206	HOSE CLAMP

# Blower Assembly

Image 1

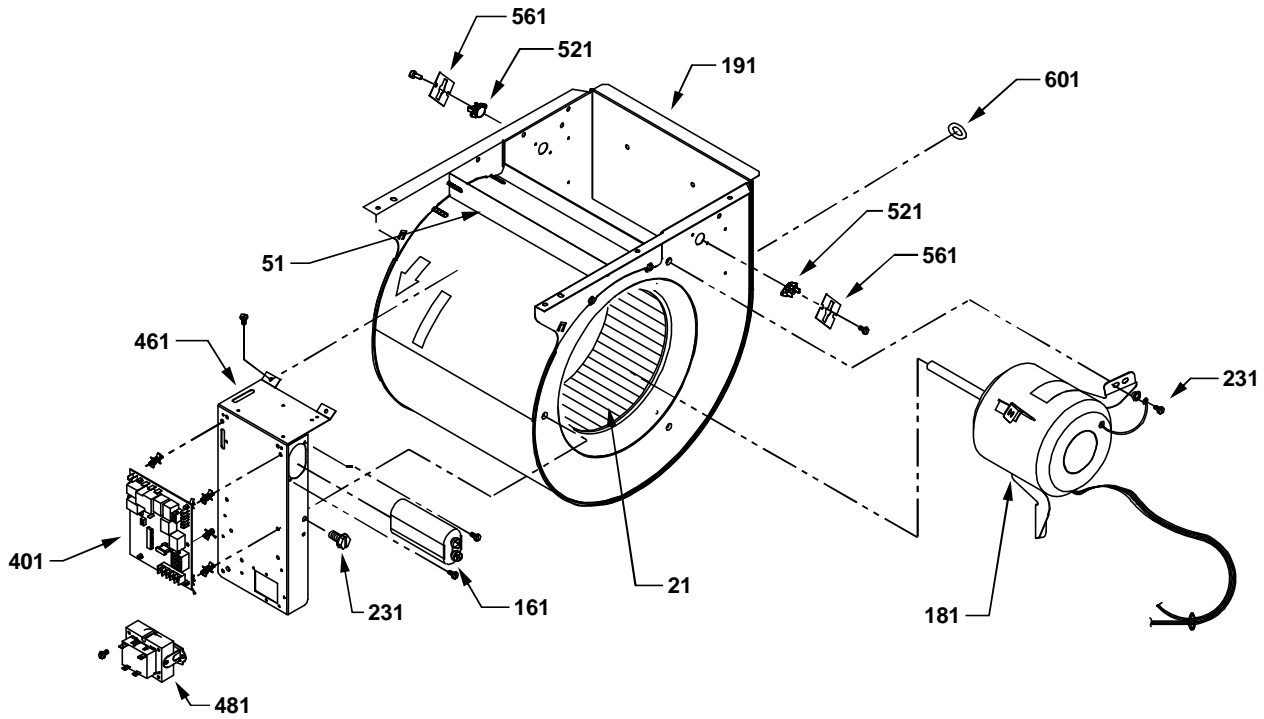
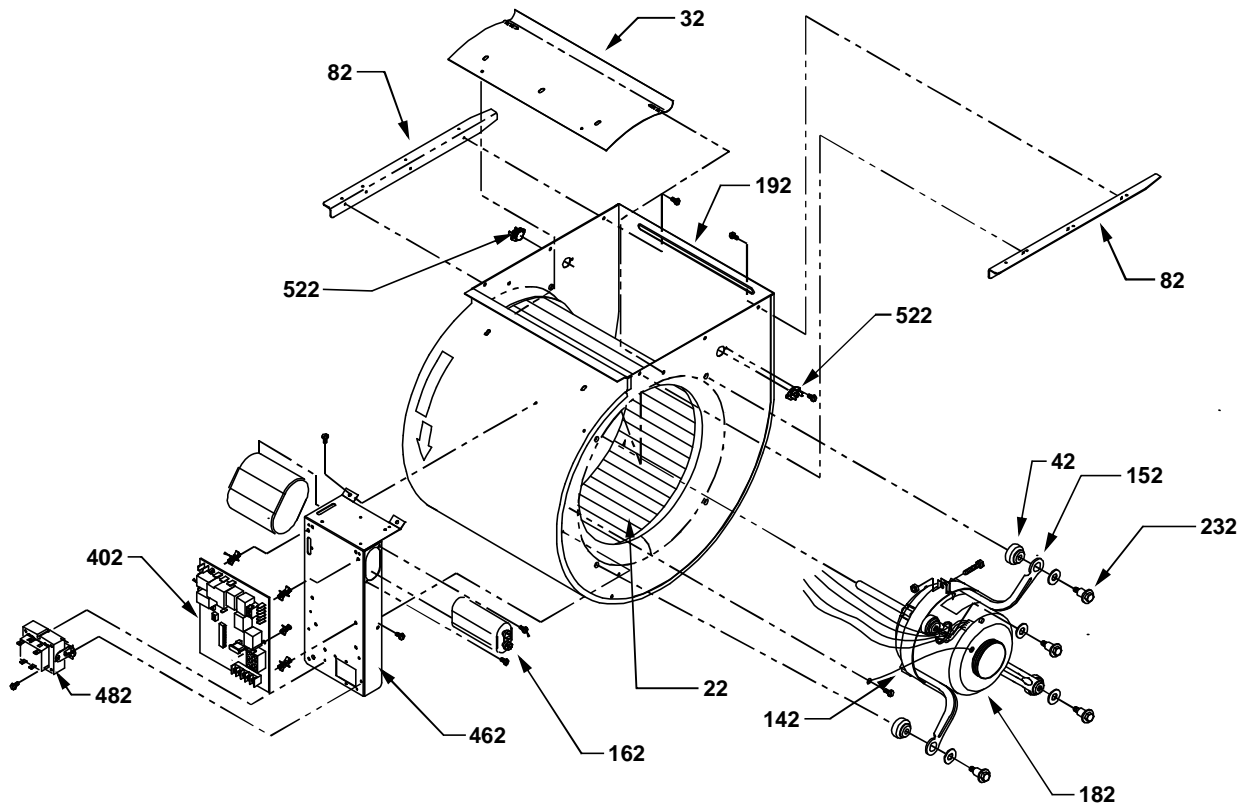


Image 2



# Blower Assembly

**Ref. Part  
No: No:**

**Description:**

**Ref. Part  
No: No:**

**Description:**

*Image 1:*

21	B1368047A	BLOWER WHEEL 10 X 10 (M5, M6, M7, M8)
21	B1368058S	BLOWER WHEEL 10 X 8 (M1, M2, M3, M4)
51	764741F	BLOWER BLOCK-OFF 10 X 10 (M5, M6, M7, M8)
51	764740F	BLOWER BLOCK-OFF 10 X 8 (M1, M2, M3, M4)
161	CAP125000370VAS	CAPACITOR 12.5/370V (M1, M2, M3, M4)
161	CAP200000370VAS	CAPACITOR 20/370V (M5, M6, M7, M8)
181	0131F00022	BLOWER MOTOR 1/2 HP, 4 SP, 6 PL (M5, M6, M7, M8)
181	0131F00020	BLOWER MOTOR 1/3 HP, 4 SP, 6 PL (M1, M2, M3, M4)
191	0271F00004P	BLOWER HOUSING ASSY 10 X 10 (M5, M6, M7, M8)
191	0271F00001PS	BLOWER HOUSING ASSY 10 X 8 (M1, M2, M3, M4)
231	M0250558	TC SCREW (M1, M2, M3, M4, M5, M6, M7, M8)
401	PCBBF122S	IGNITION BOARD, HSI INTEGRATED 2-STG
461	0121F00025P	CONTROL BRACKET
481	B1141605	TRANSFORMER 120V TO 24V, 40 VA
521	10123518	MANUAL RESET LIMIT (M5, M6)
521	10123519	MANUAL RESET LIMIT (M1, M2, M3, M4, M7, M8)
561	2509503F	AUXILIARY LIMIT BRACKET (M1, M2, M3, M4, M5, M6, M7, M8)
601	B1392021	PLASTIC PLUG, 1" (2713-BLK) (M1, M2, M3, M4, M5, M6, M7, M8)
NS	0259F00024	WIRE HARNESS-BLOWER

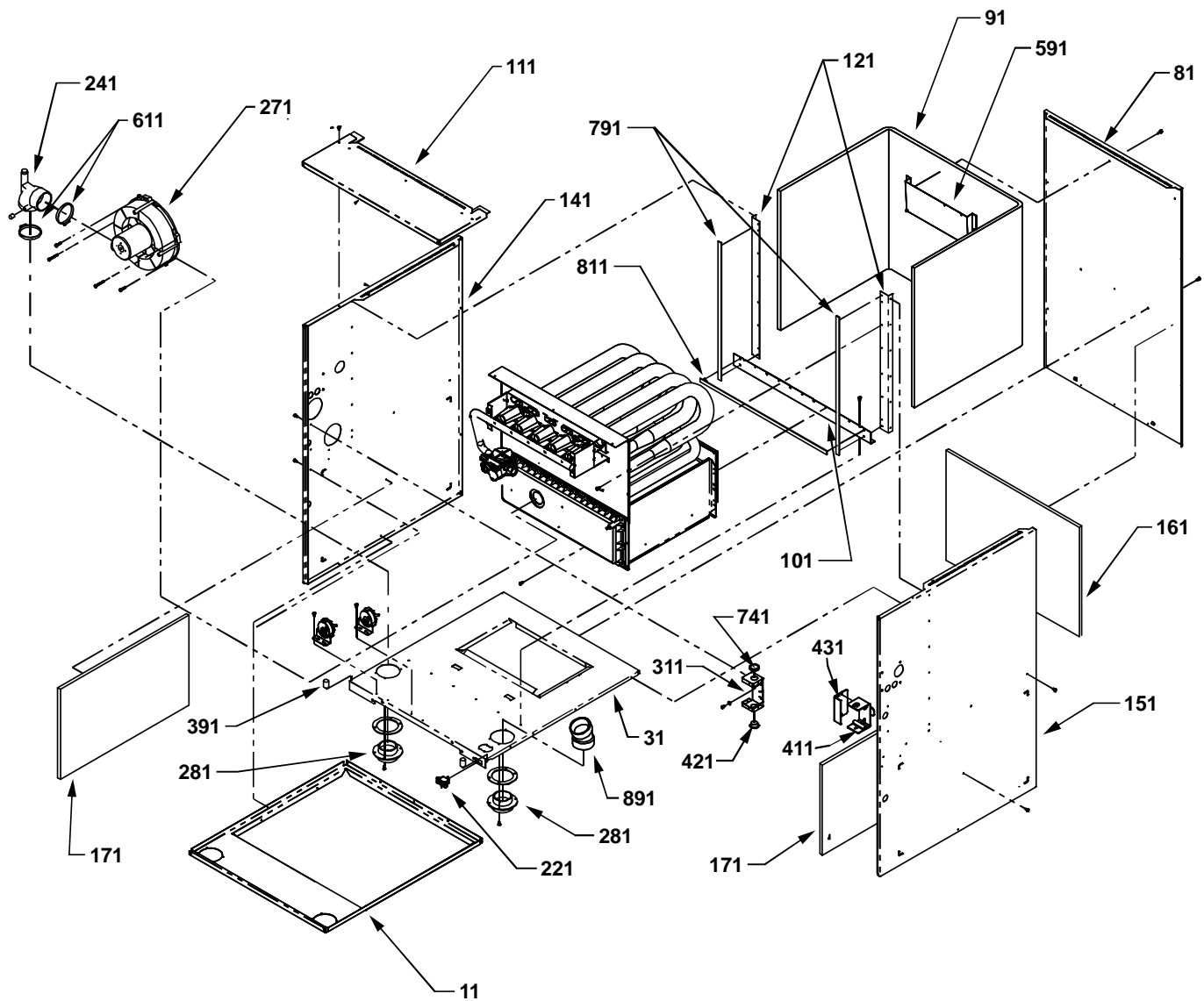
Expanded Model Nomenclature

M1 - GCH90453BXAA
M2 - GCH90453BXAB
M3 - GCH90703BXAA
M4 - GCH90703BXAB
M5 - GCH90704CXAA
M6 - GCH90704CXAB
M7 - GCH90904CXAA
M8 - GCH90904CXAB
M9 - GCH90905DXAA
M10 - GCH90905DXAB
M11 - GCH91155DXAA
M12 - GCH91155DXAB
M13 - GCH91155DXAC

*Image 2:*

22	D6723311S	BLOWER WHEEL (M9, M10, M11, M12, M13)
32	C6121807	BLOWER CUT-OFF (M9, M10, M11, M12, M13)
42	A4002701	BLOWER MOTOR GROMMET (M9, M10)
42	A4002702	BLOWER MOTOR GROMMET (M11, M12, M13)
82	20175101	BLOWER SIDE RAIL (M9, M10, M11, M12, M13)
142	10441601	MOTOR MOUNT BAND (M9, M10, M11, M12, M13)
152	10441501	MOTOR MOUNT ARM (M9, M10, M11, M12, M13)
162	CAP150000370VAS	CAPACITOR 15/370V (M9, M10, M11, M12, M13)
182	10759415S	BLOWER MOTOR 3/4 HP, 4 SP, 8 PL (M9, M10, M11, M12, M13)
192	0271F00047	BLOWER HOUSING ASSY 11 X 10 (M9, M10, M11, M12, M13)
232	M0221461	TC SCREW (M9, M10, M11, M12, M13)
402	PCBBF122S	IGNITION BOARD, HSI INTEGRATED 2-STG
462	0121F00025P	CONTROL BRACKET
482	B1141605	TRANSFORMER 120V TO 24V, 40 VA
522	10123518	MANUAL RESET LIMIT (M9, M10)
522	10123519	MANUAL RESET LIMIT (M11, M12)
522	0130F00038	PRIMARY LIMIT - LT BLUE 120° (M13)
NS	0259F00024	WIRE HARNESS-BLOWER

# Chassis

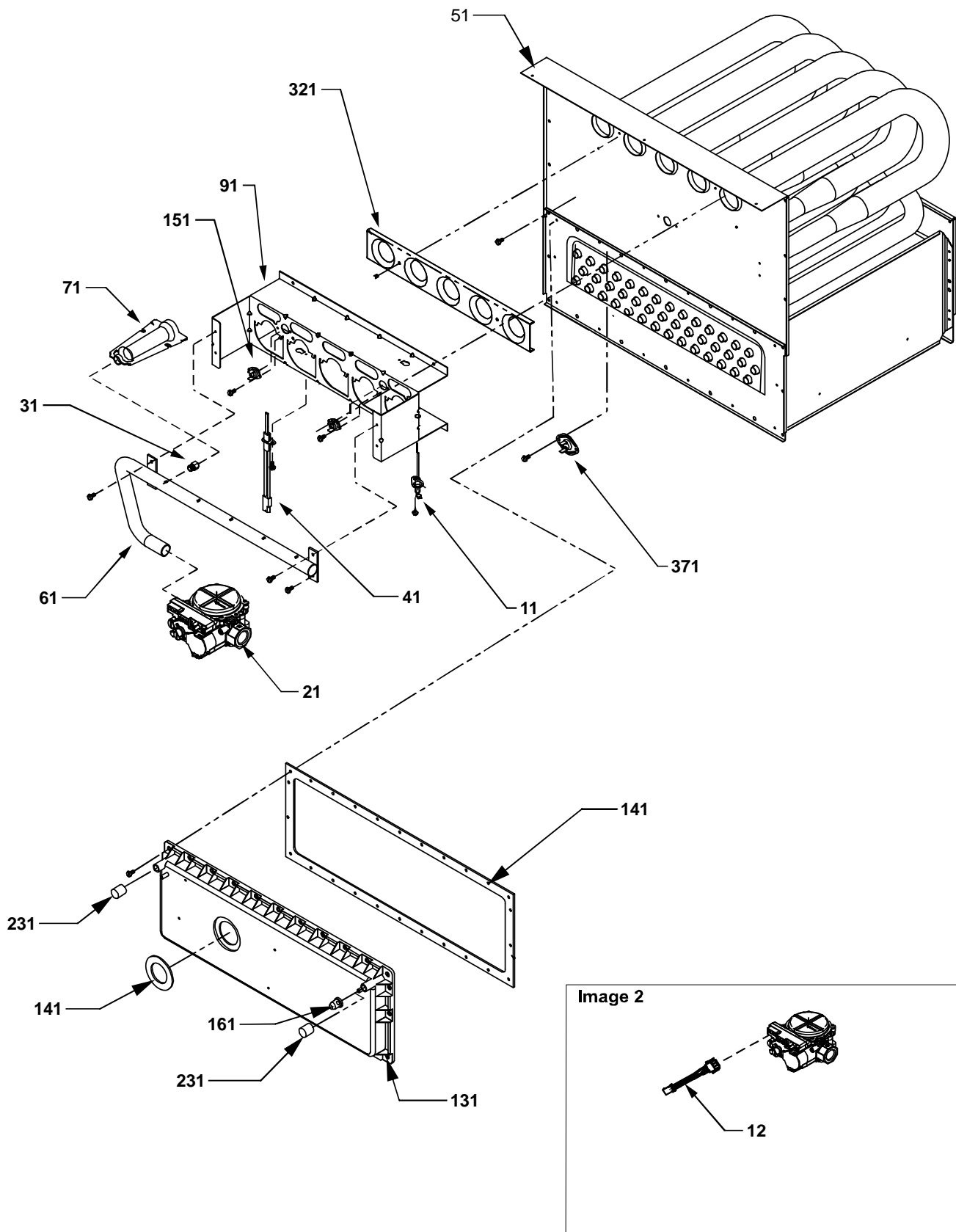




# Chassis

Ref. Part No:	No:	Description:	Ref. Part No:	No:	Description:													
<i>Image 1:</i>			<i>Image 1:</i>															
11	20273508	BASE PAN (M1, M2, M3, M4)	891	C6455901	ELBOW-22 1/2 ELL													
11	20273510	BASE PAN (M5, M6, M7, M8)	NS	0159F00002	HARNESS-WIRING (M1, M2, M3, M4, M5, M6, M7, M8, M9, M10, M11, M12)													
11	20273512	BASE PAN (M9, M10, M11, M12, M13)	NS	0159F00010	HARNESS-WIRING (M13)													
31	0121F00044	BLOWER DECK (M1, M2, M3, M4)	NS	0164M00008	HOSE-PRESSURE SW													
31	0121F00046	BLOWER DECK (M5, M6, M7, M8)	NS	0164M00010	HOSE-PRESSURE SW (M1, M2, M3, M4)													
31	0121F00049	BLOWER DECK (M9, M10, M11, M12, M13)	NS	0164M00011	PRESSURE SWITCH HOSE (M5, M6, M7, M8)													
81	20273214	BACK PANEL (M1, M2, M3, M4)	NS	0164M00013	PRESSURE SWITCH HOSE (M9, M10, M11, M12, M13)													
81	20273216	BACK PANEL (M5, M6, M7, M8)																
81	20273218	BACK PANEL (M9, M10, M11, M12, M13)																
91	C6415909	HEAT EXCHANGER INSULATION (M9, M10, M11, M12, M13)	Expanded Model Nomenclature															
91	C6415910	HEAT EXCHANGER INSULATION (M1, M2, M3, M4)	<table border="1"> <tr><td>M1 - GCH90453BXAA</td></tr> <tr><td>M2 - GCH90453BXAB</td></tr> <tr><td>M3 - GCH90703BXAA</td></tr> <tr><td>M4 - GCH90703BXAB</td></tr> <tr><td>M5 - GCH90704CXAA</td></tr> <tr><td>M6 - GCH90704CXAB</td></tr> <tr><td>M7 - GCH90904CXAA</td></tr> <tr><td>M8 - GCH90904CXAB</td></tr> <tr><td>M9 - GCH90905DXAA</td></tr> <tr><td>M10 - GCH90905DXAB</td></tr> <tr><td>M11 - GCH91155DXAA</td></tr> <tr><td>M12 - GCH91155DXAB</td></tr> <tr><td>M13 - GCH91155DXAC</td></tr> </table>			M1 - GCH90453BXAA	M2 - GCH90453BXAB	M3 - GCH90703BXAA	M4 - GCH90703BXAB	M5 - GCH90704CXAA	M6 - GCH90704CXAB	M7 - GCH90904CXAA	M8 - GCH90904CXAB	M9 - GCH90905DXAA	M10 - GCH90905DXAB	M11 - GCH91155DXAA	M12 - GCH91155DXAB	M13 - GCH91155DXAC
M1 - GCH90453BXAA																		
M2 - GCH90453BXAB																		
M3 - GCH90703BXAA																		
M4 - GCH90703BXAB																		
M5 - GCH90704CXAA																		
M6 - GCH90704CXAB																		
M7 - GCH90904CXAA																		
M8 - GCH90904CXAB																		
M9 - GCH90905DXAA																		
M10 - GCH90905DXAB																		
M11 - GCH91155DXAA																		
M12 - GCH91155DXAB																		
M13 - GCH91155DXAC																		
91	C6415911	HEAT EXCHANGER INSULATION (M5, M6, M7, M8)																
101	0121F00018P	DECK RAIL (M1, M2, M3, M4)																
101	0121F00019P	DECK RAIL (M5, M6, M7, M8)																
101	20191303	DECK RAIL (M9, M10, M11, M12, M13)																
111	0270F00103P	TOP COVER ASSY (M1, M2, M3, M4)																
111	0270F00104PS	TOP COVER ASSY (M5, M6, M7, M8)																
111	0270F00105P	TOP COVER ASSY (M9, M10, M11, M12, M13)																
121	20191602	SIDE RAIL (M1, M2, M3, M4)																
121	20191603	SIDE RAIL (M5, M6, M7, M8)																
121	20191604	SIDE RAIL (M9, M10, M11, M12, M13)																
141	0121F00093DG	SIDE PANEL LH																
151	0121F00091DG	SIDE PANEL RH																
161	20006601	INSULATION (M1, M2, M3, M4)																
161	20006602	INSULATION (M5, M6, M7, M8)																
161	20006603	INSULATION (M9, M10, M11, M12, M13)																
171	20006604	SIDE INSULATION (QTY 2)																
221	B1370818	INTERLOCK SWITCH																
241	20171802S	ELBOW																
271	22307501S	ID BLOWER																
281	20049701	FA COUPLING (QTY 2)																
311	10736102	HIGH VOLTAGE BOX (M1, M3, M5, M7, M9, M11)																
391	M0275521	PLASTIC SEALER																
411	0161F00004S	JUNCTION BOX (M2, M4, M6, M8, M10, M12, M13)																
421	A4554801	SNAP BUSHING (M1, M3, M5, M7, M9, M11)																
431	0161F00005S	JUNCTION BOX COVER (M2, M4, M6, M8, M10, M12, M13)																
591	11165107	ID BLOWER SHIELD																
611	0163M00049	HOSE CLAMP (QTY 2)																
741	B1392104	UNIVERSAL BUSHING UB 875 (M1, M3, M5, M7, M9, M11)																
791	20194608	GASKET (QTY 2)																
811	20194605	GASKET (M1, M2, M3, M4)																
811	20194606	GASKET (M5, M6, M7, M8)																
811	20194607	GASKET (M9, M10, M11, M12, M13)																

# Heat Exchanger / Manifold / Gas Valve



# Heat Exchanger / Manifold / Gas Valve

Ref. Part No:	Part No:	Description:	Ref. Part No:	Part No:	Description:
---------------	----------	--------------	---------------	----------	--------------

*Image 1:*

11	0130F00010	FLAME SENSOR
21	0151M00014	GAS VALVE - HONEYWELL 2-STAGE (M13)
21	0151F00000P	GAS VALVE - WHITE-RODGERS 2-STAGE (M1, M2, M3, M4, M5, M6, M7, M8, M9, M10, M11, M12)
31	10716003	ORIFICE (QTY AR)
41	0130F00008S	SINI IGNITOR
51	0257F00161S	HEAT EXCHANGER ASSY 2B (M1, M2)
51	0257F00157S	HEAT EXCHANGER ASSY 3B (M5, M6)
51	0257F00158S	HEAT EXCHANGER ASSY 3B (M3, M4)
51	0257F00154S	HEAT EXCHANGER ASSY 4B (M9, M10)
51	0257F00159S	HEAT EXCHANGER ASSY 4B (M7, M8)
51	0257F00162S	HEAT EXCHANGER ASSY 5B (M11, M12, M13)
61	20196401	MANIFOLD - 2 BRNR (M1, M2)
61	20196402	MANIFOLD - 3 BRNR (M3, M4, M5, M6)
61	20196403	MANIFOLD - 4 BRNR (M7, M8, M9, M10)
61	20196404	MANIFOLD - 5 BRNR (M11, M12, M13)
71	10735102S	BECKETT BURNER (QTY AR)
91	20190410	BURNER BRACKET 2B (M1, M2)
91	20190411	BURNER BRACKET 3B (M3, M4, M5, M6)
91	20190412	BURNER BRACKET 4B (M7, M8, M9, M10)
91	20190413	BURNER BRACKET 5B (M11, M12, M13)
131	20170801AS	FRONT COVER (M1, M2)
131	20170802AS	FRONT COVER (M3, M4)
131	20170901AS	FRONT COVER (M5, M6)
131	20170902AS	FRONT COVER (M7, M8)
131	20171001AS	FRONT COVER (M9, M10)
131	20171002AS	FRONT COVER (M11, M12, M13)
141	0154F00000P	COIL GASKET (M1, M2, M3, M4)
141	0154F00001P	COIL GASKET (M5, M6, M7, M8)
141	0154F00002P	COIL GASKET (M9, M10, M11, M12, M13)
151	10123517	MANUAL RESET LIMIT (M1, M2, M3, M4, M5, M6, M11, M12, M13)
151	10123534	MANUAL RESET LIMIT 220°F (M7, M8, M9, M10)
161	M0326804	TUBE PLUG
231	A1781105	CAP-VINYL .500 (QTY 2)
321	11072201	ORIFICE SHIELD (M1, M2)
321	11072202	ORIFICE SHIELD (M3, M4, M5, M6)
321	11072203	ORIFICE SHIELD (M7, M8, M9, M10)
321	11072204	ORIFICE SHIELD (M11, M12, M13)
371	20162907	PRIMARY LIMIT (M11, M12, M13)
371	20162906	PRIMARY LIMIT - WHITE (M1, M2, M3, M4, M5, M6, M9, M10)
371	20162904	PRIMARY LIMIT-TEMPERATURE CONTROL (M7, M8)

Expanded Model Nomenclature

M1 - GCH90453BXAA
M2 - GCH90453BXAB
M3 - GCH90703BXAA
M4 - GCH90703BXAB
M5 - GCH90704CXAA
M6 - GCH90704CXAB
M7 - GCH90904CXAA
M8 - GCH90904CXAB
M9 - GCH90905DXAA
M10 - GCH90905DXAB
M11 - GCH91155DXAA
M12 - GCH91155DXAB
M13 - GCH91155DXAC

*Image 2:*

12	0259M00005	WIRE HARNESS, ADAPTOR (M13)
----	------------	-----------------------------

**THIS PAGE INTENTIONALLY LEFT BLANK**