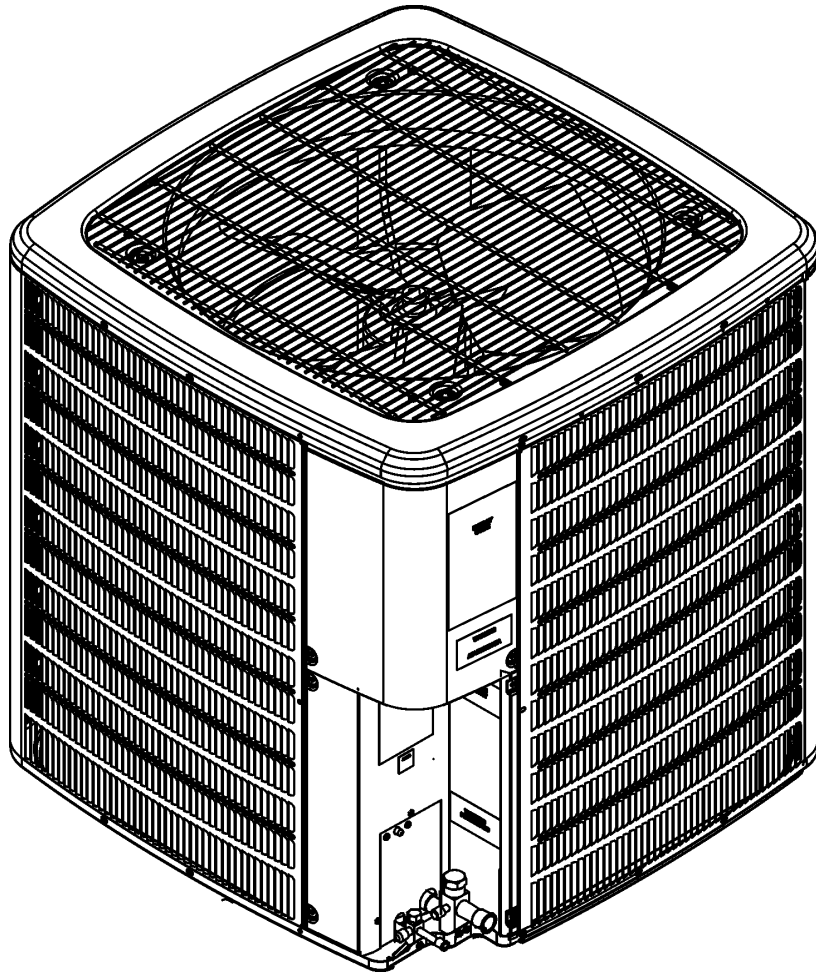


REPAIR PARTS

DSZC 16/18 SEER Remote Heat Pump

DSZC160241AA
DSZC160241AB
DSZC160241AC
DSZC160241AD
DSZC160241AE
DSZC160361AA
DSZC160361AB
DSZC160361AC
DSZC160361AD
DSZC160361AE
DSZC160481AA
DSZC160481AB
DSZC160481AC
DSZC160481AD
DSZC160601AA
DSZC160601AB
DSZC160601BA
DSZC160601BB
DSZC180361AA
DSZC180361AB
DSZC180361AC
DSZC180361AD
DSZC180481AA
DSZC180481AB
DSZC180481AC
DSZC180601AA
DSZC180601AB
DSZC180601BA



This manual is to be used by qualified technicians only.

This manual replaces RP-581B.

© 2009-2012 Goodman Manufacturing Company, L.P. ♦ 5151 San Felipe, Suite 500 ♦ Houston, TX 77056

Important Information

Index

Functional Parts List	3
Illustration and Parts	4 - 9

Views shown are for parts illustrations only, not servicing procedures.

Rev C: Added models DSZC16[024-048]1AD, DSZC160601BB, DSZC16[024,036]1AE and DSZC180361AD.

Text Codes:

AR - As Required

NA - Not Available

NS - Not Shown

00000000 - See Note

QTY - Quantity Example (QTY 3) (If Quantity not shown, Quantity = 1)

M - Model Example (M1) (If M Code not shown, then part is used on all Models)

Expanded Model Nomenclature:

Example M1 - Model#1 M2 - Model#2 M3 - Model#3

Goodman Manufacturing Company, L.P. is not responsible for personal injury or property damage resulting from improper service. Review all service information before beginning repairs.

Warranty service must be performed by an authorized technician, using authorized factory parts. If service is required after the warranty expires, Goodman Manufacturing Company, L.P. also recommends contacting an authorized technician and using authorized factory parts.

Goodman Manufacturing Company, L.P. reserves the right to discontinue, or change at any time, specifications or designs without notice or without incurring obligations.

For assistance within the U.S.A. contact:
Consumer Affairs Department
Goodman Manufacturing Company, L.P.
7401 Security Way
Houston, Texas 77040
877-254-4729-Telephone
713-863-2382-Facsimile

For assistance outside the U.S.A. contact:
International Division
Goodman Manufacturing Company, L.P.
7401 Security Way
Houston, Texas 77040
713-861-2500-Telephone
713-863-2382-Facsimile

Functional Parts

Part

No: Description:

Part No:	Description:		
B12825171	3/8" SERVICE VALVE	0151R00033	VALVE, BASE 7/8" OPEN LEFT (M6, M7, M8, M9, M10, M11, M12, M13, M14, M15, M16, M17, M18, M19, M20, M21, M22, M23, M24, M25, M26, M27, M28)
CAP050350440RS	CAPACITOR 5/35/440V (M1, M2, M3, M4, M5)		
CAP050400440RT	CAPACITOR 5/40/440V (M6, M7, M8, M9, M10, M19, M20, M21, M22)		
CAP050450440RT	CAPACITOR 5/45/440V (M11, M12, M13, M14, M23, M24, M25)		
CAP050800440RT	CAPACITOR 5/80/440V (M15, M16, M17, M18, M26, M27, M28)		
ZPS20K5EPFV130	COMP, 20000,208/130 (M3, M4, M5)		
ZPS30K5EPFV130	COMP,30000,208/130 (M8, M9, M10, M19, M20, M21, M22)		
ZPS49K4EPFV230	COMP,49200,208/230/60/1/2STG (M17, M18, M28)		
ZPS20K4EPFV230	COMPRESSOR 20000, 208/230/60/1/2STG (M1, M2)		
ZPS30K4EPFV230	COMPRESSOR 30000, 208/230/60/1/2STG (M6, M7)		
ZPS40K4EPFV230	COMPRESSOR 40000, 208/230/60/1/2STG (M11, M12, M13, M14, M23, M24, M25)		
ZPS51K4EPFV230	COMPRESSOR 52000, 208/230/60/1/2STG (M15, M16, M26, M27)		
0131M00115	COND MOTOR 1/6 HP, 2 SP, 8 PL (M1, M2, M3, M4, M5, M6, M7, M8, M9, M10, M11, M12, M13, M14, M15, M16, M17, M18)		
0131M00129	COND MOTOR-ECM (M19, M20, M21, M22, M23, M24, M25, M26, M27, M28)		
0130R00045	CRANKCASE HEATER SWITCH (M3, M4, M5, M8, M9, M10, M13, M14, M17, M18, M19, M20, M21, M22, M25, M28)		
10625737	FAN BLADE 22" ALUM CCW (M1, M2, M3, M4, M5)		
10625738S	FAN BLADE 26" ALUM CCW (M6, M7, M8, M9, M10, M11, M12, M13, M14, M15, M16, M17, M18)		
0150M00010	FAN BLADE 26" ALUM CCW (M19, M20, M21, M22, M23, M24, M25, M26, M27, M28)		
0162M00027	FLOWRATOR .188 (M6, M7, M8, M9, M10, M11, M12, M13, M14, M15, M16, M17, M18, M19, M20, M21, M22, M23, M24, M25, M26, M27, M28)		
0162M00045	FLOWRATOR .188 (M1, M2, M3, M4, M5)		
0163R00006	HEATER, CRANKCASE 230V, 40W (M3, M4, M5, M8, M9, M10, M19, M20, M21, M22)		
0163R00007	HEATER, CRANKCASE 230V, 40W (M13, M14, M17, M18, M25, M28)		
0130R00003	HIGH PRESSURE SWITCH		
0130R00002	LOW PRESSURE SWITCH		
0130M00054	OUTDOOR AIR TEMP SENSOR		
0130M00053	OUTDOOR COIL TEMP SENSOR		
PCBHR103	PCB, Control Board		
0151R00032	VALVE, BASE 3/4" OPEN LEFT (M1, M2, M3, M4, M5)		

SPECIAL PARTS

0161R00009P NAMEPLATE

Expanded Model Nomenclature

M1 - DSZC160241AA
M2 - DSZC160241AB
M3 - DSZC160241AC
M4 - DSZC160241AD
M5 - DSZC160241AE
M6 - DSZC160361AA
M7 - DSZC160361AB
M8 - DSZC160361AC
M9 - DSZC160361AD
M10 - DSZC160361AE
M11 - DSZC160481AA
M12 - DSZC160481AB
M13 - DSZC160481AC
M14 - DSZC160481AD
M15 - DSZC160601AA
M16 - DSZC160601AB
M17 - DSZC160601BA
M18 - DSZC160601BB
M19 - DSZC180361AA
M20 - DSZC180361AB
M21 - DSZC180361AC
M22 - DSZC180361AD
M23 - DSZC180481AA
M24 - DSZC180481AB
M25 - DSZC180481AC
M26 - DSZC180601AA
M27 - DSZC180601AB
M28 - DSZC180601BA

Cabinet Top / Side Panels

IMAGE 1

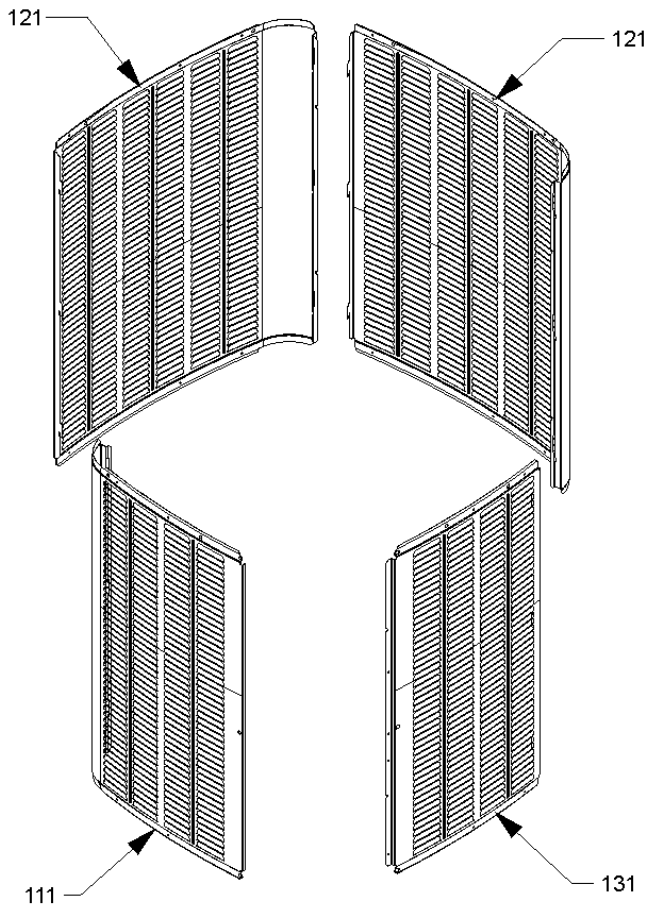
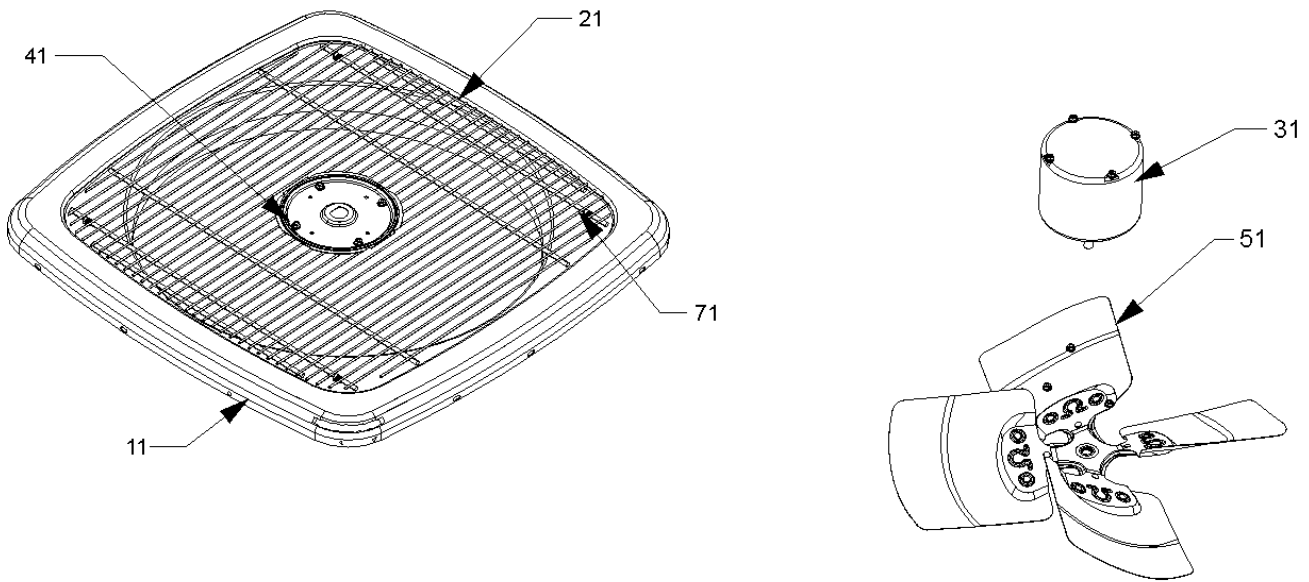
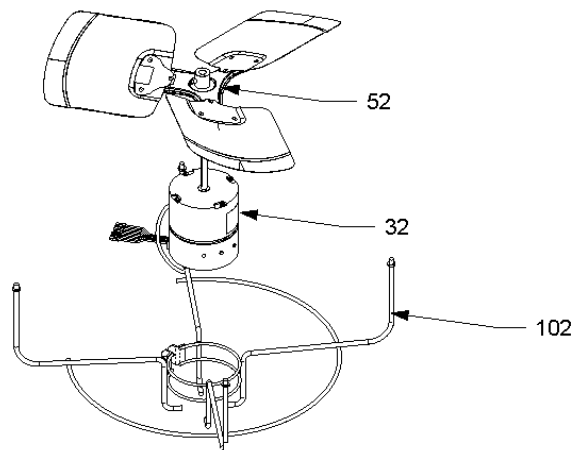


IMAGE 2



Cabinet Top / Side Panels

Ref. Part No: No:	Description:	Ref. Part No: No:	Description:
<i>Image 1:</i>		Expanded Model Nomenclature	
11	0121R00011PDG VENTURI TOP PANEL 29" (M1, M2, M3, M4, M5)	M1 - DSZC160241AA	
11	0121R00013PDG VENTURI TOP PANEL 35" (M6, M7, M8, M9, M10, M11, M12, M13, M14, M15, M16, M17, M18, M19, M20, M21, M22, M23, M24, M25, M26, M27, M28)	M2 - DSZC160241AB	
21	0152R00011 GRILLE, WIRE 29" TOP (M1, M2, M3, M4, M5)	M3 - DSZC160241AC	
21	0152R00012 GRILLE, WIRE 35" TOP (M6, M7, M8, M9, M10, M11, M12, M13, M14, M15, M16, M17, M18, M19, M20, M21, M22, M23, M24, M25, M26, M27, M28)	M4 - DSZC160241AD	
31	0131M00115 COND MOTOR 1/6 HP, 2 SP, 8 PL (M1, M2, M3, M4, M5, M6, M7, M8, M9, M10, M11, M12, M13, M14, M15, M16, M17, M18)	M5 - DSZC160241AE	
41	M0280801 HEX NUT (M1, M2, M3, M4, M5, M6, M7, M8, M9, M10, M11, M12, M13, M14, M15, M16, M17, M18)	M6 - DSZC160361AA	
51	10625737 FAN BLADE 22" ALUM CCW (M1, M2, M3, M4, M5)	M7 - DSZC160361AB	
51	10625738S FAN BLADE 26" ALUM CCW (M6, M7, M8, M9, M10, M11, M12, M13, M14, M15, M16, M17, M18)	M8 - DSZC160361AC	
71	0163M00003P SCREW #10 X 1/2, A, SLOT, SR, BLACK (QTY 6)	M9 - DSZC160361AD	
111	0121R00027PDGB LOUVERED SIDE PANEL [LT OF CNTL PNL] (M1, M2, M3, M4, M5)	M10 - DSZC160361AE	
111	0121R00043PDGB LOUVERED SIDE PANEL [LT OF CNTL PNL] (M6, M7, M8, M9, M10, M11, M12, M13, M14, M15, M16, M17, M18)	M11 - DSZC160481AA	
111	0270R00484DGB LOUVERED SIDE PANEL [LT OF CNTL PNL] (M19, M20, M21, M22, M23, M24, M25, M26, M27, M28)	M12 - DSZC160481AB	
121	0121R00033PDGB LOUVERED SIDE PANEL (M1, M2, M3, M4, M5)	M13 - DSZC160481AC	
121	0121R00047PDGB LOUVERED SIDE PANEL (M6, M7, M8, M9, M10, M11, M12, M13, M14, M15, M16, M17, M18)	M14 - DSZC160481AD	
121	0270R00485DGB LOUVERED SIDE PANEL (M19, M20, M21, M22, M23, M24, M25, M26, M27, M28)	M15 - DSZC160601AA	
131	0121R00039PDG LOUVERED SIDE PANEL [RT OF CNTL PNL] (M1, M2, M3, M4, M5)	M16 - DSZC160601AB	
131	0121R00051PDG LOUVERED SIDE PANEL [RT OF CNTL PNL] (M6, M7, M8, M9, M10, M11, M12, M13, M14, M15, M16, M17, M18)	M17 - DSZC160601BA	
131	0270R00486DG LOUVERED SIDE PANEL [RT OF CNTL PNL] (M19, M20, M21, M22, M23, M24, M25, M26, M27, M28)	M18 - DSZC160601BB	
NS	0161R00002P CONDUIT (M1, M2, M3, M4, M5)	M19 - DSZC180361AA	
NS	0161R00004P CONDUIT (M6, M7, M8, M9, M10, M11, M12, M13, M14, M15, M16, M17, M18)	M20 - DSZC180361AB	
		M21 - DSZC180361AC	
		M22 - DSZC180361AD	
		M23 - DSZC180481AA	
		M24 - DSZC180481AB	
		M25 - DSZC180481AC	
		M26 - DSZC180601AA	
		M27 - DSZC180601AB	
		M28 - DSZC180601BA	
<i>Image 2:</i>			
32	0131M00129 COND MOTOR-ECM (M19, M20, M21, M22, M23, M24, M25, M26, M27, M28)		
52	0150M00010 FAN BLADE 26" ALUM CCW (M19, M20, M21, M22, M23, M24, M25, M26, M27, M28)		
102	0121R00301 BRACKET, MOTOR MOUNT (M19, M20, M21, M22, M23, M24, M25, M26, M27, M28)		
NS	B1393024 LOCK NUT (M19, M20, M21, M22, M23, M24, M25, M26, M27, M28)		

Control & Access Panel/Cover/Cond Coil

Image 1

*If end bells are needed please order the following:

0131M00182 - 1/2 HP

0131M00183 - 3/4 HP

0131M00184 - 1 HP

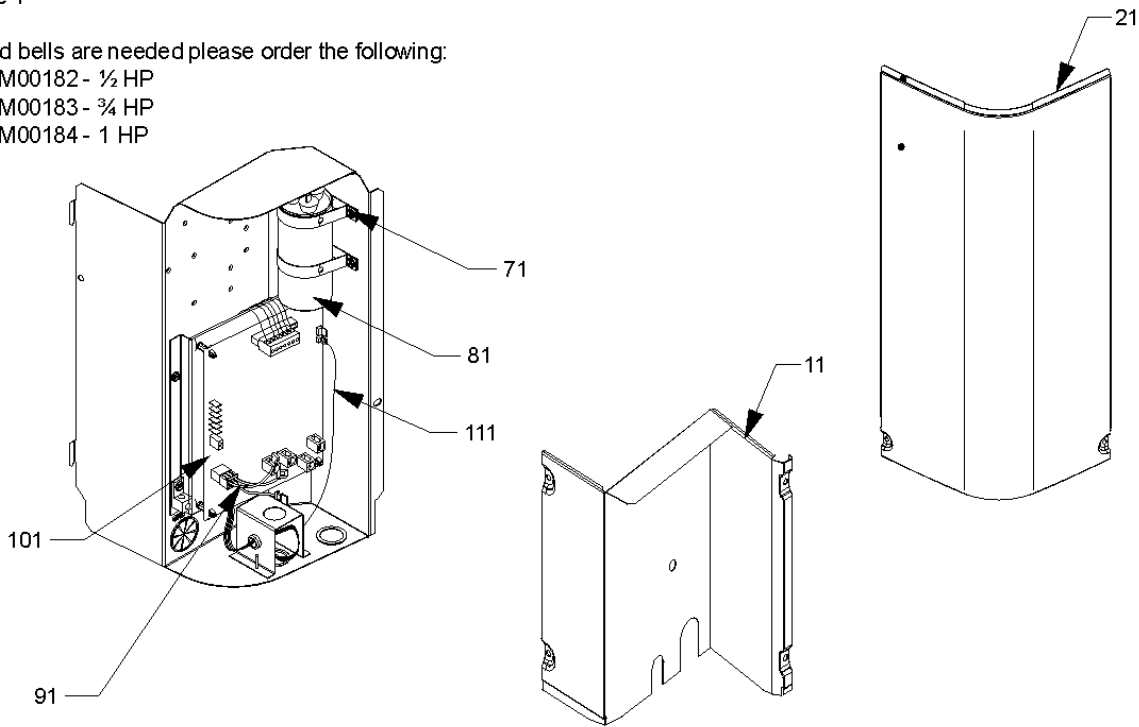
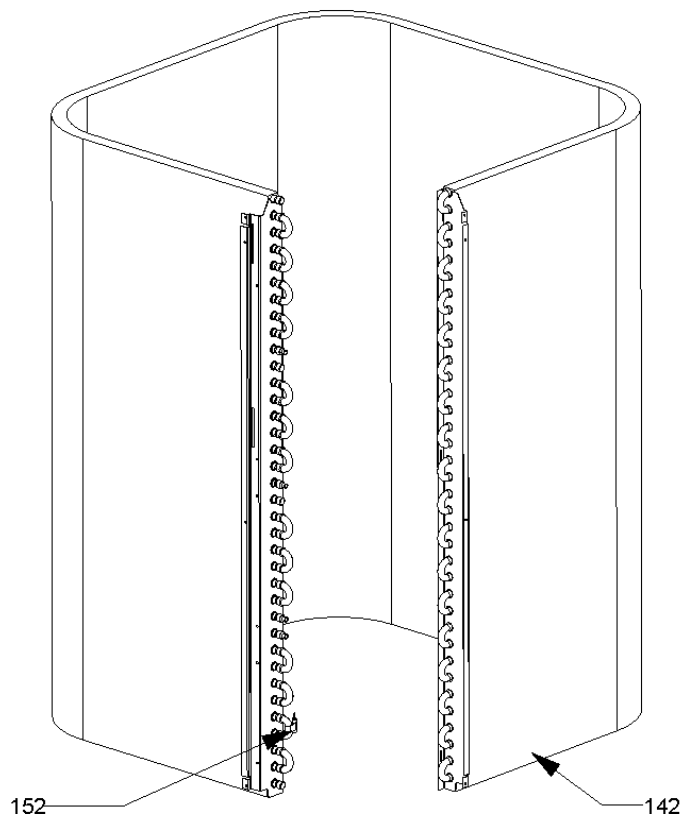


Image 2



Control & Access Panel/Cover/Cond Coil

Ref. Part No: No:	Description:	Ref. Part No: No:	Description:
-------------------	--------------	-------------------	--------------

Image 1:

11	0121R00317	LOWER ACCESS PANEL
21	0121R00054PDG	CONTROL COVER
71	0121R00213	CAPACITOR STRAP (QTY 2)
81	CAP050350440RS	CAPACITOR 5/35/440V (M1, M2, M3, M4, M5)
81	CAP050400440RT	CAPACITOR 5/40/440V (M6, M7, M8, M9, M10, M19, M20, M21, M22)
81	CAP050450440RT	CAPACITOR 5/45/440V (M11, M12, M13, M14, M23, M24, M25)
81	CAP050800440RT	CAPACITOR 5/80/440V (M15, M16, M17, M18, M26, M27, M28)
91	0159R00006	WIRE ASSY, ECM MOTOR (M19, M20, M21, M22, M24, M25, M26, M27, M28)
91	0159R00005	WIRE ASSY, PSC MOTOR (M1, M2, M3, M4, M5, M6, M7, M8, M9, M10, M11, M12, M13, M14, M15, M16, M18)
101	PCBHR103	PCB, Control Board
111	0130M00054	OUTDOOR AIR TEMP SENSOR
NS	0161R00009P	NAMEPLATE

Image 2:

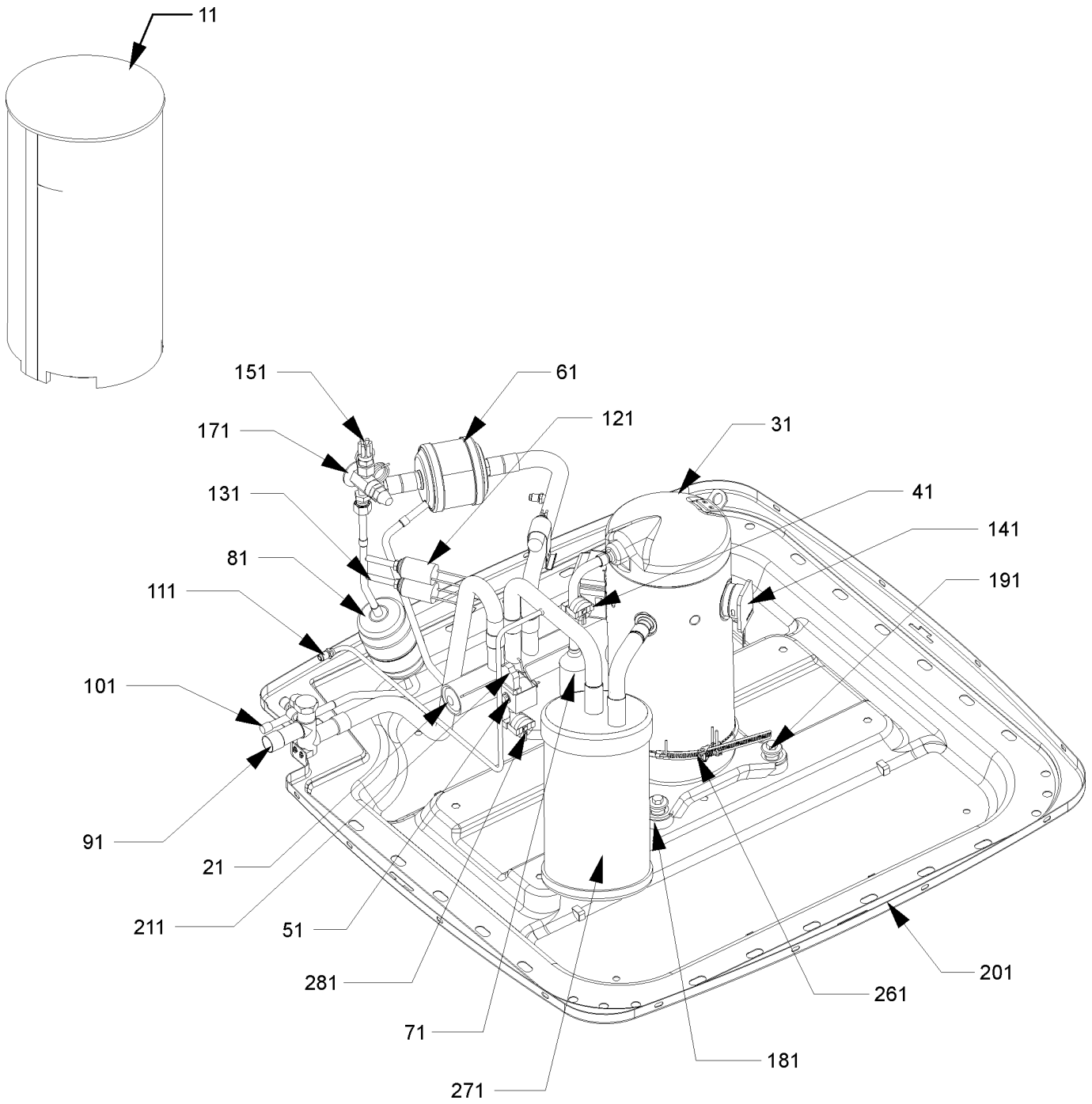
142	0201R00200	COIL TUBING ASSY (M1, M2)
142	0201R00201	COIL TUBING ASSY (M6, M7)
142	0201R00203	COIL TUBING ASSY (M11, M12, M15, M16, M23, M24, M26, M27)
142	0201R00204	COIL TUBING ASSY (M19, M20)
142	0201R00341	COIL TUBING ASSY (M13, M14, M17, M18, M25, M28)
142	0201R00346	COIL TUBING ASSY (M3, M4, M5)
142	0201R00347	COIL TUBING ASSY (M8, M9, M10)
142	0201R00348	COIL TUBING ASSY (M21, M22)
152	0130M00053	OUTDOOR COIL TEMP SENSOR

Expanded Model Nomenclature

M1 - DSZC160241AA
M2 - DSZC160241AB
M3 - DSZC160241AC
M4 - DSZC160241AD
M5 - DSZC160241AE
M6 - DSZC160361AA
M7 - DSZC160361AB
M8 - DSZC160361AC
M9 - DSZC160361AD
M10 - DSZC160361AE
M11 - DSZC160481AA
M12 - DSZC160481AB
M13 - DSZC160481AC
M14 - DSZC160481AD
M15 - DSZC160601AA
M16 - DSZC160601AB
M17 - DSZC160601BA
M18 - DSZC160601BB
M19 - DSZC180361AA
M20 - DSZC180361AB
M21 - DSZC180361AC
M22 - DSZC180361AD
M23 - DSZC180481AA
M24 - DSZC180481AB
M25 - DSZC180481AC
M26 - DSZC180601AA
M27 - DSZC180601AB
M28 - DSZC180601BA

*If end bells are needed please order the following:
 0131M00182 - 1/2 HP
 0131M00183 - 3/4 HP
 0131M00184 - 1 HP

Basepan / Compressor / Tubing Assembly



Basepan / Compressor / Tubing Assembly

Ref. Part No:	Description:	Ref. Part No:	Description:
<i>Image 1:</i>		<i>Image 1:</i>	
11 B1488806	COMPRESSOR SOUND BLANKET (M1, M2, M6, M7, M11, M12, M13, M14, M15, M16, M17, M18, M19, M20, M23, M24, M25, M26, M27, M28)	261 0163R00006	HEATER, CRANKCASE 230V, 40W (M3, M4, M5, M8, M9, M10, M19, M20, M21, M22)
11 B1488810	COMPRESSOR SOUND BLANKET (M3, M4, M5, M8, M9, M10, M21, M22)	261 0163R00007	HEATER, CRANKCASE 230V, 40W (M13, M14, M17, M18, M25, M28)
21 0151M00018	REVERSING VALVE (M1, M2, M3, M4, M5)	271 0151L00008	ACCUMULATOR (M3, M4, M5)
21 0151M00021	REVERSING VALVE (M6, M7, M8, M9, M10, M11, M13, M14, M15, M16, M17, M18, M19, M20, M21, M22, M23, M24, M25, M26, M27, M28)	271 0151L00009	ACCUMULATOR (M8, M9, M10, M21, M22)
31 ZPS20K5EPFV130	COMP, 20000,208/130 (M3, M4, M5)	271 0151L00010	ACCUMULATOR (M13, M14, M17, M18, M25, M28)
31 ZPS30K5EPFV130	COMP,30000,208/130 (M8, M9, M10, M19, M20, M21, M22)	281 0130R00045	CRANKCASE HEATER SWITCH (M3, M4, M5, M8, M9, M10, M13, M14, M17, M18, M19, M20, M21, M22, M25, M28)
31 ZPS49K4EPFV230	COMP,49200,208/230/60/1/2STG (M17, M18, M28)	NS B1373305	ACCESS FITTING
31 ZPS20K4EPFV230	COMPRESSOR 20000, 208/230/60/1/2STG (M1, M2)	NS 0163M00175	CAP WITH O-RING
31 ZPS30K4EPFV230	COMPRESSOR 30000, 208/230/60/1/2STG (M6, M7)	NS B1796633	TEFLON O-RING (QTY 2)
31 ZPS40K4EPFV230	COMPRESSOR 40000, 208/230/60/1/2STG (M11, M13, M14, M23, M24, M25)	Expanded Model Nomenclature	
31 ZPS51K4EPFV230	COMPRESSOR 52000, 208/230/60/1/2STG (M15, M16, M26, M27)	M1 - DSZC160241AA	
41 11046710	DISC-THERMOSTAT	M2 - DSZC160241AB	
51 B1225022	SOLENOID COIL	M3 - DSZC160241AC	
61 20270812	COMPENSATOR (M11, M12, M13, M14, M15, M16, M17, M18, M19, M20, M21, M22, M23, M24, M25, M26, M27, M28)	M4 - DSZC160241AD	
61 0151R00005	COMPENSATOR 16 OZ (M6, M7, M8, M9, M10)	M5 - DSZC160241AE	
61 0151R00006	COMPENSATOR 3.5 (M1, M2, M3, M4, M5)	M6 - DSZC160361AA	
71 0162R00007	MUFFLER 1/2 X 1/2 (M1, M2, M3, M4, M5, M6, M7, M8, M9, M10, M11, M12, M13, M14, M15, M16, M17, M18, M21, M22, M23, M24, M25, M26, M27, M28)	M7 - DSZC160361AB	
71 B1219301	MUFFLER 1/2 X 1/2 (M19, M20)	M8 - DSZC160361AC	
81 20485201	BI-FLOW FILTER DRIER	M9 - DSZC160361AD	
91 0151R00032	VALVE, BASE 3/4" OPEN LEFT (M1, M2, M3, M4, M5)	M10 - DSZC160361AE	
91 0151R00033	VALVE, BASE 7/8" OPEN LEFT (M6, M7, M8, M9, M10, M11, M12, M13, M14, M15, M16, M17, M18, M19, M20, M21, M22, M23, M24, M25, M26, M27, M28)	M11 - DSZC160481AA	
101 B12825171	3/8" SERVICE VALVE	M12 - DSZC160481AB	
111 B1787000	VALVE CORE	M13 - DSZC160481AC	
121 0130R00003	HIGH PRESSURE SWITCH	M14 - DSZC160481AD	
131 0130R00002	LOW PRESSURE SWITCH	M15 - DSZC160601AA	
141 0130M00005P	WIRE HARNESS, COMPRESSOR SOLENOID	M16 - DSZC160601AB	
151 0162M00027	FLOWRATOR .188 (M6, M7, M8, M9, M10, M11, M12, M13, M14, M15, M16, M17, M18, M19, M20, M21, M22, M23, M24, M25, M26, M27, M28)	M17 - DSZC160601BA	
151 0162M00045	FLOWRATOR .188 (M1, M2, M3, M4, M5)	M18 - DSZC160601BB	
171 0151M00002	TXV VALVE (M6, M7, M8, M9, M10, M19, M20, M21, M22)	M19 - DSZC180361AA	
171 0151M00004	TXV VALVE (M1, M2, M3, M4, M5)	M20 - DSZC180361AB	
171 0151M00010	TXV VALVE (M11, M12, M13, M14, M15, M16, M17, M18, M23, M24, M25, M26, M27, M28)	M21 - DSZC180361AC	
181 0164M00018	COMPRESSOR GROMMET (M19, M20, M21, M22, M24, M25, M26, M27, M28)	M22 - DSZC180361AD	
181 B1339533	COMPRESSOR GROMMET (M1, M2, M3, M4, M5, M6, M7, M8, M9, M10, M11, M12, M13, M14, M15, M16, M18)	M23 - DSZC180481AA	
191 M0221641	TF SHOULDER SCREW (QTY 4)	M24 - DSZC180481AB	
201 0121R00006PDG	BASE PAN 29" (M1, M2, M3, M4, M5)	M25 - DSZC180481AC	
201 0121R00007PDG	BASE PAN 35" (M6, M7, M8, M9, M10, M11, M12, M13, M14, M15, M16, M17, M18, M19, M20, M21, M22, M23, M24, M25, M26, M27, M28)	M26 - DSZC180601AA	
211 B1225024	SOLENOID COIL CORD W/1/4"TERMI (M1, M6, M11, M15, M19, M23, M26)	M27 - DSZC180601AB	
211 0130M00084	SOLENOID HARNESS W/1/4" TERM (M2, M3, M4, M5, M6, M7, M8, M9, M10, M12, M13, M14, M16, M17, M18, M21, M22, M24, M25, M27, M28)	M28 - DSZC180601BA	