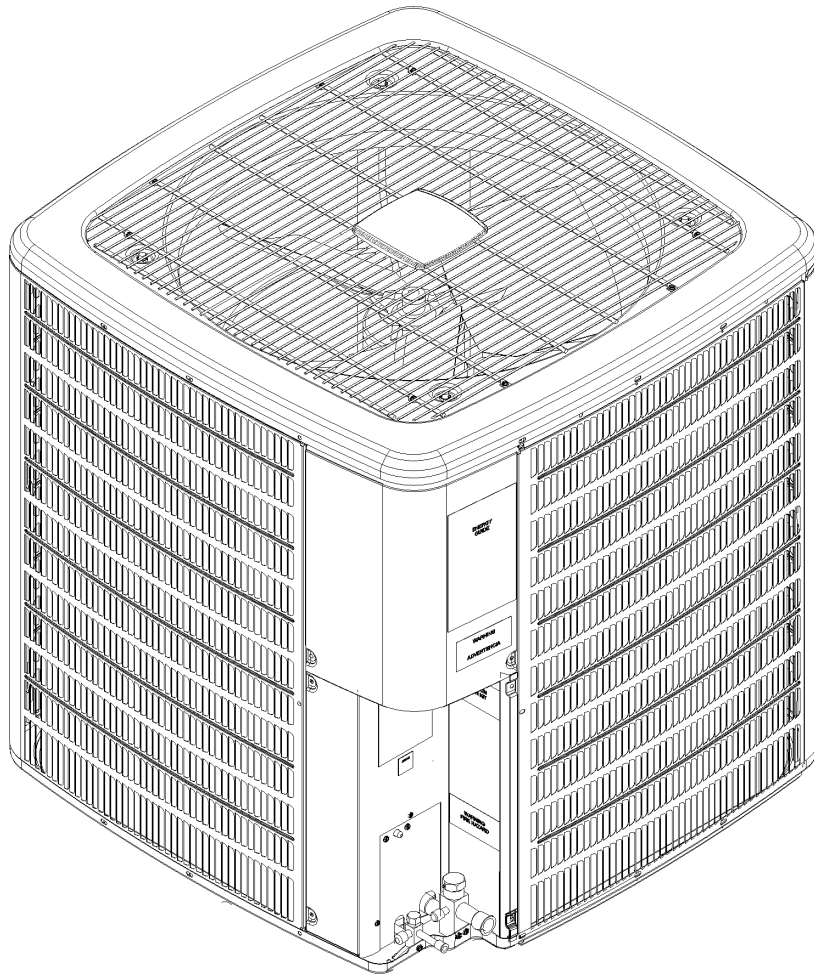




REPAIR PARTS

DSZ16 & DSZ18 R410A Remote Heat Pump Unit

DSZ160241AA
DSZ160361AA
DSZ160481AA
DSZ160601AA
DSZ180361AA
DSZ180481AA
DSZ180601AA



This manual is to be used by qualified technicians only.

This manual replaces RP-573.

© 2009 Goodman Manufacturing Company, L.P. ♦ 5151 San Felipe, Suite 500 ♦ Houston, TX 77056

Important Information

Index

Functional Parts List	3
Illustration and Parts	4 - 9

Views shown are for parts illustrations only, not servicing procedures.

This system uses R410A refrigerant. If sealed system work is required, use approved equipment and follow service procedures. Refer to Service Manual or Installation Instructions for service procedures.

Rev.A: Added DSZ18 models.

Text Codes:

AR - As Required

NA - Not Available

NS - Not Shown

00000000 - See Note

QTY - Quantity Example (QTY 3) (If Quantity not shown, Quantity = 1)

M - Model Example (M1) (If M Code not shown, then part is used on all Models)

Expanded Model Nomenclature:

Example M1 - Model#1 M2 - Model#2 M3 - Model#3

Goodman Manufacturing Company, L.P. is not responsible for personal injury or property damage resulting from improper service. Review all service information before beginning repairs.

Warranty service must be performed by an authorized technician, using authorized factory parts. If service is required after the warranty expires, Goodman Manufacturing Company, L.P. also recommends contacting an authorized technician and using authorized factory parts.

Goodman Manufacturing Company, L.P. reserves the right to discontinue, or change at any time, specifications or designs without notice or without incurring obligations.

For assistance within the U.S.A. contact:

Consumer Affairs Department
Goodman Manufacturing Company, L.P.
7401 Security Way
Houston, Texas 77040
877-254-4729-Telephone
713-863-2382-Facsimile

For assistance outside the U.S.A. contact:

International Division
Goodman Manufacturing Company, L.P.
7401 Security Way
Houston, Texas 77040
713-861-2500-Telephone
713-863-2382-Facsimile

Functional Parts

Part

No: **Description:**

CAP050350440RSS	CAPACITOR 5/35/440V [CONTROL BOX] (M1)
CAP050400370RSS	CAPACITOR 5/40/370V [CONTROL BOX] (M2, M5)
CAP050450370RSS	CAPACITOR 5/45/370V [CONTROL BOX] (M3, M6)
CAP050800440RTS	CAPACITOR 5/80/440V [CONTROL BOX] (M4, M7)
543003302S	COMFORT ALERT MODULE
20270812	COMPENSATOR (M3, M4, M5, M6, M7)
0151R00005	COMPENSATOR 16 OZ (M2)
0151R00006	COMPENSATOR 3.5 (M1)
ZPS20K4EPFV930	COMPRESSOR 20000, 208/230/60/1/2STG (M1)
ZPS30K4EPFV930	COMPRESSOR 30000, 208/230/60/1/2STG (M2, M5)
ZPS40K4EPFV930	COMPRESSOR 40000, 208/230/60/1/2STG (M3, M6)
ZPS51K4EPFV930	COMPRESSOR 52000, 208/230/60/1/2STG (M4, M7)
0131M00038S	COND MOTOR 1/6 HP, 2 SP, 8 PL (M1, M2, M3, M4)
0131M00086S	COND MOTOR-ECM (M5, M6, M7)
CONT2P025024VS	CONTACTOR 25 AMP, 2P, 24V (M1)
CONT2P030024VS	CONTACTOR 30 AMP, 2P, 24V (M2, M3, M5, M6)
CONT2P040024VS	CONTACTOR 40 AMP, 2P, 24V (M4, M7)
20322603	CUT-OUT SWITCH, HIGH PRESSURE
0130R00000S	CUT-OUT SWITCH, LOW PRESSURE
PCBDM101S	DEFROST CONTROL BOARD
B1370803	DEFROST THERMOSTAT
10135604	RELAY (M1, M2, M3, M4)
11046711	THERMOSTAT DISC

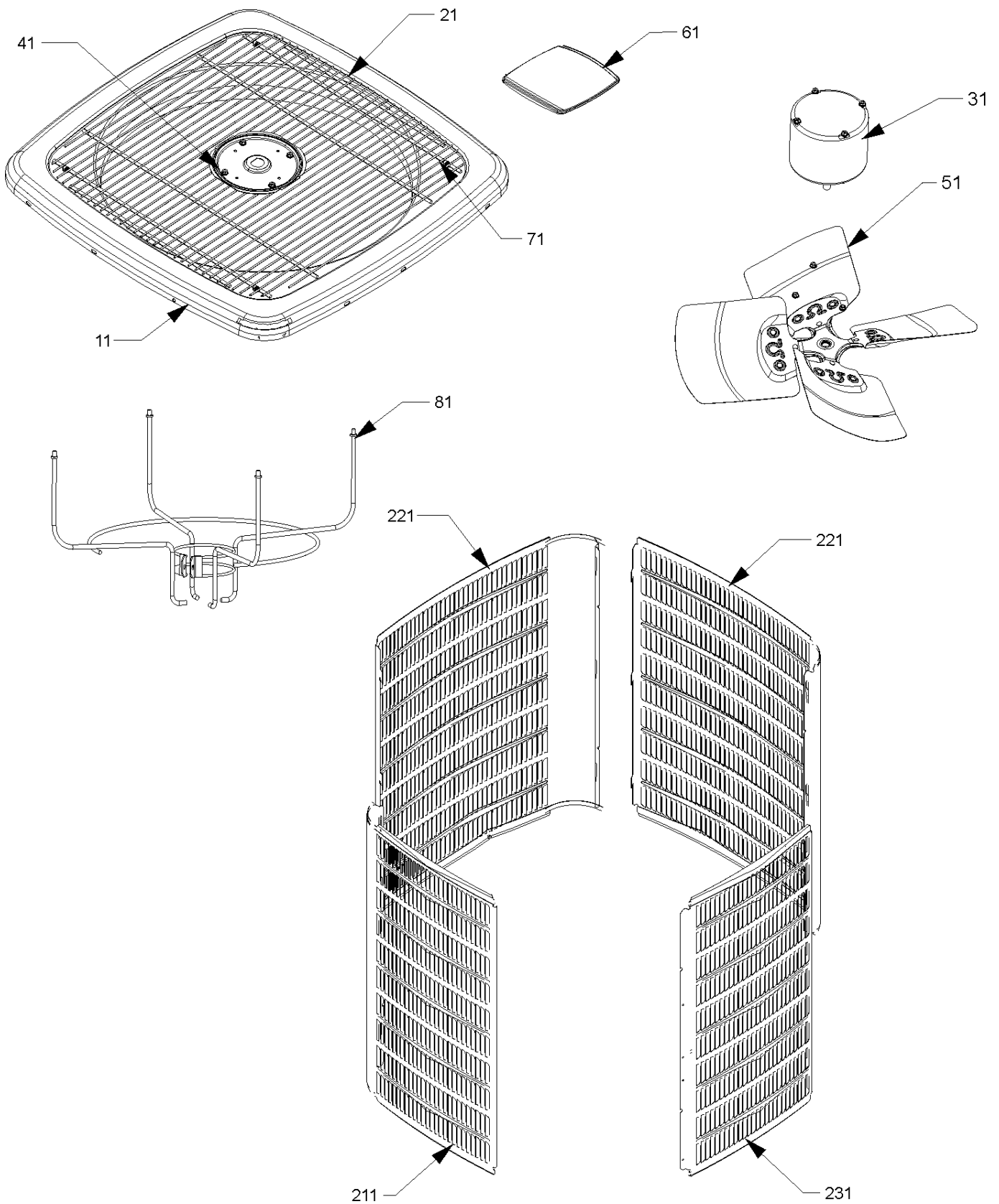
SPECIAL PARTS

IO-259G	INSTALLATION INTRUCTIONS
0161R00009P	NAMEPLATE
RP-573A	REPAIR PARTS MANUAL

Expanded Model Nomenclature

M1 - DSZ160241AA
M2 - DSZ160361AA
M3 - DSZ160481AA
M4 - DSZ160601AA
M5 - DSZ180361AA
M6 - DSZ180481AA
M7 - DSZ180601AA

Cabinet Top/Side Panels



Cabinet Top/Side Panels

Ref. Part No: No:	Description:	Ref. Part No: No:	Description:
-------------------	--------------	-------------------	--------------

Image 1:

11	0121R00011PDG	VENTURI TOP PANEL 29" (M1)
11	0121R00013PDG	VENTURI TOP PANEL 35" (M2, M3, M4, M5, M6, M7)
21	0152R00008	WIRE GRILL 29" (M1)
21	0152R00009	WIRE GRILL 35" (M2, M3, M4, M5, M6, M7)
31	0131M00038S	COND MOTOR 1/6 HP, 2 SP, 8 PL (M1, M2, M3, M4)
31	0131M00086S	COND MOTOR-ECM (M5, M6, M7)
41	M0280801	HEX NUT (M1, M2, M3, M4)
51	10625737S	FAN BLADE 22" ALUM CCW (M1)
51	0150M00010	FAN BLADE 26" ALUM CCW (M5, M6, M7)
51	10625738S	FAN BLADE 26" ALUM CCW (M2, M3, M4)
61	0161R00024	GRILL CAP
71	0163M00003P	SCREW #10 X 1/2, A, SLOT, SR, BLACK (QTY 4)
101	0121R00003	MOTOR MOUNT BRACKET (M5, M6, M7)
211	0121R00027PDGB	LOUVERED SIDE PANEL-VERTICAL (M1)
211	0121R00043PDGB	LOUVERED SIDE PANEL-VERTICAL (M2, M3, M4, M5, M6, M7)
221	0121R00033PDGB	LOUVERED SIDE PANEL-VERTICAL (M1)
221	0121R00047PDGB	LOUVERED SIDE PANEL-VERTICAL (M2, M3, M4, M5, M6, M7)
231	0121R00039PDG	LOUVERED SIDE PANEL-VERTICAL (M1)
231	0121R00051PDG	LOUVERED SIDE PANEL-VERTICAL (M2, M3, M4)
231	0270R00486DGS	LOUVERED SIDE PANEL-VERTICAL (M5, M6, M7)
NS	0161R00002P	CONDUIT (M1)
NS	0161R00004P	CONDUIT (M2, M3, M4)

Expanded Model Nomenclature

M1 - DSZ160241AA
M2 - DSZ160361AA
M3 - DSZ160481AA
M4 - DSZ160601AA
M5 - DSZ180361AA
M6 - DSZ180481AA
M7 - DSZ180601AA

Control & Access Panel/Cover/Cond Coil

Image 1

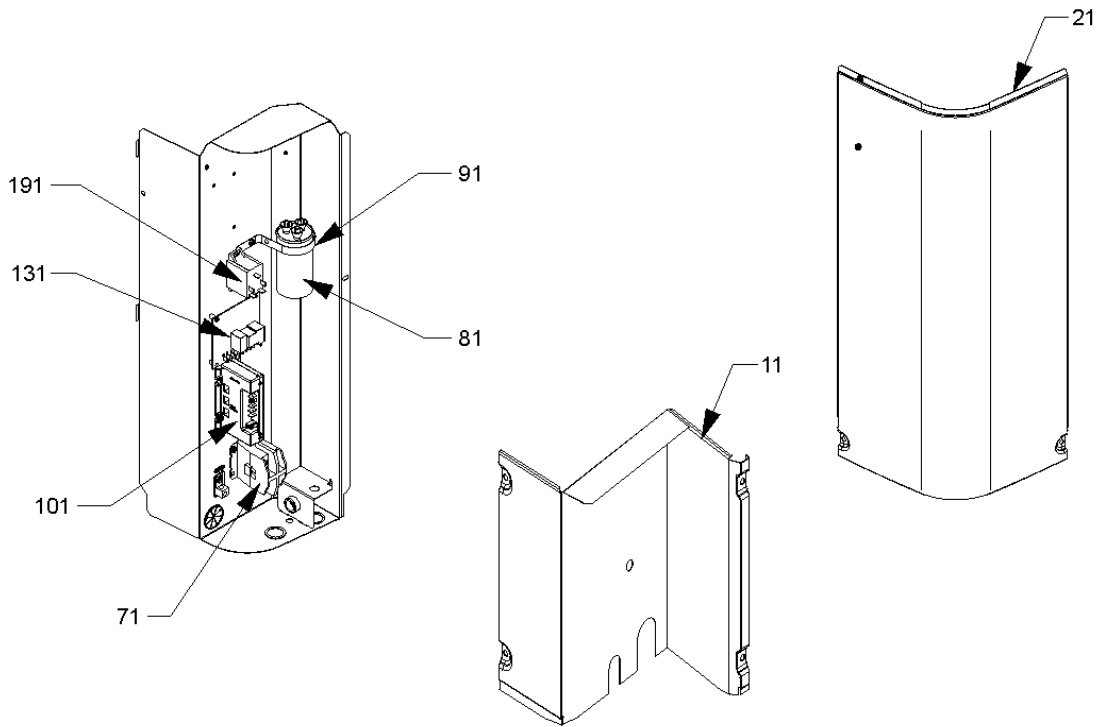
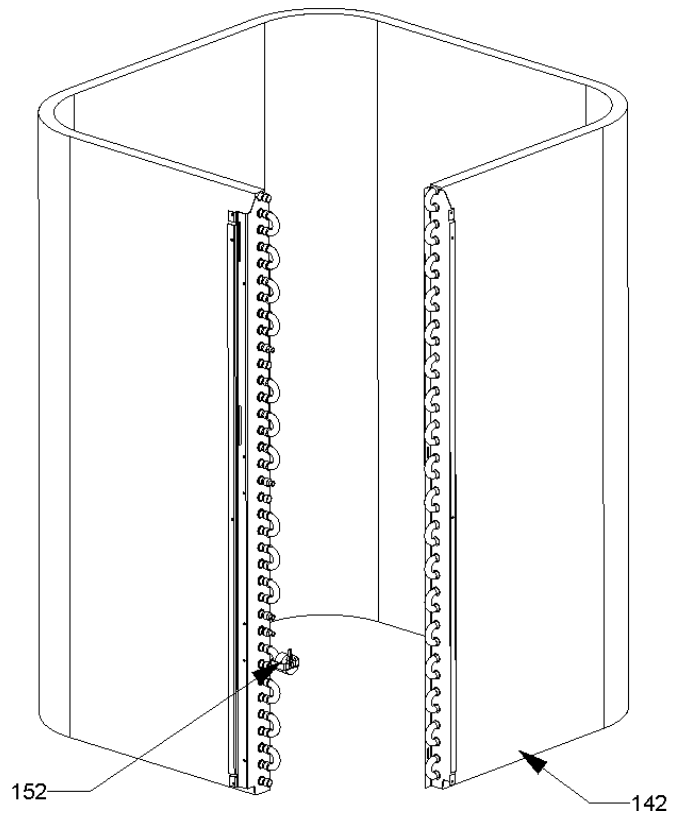


Image 2



Control & Access Panel/Cover/Cond Coil

Ref. Part No:	No:	Description:	Ref. Part No:	No:	Description:
---------------	-----	--------------	---------------	-----	--------------

Image 1: Control Cover/Access & Control Panel

11	4400209PDG	LOWER ACCESS PANEL
21	0121R00054PDG	CONTROL COVER
71	CONT2P025024VS	CONTACTOR 25 AMP, 2P, 24V (M1)
71	CONT2P030024VS	CONTACTOR 30 AMP, 2P, 24V (M2, M3, M5, M6)
71	CONT2P040024VS	CONTACTOR 40 AMP, 2P, 24V (M4, M7)
81	CAP050350440RSS	CAPACITOR 5/35/440V [CONTROL BOX] (M1)
81	CAP050400370RSS	CAPACITOR 5/40/370V [CONTROL BOX] (M2, M5)
81	CAP050450370RSS	CAPACITOR 5/45/370V [CONTROL BOX] (M3, M6)
81	CAP050800440RTS	CAPACITOR 5/80/440V [CONTROL BOX] (M4, M7)
91	4400065	CAPACITOR STRAP
101	543003302S	COMFORT ALERT MODULE
131	PCBDM101S	DEFROST CONTROL BOARD
191	10135604	RELAY (M1, M2, M3, M4)

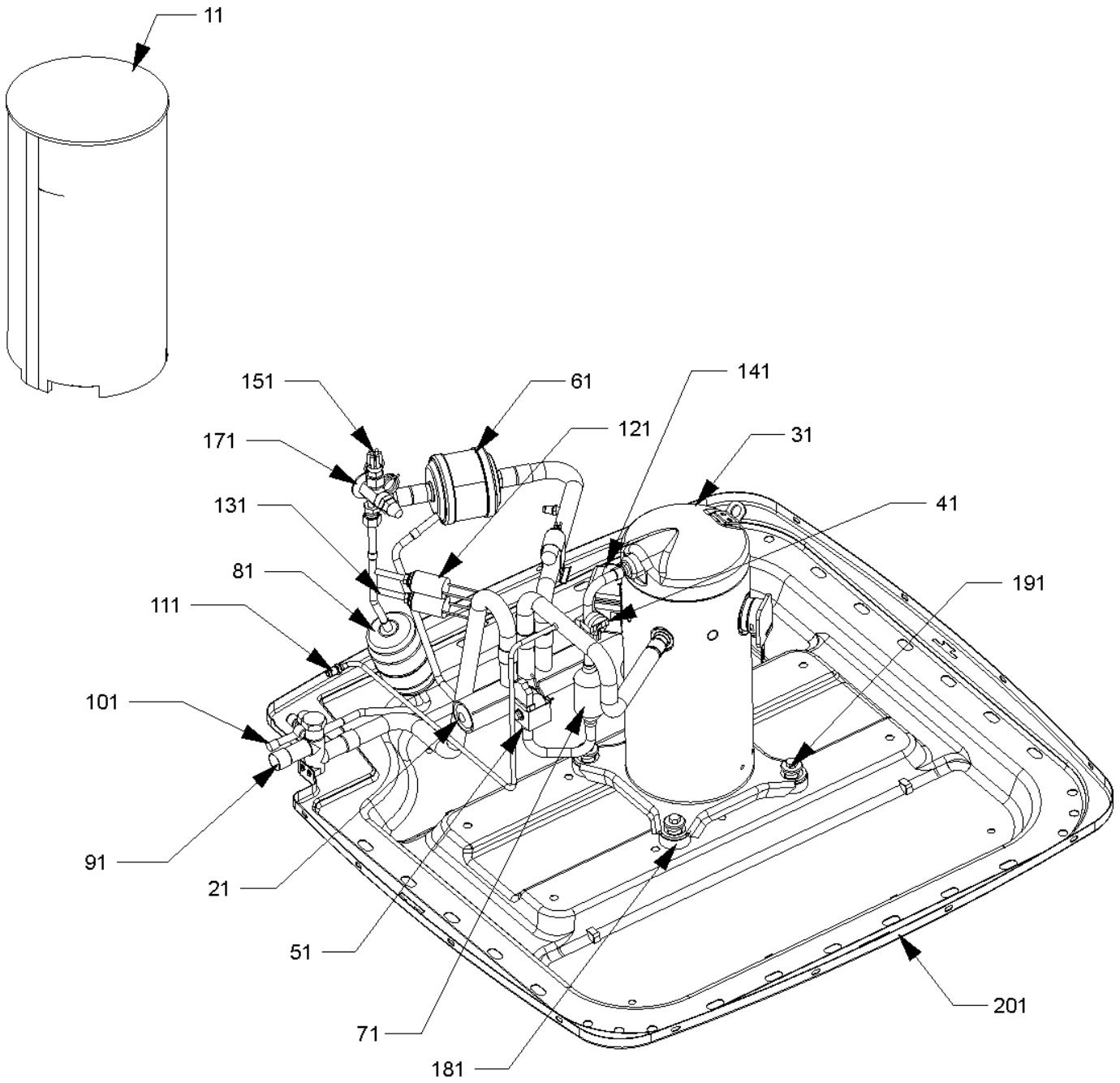
Image 2: Cond Coil

142	0201R00074S	TUBING ASSY, COND COIL (M1)
142	0201R00075S	TUBING ASSY, COND COIL (M2)
142	0201R00147S	TUBING ASSY, COND COIL (M3, M4, M6, M7)
142	0201R00148S	TUBING ASSY, COND COIL (M5)
152	B1370803	DEFROST THERMOSTAT

Expanded Model Nomenclature

M1 - DSZ160241AA
M2 - DSZ160361AA
M3 - DSZ160481AA
M4 - DSZ160601AA
M5 - DSZ180361AA
M6 - DSZ180481AA
M7 - DSZ180601AA

Basepan/Compressor/Tubing Assembly



Basepan/Compressor/Tubing Assembly

Ref. Part No: No:	Description:	Ref. Part No: No:	Description:
-------------------	--------------	-------------------	--------------

Image 1:

11	B1488806	COMPRESSOR SOUND BLANKET
21	B1227316S	REVERSING VALVE (M1)
21	B1227318S	REVERSING VALVE (M2, M3, M4, M5, M6, M7)
31	ZPS20K4EPFV930	COMPRESSOR 20000, 208/230/60/1/2STG (M1)
31	ZPS30K4EPFV930	COMPRESSOR 30000, 208/230/60/1/2STG (M2, M5)
31	ZPS40K4EPFV930	COMPRESSOR 40000, 208/230/60/1/2STG (M3, M6)
31	ZPS51K4EPFV930	COMPRESSOR 52000, 208/230/60/1/2STG (M4, M7)
41	11046711	THERMOSTAT DISC
51	B1225020	SOLENOID COIL CORD W/1/4" TERMINAL
61	20270812	COMPENSATOR (M3, M4, M5, M6, M7)
61	0151R00005	COMPENSATOR 16 OZ (M2)
61	0151R00006	COMPENSATOR 3.5 (M1)
71	0162R00007	MUFFLER 1/2 X 1/2 (M1, M2, M3, M4)
71	B1219301	MUFFLER 1/2 X 1/2 (M5, M6, M7)
81	20485201	BI-FLOW FILTER DRIER
91	0151R00002P	3/4" SERVICE VALVE OPEN LEFT (M1)
91	0151R00003P	7/8" SERVICE VALVE OPEN LEFT (M2, M3, M4, M5, M6, M7)
101	B12825171	3/8" SERVICE VALVE
111	B1787000	VALVE CORE
121	20322603	CUT-OUT SWITCH, HIGH PRESSURE
131	0130R00000S	CUT-OUT SWITCH, LOW PRESSURE
141	0130M00005P	WIRE HARNESS, COMPRESSOR SOLENOID
151	0162M00027S	FLOWRATOR .188 (M2, M3, M4, M5, M6, M7)
151	0162M00045	FLOWRATOR .188 (M1)
171	0151M00002	TXV VALVE (M2)
171	0151M00004	TXV VALVE (M1)
171	0151M00010S	TXV VALVE (M3, M4, M6, M7)
171	0151M00011S	TXV VALVE (M5)
181	0164M00018	COMPRESSOR GROMMET (M5, M6, M7)
181	B1339533	COMPRESSOR GROMMET (M1, M2, M3, M4)
191	M0221641	TF SHOULDER SCREW (QTY 4)
201	0121R00006PDG	BASE PAN 29" (M1)
201	0121R00007PDG	BASE PAN 35" (M2, M3, M4, M5, M6, M7)
NS	B1225022S	SOLENOID COIL

Expanded Model Nomenclature

M1 - DSZ160241AA
M2 - DSZ160361AA
M3 - DSZ160481AA
M4 - DSZ160601AA
M5 - DSZ180361AA
M6 - DSZ180481AA
M7 - DSZ180601AA

