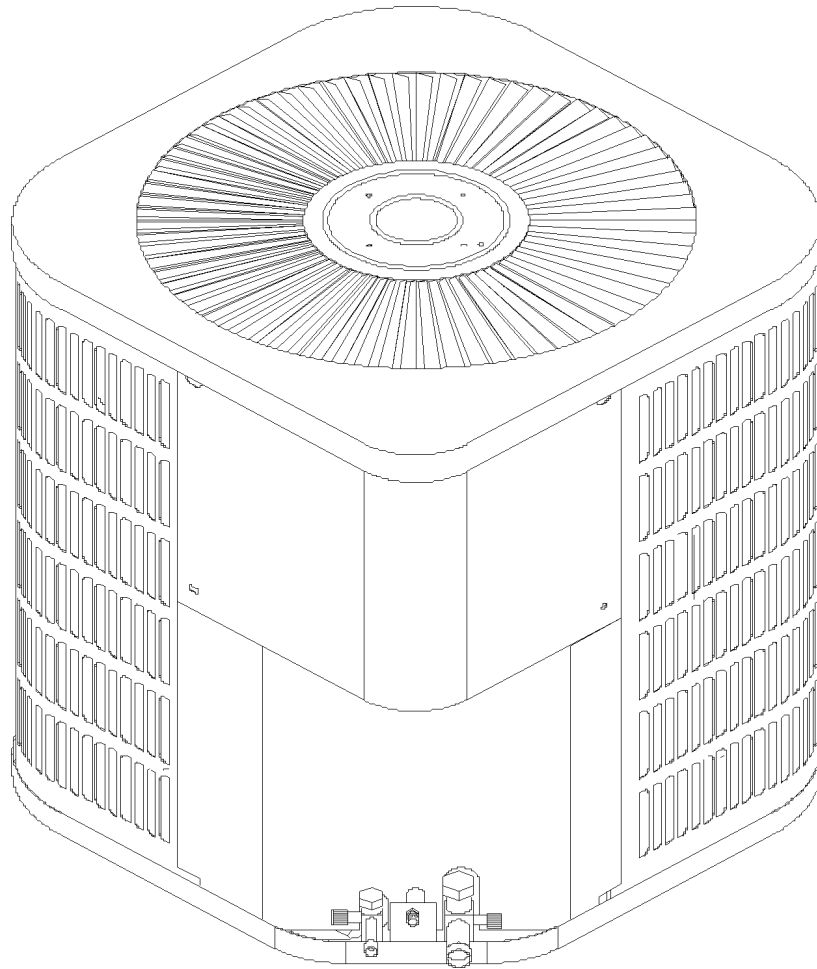


CKL 10 SEER (36-62) Remote Condensing Units

CKL36-1
CKL36-1D
CKL36-1E
CKL36-1F
CKL36-1G
CKL36-1H
CKL36-1K
CKL36-1L
CKL36-3
CKL36-3A
CKL36-3K
CKL36-3L
CKL42-1
CKL42-1A
CKL42-1B
CKL42-1L
CKL49-1
CKL49-1A
CKL49-1L
CKL49-3
CKL49-3A
CKL49-3L
CKL60-1
CKL60-1L
CKL60-3
CKL60-3L
CKL60-4
CKL60-4L
CKL62-1
CKL62-1L



This manual is to be used by qualified technicians only.

This manual replaces RP-466.

© 2007, 2009 Goodman Manufacturing Company, L.P. ♦ 5151 San Felipe, Suite 500 ♦ Houston, TX 77056

Important Information

Index

Functional Parts List	3
Illustration and Parts	4 - 9

Views shown are for parts illustrations only, not servicing procedures.

Rev. A: Updated B1086770S description and added model CKL49-1A.

Text Codes:

AR - As Required

NA - Not Available

NS - Not Shown

00000000 - See Note

QTY - Quantity Example (QTY 3) (If Quantity not shown, Quantity = 1)

M - Model Example (M1) (If M Code not shown, then part is used on all Models)

Expanded Model Nomenclature:

Example M1 - Model#1 M2 - Model#2 M3 - Model#3

Goodman Manufacturing Company, L.P. is not responsible for personal injury or property damage resulting from improper service. Review all service information before beginning repairs.

Warranty service must be performed by an authorized technician, using authorized factory parts. If service is required after the warranty expires, Goodman Manufacturing Company, L.P. also recommends contacting an authorized technician and using authorized factory parts.

Goodman Manufacturing Company, L.P. reserves the right to discontinue, or change at any time, specifications or designs without notice or without incurring obligations.

For assistance within the U.S.A. contact:
Consumer Affairs Department
Goodman Manufacturing Company, L.P.
7401 Security Way
Houston, Texas 77040
877-254-4729-Telephone
713-863-2382-Facsimile

For assistance outside the U.S.A. contact:
International Division
Goodman Manufacturing Company, L.P.
7401 Security Way
Houston, Texas 77040
713-861-2500-Telephone
713-863-2382-Facsimile

Functional Parts

Part

No: **Description:**

CAP050000370VAS	CAPACITOR 5/370V [CONTROL BOX] (M9, M10, M11, M12, M20, M21, M22, M25, M26, M27, M28)
CAP050400370RSS	CAPACITOR 5/40/370V [CONTROL BOX] (M6)
CAP050400440RTS	CAPACITOR 5/40/440V [CONTROL BOX] (M14, M15, M16, M17, M18, M19)
CAP050450370RSS	CAPACITOR 5/45/370V [CONTROL BOX] (M1, M2, M4)
CAP050500440RTS	CAPACITOR 5/50/440V [CONTROL BOX] (M3, M5, M7, M8, M13)
CAP050600440RTS	CAPACITOR 5/60/440V [CONTROL BOX] (M23, M24)
CAP050700370RTS	CAPACITOR 5/70/370V [CONTROL BOX] (M29, M30)
CR35K6TF5960	COMPRESSOR 34900, 208/230/60/3 (M9, M10, M11, M12)
CR35K6PFV960	COMPRESSOR 35000, 208/230/60/1 (M1, M2, M3, M4, M5, M6, M7, M8)
CR38K6PFV960	COMPRESSOR 38200, 208/230/60/1 (M13, M15, M16)
CR42K6TF5960	COMPRESSOR 41700, 200/230/60/3 (M21, M22)
CR42K6PFV960	COMPRESSOR 41900, 380/420/60/1 (M14, M17, M18, M19)
ZR57KCTF5930	COMPRESSOR 57500, 200/230/60/3 (M25, M26)
ZR57K3PFV950	COMPRESSOR 57500, 208/230/60/1 (M24)
ZR57KCTFD930	COMPRESSOR 57500, 380/460/60/3 (M27, M28)
ZR57K3PFV930	COMPRESSOR 58000, 208/230/60/1 (M23)
ZR61K3PFV950	COMPRESSOR 62000, 208/230/60/1 (M29, M30)
B9266204AS	COMPRESSOR H23A423DBLA (M20)
0131M00008PS	COND MOTOR 1/3 HP, 1 SP, 6 PL (M29, M30)
0131M00007PS	COND MOTOR 1/4 HP, 1 SP, 6 PL (M17, M18, M19, M20, M21, M22, M23, M24, M25, M26)
B13400252S	COND MOTOR 1/6 HP, 1 SP, 8 PL (M13, M14, M15, M16)
B13400251S	COND MOTOR 1/6 HP, 1 SP, 8 PL (M1, M2, M3, M4, M5, M6, M7, M8, M9, M10, M11, M12)
B13400269S	COND MOTOR 380/460 50/60 CYCLE (M27, M28)
CONT2P025024VS	CONTACTOR 25 AMP, 2P, 24V (M1, M2, M3, M4, M5, M6, M7, M8, M13, M14, M15, M16)
CONT3P025024VS	CONTACTOR 25 AMP, 3P, 24V (M9, M10, M11, M12, M20, M21, M22, M25, M26, M27, M28)
CONT2P030024VS	CONTACTOR 30 AMP, 2P, 24V (M17, M18, M19)
CONT2P040024VS	CONTACTOR 40 AMP, 2P, 24V (M23, M24, M29, M30)
B1141657	START ASSIST (305C11L06, 12.5) - OBSOLETE (M3)

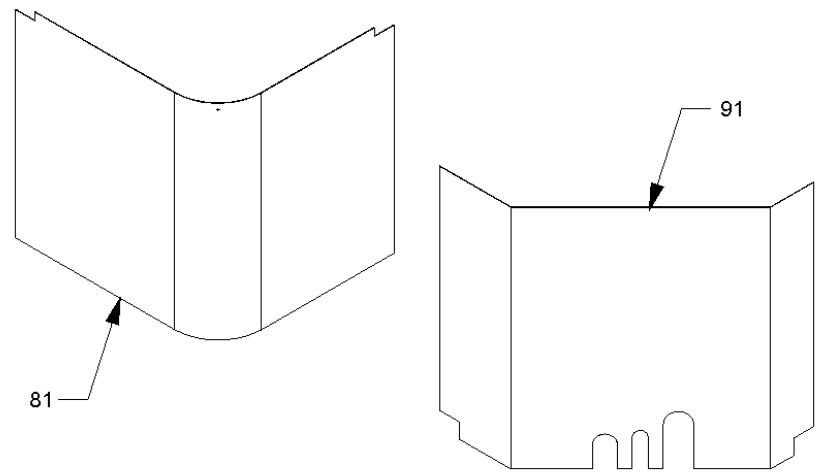
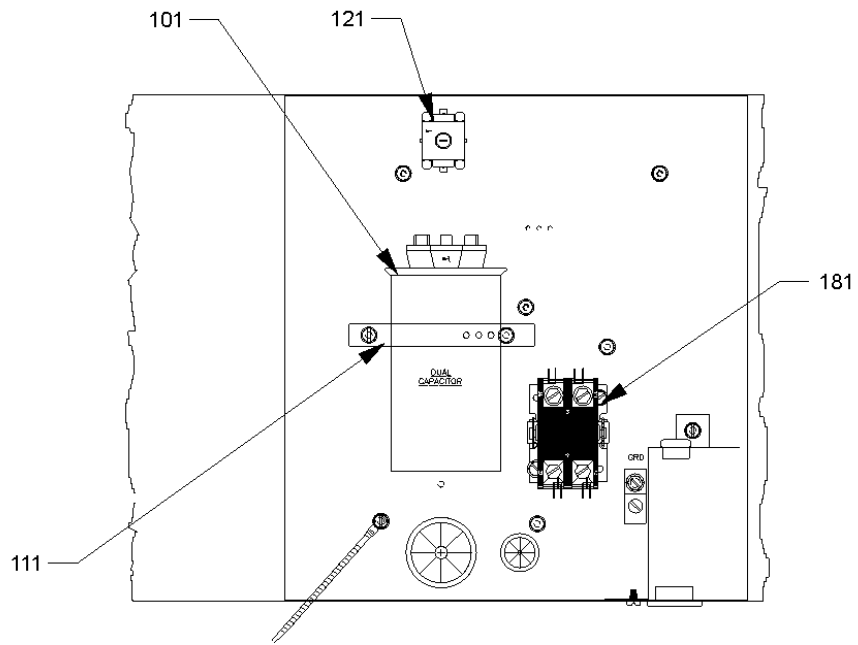
SPECIAL PARTS

IO-101J	INSTALLATION INSTRUCTIONS
B4400000	NAME PLATE (M6, M7, M8, M10, M11, M12, M14, M15, M16, M17, M18, M19, M20, M21, M22, M23, M24, M25, M26, M27, M28, M29, M30)
RP-466A	REPAIR PARTS MANUAL

Expanded Model Nomenclature

M1 - CKL36-1
M2 - CKL36-1D
M3 - CKL36-1E
M4 - CKL36-1F
M5 - CKL36-1G
M6 - CKL36-1H
M7 - CKL36-1K
M8 - CKL36-1L
M9 - CKL36-3
M10 - CKL36-3A
M11 - CKL36-3K
M12 - CKL36-3L
M13 - CKL42-1
M14 - CKL42-1A
M15 - CKL42-1B
M16 - CKL42-1L
M17 - CKL49-1
M18 - CKL49-1A
M19 - CKL49-1L
M20 - CKL49-3
M21 - CKL49-3A
M22 - CKL49-3L
M23 - CKL60-1
M24 - CKL60-1L
M25 - CKL60-3
M26 - CKL60-3L
M27 - CKL60-4
M28 - CKL60-4L
M29 - CKL62-1
M30 - CKL62-1L

Control Cover/Control Box



Control Cover/Control Box

**Ref. Part
No: No:**

Description:

**Ref. Part
No: No:**

Description:

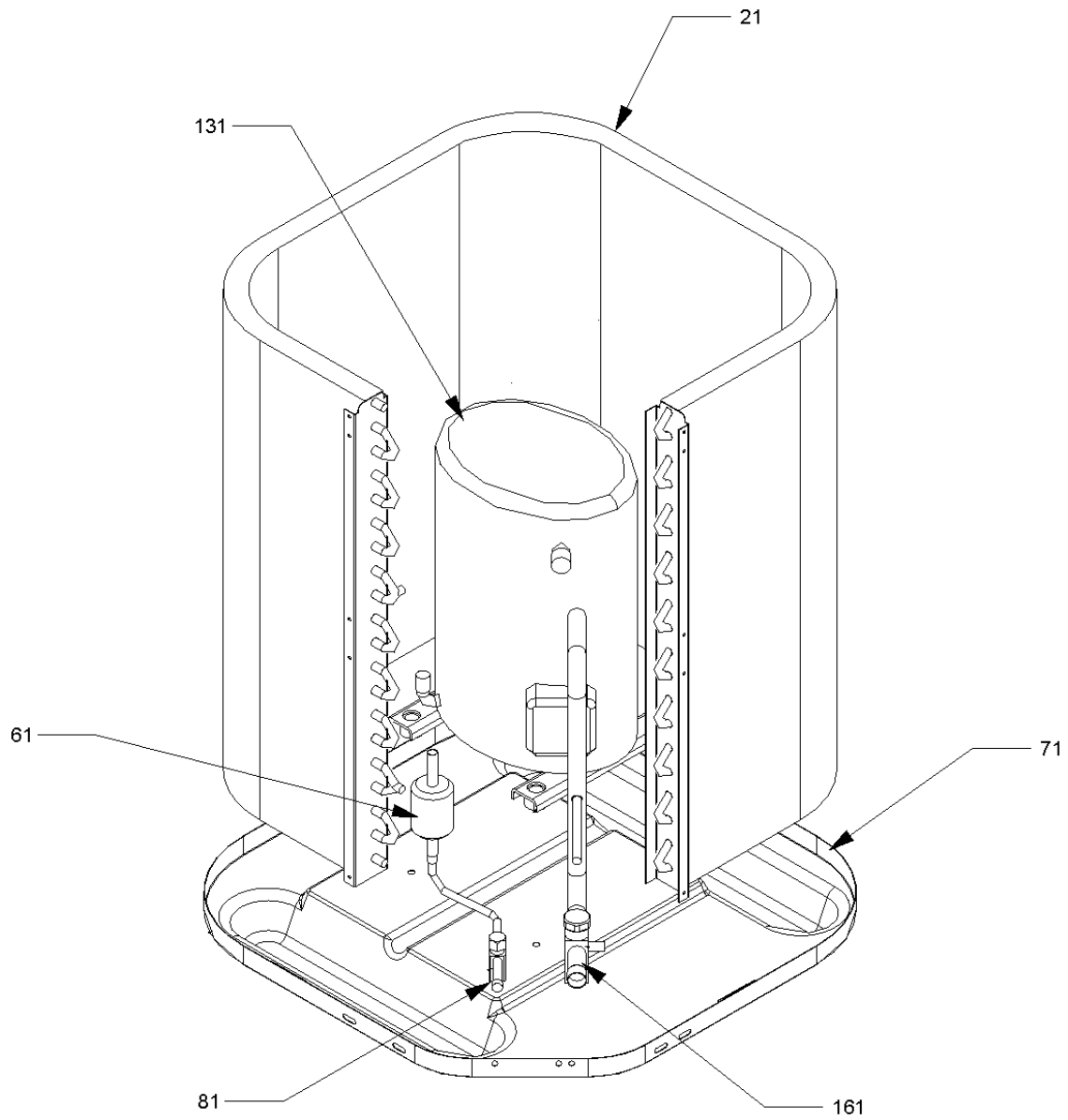
Image 1:

81	1787624PDG	CONTROL BOX COVER
91	1787707P	ACCESS PANEL 25" (M2, M3, M4, M5, M6, M9, M10)
91	1787708PDG	ACCESS PANEL 27.5" (M1, M7, M8, M11, M12, M17, M18, M19, M20, M21, M22)
91	1787709PDG	ACCESS PANEL 30" (M13, M14, M15, M16, M23, M24, M25, M26, M27, M28)
91	1787717PDG	ACCESS PANEL 37.5" (M29, M30)
101	CAP050000370VAS	CAPACITOR 5/370V [CONTROL BOX] (M9, M10, M11, M12, M20, M21, M22, M25, M26, M27, M28)
101	CAP050400370RSS	CAPACITOR 5/40/370V [CONTROL BOX] (M6)
101	CAP050400440RTS	CAPACITOR 5/40/440V [CONTROL BOX] (M14, M15, M16, M17, M18, M19)
101	CAP050450370RSS	CAPACITOR 5/45/370V [CONTROL BOX] (M1, M2, M4)
101	CAP050500440RTS	CAPACITOR 5/50/440V [CONTROL BOX] (M3, M5, M7, M8, M13)
101	CAP050600440RTS	CAPACITOR 5/60/440V [CONTROL BOX] (M23, M24)
101	CAP050700370RTS	CAPACITOR 5/70/370V [CONTROL BOX] (M29, M30)
111	1284835	CAPACITOR STRAP
121	B1141657	START ASSIST (305C11L06, 12.5) - OBSOLETE (M3)
181	CONT2P025024VS	CONTACTOR 25 AMP, 2P, 24V (M1, M2, M3, M4, M5, M6, M7, M8, M13, M14, M15, M16)
181	CONT3P025024VS	CONTACTOR 25 AMP, 3P, 24V (M9, M10, M11, M12, M20, M21, M22, M25, M26, M27, M28)
181	CONT2P030024VS	CONTACTOR 30 AMP, 2P, 24V (M17, M18, M19)
181	CONT2P040024VS	CONTACTOR 40 AMP, 2P, 24V (M23, M24, M29, M30)

Expanded Model Nomenclature

M1 - CKL36-1
M2 - CKL36-1D
M3 - CKL36-1E
M4 - CKL36-1F
M5 - CKL36-1G
M6 - CKL36-1H
M7 - CKL36-1K
M8 - CKL36-1L
M9 - CKL36-3
M10 - CKL36-3A
M11 - CKL36-3K
M12 - CKL36-3L
M13 - CKL42-1
M14 - CKL42-1A
M15 - CKL42-1B
M16 - CKL42-1L
M17 - CKL49-1
M18 - CKL49-1A
M19 - CKL49-1L
M20 - CKL49-3
M21 - CKL49-3A
M22 - CKL49-3L
M23 - CKL60-1
M24 - CKL60-1L
M25 - CKL60-3
M26 - CKL60-3L
M27 - CKL60-4
M28 - CKL60-4L
M29 - CKL62-1
M30 - CKL62-1L

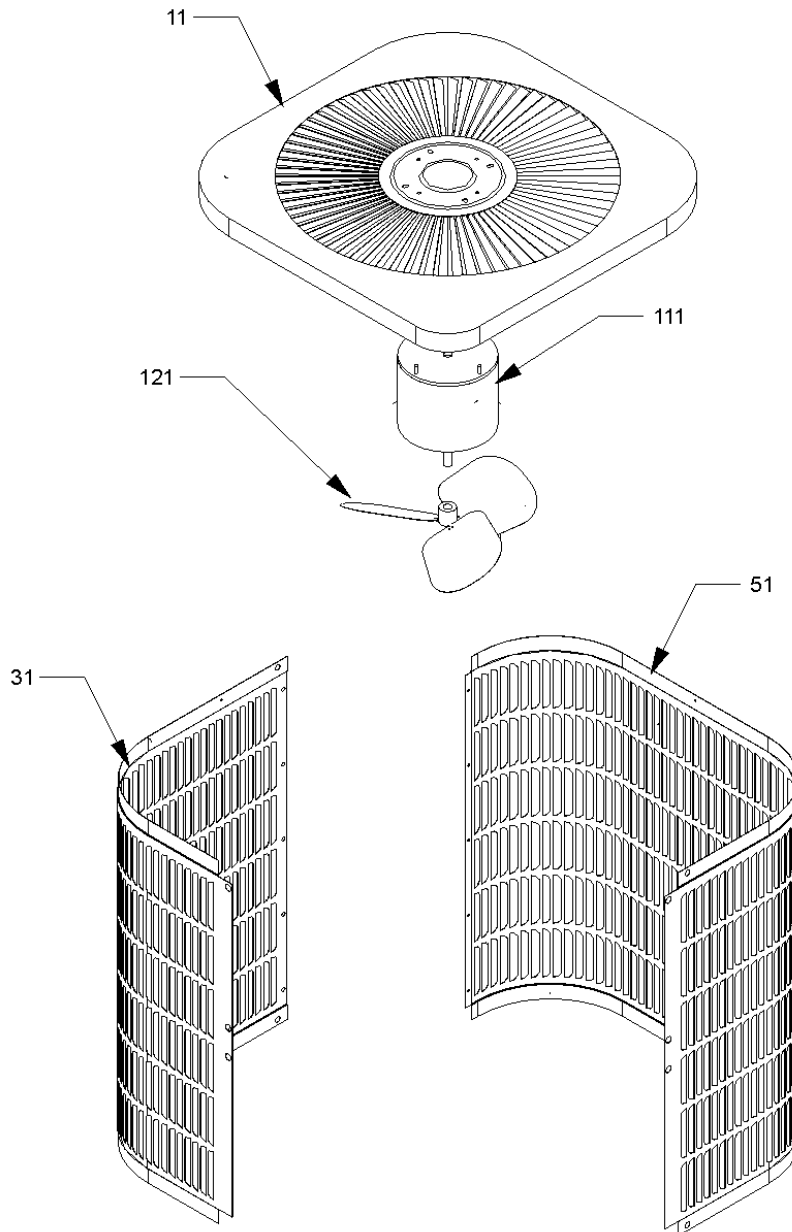
Compressor/Tubing Assy



Compressor/Tubing Assy

Ref. Part No:	No:	Description:	Ref. Part No:	No:	Description:
<i>Image 1:</i>			<i>Image 1:</i>		
21	1262103	TUBING ASSY, COND COIL (M4, M5, M6, M9, M10)	NS	B1789882	FLOW CHECK PISTON KIT .082 (M18, M19, M21, M22)
21	1262110	TUBING ASSY, COND COIL (M23, M24, M25, M26, M27, M28)	NS	B1789893	FLOW CHECK PISTON KIT .093 (M29, M30)
21	1262119	TUBING ASSY, COND COIL (M7, M8, M11, M12)	NS	M0221641	TF SHOULDER SCREW (M17, M18, M19, M20, M21, M22, M23, M24, M25, M26, M27, M28, M29, M30)
21	126502NP	TUBING ASSY, COND COIL (M1)			
21	126506NP	TUBING ASSY, COND COIL (M2, M3)	Expanded Model Nomenclature		
21	1265530S	TUBING ASSY, COND COIL (M13, M14, M15, M16)	<div style="border: 1px solid black; padding: 5px;"> M1 - CKL36-1 M2 - CKL36-1D M3 - CKL36-1E M4 - CKL36-1F M5 - CKL36-1G M6 - CKL36-1H M7 - CKL36-1K M8 - CKL36-1L M9 - CKL36-3 M10 - CKL36-3A M11 - CKL36-3K M12 - CKL36-3L M13 - CKL42-1 M14 - CKL42-1A M15 - CKL42-1B M16 - CKL42-1L M17 - CKL49-1 M18 - CKL49-1A M19 - CKL49-1L M20 - CKL49-3 M21 - CKL49-3A M22 - CKL49-3L M23 - CKL60-1 M24 - CKL60-1L M25 - CKL60-3 M26 - CKL60-3L M27 - CKL60-4 M28 - CKL60-4L M29 - CKL62-1 M30 - CKL62-1L </div>		
21	1265627S	TUBING ASSY, COND COIL (M17, M18, M19, M20, M21, M22)			
21	1262118	TUBING ASSY, DUAL COND COIL (M29, M30)			
61	B1219212	SINGLE-FLOW FILTER DRIER, STEEL (M1, M2, M3, M4, M5, M6, M7, M8, M9, M10, M11, M12, M13, M14, M15, M16)			
61	B1219225	SINGLE-FLOW FILTER DRIER, STEEL (M17, M18, M20, M21, M23, M24, M25, M26, M27, M28, M29, M30)			
71	1787209P	BASE PAN (M1, M2, M3)			
71	1787211PDG	BASE PAN (M4, M5, M6, M7, M8, M9, M10, M11, M12, M13, M14, M15, M16)			
71	1787212PDG	BASE PAN (M17, M18, M19, M20, M21, M22, M23, M24, M25, M26, M27, M28, M29, M30)			
81	20163801S	3/8" SERVICE VALVE (M1)			
81	B12825171	3/8" SERVICE VALVE (M2, M3, M4, M5, M6, M7, M8, M9, M10, M11, M12, M13, M14, M15, M16, M17, M18, M19, M20, M21, M22, M23, M24, M25, M26, M27, M28, M29, M30)			
131	CR35K6TF5960	COMPRESSOR 34900, 208/230/60/3 (M9, M10, M11, M12)			
131	CR35K6PFV960	COMPRESSOR 35000, 208/230/60/1 (M1, M2, M3, M4, M5, M6, M7, M8)			
131	CR38K6PFV960	COMPRESSOR 38200, 208/230/60/1 (M13, M15, M16)			
131	CR42K6TF5960	COMPRESSOR 41700, 200/230/60/3 (M21, M22)			
131	CR42K6PFV960	COMPRESSOR 41900, 380/420/60/1 (M14, M17, M18, M19)			
131	ZR57KCTF5930	COMPRESSOR 57500, 200/230/60/3 (M25, M26)			
131	ZR57K3PFV950	COMPRESSOR 57500, 208/230/60/1 (M24)			
131	ZR57KCTFD930	COMPRESSOR 57500, 380/460/60/3 (M27, M28)			
131	ZR57K3PFV930	COMPRESSOR 58000, 208/230/60/1 (M23)			
131	ZR61K3PFV950	COMPRESSOR 62000, 208/230/60/1 (M29, M30)			
131	B9266204AS	COMPRESSOR H23A423DBLA (M20)			
161	B1282566	3/4" SERVICE VALVE (M1, M2, M3, M4, M5, M6, M7, M8, M9, M10, M11, M12)			
161	B12825167	7/8" SERVICE VALVE (M13, M14, M15, M16, M17, M18, M19, M20, M21, M22, M23, M24, M25, M26, M27, M28, M29, M30)			
NS	B1393701	COMPRESSOR BOLT & SLEEVE ASSY (M1, M2, M3, M4, M5, M6, M7, M8, M9, M10, M11, M12, M13, M14, M15, M16)			
NS	B1339530	COMPRESSOR GROMMET (M1, M2, M3, M4, M5, M6, M7, M8, M9, M10, M11, M12, M13, M14, M15, M16, M17, M18, M19, M20, M21, M22)			
NS	B1339533	COMPRESSOR GROMMET (M23, M24, M25, M26, M27, M28, M29, M30)			

Cabinet Top/Side panels



Cabinet Top/Side panels

Ref. Part No:	No:	Description:	Ref. Part No:	No:	Description:
<i>Image 1:</i>			Expanded Model Nomenclature		
11	1779405PDG	TOP PANEL (M1, M2, M3, M4, M5, M6, M7, M8, M9, M10, M11, M12, M13, M14, M15, M16)	M1 - CKL36-1		
11	1779415PDG	TOP PANEL (M17, M18, M19, M20, M21, M22, M23, M24, M25, M26, M27, M28, M29, M30)	M2 - CKL36-1D		
31	1259551PDG	LOUVERED PANEL, HAIRPIN SIDE (M4, M5, M6, M9, M10)	M3 - CKL36-1E		
31	1259552PDG	LOUVERED PANEL, HAIRPIN SIDE (M7, M8, M11, M12)	M4 - CKL36-1F		
31	1259561PDG	LOUVERED PANEL, HAIRPIN SIDE (M23, M24, M25, M26, M27, M28)	M5 - CKL36-1G		
31	1259562PDG	LOUVERED PANEL, HAIRPIN SIDE (M29, M30)	M6 - CKL36-1H		
31	1259568PDG	LOUVERED PANEL, HAIRPIN SIDE (M17, M18, M19, M20, M21, M22)	M7 - CKL36-1K		
31	1259553PDG	LOUVERED PANEL, HAIRPIN SIDE - OBSOLETE (M13, M14, M15, M16)	M8 - CKL36-1L		
51	1259556PDG	LOUVERED PANEL, RETURN SIDE (M4, M5, M6, M9, M10)	M9 - CKL36-3		
51	1259557PDG	LOUVERED PANEL, RETURN SIDE (M7, M8, M11, M12)	M10 - CKL36-3A		
51	1259558PDG	LOUVERED PANEL, RETURN SIDE (M13, M14, M15, M16)	M11 - CKL36-3K		
51	1259565PDG	LOUVERED PANEL, RETURN SIDE (M23, M24, M25, M26, M27, M28)	M12 - CKL36-3L		
51	1259566PDG	LOUVERED PANEL, RETURN SIDE (M29, M30)	M13 - CKL42-1		
51	1259571PDG	LOUVERED PANEL, RETURN SIDE (M17, M18, M19, M20, M21, M22)	M14 - CKL42-1A		
111	0131M00008PS	COND MOTOR 1/3 HP, 1 SP, 6 PL (M29, M30)	M15 - CKL42-1B		
111	0131M00007PS	COND MOTOR 1/4 HP, 1 SP, 6 PL (M17, M18, M19, M20, M21, M22, M23, M24, M25, M26)	M16 - CKL42-1L		
111	B13400251S	COND MOTOR 1/6 HP, 1 SP, 8 PL (M1, M2, M3, M4, M5, M6, M7, M8, M9, M10, M11, M12)	M17 - CKL49-1		
111	B13400252S	COND MOTOR 1/6 HP, 1 SP, 8 PL (M13, M14, M15, M16)	M18 - CKL49-1A		
111	B13400269S	COND MOTOR 380/460 50/60 CYCLE (M27, M28)	M19 - CKL49-1L		
121	B1086775S	FAN BLADE (M19, M22)	M20 - CKL49-3		
121	B1086771S	FAN BLADE 18", X-SERIES (M1, M2, M3, M4, M5, M6, M7, M8, M9, M10, M11, M12, M13, M14, M15, M16)	M21 - CKL49-3A		
121	B1086770S	FAN BLADE 22", 3 BLADE, 19° (M17, M18, M20, M21)	M22 - CKL49-3L		
121	B1086750S	FAN BLADE 22", 3 BLADE, 24° (M23, M24, M25, M26, M27, M28)	M23 - CKL60-1		
121	B1086748S	FAN BLADE 22", 3 BLADE, 30° (M29, M30)	M24 - CKL60-1L		
NS	B1783803	ACORN NUT 5/16 HEX YELLOW ZINC (QTY 4)	M25 - CKL60-3		
NS	1259525P	LOUVERED PANEL, SINGLE PIECE (M2, M3)	M26 - CKL60-3L		
NS	1259527P	LOUVERED PANEL, SINGLE PIECE (M1)	M27 - CKL60-4		
NS	17788000062	PVC CONDUIT 11.0" LRG (M17, M18, M19, M20, M21, M22, M23, M24, M25, M26, M27, M28, M29, M30)	M28 - CKL60-4L		
NS	17788000061	PVC CONDUIT 7.5" SML (M1, M2, M3, M4, M5, M6, M7, M8, M9, M10, M11, M12, M13, M14, M15, M16)	M29 - CKL62-1		
			M30 - CKL62-1L		

