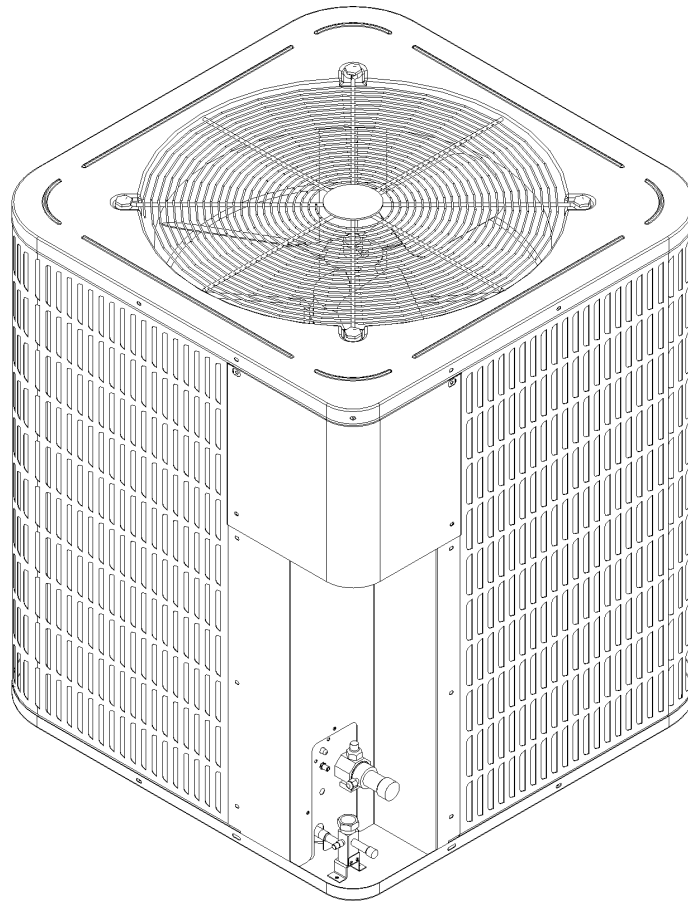




REPAIR PARTS

CKL 90+ Condensing Units

CKL090-3
CKL090-3L
CKL090-4
CKL090-4L
CKL120-3
CKL120-3L
CKL120-4
CKL120-4L



Goodman Manufacturing Company, L.P.
5151 San Felipe, Suite 500
Houston, TX 77056

www.goodmanmfg.com

RP-329A
June 2007

Important Information

Index

Functional Parts List	3
Illustration and Parts	4 - 9

Views shown are for parts illustrations only, not servicing procedures

Rev. A: Added CKL090-3, CKL090-4, CKL120-3, CKL120-4

Text Codes:

AR - As Required

NA - Not Available

NS - Not Shown

00000000 - See Note

QTY - Quantity Example (QTY 3) (If Quantity not shown, Quantity = 1)

M - Model Example (M1) (If M Code not shown, then part is used on all Models)

Expanded Model Nomenclature:

Example M1 - Model#1 M2 - Model#2 M3 - Model#3

Goodman Manufacturing Company, L.P. is not responsible for personal injury or property damage resulting from improper service. Review all service information before beginning repairs.

Warranty service must be performed by an authorized technician, using authorized factory parts. If service is required after the warranty expires, Goodman Manufacturing Company, L.P. also recommends contacting an authorized technician and using authorized factory parts.

Goodman Manufacturing Company, L.P. reserves the right to discontinue, or change at any time, specifications or designs without notice or without incurring obligations.

For assistance within the U.S.A. contact:
Consumer Affairs Department
Goodman Manufacturing Company, L.P.
7401 Security Way
Houston, Texas 77040
877-254-4729-Telephone
713-863-2382-Facsimile

For assistance outside the U.S.A. contact:
International Division
Goodman Manufacturing Company, L.P.
7401 Security Way
Houston, Texas 77040
713-861-2500-Telephone
713-863-2382-Facsimile

Functional Parts

Part

No: Description:

1262117	ASSY, CRATED COND SERVICE COIL (M1, M2, M3, M4)
1262116	ASSY, CRATED COND SERVICE COIL (M5, M6, M7, M8)
ZR108KCTFD950	COMPRESSOR 10900 460/60/3 (M7, M8)
ZR108KCTF5950	COMPRESSOR 10900, 200/230/60/3 (M5, M6)
ZR84KCTF5950	COMPRESSOR 85500 200/230/60/3 (M1, M2)
ZR84KCTFD950	COMPRESSOR 85500 460/60/3 (M3, M4)
B1243749	CRANKCASE HEATER 240V, 75 WATTS (M1, M2, M5, M6)
B1243732	CRANKCASE HEATER 460V, 75 WATTS (M3, M4, M7, M8)
B1219226	FILTER DRIER (M1)
B1219228	FILTER DRIER (M2, M3, M4, M5, M6, M7, M8)
B1360721	HIGH PRESSURE SWITCH
B1360719	LOW PRESSURE SWITCH
B13400354S	MOTOR (M1, M2, M5, M6)
B13400355S	MOTOR 1 HP (M3, M4, M7, M8)
B1372801	SIGHT GLASS
B1787000	VALVE CORE

SPECIAL PARTS

IO-226A	INSTALLATION INSTRUCTIONS
B4400000	NAME PLATE (M2, M3, M4, M5, M6, M7, M8)
RP-329A	REPAIR PARTS MANUAL

Expanded Model Nomenclature

M1 - CKL090-3
M2 - CKL090-3L
M3 - CKL090-4
M4 - CKL090-4L
M5 - CKL120-3
M6 - CKL120-3L
M7 - CKL120-4
M8 - CKL120-4L

Control Cover / Control Box

Image 1

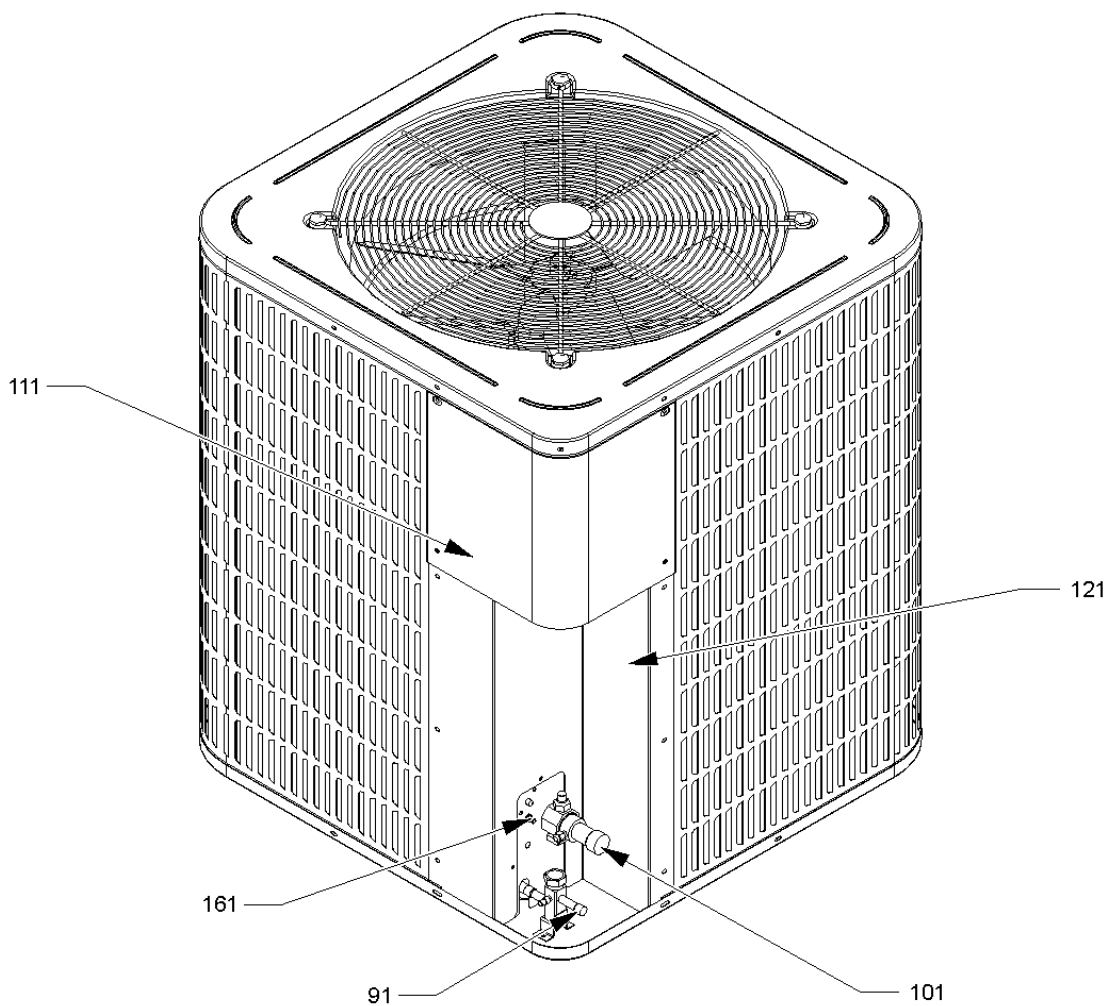
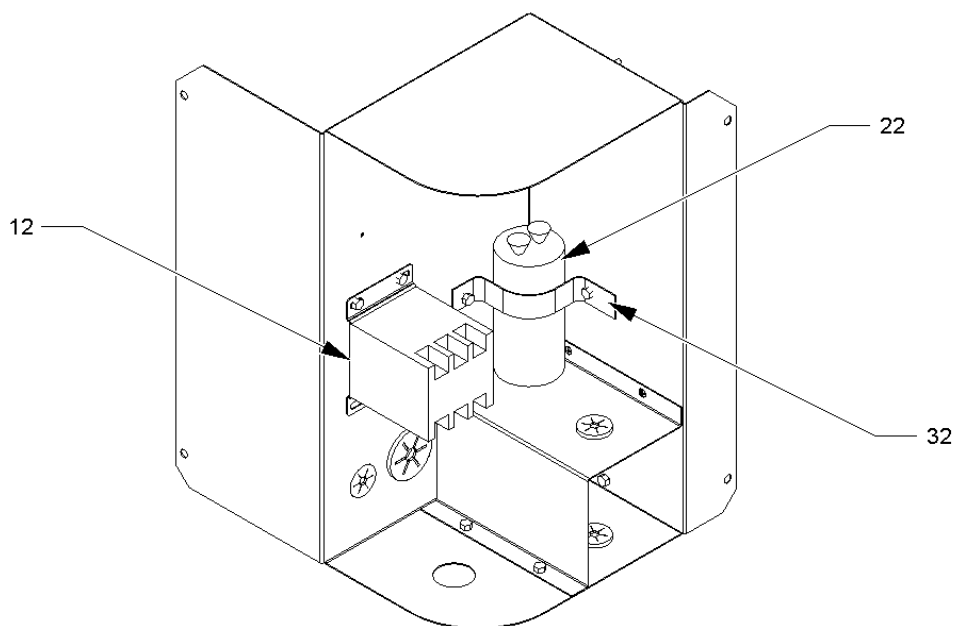


Image 2



Control Cover / Control Box

Ref Part No:	Description:	Ref. Part No:	Description:
--------------	--------------	---------------	--------------

Image 1:

91	B1282573	VALVE, SERVICE 5/8"
101	B1282574	VALVE, SERVICE 1 1/8"
111	4223701PDG	CONTROL BOX COVER
121	4223700PDG	LOWER ACCESS PANEL 35"
161	B1787000	VALVE CORE
NS	B4400000	NAME PLATE (M2, M3, M4, M5, M6, M7, M8)
NS	B1372801	SIGHT GLASS

Image 2:

12	B1360335	CONTACTOR
22	1284835	CAPACITOR STRAP
32	B945673	CAPACITOR 20/440

Expanded Model Nomenclature

M1 - CKL090-3
M2 - CKL090-3L
M3 - CKL090-4
M4 - CKL090-4L
M5 - CKL120-3
M6 - CKL120-3L
M7 - CKL120-4
M8 - CKL120-4L

Compressor / Tubing Assembly

Image 1

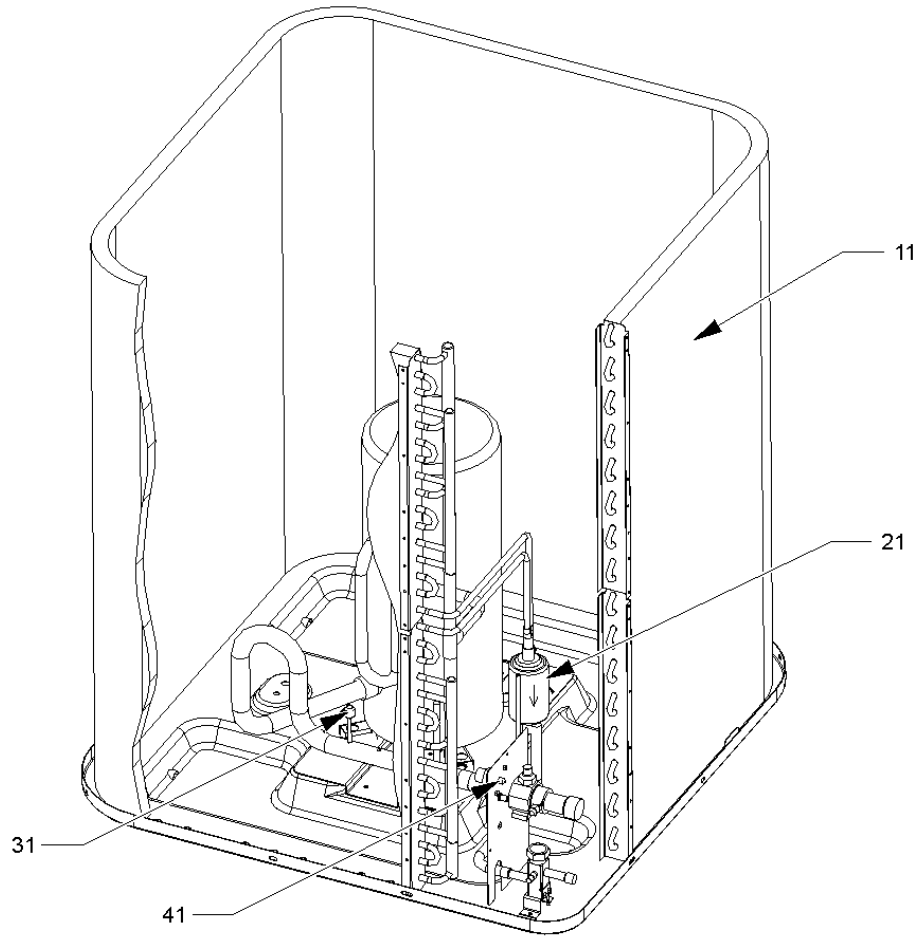
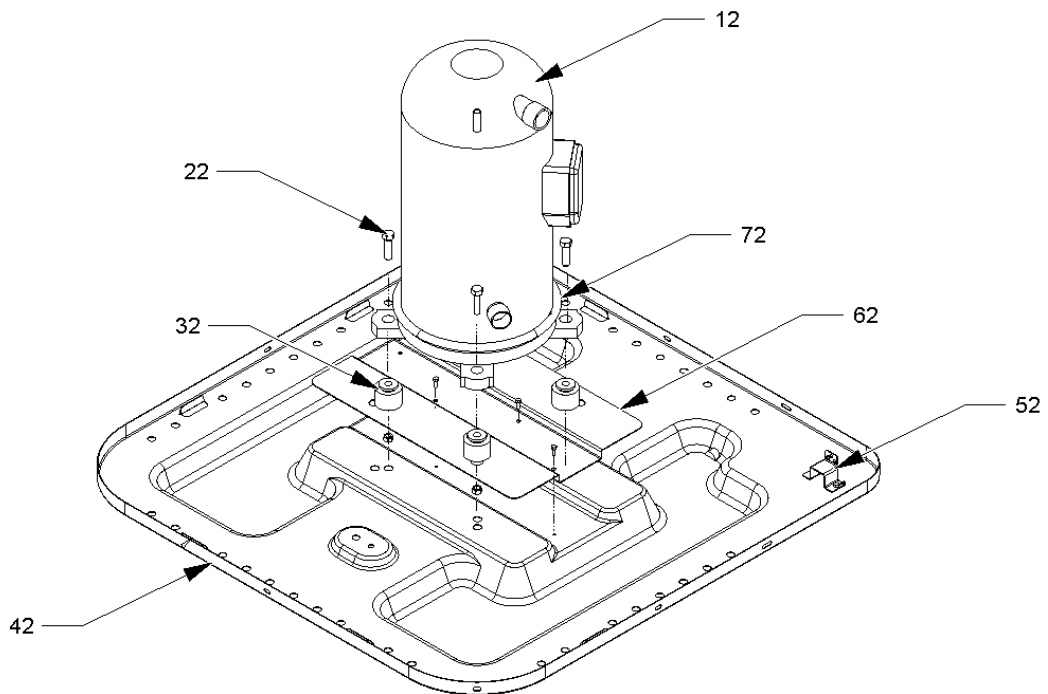


Image 2



Compressor / Tubing Assembly

Ref Part No:	Description:	Ref. Part No:	Description:
--------------	--------------	---------------	--------------

Image 1:

11	1262116	ASSY, CRATED COND SERVICE COIL (M5, M6, M7, M8)
11	1262117	ASSY, CRATED COND SERVICE COIL (M1, M2, M3, M4)
21	B1219226	FILTER DRIER (M1)
21	B1219228	FILTER DRIER (M2, M3, M4, M5, M6, M7, M8)
31	B1360719	LOW PRESSURE SWITCH
41	B1360721	HIGH PRESSURE SWITCH

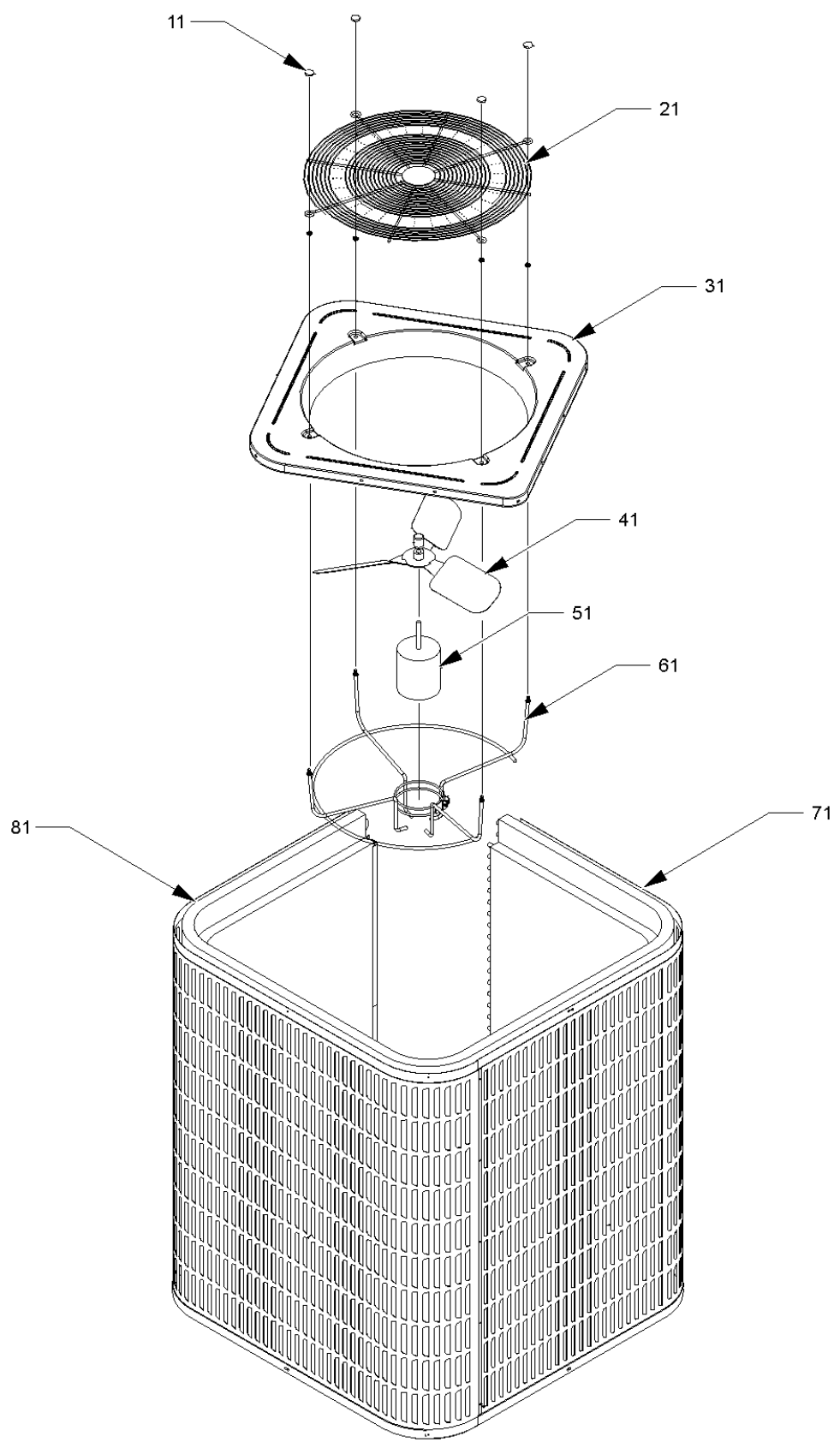
Image 2:

12	ZR108KCTFD950	COMPRESSOR 10900 460/60/3 (M7, M8)
12	ZR108KCTF5950	COMPRESSOR 10900, 200/230/60/3 (M5, M6)
12	ZR84KCTF5950	COMPRESSOR 85500 200/230/60/3 (M1, M2)
12	ZR84KCTFD950	COMPRESSOR 85500 460/60/3 (M3, M4)
22	B1393702	COMPRESSOR BOLT & SLEEVE (M1)
22	B1393740	COMPRESSOR BOLT & SLEEVE (M2, M3, M4, M5, M6, M7, M8)
32	B1339533	COMPRESSOR GROMMET (QTY 4)
42	4279100PDG	BASE PAN 35"
62	4279102	COMPRESSOR SUPPORT 35"
72	B1243749	CRANKCASE HEATER 240V, 75 WATTS (M1, M2, M5, M6)
72	B1243732	CRANKCASE HEATER 460V, 75 WATTS (M3, M4, M7, M8)

Expanded Model Nomenclature

M1 - CKL090-3
M2 - CKL090-3L
M3 - CKL090-4
M4 - CKL090-4L
M5 - CKL120-3
M6 - CKL120-3L
M7 - CKL120-4
M8 - CKL120-4L

Cabinet Top / Side Panels



Cabinet Top / Side Panels

Ref Part			Ref. Part		
.	No:	Description:	No:	No:	Description:

Image 1:

11	B1393025	PLASTIC GRILL FASTENER (QTY 4)
21	B1376925	FAN GRILL GUARD, 26"
31	4279400PDG	TOP PANEL 35"
41	B1086768	FAN BLADE 26"
51	B13400354S	MOTOR (M1, M2, M5, M6)
51	B13400355S	MOTOR 1 HP (M3, M4, M7, M8)
61	B1376926	MOUNT BRACKET, MOTOR
71	4203404PDG	LOUVER PANEL 40"
81	4203405PDG	LOUVER PANEL 40" HAIRPIN SIDE

Expanded Model Nomenclature

M1 - CKL090-3
M2 - CKL090-3L
M3 - CKL090-4
M4 - CKL090-4L
M5 - CKL120-3
M6 - CKL120-3L
M7 - CKL120-4
M8 - CKL120-4L