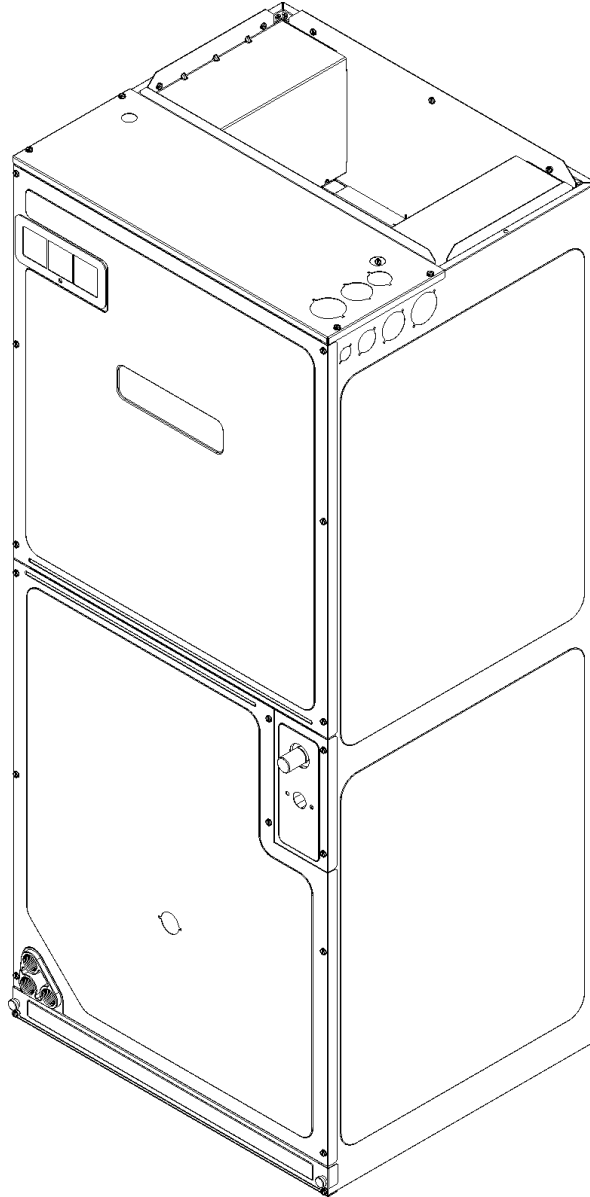


REPAIR PARTS

ASPT Air Handler

ASPT24B14AA
ASPT24B14AB
ASPT24B14AC
ASPT30C14AA
ASPT30C14AB
ASPT36C14AA
ASPT36C14AB
ASPT36C14AC
ASPT42C14AA
ASPT42D14AA
ASPT42D14AB
ASPT48C14AA
ASPT48D14AA
ASPT48D14AB
ASPT48D14AC
ASPT48D14AD
ASPT60D14AA
ASPT60D14AB
ASPT60D14AC



This manual is to be used by qualified technicians only.

This manual replaces RP-739C.

© 2012-2014 Goodman Manufacturing Company, L.P. ♦ 5151 San Felipe, Suite 500 ♦ Houston, TX 77056

Important Information

Index

Functional Parts List	3
Illustration and Parts	4 - 9

Views shown are for parts illustrations only, not servicing procedures

Updated 5-15-14: Removed the 9 pin wire harness drawing.

Text Codes:

AR - As Required

NA - Not Available

NS - Not Shown

00000000 - See Note

QTY - Quantity Example (QTY 3) (If Quantity not shown, Quantity = 1)

M - Model Example (M1) (If M Code not shown, then part is used on all Models)

Expanded Model Nomenclature:

Example M1 - Model#1 M2 - Model#2 M3 - Model#3

Goodman Manufacturing Company, L.P. is not responsible for personal injury or property damage resulting from improper service. Review all service information before beginning repairs.

Warranty service must be performed by an authorized technician, using authorized factory parts. If service is required after the warranty expires, Goodman Manufacturing Company, L.P. also recommends contacting an authorized technician and using authorized factory parts.

Goodman Manufacturing Company, L.P. reserves the right to discontinue, or change at any time, specifications or designs without notice or without incurring obligations.

For assistance within the U.S.A. contact:
Consumer Affairs Department
Goodman Manufacturing Company, L.P.
7401 Security Way
Houston, Texas 77040
877-254-4729-Telephone
713-863-2382-Facsimile

For assistance outside the U.S.A. contact:
International Division
Goodman Manufacturing Company, L.P.
7401 Security Way
Houston, Texas 77040
713-861-2500-Telephone
713-863-2382-Facsimile

Functional Parts

Part

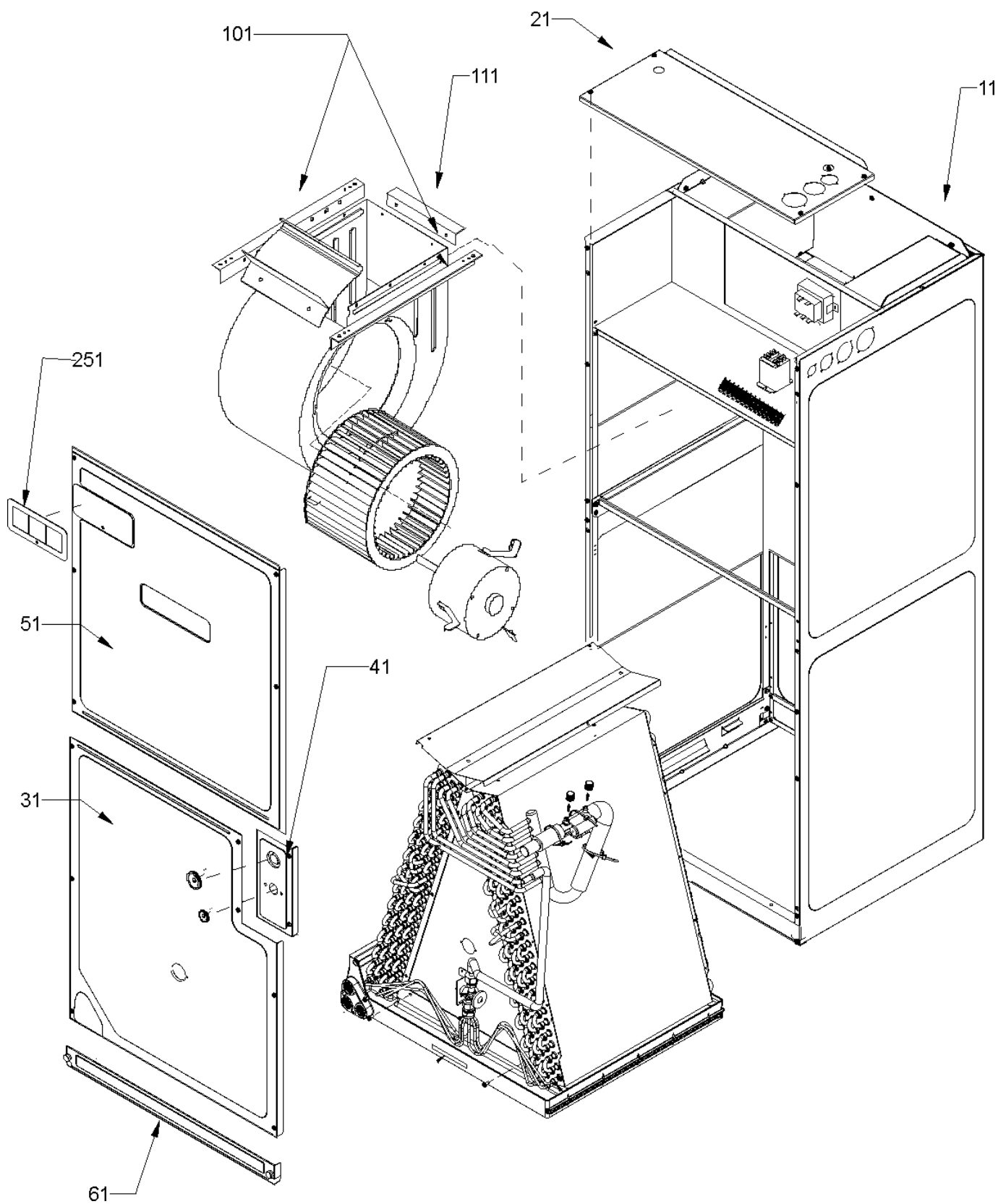
No: Description:

D6723306	BLOWER WHEEL (M9, M10, M11, M12)
D6723311	BLOWER WHEEL (M15, M16, M17, M18, M19)
B1368058	BLOWER WHEEL 10 X 8 (M4, M5, M6, M7, M8)
B1368042	BLOWER WHEEL 9 X 6 (M1, M2, M3)
0150M00037	BLOWER WHEEL, 10 X 10 (M13, M14)
0131M00608	MOTOR 1 HP PROGRAMMED (M16)
0131M00396	MOTOR 1HP, PROGRAMMED (M17, M18)
0131M00607	MOTOR 3/4 HP MOTOR PROGRAMMED (M11)
0131M00611	MOTOR PROGRAMMED (M5)
0131M00513	MOTOR PROGRAMMED (M10)
0131M00476	MOTOR PROGRAMMED (M4)
0131M00606	MOTOR, 1 HP PROGRAMMED (M19)
0131M00484	Motor, 1 HP, Programmed (M15)
0131M00393	Motor, 1/2 HP, Programmed (M1)
0131M00609	Motor, 3/4 HP, Programmed (M8, M9)
0131M00612	Motor, 3/4 HP, Programmed (M3)
0131M00481	Motor, 3/4 HP, Programmed (M2)
0131M00394	Motor, 3/4 HP, Programmed (M6, M7)
0131M00511	MOTOR-3/4 HP PROGRAM (M13, M14)
0131M00610	PROGRAMMED MOTOR, 3/4HP, X-13 (M12)
0130M00129	RELAY, WCK
0130M00020	TERMINAL BOARD
0130M00138	TRANSFORMER, 208/230, 24V
0151R00036	VALVE, TXV R-410A (M6, M7, M8, M9, M10, M11, M12)
0151R00035	VALVE, TXV R-410A (M13, M14, M15, M16, M17, M18, M19)
0151R00019	VALVE, TXV R-410A (M1, M2, M3, M4, M5)

Expanded Model Nomenclature

- | |
|-------------------|
| M1 - ASPT24B14AA |
| M2 - ASPT24B14AB |
| M3 - ASPT24B14AC |
| M4 - ASPT30C14AA |
| M5 - ASPT30C14AB |
| M6 - ASPT36C14AA |
| M7 - ASPT36C14AB |
| M8 - ASPT36C14AC |
| M9 - ASPT42C14AA |
| M10 - ASPT42D14AA |
| M11 - ASPT42D14AB |
| M12 - ASPT48C14AA |
| M13 - ASPT48D14AA |
| M14 - ASPT48D14AB |
| M15 - ASPT48D14AC |
| M16 - ASPT48D14AD |
| M17 - ASPT60D14AA |
| M18 - ASPT60D14AB |
| M19 - ASPT60D14AC |

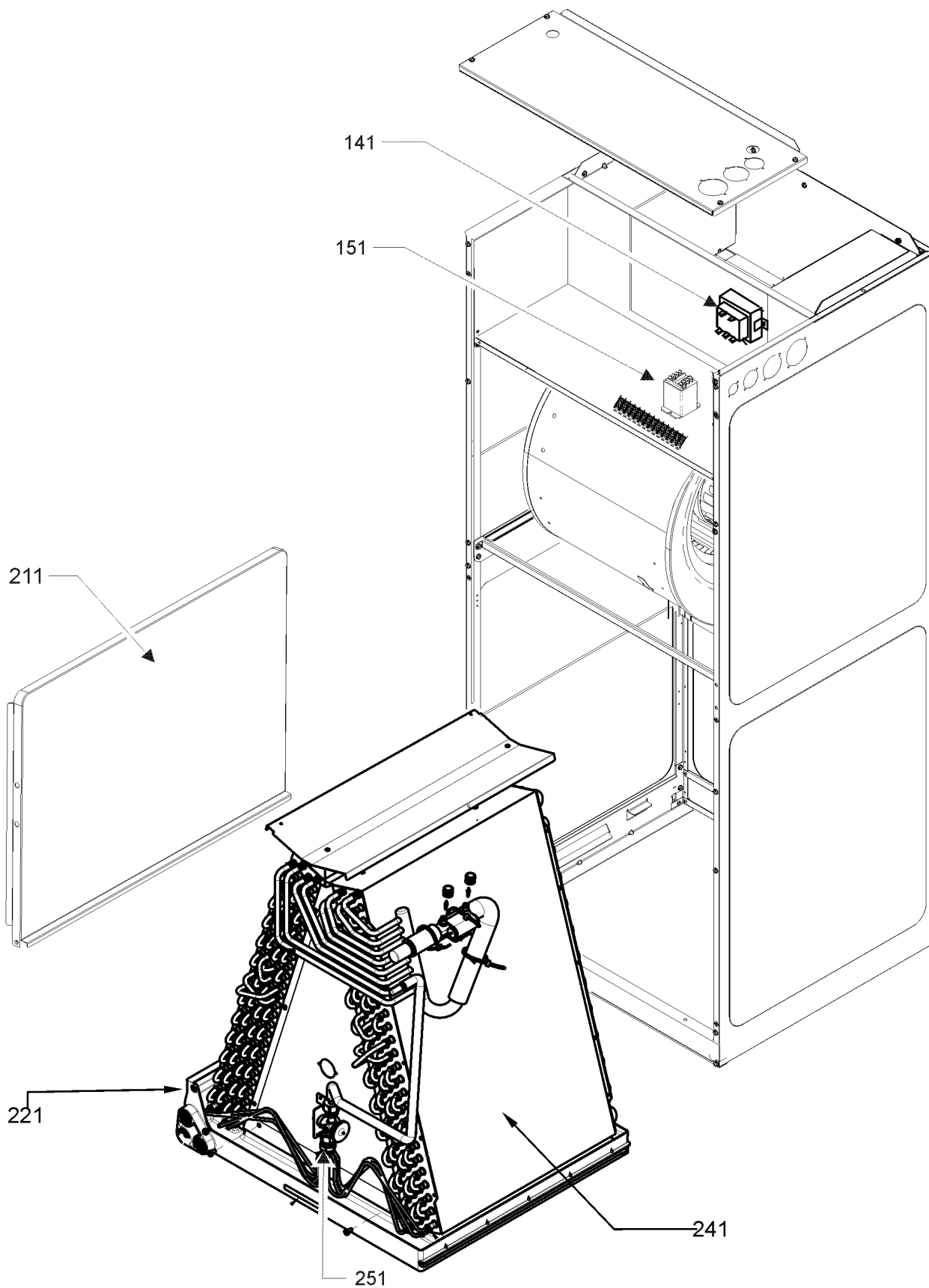
Cabinet Assy



Cabinet Assy

Ref. Part No:	No:	Description:	Ref. Part No:	No:	Description:
<i>Image 1:</i>			Expanded Model Nomenclature		
11	0270A00655PDG	Wrapper Assy, Painted (M1, M2, M3)	M1 -	ASPT24B14AA	
11	0270A00689PDG	Wrapper Assy, Painted (M4, M5, M6, M7, M8, M9, M12)	M2 -	ASPT24B14AB	
11	0270A00690PDG	Wrapper Assy, Painted (M10, M11, M13, M14, M15, M16, M17, M18, M19)	M3 -	ASPT24B14AC	
21	0121A00373PDG	Plate, Upper tie, Painted (M1, M2, M3)	M4 -	ASPT30C14AA	
21	0121A00374PDG	Plate, Upper tie, Painted (M4, M5, M6, M7, M8, M9, M12)	M5 -	ASPT30C14AB	
21	0121A00375PDG	Plate, Upper tie, Painted (M10, M11, M13, M14, M15, M16, M17, M18, M19)	M6 -	ASPT36C14AA	
31	0121A00248PDG	Panel, Lower Access, Ptd (M1, M2, M3)	M7 -	ASPT36C14AB	
31	0121A00249PDG	Panel, Lower Access, Ptd (M4, M5, M6, M7, M8, M9, M12)	M8 -	ASPT36C14AC	
31	0121A00250PDG	Panel, Lower Access, Ptd (M10, M11, M13, M14, M15, M16, M17, M18, M19)	M9 -	ASPT42C14AA	
51	0121A00178PDG	Panel, Upper Access, Ptd (M10, M11, M13, M14, M15, M16, M17, M18, M19)	M10 -	ASPT42D14AA	
51	0121A00209PDG	Panel, Upper Access, Ptd (M4, M5, M6, M7, M8, M9, M12)	M11 -	ASPT42D14AB	
51	0121A00210PDG	Panel, Upper Access, Ptd (M1, M2, M3)	M12 -	ASPT48C14AA	
61	0121A00242PDG	Panel, Filter Access, Ptd (M1, M2, M3)	M13 -	ASPT48D14AA	
61	0121A00243PDG	Panel, Filter Access, Ptd (M4, M5, M6, M7, M8, M9, M12)	M14 -	ASPT48D14AB	
61	0121A00244PDG	Panel, Filter Access, Ptd (M10, M11, M13, M14, M15, M16, M17, M18, M19)	M15 -	ASPT48D14AC	
101	0121A00275	Rail, Blower (M15, M16, M17, M18, M19)	M16 -	ASPT48D14AD	
101	0121A00336	Rail, Blower (M1, M2, M3)	M17 -	ASPT60D14AA	
111	0121A00337	Angle, Blower Mounting (M1, M2, M3)	M18 -	ASPT60D14AB	
111	0121A00353	Angle, Blower Mounting (M15, M16, M17, M18, M19)	M19 -	ASPT60D14AC	
251	0161A00034	PLASTIC BREAKER INSERT			
NS	BT1369063	90 DEGREE STUB (M2, M3, M4, M5, M6, M7, M8, M10, M11, M13, M14, M15, M16, M17, M18, M19)			
NS	0164A00002	GROMMET			
NS	B1392630	GROMMET			
NS	0163A00023	THUMB SCREW (QTY 2)			

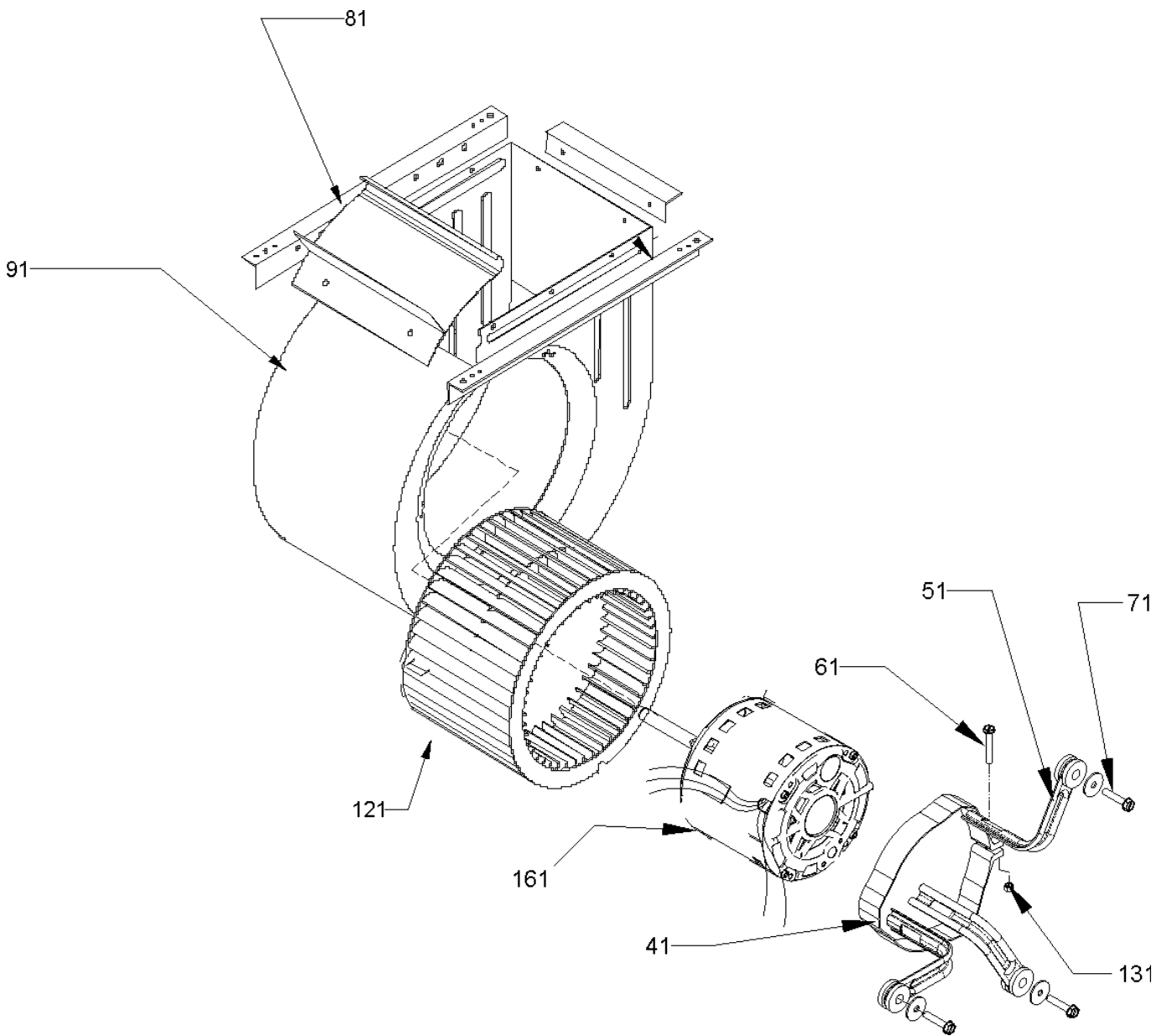
Internal Components



Internal Components

Ref. Part No:	Description:	Ref. Part No:	Description:
<i>Image 1:</i>		Expanded Model Nomenclature	
141	0130M00138 TRANSFORMER, 208/230, 24V	M1	ASPT24B14AA
151	0130M00129 RELAY, WCK	M2	ASPT24B14AB
211	0121A00304PDG Drip Shield, Ptd (M1, M2, M3)	M3	ASPT24B14AC
211	0121A00305PDG Drip Shield, Ptd (M4, M5, M6, M7, M8, M9, M12)	M4	ASPT30C14AA
211	0121A00306PDG Drip Shield, Ptd (M10, M11, M13, M14, M15, M16, M17, M18, M19)	M5	ASPT30C14AB
221	0161A00026 DRAIN PAN (M1, M2, M3)	M6	ASPT36C14AA
221	0161A00027 DRAIN PAN (M4, M5, M6, M7, M8, M9, M12)	M7	ASPT36C14AB
221	0161A00028 DRAIN PAN (M10, M11, M13, M14, M15, M16, M17, M18, M19)	M8	ASPT36C14AC
241	0270A00672 COIL TUBING ASSY (M1)	M9	ASPT42C14AA
241	0270A00680 COIL TUBING ASSY (M17)	M10	ASPT42D14AA
241	0270A00686 COIL TUBING ASSY (M13)	M11	ASPT42D14AB
241	0270A00691 COIL TUBING ASSY (M6)	M12	ASPT48C14AA
241	0270A00699 COIL TUBING ASSY (M2, M3)	M13	ASPT48D14AA
241	0270A00702 COIL TUBING ASSY (M7, M8)	M14	ASPT48D14AB
241	0270A00704 COIL TUBING ASSY (M10, M11)	M15	ASPT48D14AC
241	0270A00705 COIL TUBING ASSY (M14)	M16	ASPT48D14AD
241	0270A00708 COIL TUBING ASSY (M15, M16, M18, M19)	M17	ASPT60D14AA
241	0270A00715 COIL TUBING ASSY (M4, M5)	M18	ASPT60D14AB
241	0270A00769 COIL TUBING ASSY (M9, M12)	M19	ASPT60D14AC
251	0151R00019 VALVE, TXV R-410A (M1, M2, M3, M4, M5)		
251	0151R00035 VALVE, TXV R-410A (M13, M14, M15, M16, M17, M18, M19)		
251	0151R00036 VALVE, TXV R-410A (M6, M7, M8, M9, M10, M11, M12)		
NS	0163M00175 CAP WITH O-RING		
NS	0161A00024 Plastic Condensate Collector (M1, M2, M3, M4, M5, M6, M7, M8, M10, M11, M13, M14, M15, M16, M17, M18, M19)		
NS	0161A00025 Plastic Condensate Collector (M1, M2, M3, M4, M5, M6, M7, M8, M10, M11, M13, M14, M15, M16, M17, M18, M19)		
NS	0161A00047 Plastic Condensate Collector (M9, M12)		
NS	0161A00048 Plastic Condensate Collector (M9, M12)		
NS	0130M00020 TERMINAL BOARD		
NS	B1787000 VALVE CORE		
NS	0259A00012P WIRE ASSY, 9 PIN FEMALE CONN.		
NS	0259A00014P WIRE ASSY, 9 PINN MALE CONN.		
NS	0130M00021 X-13 LOW VOLTAGE WIRE HARNESS		
NS	0130M00022 X-13 POWER HARNESS		

Blower Components



Blower Components

Ref. Part No:	No:	Description:	Ref. Part No:	No:	Description:
<i>Image 1:</i>			Expanded Model Nomenclature		
41	0121M00038	MOTOR MOUNT BAND (M1, M2, M3, M4, M5, M6, M7, M8)	M1 - ASPT24B14AA		
41	0121M00039	MOTOR MOUNT BAND (HEAVY DUTY) (M9, M10, M11, M12, M13, M14, M15, M16, M17, M18, M19)	M2 - ASPT24B14AB		
51	B1376853	MOTOR MOUNT ARM (M4, M5, M6, M7, M8)	M3 - ASPT24B14AC		
51	B1376861	MOTOR MOUNT ARM (M1, M2, M3)	M4 - ASPT30C14AA		
51	B1376863	MOTOR MOUNT ARM (HEAVY DUTY) (M9, M10, M11, M12, M13, M14, M15, M16, M17, M18, M19)	M5 - ASPT30C14AB		
61	B1393323	MACHINE SCREW HWH 1/4-20 X 1-1/2 BZ	M6 - ASPT36C14AA		
71	M0250565	TC SCREW 1.25" (QTY 3)	M7 - ASPT36C14AB		
81	1864700F	BELT DRIVE BLOWER CUT-OFF (M15, M16, M17, M18, M19)	M8 - ASPT36C14AC		
81	764741F	BLOWER BLOCK-OFF 10 X 10 (M9, M10, M11, M12, M13, M14)	M9 - ASPT42C14AA		
81	764733F	BLOWER CUT-OFF 9 X 6 (M1, M2, M3)	M10 - ASPT42D14AA		
81	764740	BLWR BLK-OFF,10X8 (M4, M5, M6, M7, M8)	M11 - ASPT42D14AB		
91	0271A00016	ASSY, BLOWER SHELL (M9, M10, M11, M12, M13, M14)	M12 - ASPT48C14AA		
91	0271A00013	ASSY, BLOWER SHELL (11 X 10) (M15, M16, M17, M18, M19)	M13 - ASPT48D14AA		
91	0271A00029	BLOWER HOUSING ASSY 10 X 8 (M4, M5, M6, M7, M8)	M14 - ASPT48D14AB		
91	1439389	BLOWER SHELL ASM F/ 9X6 WHL (M1, M2, M3)	M15 - ASPT48D14AC		
121	D6723306	BLOWER WHEEL (M9, M10, M11, M12)	M16 - ASPT48D14AD		
121	D6723311	BLOWER WHEEL (M15, M16, M17, M18, M19)	M17 - ASPT60D14AA		
121	B1368058	BLOWER WHEEL 10 X 8 (M4, M5, M6, M7, M8)	M18 - ASPT60D14AB		
121	B1368042	BLOWER WHEEL 9 X 6 (M1, M2, M3)	M19 - ASPT60D14AC		
121	0150M00037	BLOWER WHEEL, 10 X 10 (M13, M14)			
131	B1393800	LOCKNUT, NYLON, INSERT 1/4, 20			
161	0131M00608	MOTOR 1 HP PROGRAMMED (M16)			
161	0131M00396	MOTOR 1HP, PROGRAMMED (M17, M18)			
161	0131M00607	MOTOR 3/4 HP MOTOR PROGRAMMED (M11)			
161	0131M00476	MOTOR PROGRAMMED (M4)			
161	0131M00513	MOTOR PROGRAMMED (M10)			
161	0131M00611	MOTOR PROGRAMMED (M5)			
161	0131M00606	MOTOR, 1 HP PROGRAMMED (M19)			
161	0131M00484	Motor, 1 HP, Programmed (M15)			
161	0131M00393	Motor, 1/2 HP, Programmed (M1)			
161	0131M00394	Motor, 3/4 HP, Programmed (M6, M7)			
161	0131M00481	Motor, 3/4 HP, Programmed (M2)			
161	0131M00609	Motor, 3/4 HP, Programmed (M8, M9)			
161	0131M00612	Motor, 3/4 HP, Programmed (M3)			
161	0131M00511	MOTOR-3/4 HP PROGRAM (M13, M14)			
161	0131M00610	PROGRAMMED MOTOR, 3/4HP, X-13 (M12)			
NS	B1392918	WASHER, FLAT 1/4 ID X 1 OD (QTY 3)			