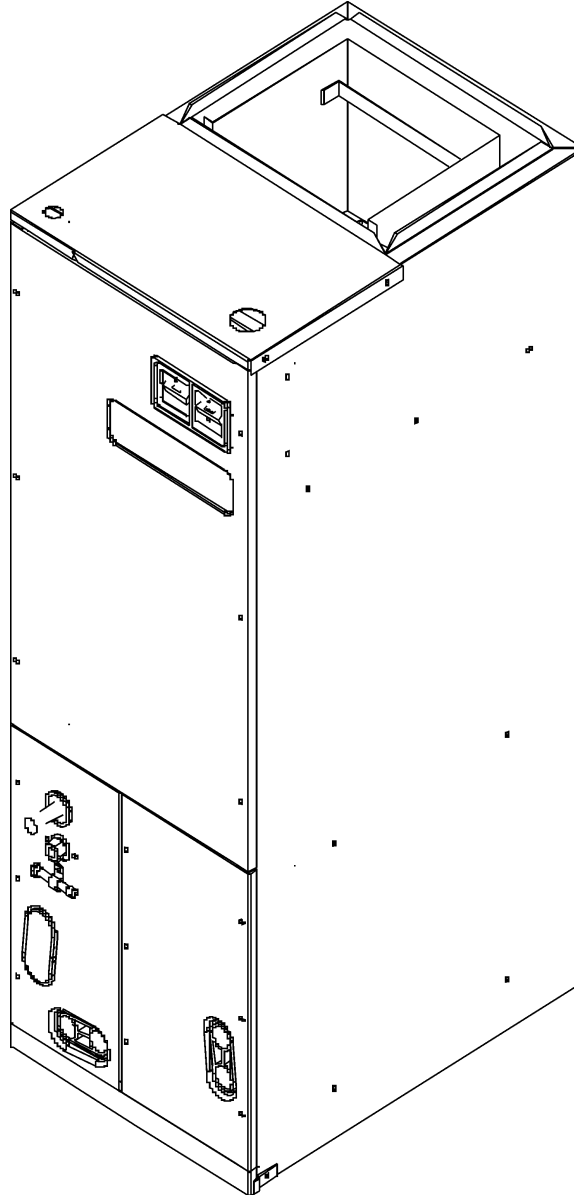


REPAIR PARTS

ARUF Air Handler

ARUF172916CA
ARUF182416CA
ARUF193116CA
ARUF303016CA
ARUF363616CA
ARUF364216CA
ARUF374316CA
ARUF486016CA
ARUF496116CA



This manual is to be used by qualified technicians only.

This manual replaces RP-616B.

© 2010, 2014 Goodman Manufacturing Company, L.P. ♦ 5151 San Felipe St., Suite 500 ♦ Houston, TX 77056

Important Information

Index

Functional Parts List	3
Illustration and Parts	4 - 9

Views shown are for parts illustrations only, not servicing procedures

Rev C: Addition of the blower mounting angle to ARUF364216CA.

Text Codes:

AR - As Required

NA - Not Available

NS - Not Shown

00000000 - See Note

QTY - Quantity Example (QTY 3) (If Quantity not shown, Quantity = 1)

M - Model Example (M1) (If M Code not shown, then part is used on all Models)

Expanded Model Nomenclature:

Example M1 - Model#1 M2 - Model#2 M3 - Model#3

Goodman Manufacturing Company, L.P. is not responsible for personal injury or property damage resulting from improper service. Review all service information before beginning repairs.

Warranty service must be performed by an authorized technician, using authorized factory parts. If service is required after the warranty expires, Goodman Manufacturing Company, L.P. also recommends contacting an authorized technician and using authorized factory parts.

Goodman Manufacturing Company, L.P. reserves the right to discontinue, or change at any time, specifications or designs without notice or without incurring obligations.

For assistance within the U.S.A. contact:
Consumer Affairs Department
Goodman Manufacturing Company, L.P.
7401 Security Way
Houston, Texas 77040
877-254-4729-Telephone
713-863-2382-Facsimile

For assistance outside the U.S.A. contact:
International Division
Goodman Manufacturing Company, L.P.
7401 Security Way
Houston, Texas 77040
713-861-2500-Telephone
713-863-2382-Facsimile

Functional Parts

Part

No: **Description:**

11091204	BLOWER MOTOR 1/2 HP, 3 SP, 8 PL (M6, M7)
11091203	BLOWER MOTOR 1/3 HP, 3 SP, 6 PL (M4, M5)
0131M00005P	BLOWER MOTOR 1/3 HP, 3 SP, 6 PL (M1, M2)
11091207	BLOWER MOTOR 1/4 HP, 3 SP, 8 PL (M3)
0131M00000P	BLOWER MOTOR 3/4 HP, 3 SP, 6 PL (M8, M9)
D6723311	BLOWER WHEEL (M7)
B1368016	BLOWER WHEEL 10 X 8 (M6)
0150M00000P	BLOWER WHEEL 9 X 6 (M1, M2)
B1368042	BLOWER WHEEL 9 X 6 (M3)
0150G00000P	BLOWER WHEEL 9 X 8 (M4, M5)
CAP100000370LA	CAPACITOR 10/370V (M1, M2, M3, M4, M5)
CAP150000370LA	CAPACITOR 15/370V (M6, M7, M8, M9)
PCBFM103	ELECTRONIC BLOWER TIME DELAY
0130M00138	TRANSFORMER 208/230, 24V
0150M00037	WHEEL, BLOWER 10 X 10 (M8, M9)

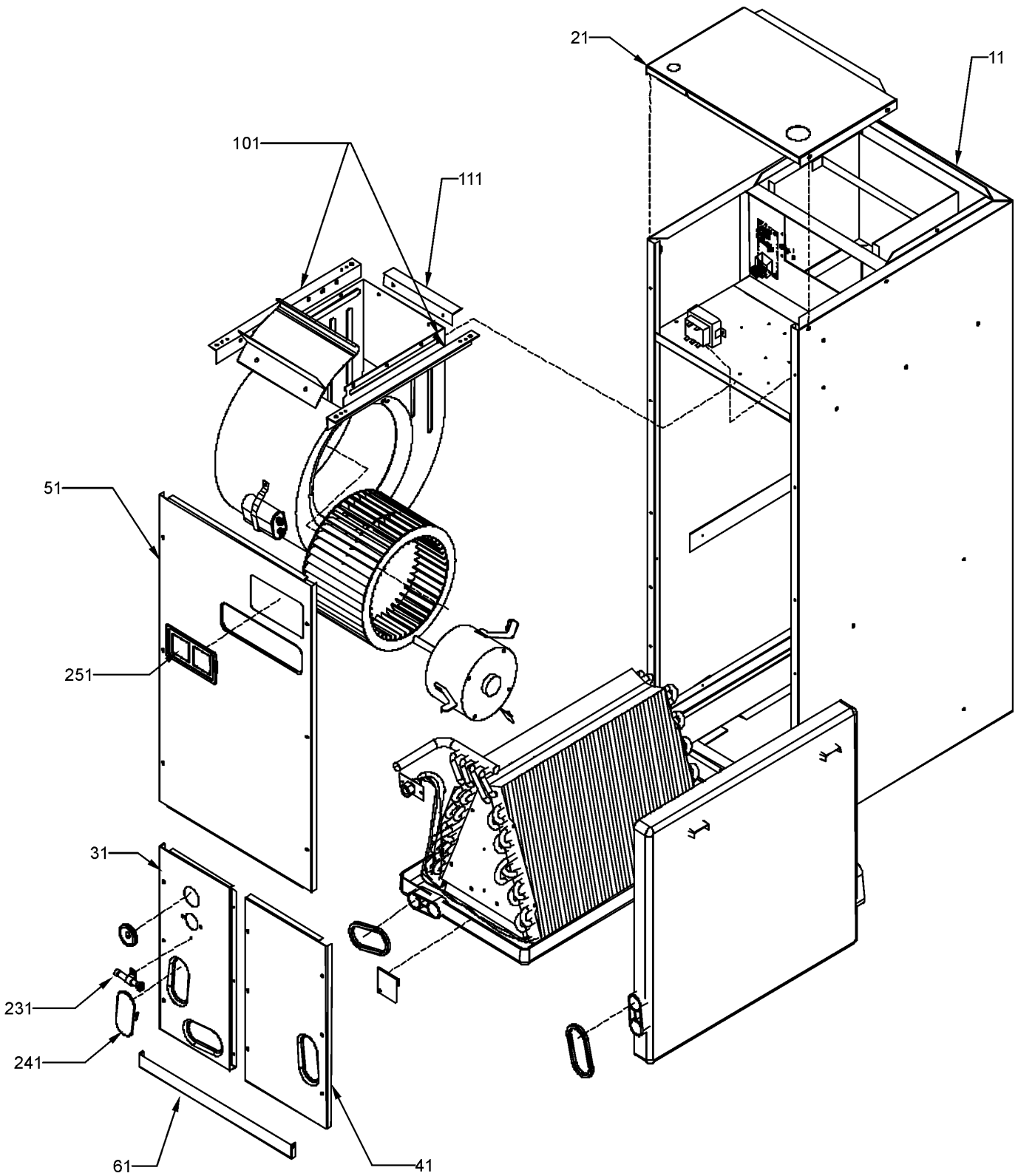
SPECIAL PARTS

PKCG-4001G PISTON KIT CHART

Expanded Model Nomenclature

M1 - ARUF172916CA
M2 - ARUF182416CA
M3 - ARUF193116CA
M4 - ARUF303016CA
M5 - ARUF363616CA
M6 - ARUF364216CA
M7 - ARUF374316CA
M8 - ARUF486016CA
M9 - ARUF496116CA

Cabinet



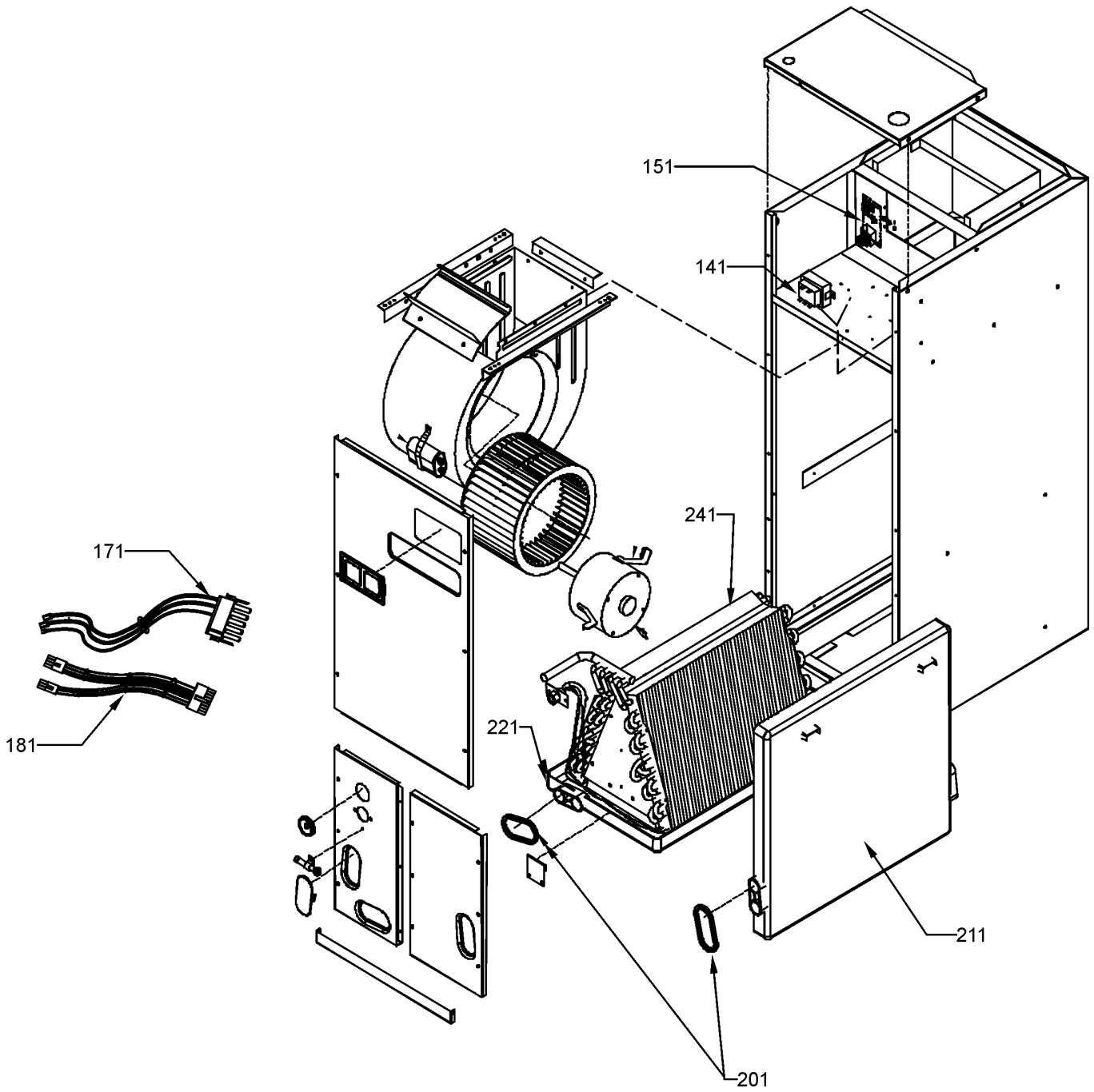
Cabinet

Ref. Part No:	No:	Description:	Ref. Part No:	No:	Description:
Image 1:					
11	1721123	WRAPPER ASSY LRG (M6, M7, M8, M9)			
11	0121A00494	WRAPPER, MEDIUM (M3, M4, M5)			
11	1721121	WRAPPER, SMALL (M1, M2)			
21	0121A00033PDG	UPPER TIE PLATE (M3, M4, M5)			
21	0121A00035PDG	UPPER TIE PLATE (M6, M7, M8, M9)			
21	1721931PDG	UPPER TIE PLATE (M1, M2)			
31	1722077PDG	LOWER ACCESS PANEL (M1, M2, M3, M4, M5)			
31	1722078PDG	LOWER ACCESS PANEL (M6, M7, M8, M9)			
41	1722079PDG	LOWER SERVICE PANEL (M1, M2)			
41	1722080PDG	LOWER SERVICE PANEL (M3, M4, M5)			
41	1722081PDG	LOWER SERVICE PANEL (M6, M7, M8, M9)			
51	1722082PDG	UPPER ACCESS PANEL (M1, M2)			
51	1722083PDG	UPPER ACCESS PANEL (M3, M4, M5)			
51	1722084PDG	UPPER ACCESS PANEL (M6, M7, M8, M9)			
61	1722085PDG	FILTER COVER (M1, M2)			
61	1722087PDG	FILTER COVER LRG (M6, M7, M8, M9)			
61	1722086PDG	FILTER COVER MED (M3, M4, M5)			
101	0121A00016	BLOWER MOUNTING ANGLE (M3)			
101	0121A00027	BLOWER MOUNTING ANGLE (M1, M2, M4, M5, M6, M7)			
111	0121A00495	BLOWER MOUNTING ANGLE (M1, M2, M3, M4, M5, M6, M7)			
231	BT1369063	90 DEGREE STUB			
241	B1392640	PLASTIC DRAIN COVER			
251	0161A00034	PLASTIC CIRCUIT BREAKER INSERT			
NS	1721918	BOTTOM TIE LRG (M6, M7, M8, M9)			
NS	1721917	BOTTOM TIE MED (M3, M4, M5)			
NS	1721916	BOTTOM TIE PLATE SML (M1, M2)			

Expanded Model Nomenclature

- | |
|-------------------|
| M1 - ARUF172916CA |
| M2 - ARUF182416CA |
| M3 - ARUF193116CA |
| M4 - ARUF303016CA |
| M5 - ARUF363616CA |
| M6 - ARUF364216CA |
| M7 - ARUF374316CA |
| M8 - ARUF486016CA |
| M9 - ARUF496116CA |

Internal Components



Internal Components

Ref. Part No:	Ref. Part No:	Description:	Description:
Image 1:			
141	0130M00138	TRANSFORMER 208/230, 24V	
151	PCBFM103	ELECTRONIC BLOWER TIME DELAY	
171	0259A00001P	WIRE ASSY, 9-PIN FEMALE CONNECTOR (M1, M2)	
171	0259A00005P	WIRE ASSY, 9-PIN FEMALE CONNECTOR (M3, M4, M5, M6, M7, M8, M9)	
181	0259A00002P	WIRE ASSY, 9-PIN MALE CONNECTOR	
201	0154A00000BL	DRAIN PAN GASKET (QTY 2)	
211	B1756021L	PLASTIC DRAIN PAN (HORIZONTAL) (M1, M2)	
211	B1756022L	PLASTIC DRAIN PAN (HORIZONTAL) (M3, M4, M5)	
211	B1756028L	PLASTIC DRAIN PAN (HORIZONTAL) (M6, M7, M8, M9)	
221	B1756017LA	DRAIN PAN MED (M3, M5)	
221	B1756013L	PLASTIC DRAIN PAN (VERTICAL) (M1, M2)	
221	B1756017L	PLASTIC DRAIN PAN (VERTICAL) (M4)	
221	B1756020L	PLASTIC DRAIN PAN (VERTICAL) (M6, M7, M8, M9)	
241	0270A00408	COIL TUBING ASSY (M6)	
241	0270A00413	COIL TUBING ASSY (M8)	
241	0270A00414	COIL TUBING ASSY (M7, M9)	
241	0270A00418	COIL TUBING ASSY (M3)	
241	0270A00419	COIL TUBING ASSY (M4)	
241	0270A00422	COIL TUBING ASSY (M5)	
241	0270A00424	COIL TUBING ASSY (M1)	
241	0270A00426	COIL TUBING ASSY (M2)	
NS	0163M00175	CAP W/O-RING	
NS	0162A00048	FLOWRATOR .059 (M2)	
NS	0162A00060	FLOWRATOR .065 (M4)	
NS	0162A00061	FLOWRATOR .065 (M1)	
NS	0162A00049	FLOWRATOR .068 (M3)	
NS	0162A00050	FLOWRATOR .074 (M5)	
NS	0162D00053	FLOWRATOR .078 (M6)	
NS	0162A00051	FLOWRATOR .093 (M7, M9)	
NS	0162A00075	FLOWRATOR .096 (M8)	
NS	B1787000	VALVE CORE	

Expanded Model Nomenclature

M1 - ARUF172916CA
M2 - ARUF182416CA
M3 - ARUF193116CA
M4 - ARUF303016CA
M5 - ARUF363616CA
M6 - ARUF364216CA
M7 - ARUF374316CA
M8 - ARUF486016CA
M9 - ARUF496116CA

Blower Components

Image 1

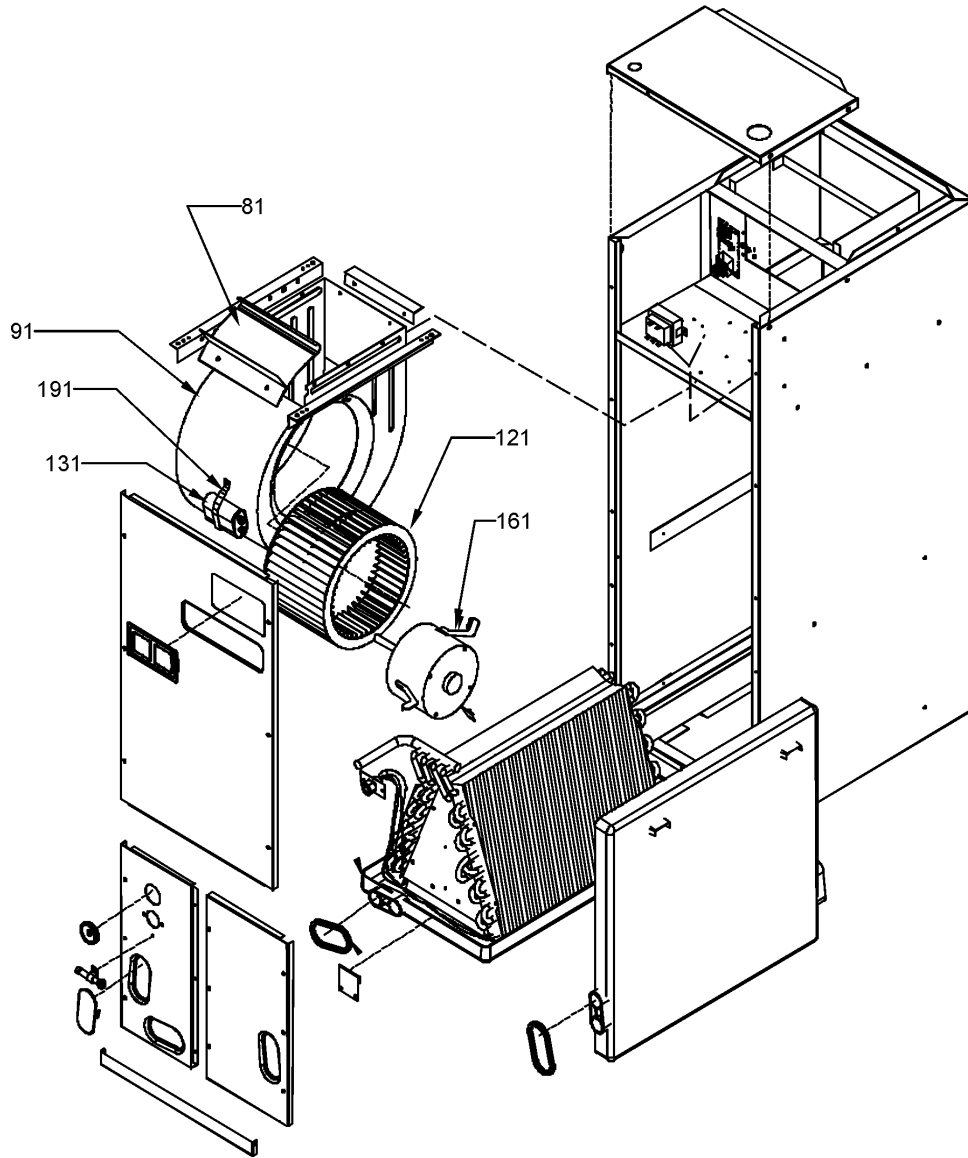
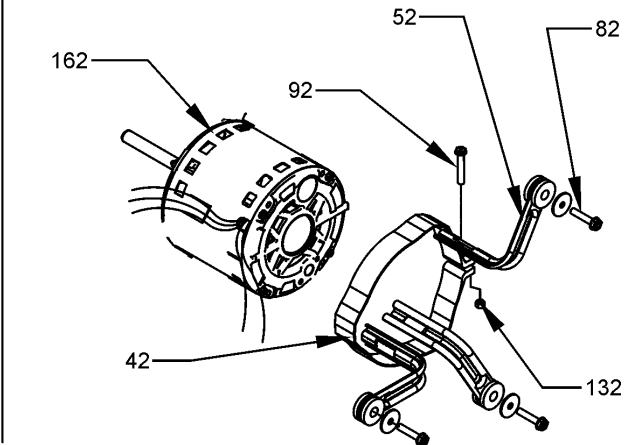


Image 2



Blower Components

Ref. Part No: No:	Description:	Ref. Part No: No:	Description:
-------------------	--------------	-------------------	--------------

Image 1:

81	764741	BLOWER BLOCK-OFF 10 X 10 (M8, M9)
81	764740	BLOWER BLOCK-OFF 10 X 8 (M6)
81	0270A00101	BLOWER CUT-OFF (M7)
81	764734	BLOWER CUT-OFF (M4, M5)
81	764733	BLOWER CUT-OFF 9 X 6 (M1, M2, M3)
91	0271A00016	BLOWER HOUSING ASSY 10 X 10 (M8, M9)
91	0271A00029	BLOWER HOUSING ASSY 10 X 8 (M6)
91	0271A00013	BLOWER HOUSING ASSY 11 X 10 (M7)
91	1439389	BLOWER HOUSING ASSY 9 X 6 (M1, M2, M3)
91	1839304	BLOWER HOUSING ASSY 9 X 8 (M4, M5)
121	D6723311	BLOWER WHEEL (M7)
121	B1368016	BLOWER WHEEL 10 X 8 (M6)
121	0150M00000P	BLOWER WHEEL 9 X 6 (M1, M2)
121	B1368042	BLOWER WHEEL 9 X 6 (M3)
121	0150G00000P	BLOWER WHEEL 9 X 8 (M4, M5)
121	0150M00037	WHEEL, BLOWER 10 X 10 (M8, M9)
131	CAP100000370LA	CAPACITOR 10/370V (M1, M2, M3, M4, M5)
131	CAP150000370LA	CAPACITOR 15/370V (M6, M7, M8, M9)
161	0131M00005P	BLOWER MOTOR 1/3 HP, 3 SP, 6 PL (M1, M2)
161	11091203	BLOWER MOTOR 1/3 HP, 3 SP, 6 PL (M4, M5)
161	11091207	BLOWER MOTOR 1/4 HP, 3 SP, 8 PL (M3)
191	1284835	CAPACITOR STRAP

Image 2:

42	0121M00038	MOTOR MOUNT BAND (M6)
42	0121M00039	MOTOR MOUNT BAND (HEAVY DUTY) (M7, M8, M9)
52	B1376853	MOTOR MOUNT ARM (M6)
52	B1376863	MOTOR MOUNT ARM (HEAVY DUTY) (M7, M8, M9)
82	B1393309	MACHINE SCREW, 1/4-20 TPI X 3/4" LG (M1, M2, M3, M4, M5)
82	B1393527	SCREW, HWH, 14X1-1/2, A, BZ, SLOT (M7)
82	M0250565	TC SCREW 1.25" (M6, M8, M9)
92	B1393323	MACHINE SCREW HWH 1/4-20 X 1-1/2 BZ (M6, M7, M8, M9)
132	B1393800	LOCKNUT, NYLON, INSERT 1/4, 20 (M6, M7, M8, M9)
162	11091204	BLOWER MOTOR 1/2 HP, 3 SP, 8 PL (M6, M7)
162	0131M00000P	BLOWER MOTOR 3/4 HP, 3 SP, 6 PL (M8, M9)

Expanded Model Nomenclature

M1 - ARUF172916CA
M2 - ARUF182416CA
M3 - ARUF193116CA
M4 - ARUF303016CA
M5 - ARUF363616CA
M6 - ARUF364216CA
M7 - ARUF374316CA
M8 - ARUF486016CA
M9 - ARUF496116CA