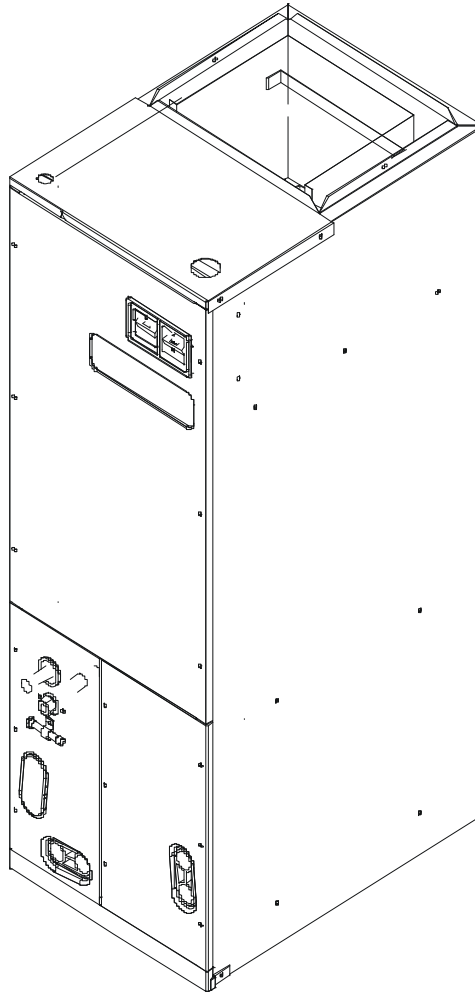


REPAIR PARTS

ARPF Air Handlers

ARPF182416AA
ARPF182416BA
ARPF193116AA
ARPF193116BA
ARPF303016AA
ARPF303016BA
ARPF363616AA
ARPF363616BA
ARPF364216AA
ARPF364216AB
ARPF364216AC
ARPF364216BA
ARPF364216CA
ARPF374316AA
ARPF374316BA
ARPF486016AA
ARPF486016AB
ARPF486016BA
ARPF496116AA



This manual is to be used by qualified technicians only.

This manual replaces RP-383D

© 2005-2008, 2010 Goodman Manufacturing Company, L.P. ♦ 5151 San Felipe, Suite 500 ♦ Houston, TX 77056

Important Information

Index

Functional Parts List	3
Illustration and Parts	4 - 9

Views shown are for parts illustrations only, not servicing procedures.

Revision E: Added model ARPF364216CA

Text Codes:

AR - As Required

NA - Not Available

NS - Not Shown

00000000 - See Note

QTY - Quantity Example (QTY 3) (If Quantity not shown, Quantity = 1)

M - Model Example (M1) (If M Code not shown, then part is used on all Models)

Expanded Model Nomenclature:

Example
M1 - Model#1
M2 - Model#2
M3 - Model#3

Goodman Manufacturing Company, L.P. is not responsible for personal injury or property damage resulting from improper service. Review all service information before beginning repairs.

Warranty service must be performed by an authorized technician, using authorized factory parts. If service is required after the warranty expires, Goodman Manufacturing Company, L.P. also recommends contacting an authorized technician and using authorized factory parts.

Goodman Manufacturing Company, L.P. reserves the right to discontinue, or change at any time, specifications or designs without notice or without incurring obligations.

For assistance within the U.S.A. contact:
Consumer Affairs Department
Goodman Manufacturing Company, L.P.
7401 Security Way
Houston, Texas 77040
877-254-4729-Telephone
713-863-2382-Facsimile

For assistance outside the U.S.A. contact:
International Division
Goodman Manufacturing Company, L.P.
7401 Security Way
Houston, Texas 77040
713-861-2500-Telephone
713-863-2382-Facsimile

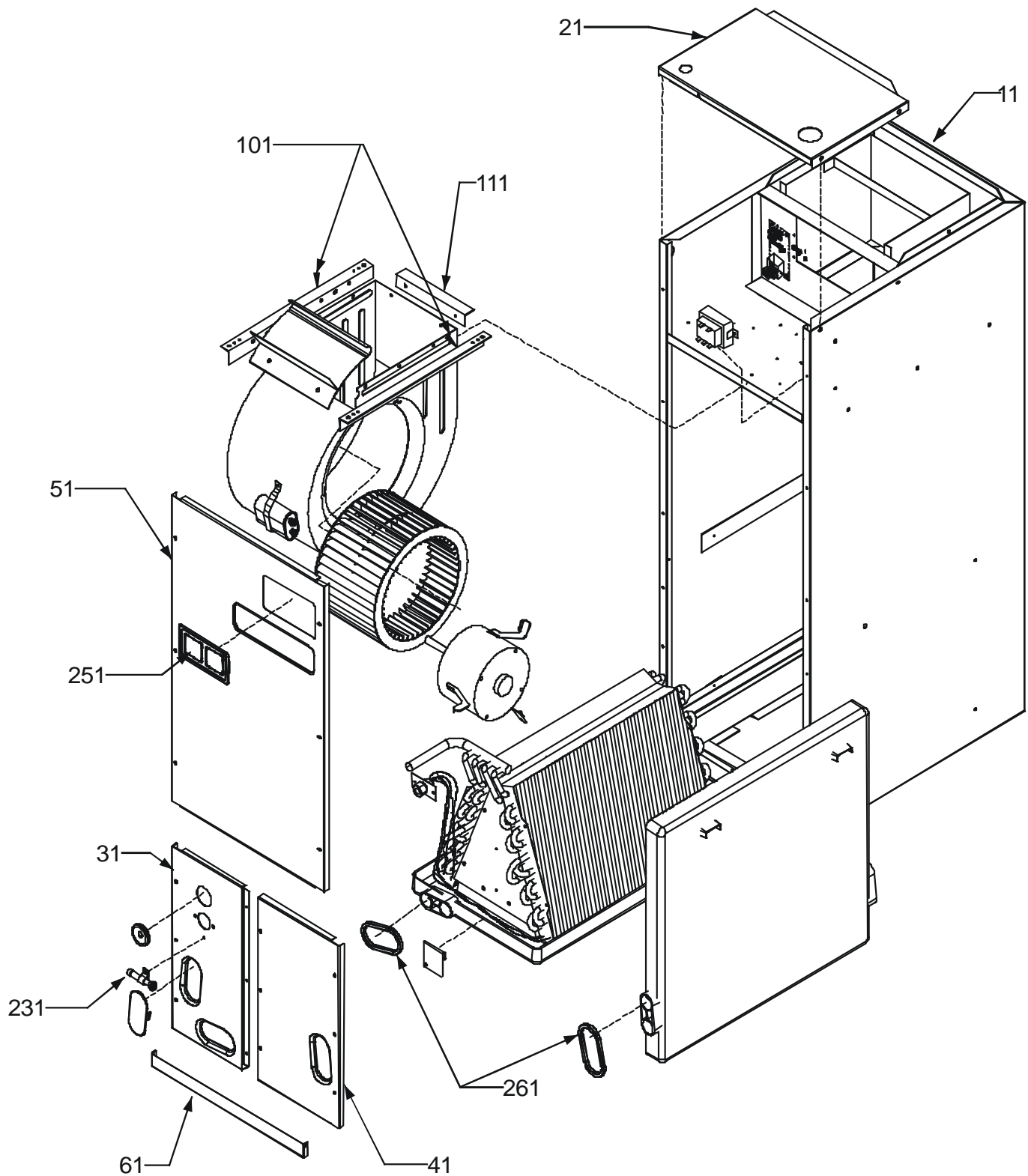
Functional Parts

Part No:

Description:

Part No:	Description:	
11091204S	BLOWER MOTOR 1/2 HP, 3 SP, 8 PL (M9, M10, M11, M12, M13, M14, M15)	0259A00002P WIRE ASSY, 9-PIN MALE CONNECTOR
11091203S	BLOWER MOTOR 1/3 HP, 3 SP, 6 PL (M5, M6, M7, M8)	SPECIAL PARTS
0131M00005PS	BLOWER MOTOR 1/3 HP, 3 SP, 6 PL (M1, M2)	IO-355B INSTRUCTION MANUAL
11091207S	BLOWER MOTOR 1/4 HP, 3 SP, 8 PL (M3, M4)	PKC-01B PISTON KIT CHART
0131M00000PS	BLOWER MOTOR 3/4 HP, 3 SP, 6 PL (M16, M17, M18, M19)	Expanded Model Nomenclature
D6723306S	BLOWER WHEEL (M16, M17, M18, M19)	M1 - ARPF182416AA
D6723311S	BLOWER WHEEL (M14, M15)	M2 - ARPF182416BA
B1368016S	BLOWER WHEEL 10 X 8 (M9, M10, M11, M12, M13)	M3 - ARPF193116AA
0150M00000S	BLOWER WHEEL 9 X 6 (M1, M2)	M4 - ARPF193116BA
B1368042S	BLOWER WHEEL 9 X 6 (M3, M4)	M5 - ARPF303016AA
0150G00000P	BLOWER WHEEL 9 X 8 (M5, M6, M7, M8)	M6 - ARPF303016BA
PCBFM131	BOARD, ELECTRONIC BLOWER TIME DELAY RELAY	M7 - ARPF363616AA
CAP100000370VAS	CAPACITOR 10/370V [BLOWER] (M1, M2, M3, M4, M5, M6, M7, M8)	M8 - ARPF363616BA
CAP150000370VAS	CAPACITOR 15/370V (M9, M10, M11, M12, M13, M14, M15, M16, M17, M18, M19)	M9 - ARPF364216AA
0270A00408S	COIL PAN ASSY (M13)	M10 - ARPF364216AB
1262404	COIL PAN ASSY (M9, M10, M11, M12)	M11 - ARPF364216AC
1262405	COIL PAN ASSY (M14, M15, M16, M17, M18, M19)	M12 - ARPF364216BA
0202A00024S	COIL PAN ASSY (M3, M4)	M13 - ARPF364216CA
0202A00030S	COIL PAN ASSY (M7, M8)	M14 - ARPF374316AA
1262403	COIL PAN ASSY (M5, M6)	M15 - ARPF374316BA
1262401	COIL PAN ASSY (M1, M2)	M16 - ARPF486016AA
0162D00004P	FLOWRATOR .059 (M1)	M17 - ARPF486016AB
0162D00028	FLOWRATOR .059 (M2)	M18 - ARPF486016BA
0162D00005P	FLOWRATOR .065 (M5, M6)	M19 - ARPF496116AA
0162D00021	FLOWRATOR .068 (M3)	
0162D00031	FLOWRATOR .068 (M4)	
0162D00023	FLOWRATOR .074 (M7)	
0162D00032S	FLOWRATOR .074 (M8)	
0162D00020	FLOWRATOR .078 (M14)	
0162D00006P	FLOWRATOR .078 (M9, M10, M11, M12)	
0162A00043	FLOWRATOR .078 (M13)	
0162D00007P	FLOWRATOR .093 (M15, M16, M17, M19)	
0162D00033S	FLOWRATOR .096 (M18)	
B1141643	TRANSFORMER 208/230, 24V	
0259A00001P	WIRE ASSY, 9-PIN FEMALE CONNECTOR (M1, M2)	
0259A00005P	WIRE ASSY, 9-PIN FEMALE CONNECTOR (M3, M4, M5, M6, M7, M8, M9, M10, M11, M12, M13, M14, M15, M16, M17, M18, M19)	

Cabinet

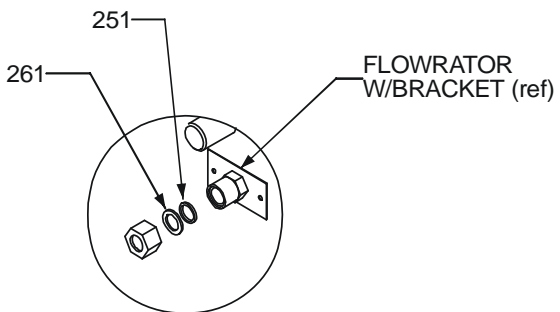
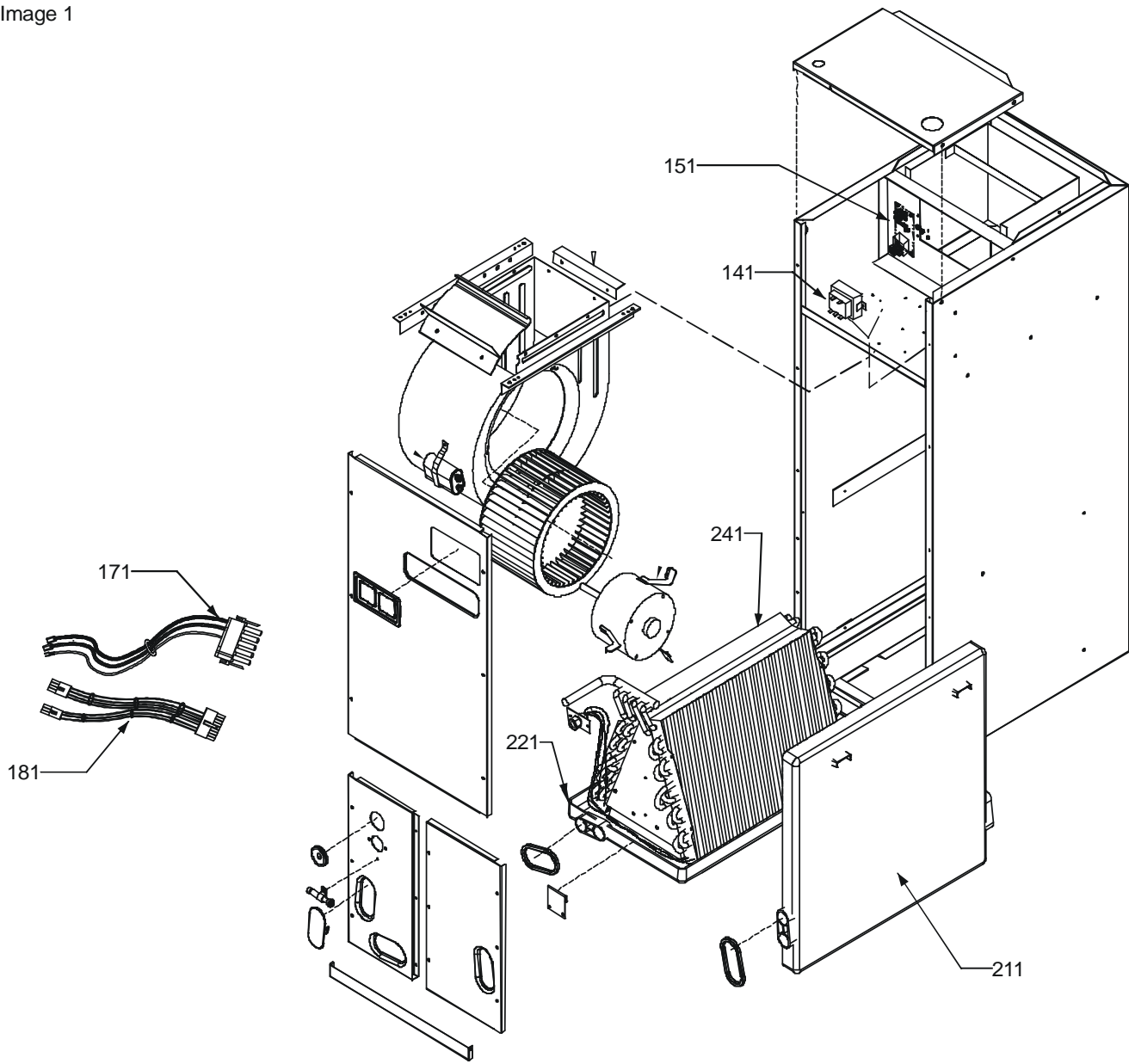


Cabinet

Ref. Part No:	No:	Description:	Ref. Part No:	No:	Description:
<i>Image 1:</i>			Expanded Model Nomenclature		
11	1721121PDG	WRAPPER (M1, M2)	M1	-	ARPF182416AA
11	1721122PDG	WRAPPER (M3, M4, M5, M6, M7, M8)	M2	-	ARPF182416BA
11	1721123PDG	WRAPPER (M9, M10, M11, M12, M13, M14, M15, M16, M17, M18, M19)	M3	-	ARPF193116AA
21	0121A00033	UPPER TIE PLATE (M3, M4, M5, M6, M7, M8)	M4	-	ARPF193116BA
21	0121A00035	UPPER TIE PLATE (M9, M10, M11, M12, M13, M14, M15, M16, M17, M18, M19)	M5	-	ARPF303016AA
21	1721931PDG	UPPER TIE PLATE (M1, M2)	M6	-	ARPF303016BA
31	1722077PDG	LOWER ACCESS PANEL (M1, M2, M3, M4, M5, M6, M7, M8)	M7	-	ARPF363616AA
31	1722078PDG	LOWER ACCESS PANEL (M9, M10, M11, M12, M13, M14, M15, M16, M17, M18, M19)	M8	-	ARPF363616BA
41	1722079PDG	LOWER SERVICE PANEL (M1, M2)	M9	-	ARPF364216AA
41	1722080PDG	LOWER SERVICE PANEL (M3, M4, M5, M6, M7, M8)	M10	-	ARPF364216AB
41	1722081PDG	LOWER SERVICE PANEL (M9, M10, M11, M12, M13, M14, M15, M16, M17, M18, M19)	M11	-	ARPF364216AC
51	1722082PDG	UPPER ACCESS PANEL (M1, M2)	M12	-	ARPF364216BA
51	1722083PDG	UPPER ACCESS PANEL (M3, M4, M5, M6, M7, M8)	M13	-	ARPF364216CA
51	1722084PDG	UPPER ACCESS PANEL (M9, M10, M11, M12, M13, M14, M15, M16, M17, M18, M19)	M14	-	ARPF374316AA
61	1722085PDG	FILTER COVER (M1, M2)	M15	-	ARPF374316BA
61	1722087PDG	FILTER COVER LRG (M9, M10, M11, M12, M13, M14, M15, M16, M17, M18, M19)	M16	-	ARPF486016AA
61	1722086PDG	FILTER COVER MED (M3, M4, M5, M6, M7, M8)	M17	-	ARPF486016AB
101	0121A00016	BLOWER MOUNTING ANGLE (M3, M4, M9, M10)	M18	-	ARPF486016BA
101	0121A00027	BLOWER MOUNTING ANGLE (M1, M2, M5, M6, M7, M8, M14, M15, M16)	M19	-	ARPF496116AA
111	1717109	BLOWER MOUNTING ANGLE (M1, M2, M3, M4, M5, M6, M7, M8, M9, M14, M15, M16)			
231	B1796630	INLET TUBE FLOWRATOR (M1, M2, M3, M4, M5, M6, M7, M8, M9, M10, M11, M12, M14, M15, M16, M17, M18, M19)			
251	B1392641	PLASTIC CIRCUIT BREAKER INSERT			
261	0154A00000BL	DRAIN PAN GASKET (QTY 2)			
NS	1721918	BOTTOM TIE LRG (M9, M10, M11, M12, M13, M14, M15, M16, M17, M18, M19)			
NS	1721917	BOTTOM TIE MED (M3, M4, M5, M6, M7, M8)			
NS	1721916	BOTTOM TIE PLATE SML (M1, M2)			

Internal Components

Image 1



Internal Components

Ref. Part No:	No:	Description:	Ref. Part No:	No:	Description:
<i>Image 1:</i>			Expanded Model Nomenclature		
141	B1141643	TRANSFORMER 208/230, 24V	M1 -	ARPF182416AA	
151	PCBFM131	BOARD, ELECTRONIC BLOWER TIME DELAY RELAY	M2 -	ARPF182416BA	
171	0259A00001P	WIRE ASSY, 9-PIN FEMALE CONNECTOR (M1, M2)	M3 -	ARPF193116AA	
171	0259A00005P	WIRE ASSY, 9-PIN FEMALE CONNECTOR (M3, M4, M5, M6, M7, M8, M9, M10, M11, M12, M13, M14, M15, M16, M17, M18, M19)	M4 -	ARPF193116BA	
181	0259A00002P	WIRE ASSY, 9-PIN MALE CONNECTOR	M5 -	ARPF303016AA	
211	B1756021L	PLASTIC DRAIN PAN (HORIZONTAL) (M1, M2)	M6 -	ARPF303016BA	
211	B1756022L	PLASTIC DRAIN PAN (HORIZONTAL) (M3, M4, M5, M6, M7, M8)	M7 -	ARPF363616AA	
211	B1756028L	PLASTIC DRAIN PAN (HORIZONTAL) (M9, M10, M11, M12, M13, M14, M15, M16, M17, M18, M19)	M8 -	ARPF363616BA	
221	B1756017LA	DRAIN PAN MED (M3, M4, M7, M8)	M9 -	ARPF364216AA	
221	B1756013L	PLASTIC DRAIN PAN (VERTICAL) (M1, M2)	M10 -	ARPF364216AB	
221	B1756017L	PLASTIC DRAIN PAN (VERTICAL) (M5, M6)	M11 -	ARPF364216AC	
221	B1756020L	PLASTIC DRAIN PAN (VERTICAL) (M9, M10, M11, M12, M13, M14, M15, M16, M17, M18, M19)	M12 -	ARPF364216BA	
241	0202A00024S	COIL PAN ASSY (M3, M4)	M13 -	ARPF364216CA	
241	0202A00030S	COIL PAN ASSY (M7, M8)	M14 -	ARPF374316AA	
241	0270A00408S	COIL PAN ASSY (M13)	M15 -	ARPF374316BA	
241	1262401	COIL PAN ASSY (M1, M2)	M16 -	ARPF486016AA	
241	1262403	COIL PAN ASSY (M5, M6)	M17 -	ARPF486016AB	
241	1262404	COIL PAN ASSY (M9, M10, M11, M12)	M18 -	ARPF486016BA	
241	1262405	COIL PAN ASSY (M14, M15, M16, M17, M18, M19)	M19 -	ARPF496116AA	
251	B1796631	SEAL, TEFLON 20 IN A PACK (M1, M2, M3, M4, M5, M6, M7, M8, M9, M10, M11, M12, M14, M15, M16, M17, M18, M19)			
261	B1796632	ASSY, TEFLON SEAL AND NUT (M1, M2, M3, M4, M5, M6, M7, M8, M9, M10, M11, M12, M14, M15, M16, M17, M18, M19)			
NS	0162D00004P	FLOWRATOR .059 (M1)			
NS	0162D00028	FLOWRATOR .059 (M2)			
NS	0162D00005P	FLOWRATOR .065 (M5, M6)			
NS	0162D00021	FLOWRATOR .068 (M3)			
NS	0162D00031	FLOWRATOR .068 (M4)			
NS	0162D00023	FLOWRATOR .074 (M7)			
NS	0162D00032S	FLOWRATOR .074 (M8)			
NS	0162A00043	FLOWRATOR .078 (M13)			
NS	0162D00006P	FLOWRATOR .078 (M9, M10, M11, M12)			
NS	0162D00020	FLOWRATOR .078 (M14)			
NS	0162D00007P	FLOWRATOR .093 (M15, M16, M17, M19)			
NS	0162D00033S	FLOWRATOR .096 (M18)			

Blower Components

Image 1

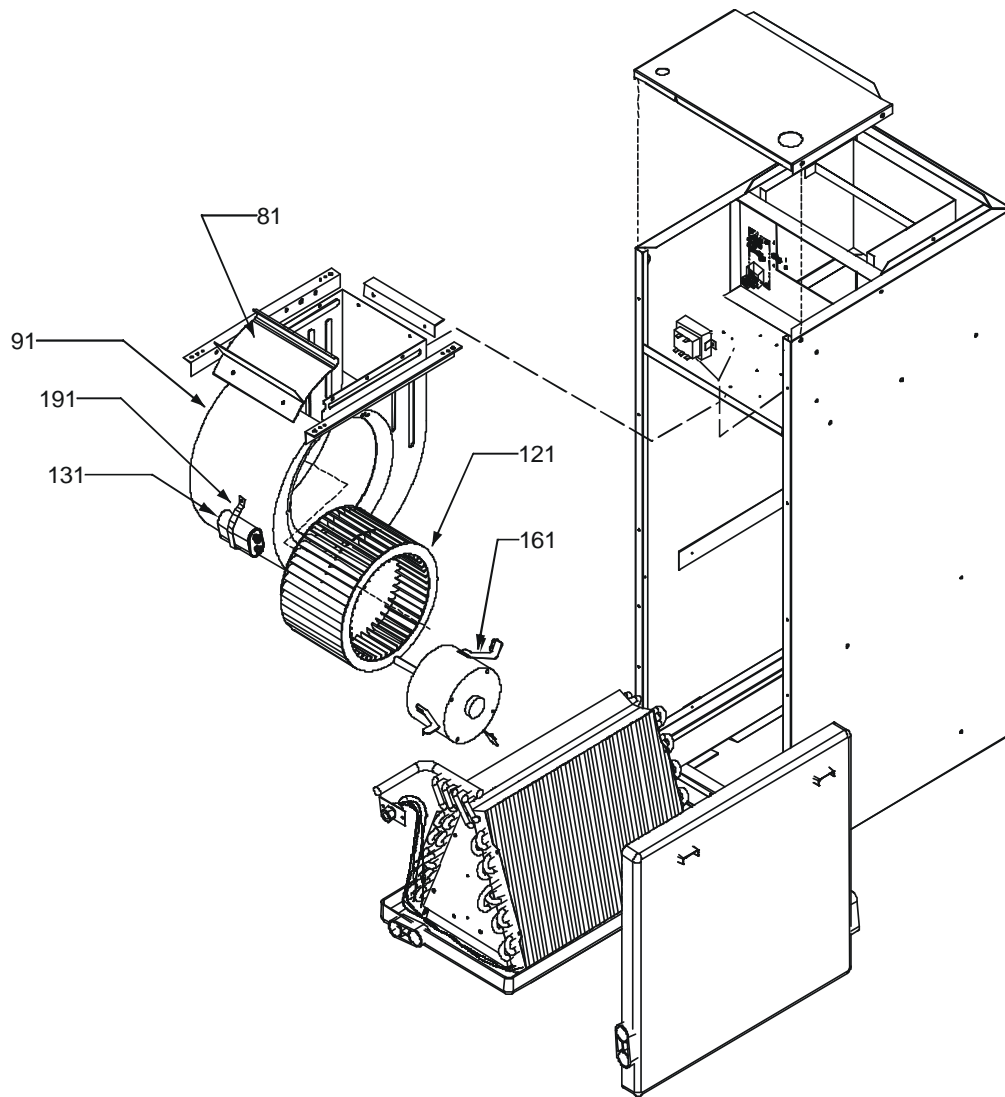
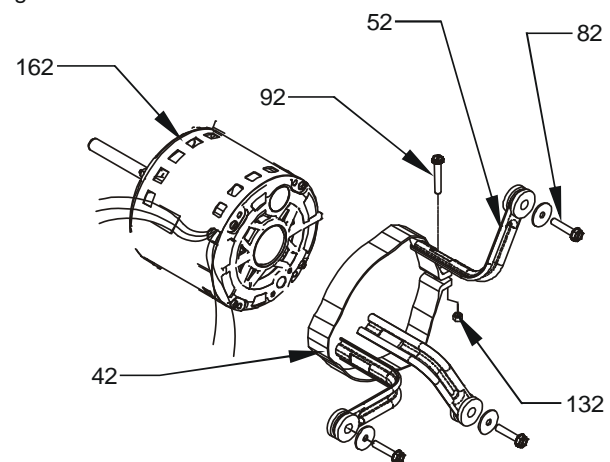


Image 2



Blower Components

Ref. Part No:	Ref. Part No:	Description:	Description:
---------------	---------------	--------------	--------------

Image 1:

81	764741F	BLOWER BLOCK-OFF 10 X 10 (M17, M18, M19)
81	764740F	BLOWER BLOCK-OFF 10 X 8 (M10, M11, M12, M13)
81	0270A00101S	BLOWER CUT-OFF (M14, M15)
81	764734F	BLOWER CUT-OFF (M5, M6, M7, M8)
81	764736	BLOWER CUT-OFF 10 X 8 (M9)
81	1824004	BLOWER CUT-OFF 11 & 10 X 10 (M16)
81	764733F	BLOWER CUT-OFF 9 X 6 (M1, M2, M3, M4)
91	0271A00016S	BLOWER HOUSING ASSY 10 X 10 (M16, M17, M18, M19)
91	0271A00029	BLOWER HOUSING ASSY 10 X 8 (M11, M12, M13)
91	5660205S	BLOWER HOUSING ASSY 10 X 8 (M9)
91	0271A00013S	BLOWER HOUSING ASSY 11 X 10 (M14, M15)
91	1439389S	BLOWER HOUSING ASSY 9 X 6 (M1, M2, M3, M4)
91	1839304S	BLOWER HOUSING ASSY 9 X 8 (M5, M6, M7, M8)
91	0271A00022	BLOWER SHELL ASSY 10X8 (M10)
121	D6723306S	BLOWER WHEEL (M16, M17, M18, M19)
121	D6723311S	BLOWER WHEEL (M14, M15)
121	B1368016S	BLOWER WHEEL 10 X 8 (M9, M10, M11, M12, M13)
121	0150M00000S	BLOWER WHEEL 9 X 6 (M1, M2)
121	B1368042S	BLOWER WHEEL 9 X 6 (M3, M4)
121	0150G00000P	BLOWER WHEEL 9 X 8 (M5, M6, M7, M8)
131	CAP100000370VAS	CAPACITOR 10/370V [BLOWER] (M1, M2, M3, M4, M5, M6, M7, M8)
131	CAP150000370VAS	CAPACITOR 15/370V (M9, M10, M11, M12, M13, M14, M15, M16, M17, M18, M19)
161	0131M00005PS	BLOWER MOTOR 1/3 HP, 3 SP, 6 PL (M1, M2)
161	11091203S	BLOWER MOTOR 1/3 HP, 3 SP, 6 PL (M5, M6, M7, M8)
161	11091207S	BLOWER MOTOR 1/4 HP, 3 SP, 8 PL (M3, M4)
191	1284835	CAPACITOR STRAP
NS	B821700	CAPACITOR BOOT (M9)

Image 2:

42	0121M00038	MOTOR MOUNT BAND (M9, M10, M11, M12, M13)
42	0121M00039	MOTOR MOUNT BAND (HEAVY DUTY) (M14, M15, M16, M17, M18, M19)
52	B1376853	MOTOR MOUNT ARM (M9, M10, M11, M12, M13)
52	B1376863	MOTOR MOUNT ARM (HEAVY DUTY) (M14, M15, M16, M17, M18, M19)
82	B1393322	MACHINE SCREW HWH 1/4-20 X 1-1/2 BZ (M9, M16)
82	B1393309	MACHINE SCREW, 1/4-20 TPI X 3/4" LG (M1, M2, M3, M4, M5, M6, M7, M8)
82	B1393527	SCREW, #14 X 1 1/2 (M14, M15)
82	M0250565	TC SCREW 1.25" (M10, M11, M12, M13, M17, M18, M19)
92	B1393323	MACHINE SCREW HWH 1/4-20 X 1-1/2 BZ (M9, M10, M11, M12, M13, M14, M15, M16, M17, M18, M19)

Image 2:

132	B1393800	LOCKNUT, NYLON, INSERT 1/4, 20 (M9, M10, M11, M12, M13, M14, M15, M16, M17, M18, M19)
162	11091204S	BLOWER MOTOR 1/2 HP, 3 SP, 8 PL (M9, M10, M11, M12, M13, M14, M15)
162	0131M00000PS	BLOWER MOTOR 3/4 HP, 3 SP, 6 PL (M16, M17, M18, M19)

Expanded Model Nomenclature

M1 - ARPF182416AA
M2 - ARPF182416BA
M3 - ARPF193116AA
M4 - ARPF193116BA
M5 - ARPF303016AA
M6 - ARPF303016BA
M7 - ARPF363616AA
M8 - ARPF363616BA
M9 - ARPF364216AA
M10 - ARPF364216AB
M11 - ARPF364216AC
M12 - ARPF364216BA
M13 - ARPF364216CA
M14 - ARPF374316AA
M15 - ARPF374316BA
M16 - ARPF486016AA
M17 - ARPF486016AB
M18 - ARPF486016BA
M19 - ARPF496116AA

THIS PAGE INTENTIONALLY LEFT BLANK