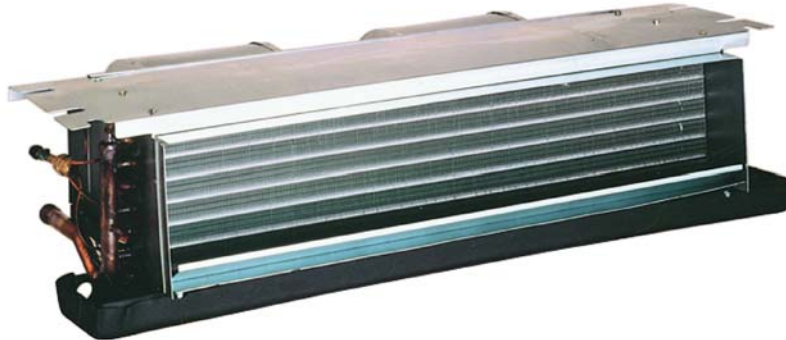


# REPAIR PARTS

---

## ACNF

ACNF180016DA  
ACNF180516DA  
ACNF180616DA  
ACNF180816DA  
ACNF240016DA  
ACNF240516DA  
ACNF240616DA  
ACNF240816DA  
ACNF241016DA  
ACNF300016DA  
ACNF300516DA  
ACNF300616DA  
ACNF300816DA  
ACNF301016DA



This manual is to be used by qualified technicians only.

© 2009 Goodman Manufacturing Company, L.P. ♦ 5151 San Felipe, Suite 500 ♦ Houston, TX 77056

# Important Information

---

## Index

Functional Parts List .....	3
Illustration and Parts .....	4 - 9

*Views shown are for parts illustrations only, not servicing procedures.*

This system uses R410A refrigerant. If sealed system work is required, use approved equipment and follow service procedures. Refer to Service Manual or Installation Instructions for service procedures.

### Text Codes:

AR - As Required

NA - Not Available

NS - Not Shown

00000000 - See Note

QTY - Quantity Example (QTY 3) (If Quantity not shown, Quantity = 1)

M - Model Example (M1) (If M Code not shown, then part is used on all Models)

### Expanded Model Nomenclature:

Example M1 - Model#1 M2 - Model#2 M3 - Model#3
---

Goodman Manufacturing Company, L.P. is not responsible for personal injury or property damage resulting from improper service. Review all service information before beginning repairs.

Warranty service must be performed by an authorized technician, using authorized factory parts. If service is required after the warranty expires, Goodman Manufacturing Company, L.P. also recommends contacting an authorized technician and using authorized factory parts.

Goodman Manufacturing Company, L.P. reserves the right to discontinue, or change at any time, specifications or designs without notice or without incurring obligations.

For assistance within the U.S.A. contact:  
Consumer Affairs Department  
Goodman Manufacturing Company, L.P.  
7401 Security Way  
Houston, Texas 77040  
877-254-4729-Telephone  
713-863-2382-Facsimile

For assistance outside the U.S.A. contact:  
International Division  
Goodman Manufacturing Company, L.P.  
7401 Security Way  
Houston, Texas 77040  
713-861-2500-Telephone  
713-863-2382-Facsimile

# Functional Parts

## Part

## No: Description:

---

CAP050000370VAS	CAPACITOR 5/370V
0175A00000	HEAT ELEMENT 4.8 KW (M2, M6, M11)
0175A00001	HEAT ELEMENT 6.0 KW (M3, M7, M12)
0175A00002	HEAT ELEMENT 7.3 KW (M4, M8, M13)
0175A00003	HEAT ELEMENT 9.8 KW (M9, M14)
BT1340015S	MOTOR, 1/4 HP, 2 SP, 4 PL (M5, M6, M7, M8, M9, M10, M11, M12, M13, M14)
BT1340014S	MOTOR, 1/8 HP, 2 SP, 4 PL (M1, M2, M3, M4)
PCBFM131S	PCB, TIME DELAY
BT1753510S	PULL OUT DISCONNECT
B1256551	SEQUENCER 5 KW (M2, M6, M11)
B1256552	SEQUENCER 8 - 10 KW (M3, M4, M7, M8, M9, M12, M13, M14)
B1141643	TRANSFORMER 208/230, 24V

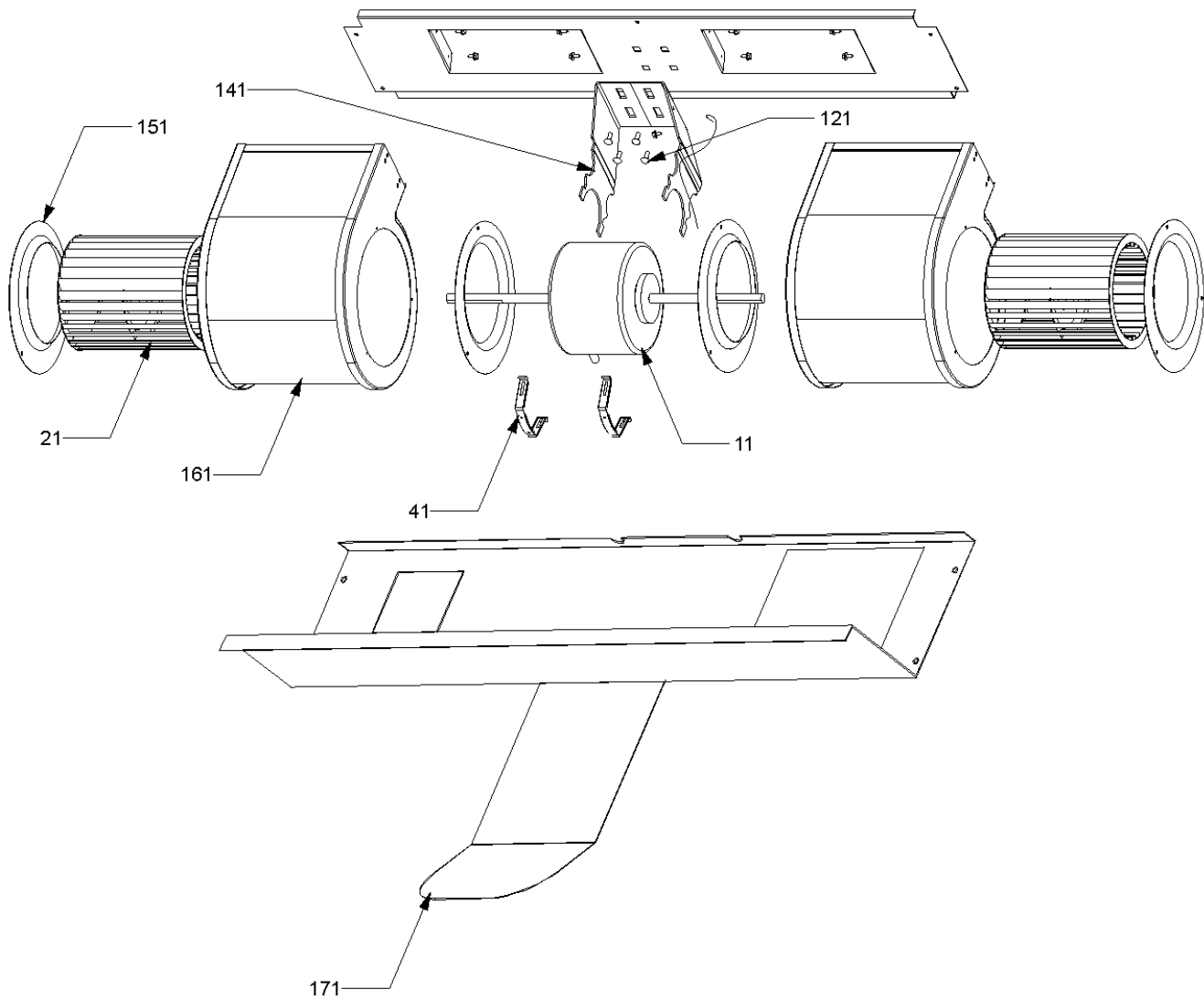
## SPECIAL PARTS

IO-282E	install instruct
PKC-01J	PISTON KIT CHART

## Expanded Model Nomenclature

M1 - ACNF180016DA
M2 - ACNF180516DA
M3 - ACNF180616DA
M4 - ACNF180816DA
M5 - ACNF240016DA
M6 - ACNF240516DA
M7 - ACNF240616DA
M8 - ACNF240816DA
M9 - ACNF241016DA
M10 - ACNF300016DA
M11 - ACNF300516DA
M12 - ACNF300616DA
M13 - ACNF300816DA
M14 - ACNF301016DA

# Blower Assembly



# Blower Assembly

Ref. Part No:	Part No:	Description:	Ref. Part No:	Part No:	Description:
---------------	----------	--------------	---------------	----------	--------------

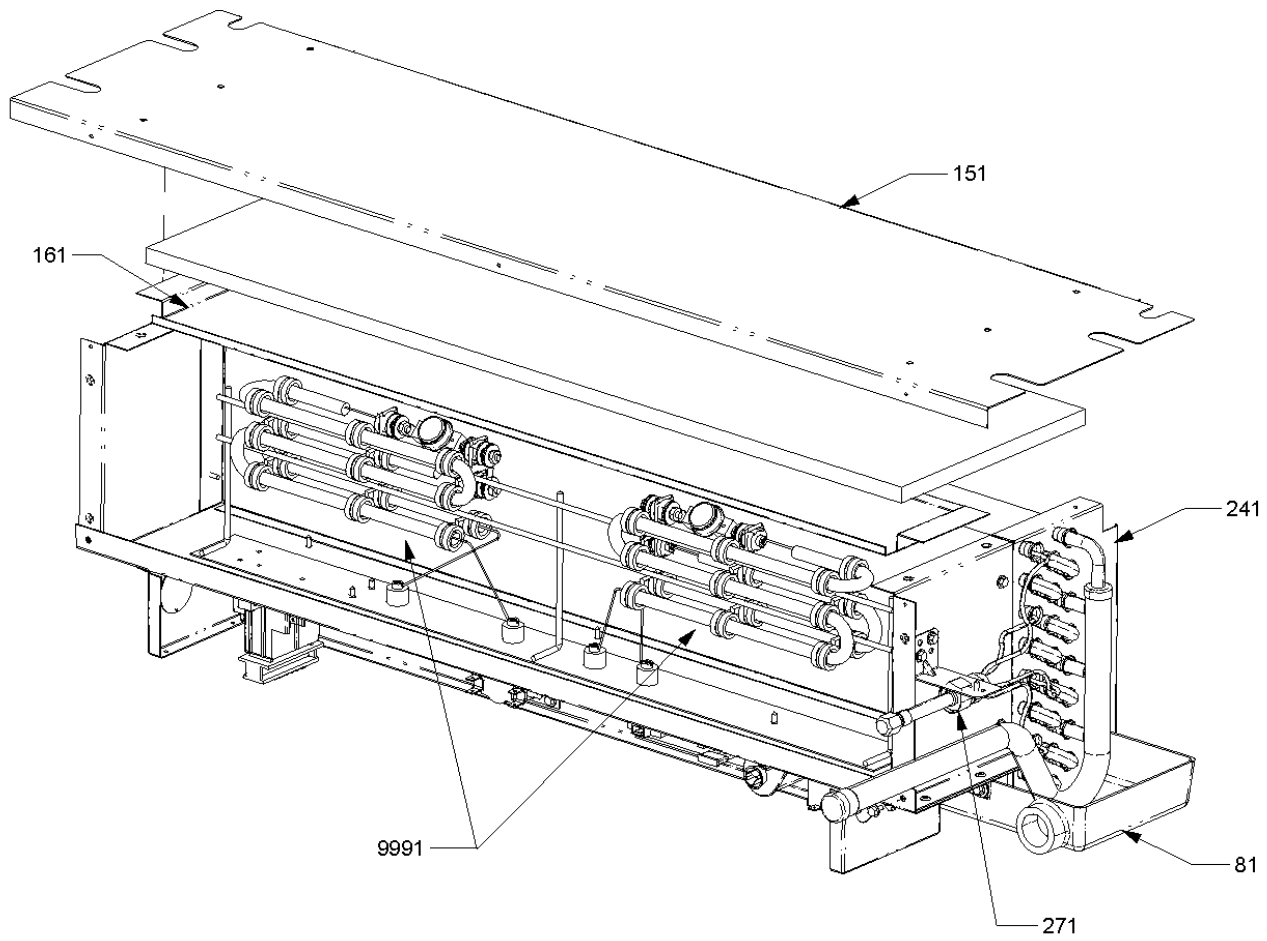
Image 1:

11	BT1340015S	MOTOR, 1/4 HP, 2 SP, 4 PL (M5, M6, M7, M8, M9, M10, M11, M12, M13, M14)
11	BT1340014S	MOTOR, 1/8 HP, 2 SP, 4 PL (M1, M2, M3, M4)
21	0150M00025	Blower Wheel 5.75 X 6.50 (M1, M2, M3, M4)
21	0150M00026	Blower Wheel 6.30 X 8.06 (M5, M6, M7, M8, M9)
21	0150M00027	Blower Wheel 6.70 X 8.06 (M10, M11, M12, M13, M14)
41	BT1392500	MOTOR MOUNT CLAMP (QTY 2)
141	3616000	MOTOR MOUNT BRACKET
151	3642001	VENTURI 0.5" (M5, M6, M7, M8, M9, M10, M11, M12, M13, M14)
161	3660200S	BLOWER HOUSING (M1, M2, M3, M4)
161	3660201S	BLOWER HOUSING (M5, M6, M7, M8, M9, M10, M11, M12, M13, M14)
171	3617000	MOTOR SHIELD

Expanded Model Nomenclature

M1 - ACNF180016DA
M2 - ACNF180516DA
M3 - ACNF180616DA
M4 - ACNF180816DA
M5 - ACNF240016DA
M6 - ACNF240516DA
M7 - ACNF240616DA
M8 - ACNF240816DA
M9 - ACNF241016DA
M10 - ACNF300016DA
M11 - ACNF300516DA
M12 - ACNF300616DA
M13 - ACNF300816DA
M14 - ACNF301016DA

# Coil/ Coil Pan/ Heater Assemblies



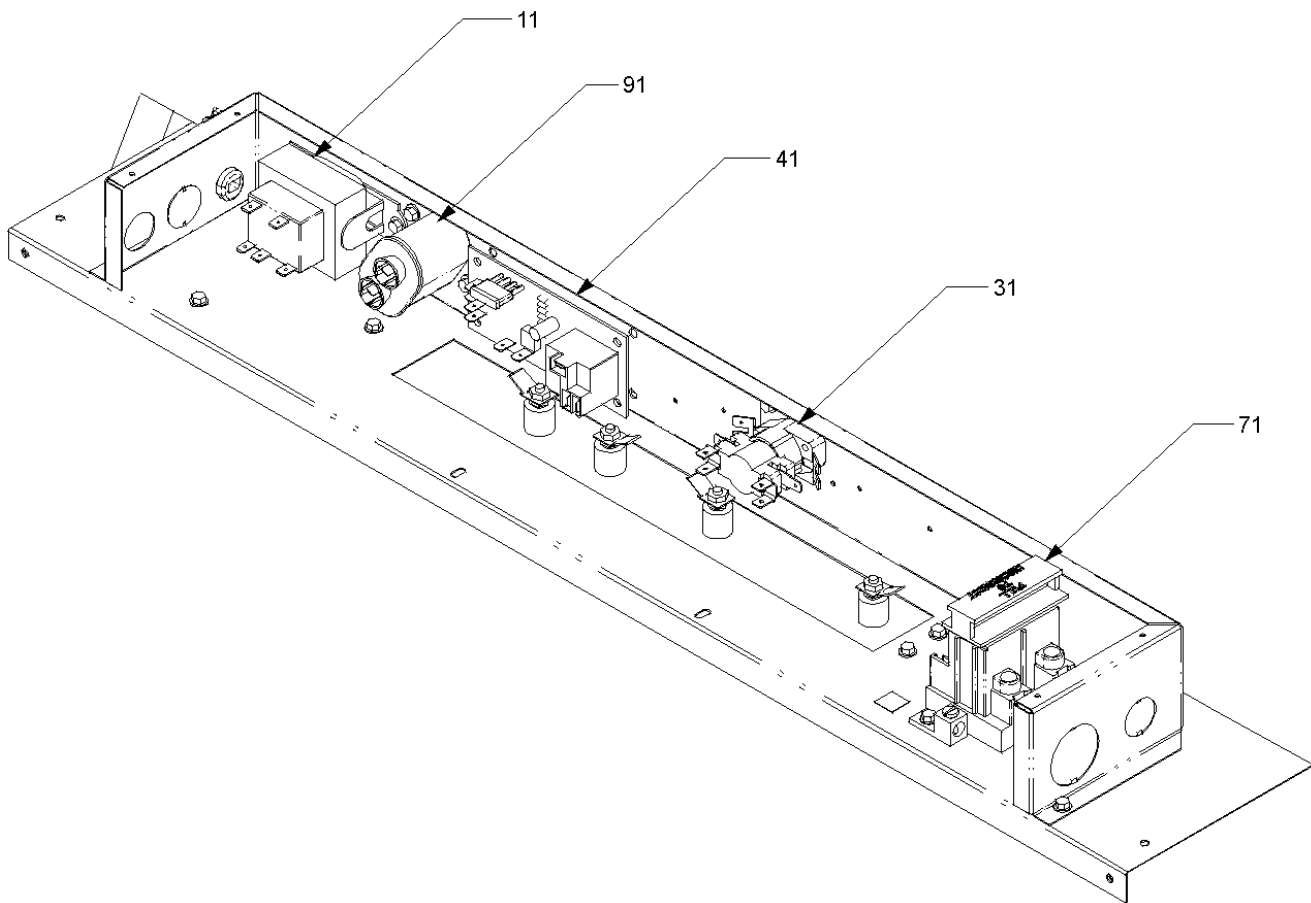
# Coil/ Coil Pan/ Heater Assemblies

Ref. Part No:	No:	Description:	Ref. Part No:	No:	Description:
<i>Image 1:</i>					
81	BT3076502DF	DRAINPAN, SML, FCA, ACHAC (M1, M2, M3, M4)			
81	BT3076504DF	DRAINPAN, SML, FCA, ACHAC (M10, M11, M12, M13, M14)			
81	BT3076503DF	DRAINPAN, SML, FCA, AHCAC (M5, M6, M7, M8, M9)			
151	3613000	EVAP TOP PANEL (M1, M2, M3, M4)			
151	3613001	EVAP TOP PANEL (M5, M6, M7, M8, M9)			
151	3613002	EVAP TOP PANEL (M10, M11, M12, M13, M14)			
161	3615000	EVAP COIL BLOCK-OFF (M1, M2, M3, M4)			
161	3615001	EVAP COIL BLOCK-OFF (M5, M6, M7, M8, M9)			
161	3615002	EVAP COIL BLOCK-OFF (M10, M11, M12, M13, M14)			
241	0270A00602S	COIL PAN ASSY (M1, M2, M3, M4)			
241	0270A00610S	COIL PAN ASSY (M5, M6, M7, M8, M9)			
241	0270A00622S	COIL PAN ASSY (M10, M11, M12, M13, M14)			
271	0162A00064	FLOWRATOR, AL (M1, M2, M3, M4)			
271	0162A00065	FLOWRATOR, AL (M5, M6, M7, M8, M9)			
271	0162A00066	FLOWRATOR, AL (M10, M11, M12, M13, M14)			
991	0175A00000	HEAT ELEMENT 4.8 KW (M2, M6, M11)			
9991	0175A00001	HEAT ELEMENT 6.0 KW (M3, M7, M12)			
9991	0175A00002	HEAT ELEMENT 7.3 KW (M4, M8, M13)			
9991	0175A00003	HEAT ELEMENT 9.8 KW (M9, M14)			
NS	B9102097	CAP W/O-RING			
NS	3630004S	EVAP SUPPORT ASSY MED (M5, M6, M7, M8, M9)			
NS	3630003S	EVAP SUPPORT ASSY SML (M1, M2, M3, M4)			
NS	B1787000	VALVE CORE			

## Expanded Model Nomenclature

M1 - ACNF180016DA
M2 - ACNF180516DA
M3 - ACNF180616DA
M4 - ACNF180816DA
M5 - ACNF240016DA
M6 - ACNF240516DA
M7 - ACNF240616DA
M8 - ACNF240816DA
M9 - ACNF241016DA
M10 - ACNF300016DA
M11 - ACNF300516DA
M12 - ACNF300616DA
M13 - ACNF300816DA
M14 - ACNF301016DA

# Control Box Assembly





# Control Box Assembly

Ref. Part No:	No:	Description:	Ref. Part No:	No:	Description:
---------------	-----	--------------	---------------	-----	--------------

---

Image 1:

11	B1141643	TRANSFORMER 208/230, 24V
31	B1256551	SEQUENCER 5 KW (M2, M6, M11)
31	B1256552	SEQUENCER 8 - 10 KW (M3, M4, M7, M8, M9, M12, M13, M14)
41	PCBFM131S	PCB, TIME DELAY
71	BT1753510S	PULL OUT DISCONNECT
91	CAP050000370VAS	CAPACITOR 5/370V
NS	3630007	MOUNTING BRACKET, CAPACITOR

Expanded Model Nomenclature

M1 - ACNF180016DA
M2 - ACNF180516DA
M3 - ACNF180616DA
M4 - ACNF180816DA
M5 - ACNF240016DA
M6 - ACNF240516DA
M7 - ACNF240616DA
M8 - ACNF240816DA
M9 - ACNF241016DA
M10 - ACNF300016DA
M11 - ACNF300516DA
M12 - ACNF300616DA
M13 - ACNF300816DA
M14 - ACNF301016DA

SHOWN UPSIDE DOWN FOR CLARITY