

REPAIR PARTS

MSG*1W Outdoor Remote Condensing and Heat Pump

MSG09CRN1W
MSG09HRN1W
MSG12CRN1W
MSG12HRN1W
MSG18CRN1W
MSG18HRN1W
MSG24CRN1W
MSG24HRN1W



Goodman Manufacturing Company, L.P.
5151 San Felipe, Suite 500
Houston, TX 77056

www.goodmanmfg.com www.amana-hac.com

RP-458
June 2007

Important Information

Index

Functional Parts List	3
Illustration and Parts	4 - 7

Views shown are for parts illustrations only, not servicing procedures.

Text Codes:

AR - As Required

NA - Not Available

NS - Not Shown

00000000 - See Note

QTY - Quantity Example (QTY 3) (If Quantity not shown, Quantity = 1)

M - Model Example (M1) (If M Code not shown, then part is used on all Models)

Expanded Model Nomenclature:

Example
M1 - Model#1
M2 - Model#2
M3 - Model#3

Goodman Manufacturing Company, L.P. is not responsible for personal injury or property damage resulting from improper service. Review all service information before beginning repairs.

Warranty service must be performed by an authorized technician, using authorized factory parts. If service is required after the warranty expires, Goodman Manufacturing Company, L.P. also recommends contacting an authorized technician and using authorized factory parts.

Goodman Manufacturing Company, L.P. reserves the right to discontinue, or change at any time, specifications or designs without notice or without incurring obligations.

For assistance within the U.S.A. contact:
Consumer Affairs Department
Goodman Manufacturing Company, L.P.
7401 Security Way
Houston, Texas 77040
877-254-4729-Telephone
713-863-2382-Facsimile

For assistance outside the U.S.A. contact:
International Division
Goodman Manufacturing Company, L.P.
7401 Security Way
Houston, Texas 77040
713-861-2500-Telephone
713-863-2382-Facsimile

Functional Parts

Part No:

Description:

Part No:	Description:	Part No:	Description:
2160100104	ACCUMULATOR (M7, M8)	2160072617	LOW PRESSURE VALVE (M6)
2240100602	CAPACITOR (COMPRESSOR) (M4)	2230145035	OVERCURRENT PROTECTOR (M5, M6, M7, M8)
2240100610	CAPACITOR (COMPRESSOR) (M2, M3)	2240219143	OVERCURRENT PROTECTOR (M1)
2240100751	CAPACITOR (COMPRESSOR) (M1)	2160069009	REVERSING VALVE (M4)
2240109012	CAPACITOR (COMPRESSOR) (M5, M6)	2160069011	REVERSING VALVE (M6, M8)
2240109017	CAPACITOR (COMPRESSOR) (M7, M8)	2163809085	REVERSING VALVE (M8)
2240110351	CAPACITOR (FAN MOTOR) (M5, M6)	2230090080	TRANSFORMER (M6, M7, M8)
2240110404	CAPACITOR (FAN MOTOR) (M7, M8)		
2240119010	CAPACITOR (FAN MOTOR) (M1)		
2240119014	CAPACITOR (FAN MOTOR) (M4)		
2240119019	CAPACITOR (FAN MOTOR) (M2, M3)		
2140063340	COMPRESSOR (M1)		
2140063510	COMPRESSOR (M7, M8)		
2140063360	COMPRESSOR (M2, M3, M4)		
2140063370	COMPRESSOR (M5, M6)		
2153529100	CONDENSER (M4)		
2153529110	CONDENSER (M2, M3)		
2153539008	CONDENSER (M5)		
2153549031	CONDENSER (M6)		
2153739002	CONDENSER (M1)		
2153809001	CONDENSER (M7)		
2153809003	CONDENSER (M8)		
2244050006	CONDENSER TEMPERATURE SENSOR (M4)		
2244120200	CONDENSER TEMPERATURE SENSOR (M6, M8)		
2230085004	CONTACTOR (M5, M6, M7, M8)		
2133549110	CONTROL BOARD (M6, M8)		
2133549111	CONTROL BOARD (M5, M7)		
2133759002	CONTROL BOARD (M4)		
2133739001	CONTROL BOARD (M2)		
201337590001	CONTROL BOARD (M3)		
2133529202	CONTROL BOARD (M1)		
2240040717	FAN MOTOR (M2, M3, M4)		
2240041715	FAN MOTOR (M5, M6)		
2240043113	FAN MOTOR (M7, M8)		
2240049020	FAN MOTOR (M1)		
2160074523	HIGH PRESSURE VALVE (M2, M3, M4)		
2160074297	HIGH PRESSURE VALVE (M7, M8)		
2160074522	HIGH PRESSURE VALVE (M1, M5, M6)		
2163789059	LOW PRESSURE VALVE (M5)		
2160072618	LOW PRESSURE VALVE (M2, M3, M4)		
2160072018	LOW PRESSURE VALVE (M1)		
2160072397	LOW PRESSURE VALVE (M7, M8)		

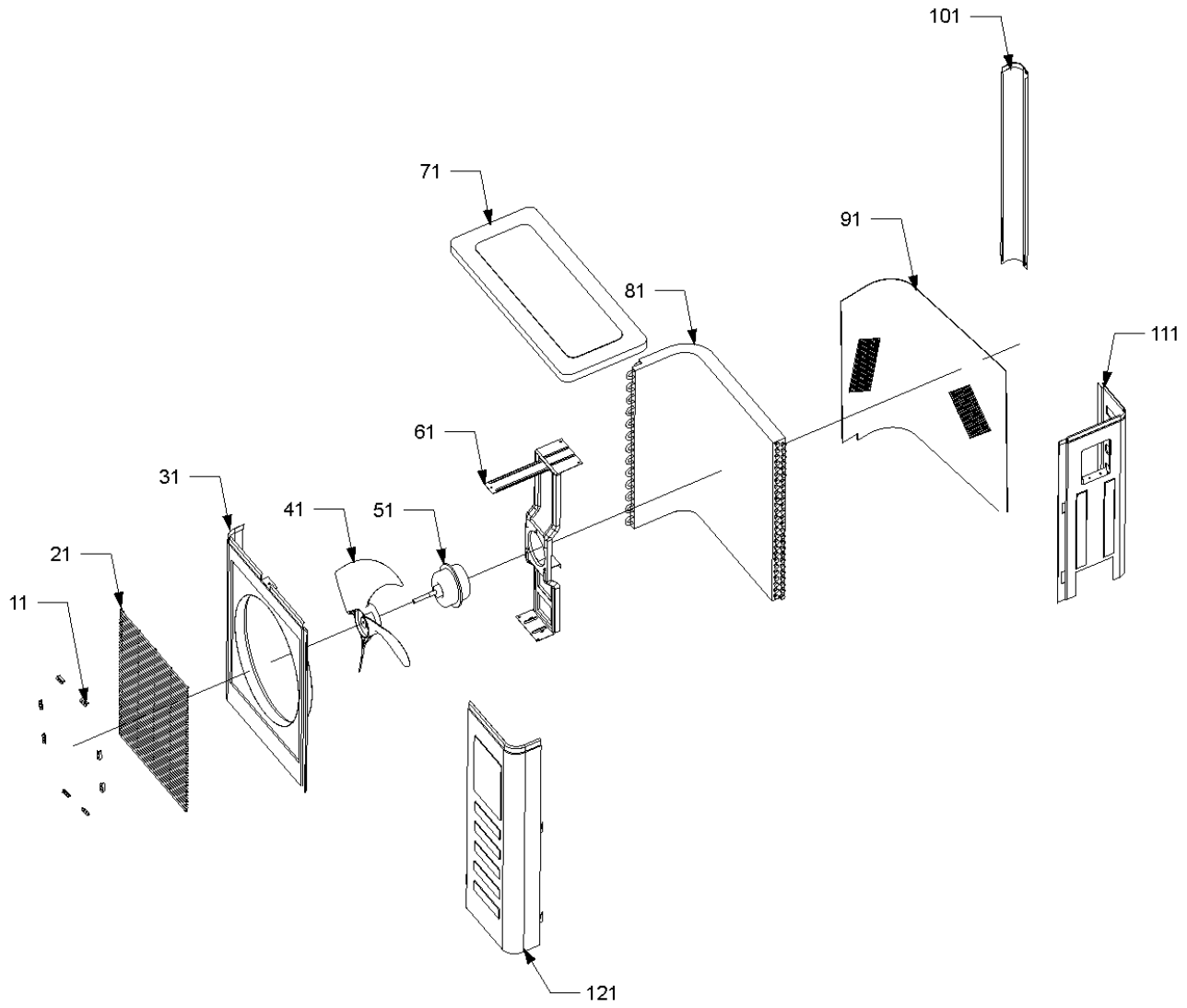
SPECIAL PARTS

RP-458 REPAIR PARTS MANUAL

Expanded Model Nomenclature

M1 - MSG09CRN1W
M2 - MSG09HRN1W
M3 - MSG12CRN1W
M4 - MSG12HRN1W
M5 - MSG18CRN1W
M6 - MSG18HRN1W
M7 - MSG24CRN1W
M8 - MSG24HRN1W

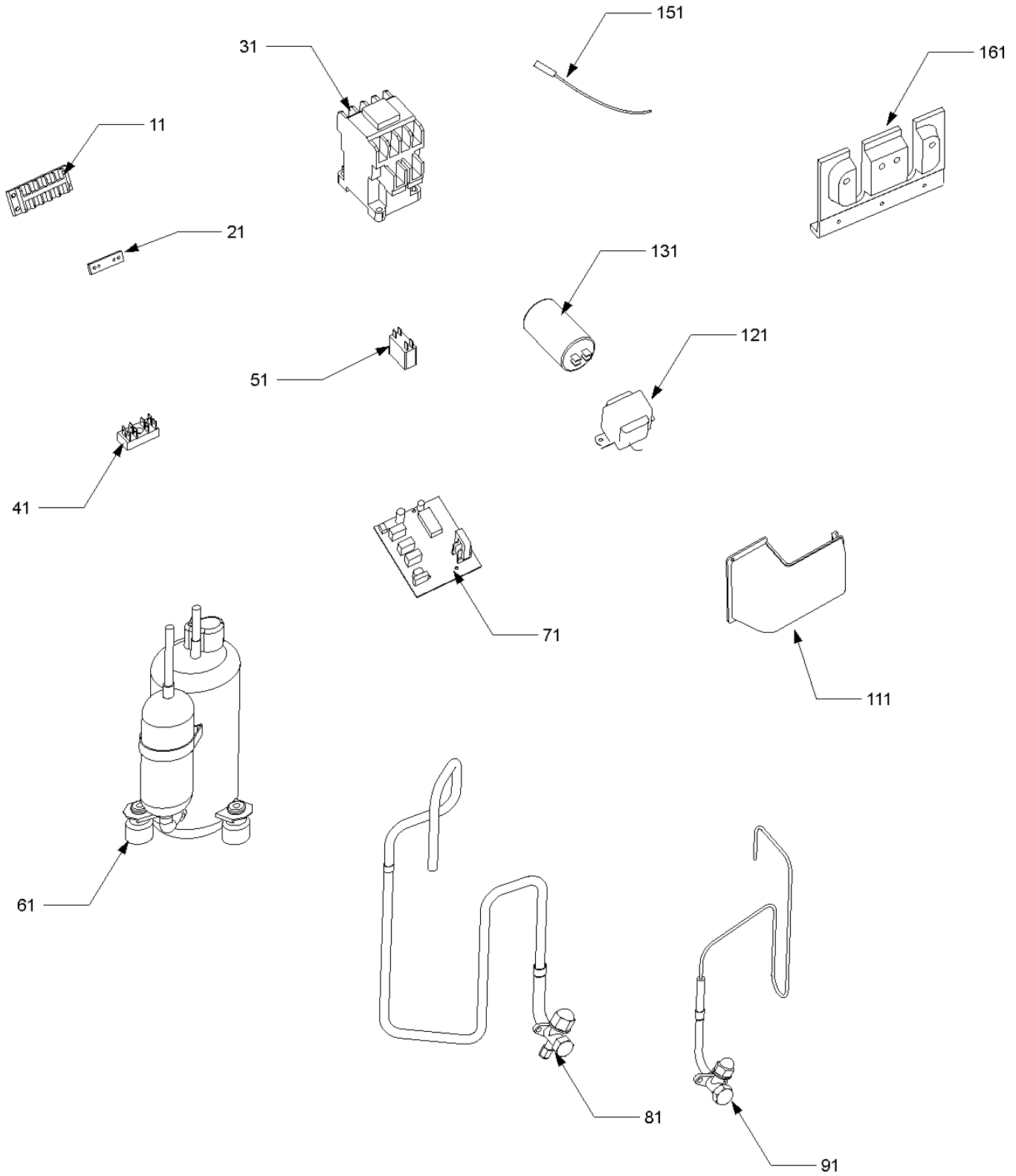
Unit Assembly



Unit Assembly

Ref. Part			Ref. Part										
No:	No:	Description:	No:	No:	Description:								
<i>Image 1:</i>			121	2124551101	RIGHT PANEL (M5, M6)								
11	2113511801	FRONT GRILLE CLAMPS (QTY AR)	Expanded Model Nomenclature										
21	2123510023	FRONT GRILLE (M1)	<table border="1"> <tr><td>M1 - MSG09CRN1W</td></tr> <tr><td>M2 - MSG09HRN1W</td></tr> <tr><td>M3 - MSG12CRN1W</td></tr> <tr><td>M4 - MSG12HRN1W</td></tr> <tr><td>M5 - MSG18CRN1W</td></tr> <tr><td>M6 - MSG18HRN1W</td></tr> <tr><td>M7 - MSG24CRN1W</td></tr> <tr><td>M8 - MSG24HRN1W</td></tr> </table>			M1 - MSG09CRN1W	M2 - MSG09HRN1W	M3 - MSG12CRN1W	M4 - MSG12HRN1W	M5 - MSG18CRN1W	M6 - MSG18HRN1W	M7 - MSG24CRN1W	M8 - MSG24HRN1W
M1 - MSG09CRN1W													
M2 - MSG09HRN1W													
M3 - MSG12CRN1W													
M4 - MSG12HRN1W													
M5 - MSG18CRN1W													
M6 - MSG18HRN1W													
M7 - MSG24CRN1W													
M8 - MSG24HRN1W													
21	2123510023	FRONT GRILLE (M2, M3, M4)											
21	2124550017	FRONT GRILLE (M5, M6, M7, M8)											
31	2123525264	FRONT PANEL (M1)											
31	2123527248	FRONT PANEL (M2, M3, M4)											
31	2124532937	FRONT PANEL (M7, M8)											
31	2124550037	FRONT PANEL (M5, M6)											
41	2110030202	FAN BLADE (M7, M8)											
41	2110030502	FAN BLADE (M1, M2, M3, M4)											
41	2114550002	FAN BLADE (M5, M6)											
51	2240040717	FAN MOTOR (M2, M3, M4)											
51	2240041715	FAN MOTOR (M5, M6)											
51	2240043113	FAN MOTOR (M7, M8)											
51	2240049020	FAN MOTOR (M1)											
61	2123525223	FAN BRACKET (M1)											
61	2123527232	FAN BRACKET (M2, M3)											
61	2123527263	FAN BRACKET (M4)											
61	2123549027	FAN BRACKET (M7, M8)											
61	2124550020	FAN BRACKET (M5, M6)											
71	2123525265	TOP COVER (M1)											
71	2123527249	TOP COVER (M2, M3, M4)											
71	2124532936	TOP COVER (M7, M8)											
71	2124550031	TOP COVER (M5, M6)											
81	2153529100	CONDENSER (M4)											
81	2153529110	CONDENSER (M2, M3)											
81	2153539008	CONDENSER (M5)											
81	2153549031	CONDENSER (M6)											
81	2153739002	CONDENSER (M1)											
81	2153809001	CONDENSER (M7)											
81	2153809003	CONDENSER (M8)											
91	2113522361	REAR GRILLE (M1)											
91	2113527206	REAR GRILLE (M2, M3)											
91	2113527207	REAR GRILLE (M4)											
91	2114532902	REAR GRILLE (M7, M8)											
91	2114550004	REAR GRILLE (M5, M6)											
101	2123527250	LEFT PANEL (M2, M3, M4)											
101	2124530063	LEFT PANEL (M7, M8)											
101	2124550032	LEFT PANEL (M5, M6)											
111	2123549046	REAR PANEL (M5, M6)											
111	2123549047	REAR PANEL (M7, M8)											
121	2123529218	RIGHT PANEL (M1)											
121	2123759003	RIGHT PANEL (M4)											
121	2124524051	RIGHT PANEL (M2, M3)											
121	2124532903	RIGHT PANEL (M7, M8)											

Unit Assembly



Unit Assembly

Ref. Part No:	No:	Description:	Ref. Part No:	No:	Description:
<i>Image 1:</i>			NS	2160032000	COPPER NUT TLM-A01 (M1, M2, M3, M4, M5, M6)
11	2230145099	TERMINAL BLOCK (M5, M6, M7, M8)	NS	2160032001	COPPER NUT TLM-B02 (M1, M7, M8)
11	2230145106	TERMINAL BLOCK (M1, M4)	NS	2160032002	COPPER NUT TLM-C03 (M5, M6)
11	2230145118	TERMINAL BLOCK (M2, M3)	NS	2160032003	COPPER NUT TLM-D04 (M7, M8)
21	2113500004	TERMINAL BLOCK WASHER	NS	2160069009	REVERSING VALVE (M4)
31	2230085004	CONTACTOR (M5, M6, M7, M8)	NS	2160069011	REVERSING VALVE (M6, M8)
51	2230090080	TRANSFORMER (M6, M7, M8)	NS	2163809085	REVERSING VALVE (M8)
61	2140063340	COMPRESSOR (M1)	Expanded Model Nomenclature		
61	2140063360	COMPRESSOR (M2, M3, M4)	M1 - MSG09CRN1W		
61	2140063370	COMPRESSOR (M5, M6)	M2 - MSG09HRN1W		
61	2140063510	COMPRESSOR (M7, M8)	M3 - MSG12CRN1W		
71	201337590001	CONTROL BOARD (M3)	M4 - MSG12HRN1W		
71	2133529202	CONTROL BOARD (M1)	M5 - MSG18CRN1W		
71	2133549110	CONTROL BOARD (M6, M8)	M6 - MSG18HRN1W		
71	2133549111	CONTROL BOARD (M5, M7)	M7 - MSG24CRN1W		
71	2133739001	CONTROL BOARD (M2)	M8 - MSG24HRN1W		
71	2133759002	CONTROL BOARD (M4)			
81	2160072018	LOW PRESSURE VALVE (M1)			
81	2160072397	LOW PRESSURE VALVE (M7, M8)			
81	2160072617	LOW PRESSURE VALVE (M6)			
81	2160072618	LOW PRESSURE VALVE (M2, M3, M4)			
81	2163789059	LOW PRESSURE VALVE (M5)			
91	2160074297	HIGH PRESSURE VALVE (M7, M8)			
91	2160074522	HIGH PRESSURE VALVE (M1, M5, M6)			
91	2160074523	HIGH PRESSURE VALVE (M2, M3, M4)			
111	2113527201	DRAIN PAN (M2, M3, M4)			
111	2113529005	DRAIN PAN (M1, M5, M6)			
111	2113549001	DRAIN PAN (M7, M8)			
121	2240110351	CAPACITOR (FAN MOTOR) (M5, M6)			
121	2240110404	CAPACITOR (FAN MOTOR) (M7, M8)			
121	2240119010	CAPACITOR (FAN MOTOR) (M1)			
121	2240119014	CAPACITOR (FAN MOTOR) (M4)			
121	2240119019	CAPACITOR (FAN MOTOR) (M2, M3)			
131	2240100602	CAPACITOR (COMPRESSOR) (M4)			
131	2240100610	CAPACITOR (COMPRESSOR) (M2, M3)			
131	2240100751	CAPACITOR (COMPRESSOR) (M1)			
131	2240109012	CAPACITOR (COMPRESSOR) (M5, M6)			
131	2240109017	CAPACITOR (COMPRESSOR) (M7, M8)			
151	2244050006	CONDENSER TEMPERATURE SENSOR (M4)			
151	2244120200	CONDENSER TEMPERATURE SENSOR (M6, M8)			
151	2230145035	OVERCURRENT PROTECTOR (M5, M6, M7, M8)			
151	2240219143	OVERCURRENT PROTECTOR (M1)			
161	2123500018	VALVE PLATE (M1, M5, M6)			
161	2123512614	VALVE PLATE (M2, M3, M4)			
161	2124537923	VALVE PLATE (M7, M8)			
NS	2160100104	ACCUMULATOR (M7, M8)			

