

REPAIR PARTS

MSG*1N Indoor Remote Cooling/Heat Pump Units

MSG09CRN1N
MSG09CWN1N
MSG09HRN1N
MSG09HWN1N
MSG12CRN1N
MSG12CWN1N
MSG12HRN1N
MSG12HWN1N
MSG18CRN1N
MSG18CWN1N
MSG18HRN1N
MSG18HWN1N
MSG24CRN1N
MSG24CWN1N
MSG24HRN1N
MSG24HWN1N



This manual is to be used by qualified technicians only.

This manual replaces manual RP-457

© 2007, 2010 Goodman Manufacturing Company, L.P. ♦ 5151 San Felipe, Suite 500 ♦ Houston, TX 77056

Important Information

Index

Functional Parts List	3
Illustration and Parts	4 - 11

Views shown are for parts illustrations only, not servicing procedures.

Revision A: Added MSG***WN1N models with white front

Text Codes:

AR - As Required

NA - Not Available

NS - Not Shown

00000000 - See Note

QTY - Quantity Example (QTY 3) (If Quantity not shown, Quantity = 1)

M - Model Example (M1) (If M Code not shown, then part is used on all Models)

Expanded Model Nomenclature:

Example M1 - Model#1 M2 - Model#2 M3 - Model#3

Goodman Manufacturing Company, L.P. is not responsible for personal injury or property damage resulting from improper service. Review all service information before beginning repairs.

Warranty service must be performed by an authorized technician, using authorized factory parts. If service is required after the warranty expires, Goodman Manufacturing Company, L.P. also recommends contacting an authorized technician and using authorized factory parts.

Goodman Manufacturing Company, L.P. reserves the right to discontinue, or change at any time, specifications or designs without notice or without incurring obligations.

For assistance within the U.S.A. contact:
Consumer Affairs Department
Goodman Manufacturing Company, L.P.
7401 Security Way
Houston, Texas 77040
877-254-4729-Telephone
713-863-2382-Facsimile

For assistance outside the U.S.A. contact:
International Division
Goodman Manufacturing Company, L.P.
7401 Security Way
Houston, Texas 77040
713-861-2500-Telephone
713-863-2382-Facsimile

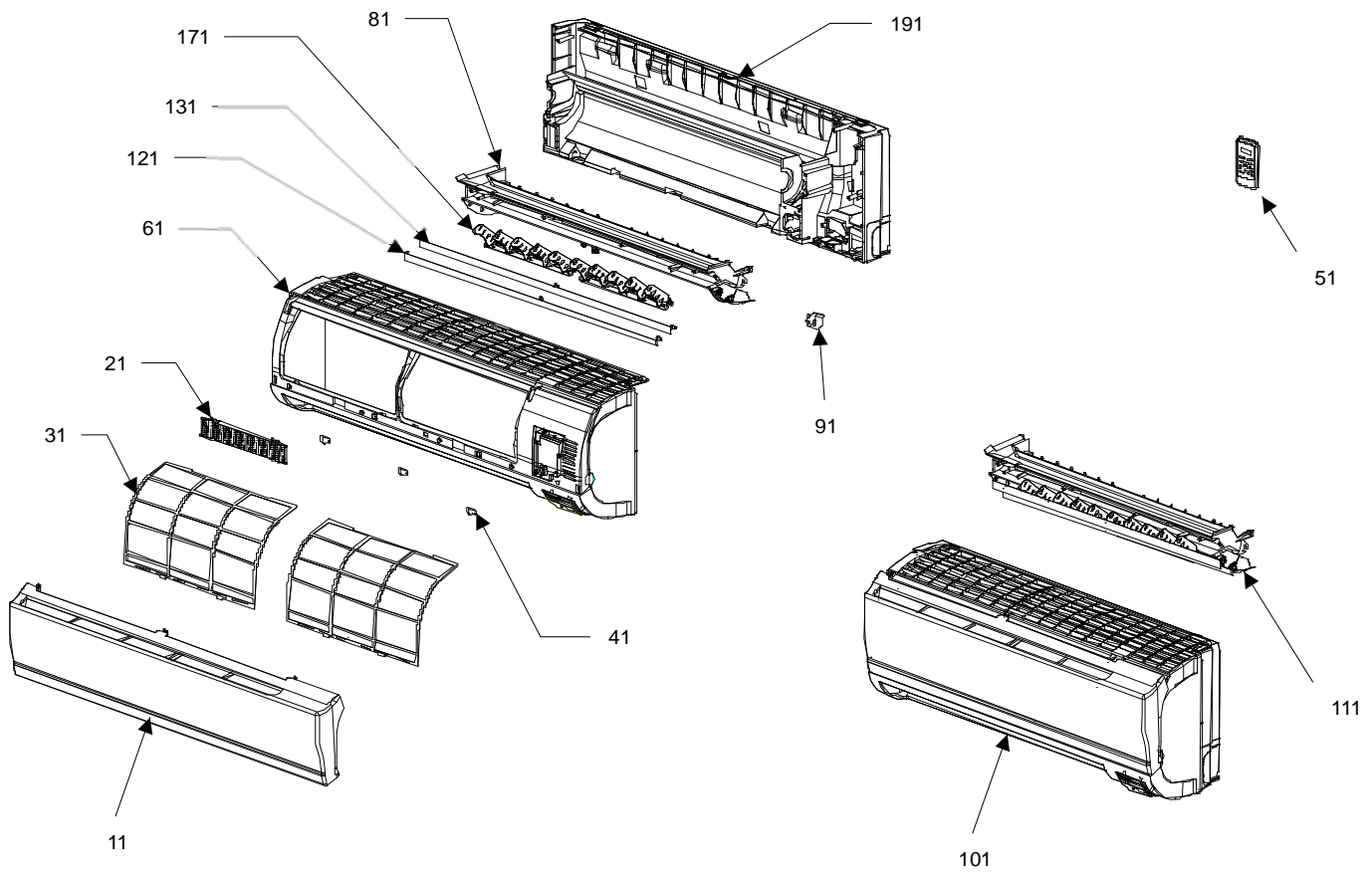
Functional Parts

Part No:

Description:

2110020008	ASSY, CROSS FLOW FAN (M1, M3)	2240020033	LOUVER MOTOR (M7)																
2110029011	ASSY, CROSS FLOW FAN (M9, M11, M13, M15)	2240010022	LOUVER MOTOR (M5)																
2113101401	ASSY, CROSS FLOW FAN (M5, M7)	2240020007	LOUVER MOTOR (M9, M11, M13, M15)																
201100290011	ASSY, CROSS FLOW FAN (M10, M12, M14, M16)	2240020012	LOUVER MOTOR (M1, M3)																
201131010401	ASSY, CROSS FLOW FAN (M6, M8)	2130073958	PROGRAM CHIP (M3)																
201100200008	ASSY, CROSS FLOW FAN (M2, M4)	2130073954	PROGRAM CHIP (M7)																
201332590314	CONTROL BOARD (M6)	201300730882	PROGRAM CHIP (M1)																
2133309013	CONTROL BOARD (M15)	201300730951	PROGRAM CHIP (M5)																
2133259020	CONTROL BOARD (M7)	2335509135	REMOTE CONTROLLER (M3, M7)																
2133309011	CONTROL BOARD (M13)	2335509136	REMOTE CONTROLLER (M1, M5)																
201332590315	CONTROL BOARD (M8)	203355091256	REMOTE CONTROLLER (M2, M6)																
2013328900002	CONTROL BOARD (M12)	2335509136	REMOTE CONTROLLER (M9, M13)																
201332890001	CONTROL BOARD (M10)	2335509135	REMOTE CONTROLLER (M11, M15)																
201333090011	CONTROL BOARD (M14)	203355091256	REMOTE CONTROLLER (M10, M14)																
2133139081	CONTROL BOARD (M1)	203355091255	REMOTE CONTROLLER (M12, M16)																
2133289001	CONTROL BOARD (M9)	203355091255	REMOTE CONTROLLER (M4, M8)																
2133259011	CONTROL BOARD (M5)	2133259009	SWITCH BOARD (M5, M7)																
2133239032	CONTROL BOARD (M3)	201332590009	SWITCH BOARD (M6, M8)																
201333090013	CONTROL BOARD (M16)	2230099007	TRANSFORMER (M9, M11)																
2133289002	CONTROL BOARD (M11)	202300900551	TRANSFORMER (M10, M12)																
	CONTROL BOARD (M4)	202300900534	TRANSFORMER (M14, M16)																
	CONTROL BOARD (M2)	2230099003	TRANSFORMER (M13, M15)																
202301300080	EVAPORATOR TEMP SENSOR (M6, M8, M10, M12, M14, M16)	SPECIAL PARTS																	
2243069051	EVAPORATOR TEMP SENSOR (M5, M7, M9, M11, M13, M15)	RP-457A	REPAIR PARTS MANUAL																
	FAN MOTOR (M2, M4)	Expanded Model Nomenclature																	
2240041650	FAN MOTOR (M13, M15)	<table border="1"> <tbody> <tr><td>M1 - MSG09CRN1N</td></tr> <tr><td>M2 - MSG09CWN1N</td></tr> <tr><td>M3 - MSG09HRN1N</td></tr> <tr><td>M4 - MSG09HWN1N</td></tr> <tr><td>M5 - MSG12CRN1N</td></tr> <tr><td>M6 - MSG12CWN1N</td></tr> <tr><td>M7 - MSG12HRN1N</td></tr> <tr><td>M8 - MSG12HWN1N</td></tr> <tr><td>M9 - MSG18CRN1N</td></tr> <tr><td>M10 - MSG18CWN1N</td></tr> <tr><td>M11 - MSG18HRN1N</td></tr> <tr><td>M12 - MSG18HWN1N</td></tr> <tr><td>M13 - MSG24CRN1N</td></tr> <tr><td>M14 - MSG24CWN1N</td></tr> <tr><td>M15 - MSG24HRN1N</td></tr> <tr><td>M16 - MSG24HWN1N</td></tr> </tbody> </table>		M1 - MSG09CRN1N	M2 - MSG09CWN1N	M3 - MSG09HRN1N	M4 - MSG09HWN1N	M5 - MSG12CRN1N	M6 - MSG12CWN1N	M7 - MSG12HRN1N	M8 - MSG12HWN1N	M9 - MSG18CRN1N	M10 - MSG18CWN1N	M11 - MSG18HRN1N	M12 - MSG18HWN1N	M13 - MSG24CRN1N	M14 - MSG24CWN1N	M15 - MSG24HRN1N	M16 - MSG24HWN1N
M1 - MSG09CRN1N																			
M2 - MSG09CWN1N																			
M3 - MSG09HRN1N																			
M4 - MSG09HWN1N																			
M5 - MSG12CRN1N																			
M6 - MSG12CWN1N																			
M7 - MSG12HRN1N																			
M8 - MSG12HWN1N																			
M9 - MSG18CRN1N																			
M10 - MSG18CWN1N																			
M11 - MSG18HRN1N																			
M12 - MSG18HWN1N																			
M13 - MSG24CRN1N																			
M14 - MSG24CWN1N																			
M15 - MSG24HRN1N																			
M16 - MSG24HWN1N																			
2240040617	FAN MOTOR (M9, M11)																		
202400400623	FAN MOTOR (M10, M12)																		
202400300011	FAN MOTOR (M6, M8)																		
2240030008	FAN MOTOR (M1, M3)																		
2240030011	FAN MOTOR (M5, M7)																		
202400410650	FAN MOTOR (M14, M16)																		
202433190000	INDOOR TEMP SENSOR (M10, M12)																		
2243069052	INDOOR TEMP SENSOR (M5, M7, M11, M13, M15)																		
2243079040	INDOOR TEMP SENSOR (M9)																		
202432390005	INDOOR TEMP SENSOR (M6, M8, M14, M16)																		
202400200012	LOUVER MOTOR (M2, M4)																		
202400100022	LOUVER MOTOR (M6, M8)																		
202400200007	LOUVER MOTOR (M10, M12, M14, M16)																		

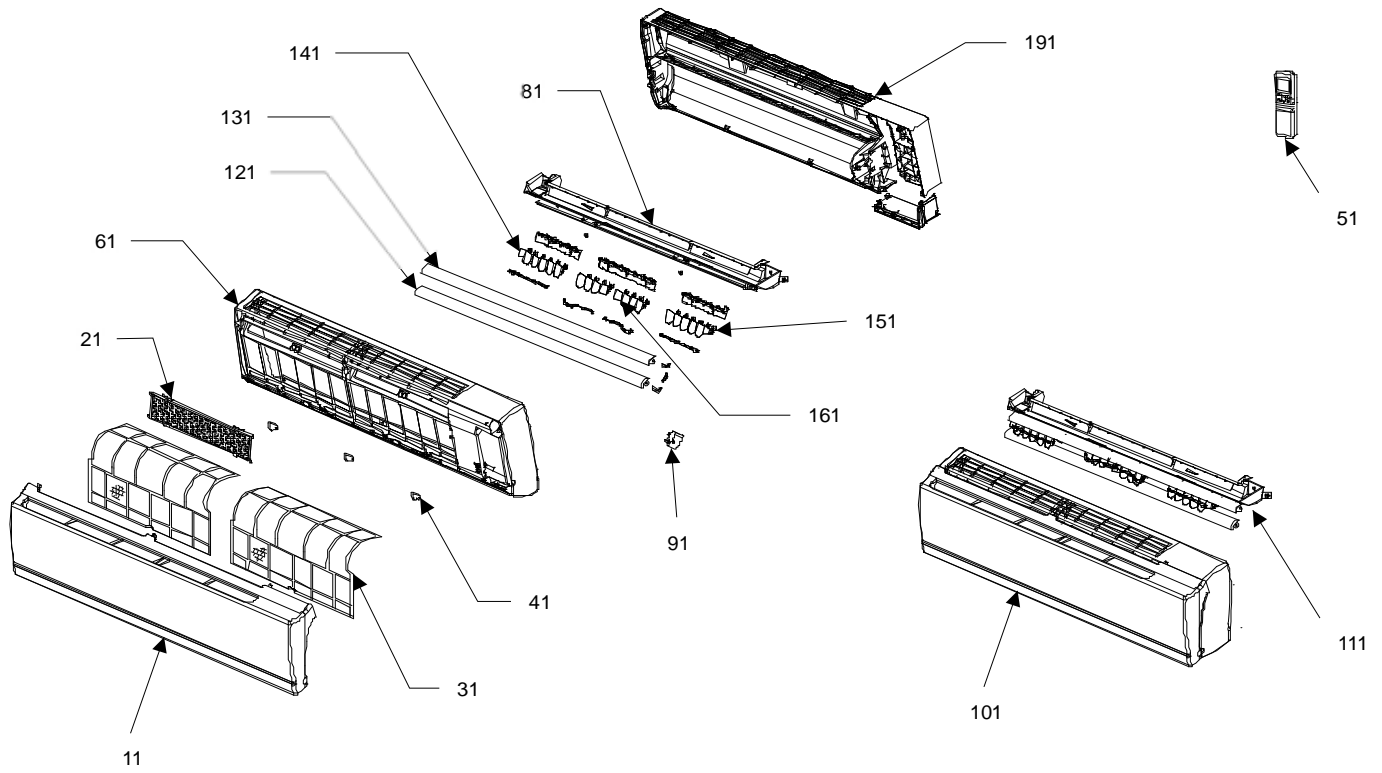
Front Assembly



Front Assembly

Ref. Part No:	Description:	Ref. Part No:	Description:
<i>Image 1:</i>		<i>Image 1:</i>	
11	FRONT PANEL (M2, M4)	191 P0000624791	CHASSIS (M6, M8)
11 2011328A0287	FRONT PANEL (M6)	NS 2113020726	LEFT COVER, CHASSIS (M5)
11 2011328A0288	FRONT PANEL (M8)	NS 2113132310	RECEIVER WINDOW (M1, M3)
11 2113132307	FRONT PANEL (M1, M3)	Expanded Model Nomenclature	
11 2113139942	FRONT PANEL (M5, M7)	<div style="border: 1px solid black; padding: 5px;"> M1 - MSG09CRN1N M2 - MSG09CWN1N M3 - MSG09HRN1N M4 - MSG09HWN1N M5 - MSG12CRN1N M6 - MSG12CWN1N M7 - MSG12HRN1N M8 - MSG12HWN1N M9 - MSG18CRN1N M10 - MSG18CWN1N M11 - MSG18HRN1N M12 - MSG18HWN1N M13 - MSG24CRN1N M14 - MSG24CWN1N M15 - MSG24HRN1N M16 - MSG24HWN1N </div>	
21 201130100212	AIR CLEANER (M2, M4, M6, M8)		
21 2113010212	AIR CLEANER (M1, M3, M5, M7)		
31 201131010402	AIR FILTER (M6, M8)		
31 201131320312	AIR FILTER (M2, M4)		
31 2113101402	AIR FILTER (M5, M7)		
31 2113132312	AIR FILTER (M1, M3)		
41 2113132323	ACORN NUT (M1, M3)		
51 203355091255	REMOTE CONTROLLER (M4, M8)		
51 203355091256	REMOTE CONTROLLER (M2, M6)		
51 2335509135	REMOTE CONTROLLER (M3, M7)		
51 2335509136	REMOTE CONTROLLER (M1, M5)		
61	FRAME PANEL (M2, M4)		
61 2113020721	FRAME PANEL (M5, M7)		
61 2113132315	FRAME PANEL (M1, M3)		
61 P0000628928	FRAME PANEL (M6, M8)		
81	AIR OUT FRAME (M2, M4)		
81 201132800119	AIR OUT FRAME (M6, M8)		
81 2113020725	AIR OUT FRAME (M5, M7)		
81 2113132334	AIR OUT FRAME (M1, M3)		
91 202400100022	LOUVER MOTOR (M6, M8)		
91 202400200012	LOUVER MOTOR (M2, M4)		
91 2240010022	LOUVER MOTOR (M5)		
91 2240020012	LOUVER MOTOR (M1, M3)		
91 2240020033	LOUVER MOTOR (M7)		
121	HORIZONTAL LOUVER (M2, M4)		
121 201132800132	HORIZONTAL LOUVER (M6, M8)		
121 2113020724	HORIZONTAL LOUVER (M5, M7)		
121 2113132335	HORIZONTAL LOUVER (M1, M3)		
131 201132800131	HORIZONTAL LOUVER (M6, M8)		
131 2113020723	HORIZONTAL LOUVER (M5, M7)		
171	VERTICAL LOUVER (M2, M4)		
171 201130200730	VERTICAL LOUVER (M5, M7)		
171 201132800083	VERTICAL LOUVER (M6, M8)		
171 2113132336	VERTICAL LOUVER (M1, M3)		
191	CHASSIS (M4)		
191	CHASSIS (M2)		
191 2113020728	CHASSIS (M5, M7)		
191 2113132302	CHASSIS (M1)		
191 2113132329	CHASSIS (M3)		

Front Assembly



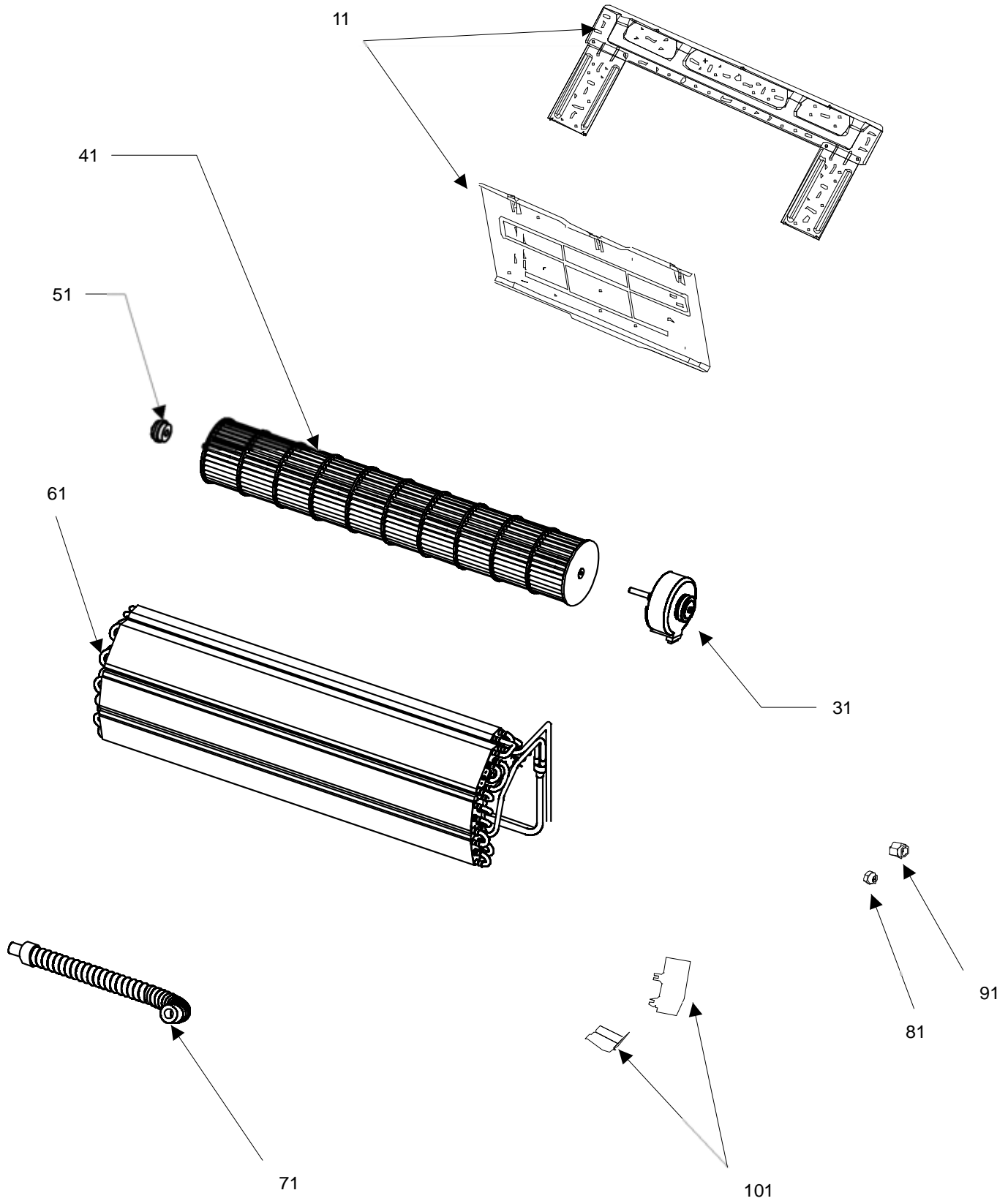
Front Assembly

Ref. Part No:	No:	Description:	Ref. Part No:	No:	Description:
<i>Image 1:</i>					
11	2113079365	FRONT PANEL (M9, M11, M13, M15)			
21	201130790130	AIR CLEANER (M10, M12, M14, M16)			
21	2113079130	AIR CLEANER (M9, M11, M13, M15)			
31	201130790121	AIR FILTER (M10, M12, M14, M16)			
31	2113079121	AIR FILTER (M9, M11, M13, M15)			
41	2113079131	ACORN NUT (M9, M11, M13, M15)			
51	203355091255	REMOTE CONTROLLER (M12, M16)			
51	203355091256	REMOTE CONTROLLER (M10, M14)			
51	2335509135	REMOTE CONTROLLER (M11, M15)			
51	2335509136	REMOTE CONTROLLER (M9, M13)			
61	2113079368	FRAME PANEL (M9, M11, M13, M15)			
81	2113079378	AIR OUT FRAME (M9, M11, M13, M15)			
91	202400200007	LOUVER MOTOR (M10, M12, M14, M16)			
91	2240020007	LOUVER MOTOR (M9, M11, M13, M15)			
101	201133190147	FRONT PANEL & FRAME PANEL ASSY (M10, M12, M14, M16)			
111	201133190131	ASSY, AIR OUT FRAME (M10, M12, M14, M16)			
111	2113079134	ASSY, AIR OUT FRAME (M9, M11, M13, M15)			
121	2113079369	HORIZONTAL LOUVER (M9, M11, M13, M15)			
131	2113079371	HORIZONTAL LOUVER (M9, M11, M13, M15)			
141	2113079374	VERTICAL LOUVER SML (M9, M11, M13, M15)			
151	2113079375	VERTICAL LOUVER LRG (M9, M11, M13, M15)			
161	2113079385	VERTICAL LOUVER MED (M9, M11, M13, M15)			
191	201133190132	CHASSIS (M10, M12, M14, M16)			
191	2113079389	CHASSIS (M9, M11, M13, M15)			
NS	2113079379	LEFT REAR COVER (CHASSIS) (M9, M11, M13, M15)			
NS	2113079380	RIGHT REAR COVER (CHASSIS) (M9, M11, M13, M15)			

Expanded Model Nomenclature

- | |
|------------------|
| M1 - MSG09CRN1N |
| M2 - MSG09CWN1N |
| M3 - MSG09HRN1N |
| M4 - MSG09HWN1N |
| M5 - MSG12CRN1N |
| M6 - MSG12CWN1N |
| M7 - MSG12HRN1N |
| M8 - MSG12HWN1N |
| M9 - MSG18CRN1N |
| M10 - MSG18CWN1N |
| M11 - MSG18HRN1N |
| M12 - MSG18HWN1N |
| M13 - MSG24CRN1N |
| M14 - MSG24CWN1N |
| M15 - MSG24HRN1N |
| M16 - MSG24HWN1N |

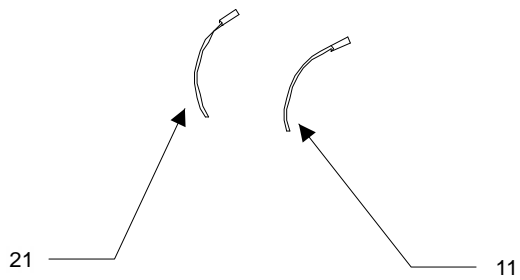
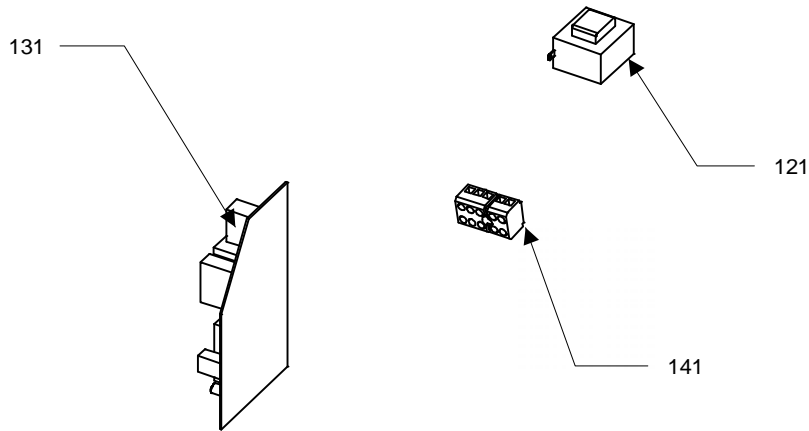
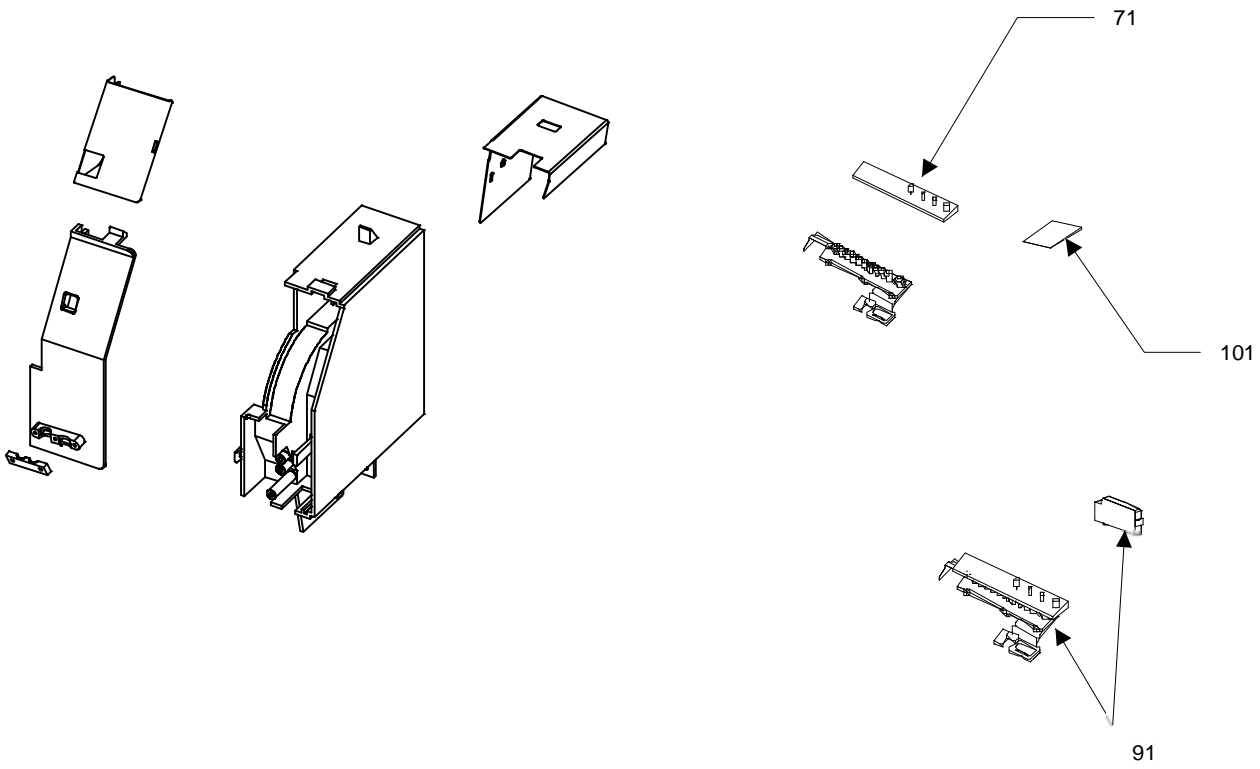
Evaporator / Blower Assembly



Evaporator / Blower Assembly

Ref. Part No:	Description:	Ref. Part No:	Description:																
<i>Image 1:</i>		<i>Image 1:</i>																	
11	INSTALLATION PLATE (M2, M4)	81	201600320000 COPPER NUT (M6, M8, M10, M12)																
11	201232790009 INSTALLATION PLATE (M6, M8)	81	201600320003 COPPER NUT (M14, M16)																
11	201233190002 INSTALLATION PLATE (M10, M12, M14, M16)	81	2160033001 COPPER NUT GLM-A01 (M9, M11)																
11	2123050005 INSTALLATION PLATE (M1)	81	2160032003 COPPER NUT GLM-D04 (M13, M15)																
11	2123079026 INSTALLATION PLATE (M9, M11, M13, M15)	81	2160032000 COPPER NUT TLM-A01 (M1, M3, M5, M7)																
11	2123101404 INSTALLATION PLATE (M5, M7)	91	COPPER NUT (M2, M4)																
11	2123240000 INSTALLATION PLATE (M3)	91	201600320001 COPPER NUT (M14, M16)																
31	FAN MOTOR (M2, M4)	91	201600320002 COPPER NUT (M6, M8, M10, M12)																
31	202400300011 FAN MOTOR (M6, M8)	91	2160032001 COPPER NUT GLM-B02 (M13, M15)																
31	202400400623 FAN MOTOR (M10, M12)	91	2160033003 COPPER NUT GLM-C03 (M9, M11)																
31	202400410650 FAN MOTOR (M14, M16)	91	2160032001 COPPER NUT TLM-B02 (M1, M3)																
31	2240030008 FAN MOTOR (M1, M3)	91	2160032002 COPPER NUT TLM-C03 (M5, M7)																
31	2240030011 FAN MOTOR (M5, M7)	101	201130790203 BREAKWATER (M10, M12, M14, M16)																
31	2240040617 FAN MOTOR (M9, M11)	101	201131010409 BREAKWATER (M6, M8)																
31	2240041650 FAN MOTOR (M13, M15)	101	2113079203 WATERPROOF BOARD (M9, M11, M13, M15)																
41	201100200008 ASSY, CROSS FLOW FAN (M2, M4)	Expanded Model Nomenclature																	
41	201100290011 ASSY, CROSS FLOW FAN (M10, M12, M14, M16)	<table border="1"> <tr><td>M1 - MSG09CRN1N</td></tr> <tr><td>M2 - MSG09CWN1N</td></tr> <tr><td>M3 - MSG09HRN1N</td></tr> <tr><td>M4 - MSG09HWN1N</td></tr> <tr><td>M5 - MSG12CRN1N</td></tr> <tr><td>M6 - MSG12CWN1N</td></tr> <tr><td>M7 - MSG12HRN1N</td></tr> <tr><td>M8 - MSG12HWN1N</td></tr> <tr><td>M9 - MSG18CRN1N</td></tr> <tr><td>M10 - MSG18CWN1N</td></tr> <tr><td>M11 - MSG18HRN1N</td></tr> <tr><td>M12 - MSG18HWN1N</td></tr> <tr><td>M13 - MSG24CRN1N</td></tr> <tr><td>M14 - MSG24CWN1N</td></tr> <tr><td>M15 - MSG24HRN1N</td></tr> <tr><td>M16 - MSG24HWN1N</td></tr> </table>		M1 - MSG09CRN1N	M2 - MSG09CWN1N	M3 - MSG09HRN1N	M4 - MSG09HWN1N	M5 - MSG12CRN1N	M6 - MSG12CWN1N	M7 - MSG12HRN1N	M8 - MSG12HWN1N	M9 - MSG18CRN1N	M10 - MSG18CWN1N	M11 - MSG18HRN1N	M12 - MSG18HWN1N	M13 - MSG24CRN1N	M14 - MSG24CWN1N	M15 - MSG24HRN1N	M16 - MSG24HWN1N
M1 - MSG09CRN1N																			
M2 - MSG09CWN1N																			
M3 - MSG09HRN1N																			
M4 - MSG09HWN1N																			
M5 - MSG12CRN1N																			
M6 - MSG12CWN1N																			
M7 - MSG12HRN1N																			
M8 - MSG12HWN1N																			
M9 - MSG18CRN1N																			
M10 - MSG18CWN1N																			
M11 - MSG18HRN1N																			
M12 - MSG18HWN1N																			
M13 - MSG24CRN1N																			
M14 - MSG24CWN1N																			
M15 - MSG24HRN1N																			
M16 - MSG24HWN1N																			
41	201131010401 ASSY, CROSS FLOW FAN (M6, M8)																		
41	2110020008 ASSY, CROSS FLOW FAN (M1, M3)																		
41	2110029011 ASSY, CROSS FLOW FAN (M9, M11, M13, M15)																		
41	2113101401 ASSY, CROSS FLOW FAN (M5, M7)																		
51	201101090004 BEARING HOLDER (M10, M12, M14, M16)																		
51	202730100201 BEARING HOLDER (M2, M4)																		
51	202731010401 BEARING HOLDER (M6, M8)																		
51	2110109004 BEARING HOLDER (M9, M11, M13, M15)																		
51	2273010201 BEARING HOLDER (M1, M3)																		
51	2273101401 BEARING HOLDER (M5, M7)																		
61	201530290016 EVAPORATOR (M6, M8)																		
61	201532390004 EVAPORATOR (M2, M4)																		
61	201532890001 EVAPORATOR (M10, M12)																		
61	201533190000 EVAPORATOR (M14, M16)																		
61	2153029016 EVAPORATOR (M5, M7)																		
61	2153239004 EVAPORATOR (M1, M3)																		
61	2153289001 EVAPORATOR (M9, M11)																		
61	2153319000 EVAPORATOR (M13, M15)																		
71	201101020012 DRAIN HOSE (M6, M8)																		
71	201101020014 DRAIN HOSE (M2, M4)																		
71	201130000001 DRAIN HOSE (M14, M16)																		
71	201130000011 DRAIN HOSE (M10, M12)																		
71	2110102012 DRAIN HOSE (M5, M7)																		
71	2110102014 DRAIN HOSE (M1, M3)																		
71	2113000001 DRAIN HOSE (M13, M15)																		
71	2113000011 DRAIN HOSE (M9, M11)																		
81	COPPER NUT (M2, M4)																		

Control Assembly



Control Assembly

Ref. Part No:	Ref. Part No:	Description:	Description:																	
<i>Image 1:</i>		<i>Image 1:</i>																		
11	202301300080	EVAPORATOR TEMP SENSOR (M6, M8, M10, M12, M14, M16)	141 2230145105 TERMINAL BLOCK (M1, M3, M5, M7, M9, M11, M13, M15)																	
11	2243069051	EVAPORATOR TEMP SENSOR (M5, M7, M9, M11, M13, M15)	NS 2113132309 LED INDICATOR (M1, M3)																	
21	202432390005	INDOOR TEMP SENSOR (M6, M8, M14, M16)	NS 201300730882 PROGRAM CHIP (M1)																	
21	202433190000	INDOOR TEMP SENSOR (M10, M12)	NS 201300730951 PROGRAM CHIP (M5)																	
21	2243069052	INDOOR TEMP SENSOR (M5, M7, M11, M13, M15)	NS 2130073954 PROGRAM CHIP (M7)																	
21	2243079040	INDOOR TEMP SENSOR (M9)	NS 2130073958 PROGRAM CHIP (M3)																	
71	2113020733	DISPLAY PANEL (M5, M7)	NS 2113020801 RELAY UNDERLAY (M5)																	
71	2113132317	DISPLAY PANEL (M1, M3)	Expanded Model Nomenclature																	
91		DISPLAY BOARD ASSY (M2)	<table border="1"> <tr><td>M1 - MSG09CRN1N</td></tr> <tr><td>M2 - MSG09CWN1N</td></tr> <tr><td>M3 - MSG09HRN1N</td></tr> <tr><td>M4 - MSG09HWN1N</td></tr> <tr><td>M5 - MSG12CRN1N</td></tr> <tr><td>M6 - MSG12CWN1N</td></tr> <tr><td>M7 - MSG12HRN1N</td></tr> <tr><td>M8 - MSG12HWN1N</td></tr> <tr><td>M9 - MSG18CRN1N</td></tr> <tr><td>M10 - MSG18CWN1N</td></tr> <tr><td>M11 - MSG18HRN1N</td></tr> <tr><td>M12 - MSG18HWN1N</td></tr> <tr><td>M13 - MSG24CRN1N</td></tr> <tr><td>M14 - MSG24CWN1N</td></tr> <tr><td>M15 - MSG24HRN1N</td></tr> <tr><td>M16 - MSG24HWN1N</td></tr> </table>		M1 - MSG09CRN1N	M2 - MSG09CWN1N	M3 - MSG09HRN1N	M4 - MSG09HWN1N	M5 - MSG12CRN1N	M6 - MSG12CWN1N	M7 - MSG12HRN1N	M8 - MSG12HWN1N	M9 - MSG18CRN1N	M10 - MSG18CWN1N	M11 - MSG18HRN1N	M12 - MSG18HWN1N	M13 - MSG24CRN1N	M14 - MSG24CWN1N	M15 - MSG24HRN1N	M16 - MSG24HWN1N
M1 - MSG09CRN1N																				
M2 - MSG09CWN1N																				
M3 - MSG09HRN1N																				
M4 - MSG09HWN1N																				
M5 - MSG12CRN1N																				
M6 - MSG12CWN1N																				
M7 - MSG12HRN1N																				
M8 - MSG12HWN1N																				
M9 - MSG18CRN1N																				
M10 - MSG18CWN1N																				
M11 - MSG18HRN1N																				
M12 - MSG18HWN1N																				
M13 - MSG24CRN1N																				
M14 - MSG24CWN1N																				
M15 - MSG24HRN1N																				
M16 - MSG24HWN1N																				
91		DISPLAY BOARD ASSY (M4)																		
91	201332590010	DISPLAY BOARD ASSY (M6)																		
91	201332590022	DISPLAY BOARD ASSY (M8)																		
91	201333190000	DISPLAY BOARD ASSY (M12, M16)																		
91	201333190001	DISPLAY BOARD ASSY (M10, M14)																		
91	2133079044	DISPLAY BOARD ASSY (M11, M15)																		
91	2133079858	DISPLAY BOARD ASSY (M9, M13)																		
91	2133259010	DISPLAY BOARD ASSY (M5)																		
91	2133259022	DISPLAY BOARD ASSY (M7)																		
91	2333139087	DISPLAY BOARD ASSY (M1, M3)																		
101	201332590009	SWITCH BOARD (M6, M8)																		
101	2133259009	SWITCH BOARD (M5, M7)																		
121	202300900534	TRANSFORMER (M14, M16)																		
121	202300900551	TRANSFORMER (M10, M12)																		
121	2230099003	TRANSFORMER (M13, M15)																		
121	2230099007	TRANSFORMER (M9, M11)																		
131		CONTROL BOARD (M2)																		
131		CONTROL BOARD (M4)																		
131	201332590314	CONTROL BOARD (M6)																		
131	201332590315	CONTROL BOARD (M8)																		
131	2013328900002	CONTROL BOARD (M12)																		
131	201332890001	CONTROL BOARD (M10)																		
131	201333090011	CONTROL BOARD (M14)																		
131	201333090013	CONTROL BOARD (M16)																		
131	2133139081	CONTROL BOARD (M1)																		
131	2133239032	CONTROL BOARD (M3)																		
131	2133259011	CONTROL BOARD (M5)																		
131	2133259020	CONTROL BOARD (M7)																		
131	2133289001	CONTROL BOARD (M9)																		
131	2133289002	CONTROL BOARD (M11)																		
131	2133309011	CONTROL BOARD (M13)																		
131	2133309013	CONTROL BOARD (M15)																		
141	202301400064	TERMINAL BLOCK (M2, M4, M6, M8, M10, M12, M14, M16)																		

THIS PAGE INTENTIONALLY LEFT BLANK