

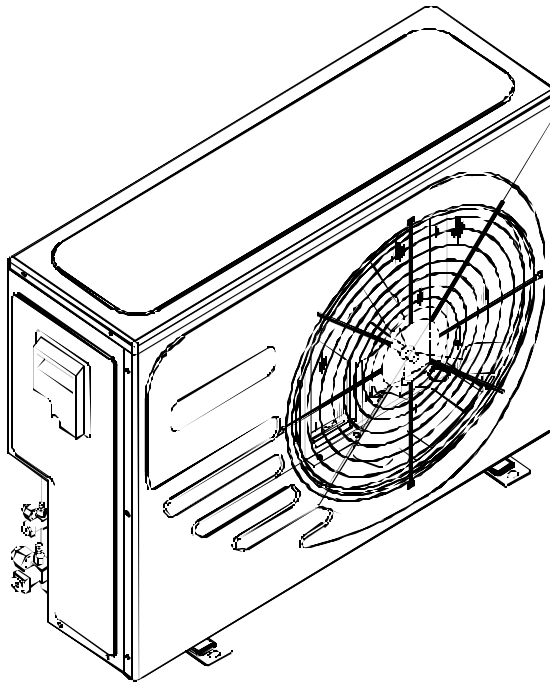


# REPAIR PARTS

---

## HDP Horizontal Discharge Heat Pumps

HDP12-1  
HDP12-1A  
HDP18-1  
HDP18-1A  
HDP24-1  
HDP24-1A



This manual is to be used by qualified technicians only.

Made in the USA by:  
Goodman Manufacturing Company, L.P.  
2550 North Loop West, Suite 400  
Houston Texas 77092

RP - 211G  
May 2004

This manual replaces RP-211G.  
Copyright ©2004 Goodman Manufacturing Company, L.P.

## Important Information

---

Goodman Manufacturing Company, L.P. is not responsible for personal injury or property damage resulting from improper service. Review all service information before beginning repairs.

Warranty service must be performed by an authorized technician, using authorized factory parts. If service is required after the warranty expires, Goodman Manufacturing Company, L.P. also recommends contacting an authorized technician and using authorized factory parts.

For assistance within the U.S.A. contact:

Consumer Affairs Department  
Goodman Manufacturing Company, L.P.  
7401 Security Way  
Houston, Texas 77040  
877-254-4729-Telephone  
713-863-2382-Facsimile

For assistance outside the U.S.A. contact:

International Division  
Goodman Manufacturing Company, L.P.  
7401 Security Way  
Houston, Texas 77040  
713-861-2500-Telephone  
713-863-2382-Facsimile

# Index

Functional Parts List .....	5
Illustration and Parts .....	6 - 7

*Views shown are for parts illustrations only, not servicing procedures.*

Revision G: Adds model HDP24-1A

## **Text Codes:**

AR - As Required

NA - Not Available

NS - Not Shown

00000000 - See Note

QTY - Quantity Example (QTY 3) (If Quantity not shown, Quantity = 1)

M - Model Example (M1) (If M Code not shown, then part is used on all Models)

## **Expanded Model Nomenclature:**

Example
M1 - Model#1
M2 - Model#2
M3 - Model#3

This page left blank intentionally.

# Functional Parts

## Part

## No: Description:

---

B1219201S	BI-FLOW FILTER DRIER
B94578700	CAPACITOR, DUAL-SECTION, 30/5/370 (M1, M2)
B94575300	CAPACITOR, DUAL-SECTION, 35/5/370 (M3, M4, M5, M6)
B9266611BS	COMPRESSOR, H29B20UABCB (M3, M4)
B9266643BS	COMPRESSOR, H29B24UABCB (M5, M6)
B9266724S	COMPRESSOR, TECUMSEH, RK5513E (M1, M2)
B1360322	CONTACTOR, 25 AMP, 1 POLE, 208/230V COIL
B1086759	FAN, CONDENSER, 3 BLADE, 22° PITCH, 18" DIA.
B1314452	FLOWRATOR W/COPPER STUB ASSEMBLY (M2)
B1314259	FLOWRATOR W/COPPER STUB ASSEMBLY (M1)
B1314265	FLOWRATOR W/COPPER STUB ASSEMBLY (M3)
B1314468	FLOWRATOR W/COPPER STUB ASSEMBLY (M4)
B1314471	FLOWRATOR W/COPPER STUB ASSEMBLY (M6)
B1314274	FLOWRATOR W/COPPER STUB ASSEMBLY (M5)
B13400701	MOTOR, CONDENSER, FAN, 1 SPD, 1/15 HP, 900 RPM
B1219300	MUFFLER
12623-11	SERVICE COIL W/FILTER DRIER (M1, M3, M5)
12623-12	SERVICE COIL W/FILTER DRIER (M2, M4, M6)
B1370809	THERMISTOR SENSOR PLASTIC
B1282556	VALVE BASE, SUCTION LINE 5/8", CHATLEFF
B1282555	VALVE, BASE, LIQUID LINE 3/8", .045 PISTON (M1, M2)
B1282557	VALVE, BASE, LIQUID LINE 3/8", .052 PISTON (M3)
B1282558	VALVE, BASE, LIQUID LINE 3/8", .055 PISTON (M4, M5)
B1282565	VALVE, BASE, LIQUID LINE 3/8", .059 PISTON (M6)
B1227301	VALVE, REVERSING

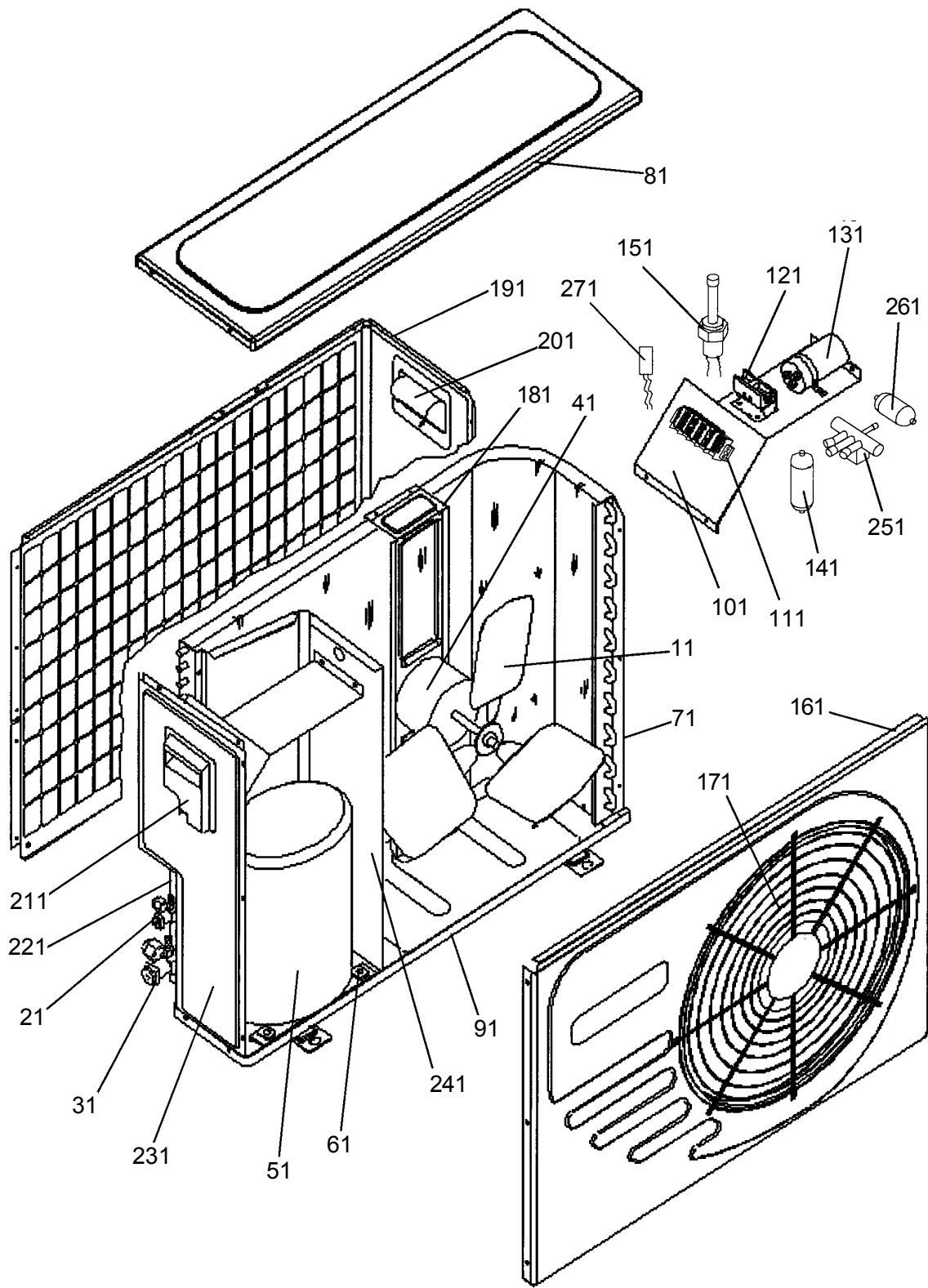
### SPECIAL PARTS

IO-221	INSTALLATION AND OPERATING MANUAL
B260S8291	PAINT, SPRAY (HIGH GLOSS BAHAMA BEIGE)
RP-211	REPAIR PARTS MANUAL
SS-228	SPECIFICATION SHEET

### Expanded Model Nomenclature

M1 - HDP12-1
M2 - HDP12-1A
M3 - HDP18-1
M4 - HDP18-1A
M5 - HDP24-1
M6 - HDP24-1A

# Chassis



# Chassis

## Ref. Part

No: No:

Description:

## Ref. Part

No: No:

Description:

Image 1:

11	B1086759	FAN, CONDENSER, 3 BLADE, 22° PITCH, 18" DIA.
21	B1282555	VALVE, BASE, LIQUID LINE 3/8", .045 PISTON (M1, M2)
21	B1282557	VALVE, BASE, LIQUID LINE 3/8", .052 PISTON (M3)
21	B1282558	VALVE, BASE, LIQUID LINE 3/8", .055 PISTON (M4, M5)
21	B1282565	VALVE, BASE, LIQUID LINE 3/8", .059 PISTON (M6)
31	B1282556	VALVE BASE, SUCTION LINE 5/8", CHATLEFF
41	B13400701	MOTOR, CONDENSER, FAN, 1 SPD, 1/15 HP, 900 RPM
51	B9266611BS	COMPRESSOR, H29B20UACB (M3, M4)
51	B9266643BS	COMPRESSOR, H29B24UACB (M5, M6)
51	B9266724S	COMPRESSOR, TECUMSEH, RK5513E (M1, M2)
61	B1339530	GROMMET, COMPRESSOR, BRISTOL, (QTY4) (QTY 4)
61	B1339534	GROMMET, COMPRESSOR, TECUMSEH, (QTY3) (QTY 3)
71	12623-11	SERVICE COIL W/FILTER DRIER (M1, M3, M5)
71	12623-12	SERVICE COIL W/FILTER DRIER (M2, M4, M6)
81	3150500P	PANEL, TOP
91	3151200P	BOTTOM PAN ASSEMBLY (M1, M2, M3, M4, M6)
91	3151202P	BOTTOM PAN ASSEMBLY (M5)
101	3151100	PANEL, CONTROL MOUNTING
111	B1368263	TERMINAL BLOCK, 5 POLE
121	B1360322	CONTACTOR, 25 AMP, 1 POLE, 208/230V COIL
131	B94578700	CAPACITOR, DUAL-SECTION, 30/5/370 (M1, M2)
131	B94575300	CAPACITOR, DUAL-SECTION, 35/5/370 (M3, M4, M5, M6)
141	B1219201S	BI-FLOW FILTER DRIER
151	B1314259	FLOWRATOR W/COPPER STUB ASSEMBLY (M1)
151	B1314265	FLOWRATOR W/COPPER STUB ASSEMBLY (M3)
151	B1314274	FLOWRATOR W/COPPER STUB ASSEMBLY (M5)
151	B1314452	FLOWRATOR W/COPPER STUB ASSEMBLY (M2)
151	B1314468	FLOWRATOR W/COPPER STUB ASSEMBLY (M4)
151	B1314471	FLOWRATOR W/COPPER STUB ASSEMBLY (M6)
161	3150301P	PANEL, FRONT, 25"
171	B1376915	GUARD, FAN, 18" DIA.
181	3150804	BRACKET, FAN MOTOR, 25"
191	3150201P	PANEL, BACK GRILLE, 25"
201	B3175002	HANDLE, PLASTIC, RIGHT
211	B3175003	HANDLE, PLASTIC, LEFT
221	3150700P	BRACKET, VALVE
231	3150101P	PANEL, COMPRESSOR END, 25"
241	3150401	PANEL, PARTITION, 25" (M1, M3, M5)
241	3150402	PANEL, PARTITION, 25" (M2, M4, M6)
251	B1227301	VALVE, REVERSING
261	B1219300	MUFFLER
271	B1370809	THERMISTOR SENSOR PLASTIC
NS	B260S8291	PAINT, SPRAY (HIGH GLOSS BAHAMA BEIGE)

Expanded Model Nomenclature

M1 - HDP12-1
M2 - HDP12-1A
M3 - HDP18-1
M4 - HDP18-1A
M5 - HDP24-1
M6 - HDP24-1A