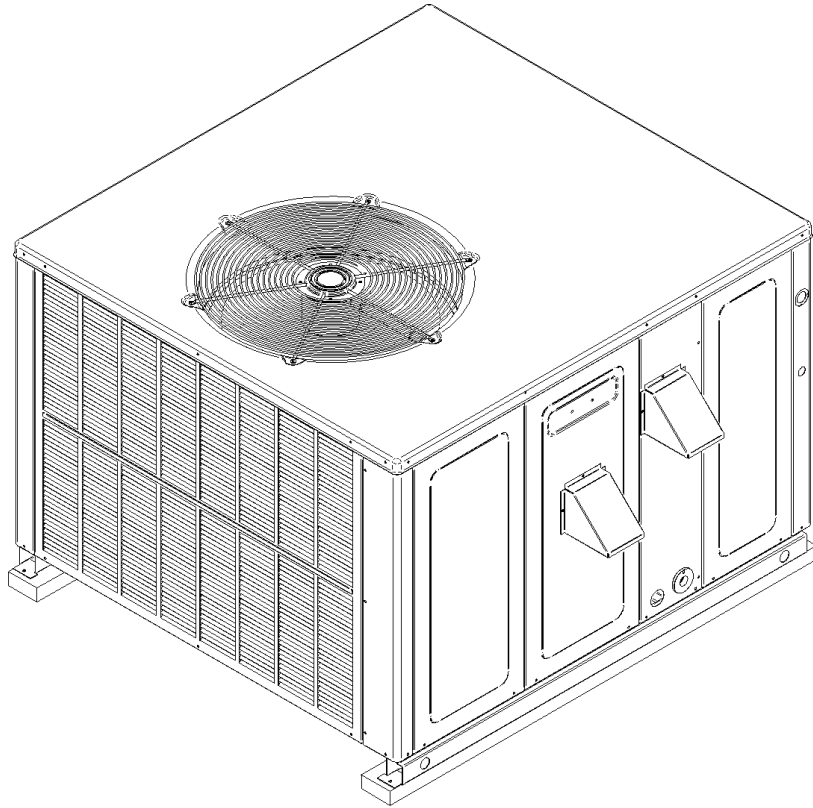


# REPAIR PARTS

## GPG13 Package Gas Units

GPG13240451BA  
GPG13240451CB  
GPG13240701BA  
GPG13240701CB  
GPG13300451AB  
GPG13300451AC  
GPG13300451BB  
GPG13300701AB  
GPG13300701BB  
GPG13360451AB  
GPG13360701AB  
GPG13360901AB  
GPG13480701AB  
GPG13480701AC  
GPG13480901AB  
GPG13480901AC  
GPG13481151AB  
GPG13481151AC  
GPG13600901BA  
GPG13600901BB  
GPG13601151BA  
GPG13601151BB  
GPG13601401BA  
GPG13601401BB



This manual is to be used by qualified technicians only.

This manual replaces RP-394F.

© 2006-2008 Goodman Manufacturing Company, L.P. ♦ 5151 San Felipe, Suite 500 ♦ Houston, TX 77056

# Important Information

---

## Index

Functional Parts List .....	3
Illustration and Parts .....	4 - 15

*Views shown are for parts illustrations only, not servicing procedures.*

Rev. G: Changed fan blade 0150M00011 to 0150G00003.

7/11/08: Added note regarding factory installed duct covers (p. 7).

### Text Codes:

AR - As Required

NA - Not Available

NS - Not Shown

00000000 - See Note

QTY - Quantity Example (QTY 3) (If Quantity not shown, Quantity = 1)

M - Model Example (M1) (If M Code not shown, then part is used on all Models)

### Expanded Model Nomenclature:

Example M1 - Model#1 M2 - Model#2 M3 - Model#3
---

Goodman Manufacturing Company, L.P. is not responsible for personal injury or property damage resulting from improper service. Review all service information before beginning repairs.

Warranty service must be performed by an authorized technician, using authorized factory parts. If service is required after the warranty expires, Goodman Manufacturing Company, L.P. also recommends contacting an authorized technician and using authorized factory parts.

Goodman Manufacturing Company, L.P. reserves the right to discontinue, or change at any time, specifications or designs without notice or without incurring obligations.

For assistance within the U.S.A. contact:  
Consumer Affairs Department  
Goodman Manufacturing Company, L.P.  
7401 Security Way  
Houston, Texas 77040  
877-254-4729-Telephone  
713-863-2382-Facsimile

For assistance outside the U.S.A. contact:  
International Division  
Goodman Manufacturing Company, L.P.  
7401 Security Way  
Houston, Texas 77040  
713-861-2500-Telephone  
713-863-2382-Facsimile

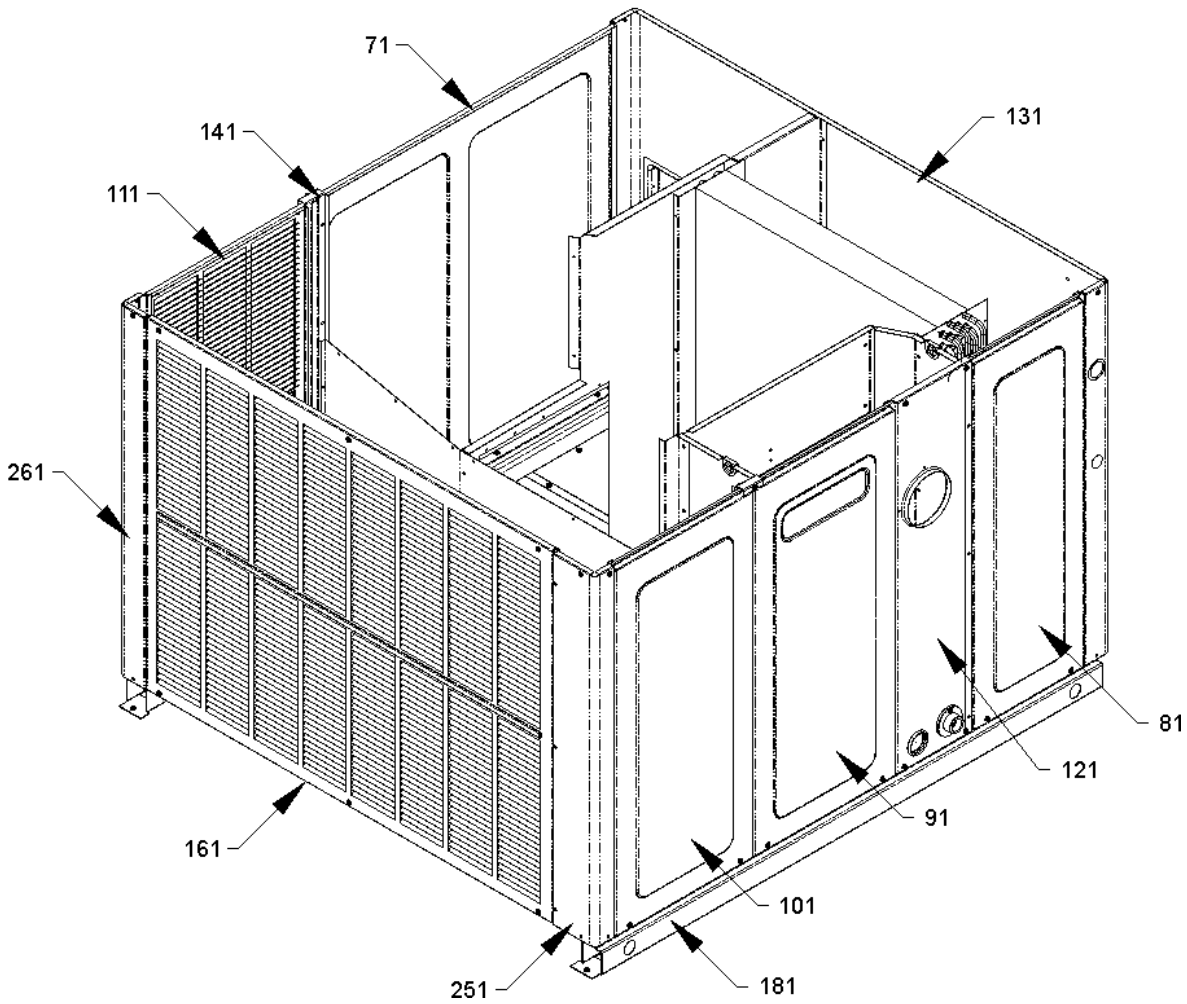
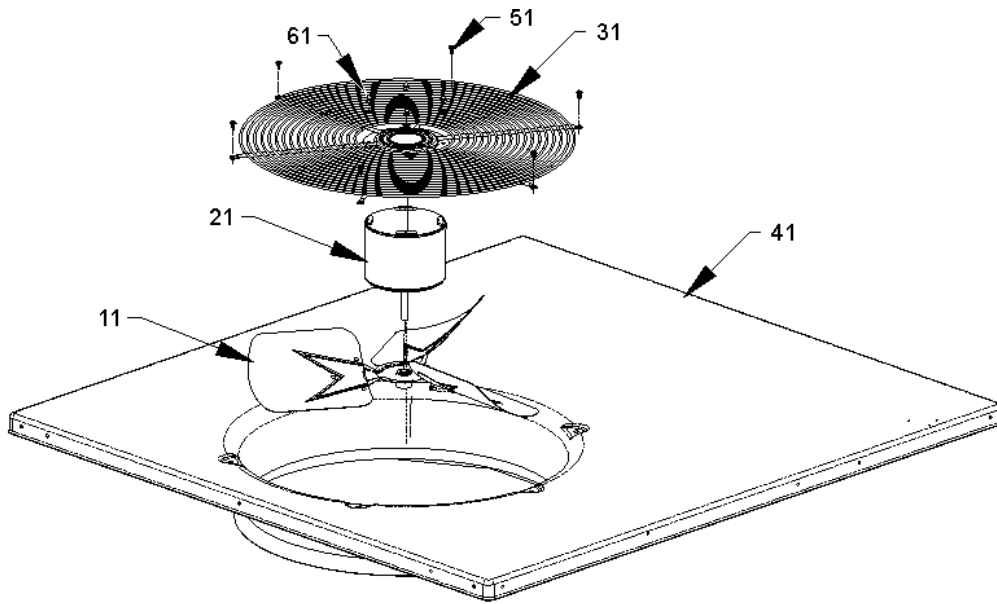
# Functional Parts

## Part

### No: Description:

Part No:	Description:	Part No:	Description:																								
0130M00025S	24V RELAY (M13, M14, M15, M16, M17, M18, M19, M20, M21, M22, M23, M24)	B1282628	GAS VALVE (36G)																								
20269903	AUXILIARY LIMIT, AUTO RESET	PCBAG123S	IGNITION BOARD, DSI INTEGRATED (QTY -1)																								
0231K00040	BLOWER MOTOR 1 HP PROGRAMMED X13 (M19, M20, M21, M22, M23, M24)	20261709S	IGNITOR																								
11091202S	BLOWER MOTOR 1/3 HP, 3 SP, 6 PL (M5, M6, M7, M8, M9)	10728343	LIMIT SWITCH (M10, M11, M12, M23, M24)																								
11091207S	BLOWER MOTOR 1/4 HP, 3 SP, 8 PL (M1, M2, M3, M4)	10728342	LIMIT SWITCH (M1, M2, M3, M4, M5, M6, M7, M8, M9)																								
0231K00041	BLOWER MOTOR 3/4 HP PROGRAMMED X13 (M13, M14, M15, M16, M17, M18)	10728344	LIMIT SWITCH (M13, M14, M15, M16, M17, M18, M19, M20, M21, M22)																								
CAP100000370VAS	CAPACITOR 10/370V [BLOWER] (M1, M2, M3, M4, M5, M6, M7, M8, M9, M10, M11, M12)	10123529	MANUAL RESET LIMIT																								
CAP050300370RSS	CAPACITOR 5/30/370V [CONTROL BOX] (M1, M3)	11112501S	PRESSURE SWITCH																								
CAP050350440RSS	CAPACITOR 5/35/440V [CONTROL BOX] (M10, M11, M12)	B1141643	TRANSFORMER 208/230, 24V																								
CAP050400370RSS	CAPACITOR 5/40/370V [CONTROL BOX] (M5, M6, M8)	<b>SPECIAL PARTS</b>																									
CAP050450370RSS	CAPACITOR 5/45/370V [CONTROL BOX] (M2, M4)	11091203S	COND MOTOR 1/3 HP, 3 SP, 6 PL (M10, M11, M12)																								
CAP050600370RTS	CAPACITOR 5/60/370V [CONTROL BOX] (M7, M9, M13, M14, M15, M16, M17, M18)	B10259251	GOODMAN LABEL																								
CAP050800370RTS	CAPACITOR 5/80/370V [CONTROL BOX] (M19, M20, M21, M22, M23, M24)	IO-288A	INSTALLATION INSTRUCTIONS																								
CR19K7PFV970	COMPRESSOR 19300, 208/230/60/1 (M1, M3)	IO-653C	INSTALLATION INSTRUCTION																								
CR23K7PFV930	COMPRESSOR 22600, 208/230/60/1 (M5, M6, M8)	RP-394F	REPAIR PARTS MANUAL																								
CR28K7PFV930	COMPRESSOR 28300, 208/230/60/1 (M10, M11, M12)	IO-604	SPECIAL INSTRUCTIONS, 36G VALVE																								
ZR40K3PFV930	COMPRESSOR 40600, 208/230/60/1 (M13, M14, M15, M16, M17, M18)	HI-116	USERS MANUAL																								
ZR52K3PFV930	COMPRESSOR 52000, 208/230/60/1 (M19, M20, M21, M22, M23, M24)	Expanded Model Nomenclature																									
2J35S236C1AS	COMPRESSOR-PANASONIC (M7, M9)	<table border="1"> <tr><td>M1 - GPG13240451BA</td></tr> <tr><td>M2 - GPG13240451CB</td></tr> <tr><td>M3 - GPG13240701BA</td></tr> <tr><td>M4 - GPG13240701CB</td></tr> <tr><td>M5 - GPG13300451AB</td></tr> <tr><td>M6 - GPG13300451AC</td></tr> <tr><td>M7 - GPG13300451BB</td></tr> <tr><td>M8 - GPG13300701AB</td></tr> <tr><td>M9 - GPG13300701BB</td></tr> <tr><td>M10 - GPG13360451AB</td></tr> <tr><td>M11 - GPG13360701AB</td></tr> <tr><td>M12 - GPG13360901AB</td></tr> <tr><td>M13 - GPG13480701AB</td></tr> <tr><td>M14 - GPG13480701AC</td></tr> <tr><td>M15 - GPG13480901AB</td></tr> <tr><td>M16 - GPG13480901AC</td></tr> <tr><td>M17 - GPG13481151AB</td></tr> <tr><td>M18 - GPG13481151AC</td></tr> <tr><td>M19 - GPG13600901BA</td></tr> <tr><td>M20 - GPG13600901BB</td></tr> <tr><td>M21 - GPG13601151BA</td></tr> <tr><td>M22 - GPG13601151BB</td></tr> <tr><td>M23 - GPG13601401BA</td></tr> <tr><td>M24 - GPG13601401BB</td></tr> </table>		M1 - GPG13240451BA	M2 - GPG13240451CB	M3 - GPG13240701BA	M4 - GPG13240701CB	M5 - GPG13300451AB	M6 - GPG13300451AC	M7 - GPG13300451BB	M8 - GPG13300701AB	M9 - GPG13300701BB	M10 - GPG13360451AB	M11 - GPG13360701AB	M12 - GPG13360901AB	M13 - GPG13480701AB	M14 - GPG13480701AC	M15 - GPG13480901AB	M16 - GPG13480901AC	M17 - GPG13481151AB	M18 - GPG13481151AC	M19 - GPG13600901BA	M20 - GPG13600901BB	M21 - GPG13601151BA	M22 - GPG13601151BB	M23 - GPG13601401BA	M24 - GPG13601401BB
M1 - GPG13240451BA																											
M2 - GPG13240451CB																											
M3 - GPG13240701BA																											
M4 - GPG13240701CB																											
M5 - GPG13300451AB																											
M6 - GPG13300451AC																											
M7 - GPG13300451BB																											
M8 - GPG13300701AB																											
M9 - GPG13300701BB																											
M10 - GPG13360451AB																											
M11 - GPG13360701AB																											
M12 - GPG13360901AB																											
M13 - GPG13480701AB																											
M14 - GPG13480701AC																											
M15 - GPG13480901AB																											
M16 - GPG13480901AC																											
M17 - GPG13481151AB																											
M18 - GPG13481151AC																											
M19 - GPG13600901BA																											
M20 - GPG13600901BB																											
M21 - GPG13601151BA																											
M22 - GPG13601151BB																											
M23 - GPG13601401BA																											
M24 - GPG13601401BB																											
2J29S236B1AS	COMPRESSOR-PANASONIC (M2, M4)																										
0131M00008PS	COND MOTOR 1/3 HP, 1 SP, 6 PL (M13, M15, M17, M19, M21, M23)																										
0131M00007PS	COND MOTOR 1/4 HP, 1 SP, 8 PL (M5, M6, M7, M8, M9, M10, M11, M12, M14, M16, M18, M20, M22, M24)																										
0131M00014PS	COND MOTOR 1/4 HP, 1 SP, 8 PL (M2, M4)																										
0131M00009PS	COND MOTOR 1/6 HP, 1 SP, 8 PL (M1, M3)																										
CONT1P030024VS	CONTACTOR 30 AMP, 1P, 24V (M13, M14, M15, M16, M17, M18, M19, M20, M21, M22, M23, M24)																										
CONT2P030024VS	CONTACTOR 30 AMP, 2P, 24V (M1, M2, M3, M4, M5, M6, M7, M8, M9, M10, M11, M12)																										
B3232219	EXPANSION VALVE (M19, M20, M21, M22, M23, M24)																										
4368403	FEMALE PLUG ASSY (M13, M14, M15, M16, M17, M18, M19, M20, M21, M22, M23, M24)																										
0130F00010	FLAME SENSOR																										

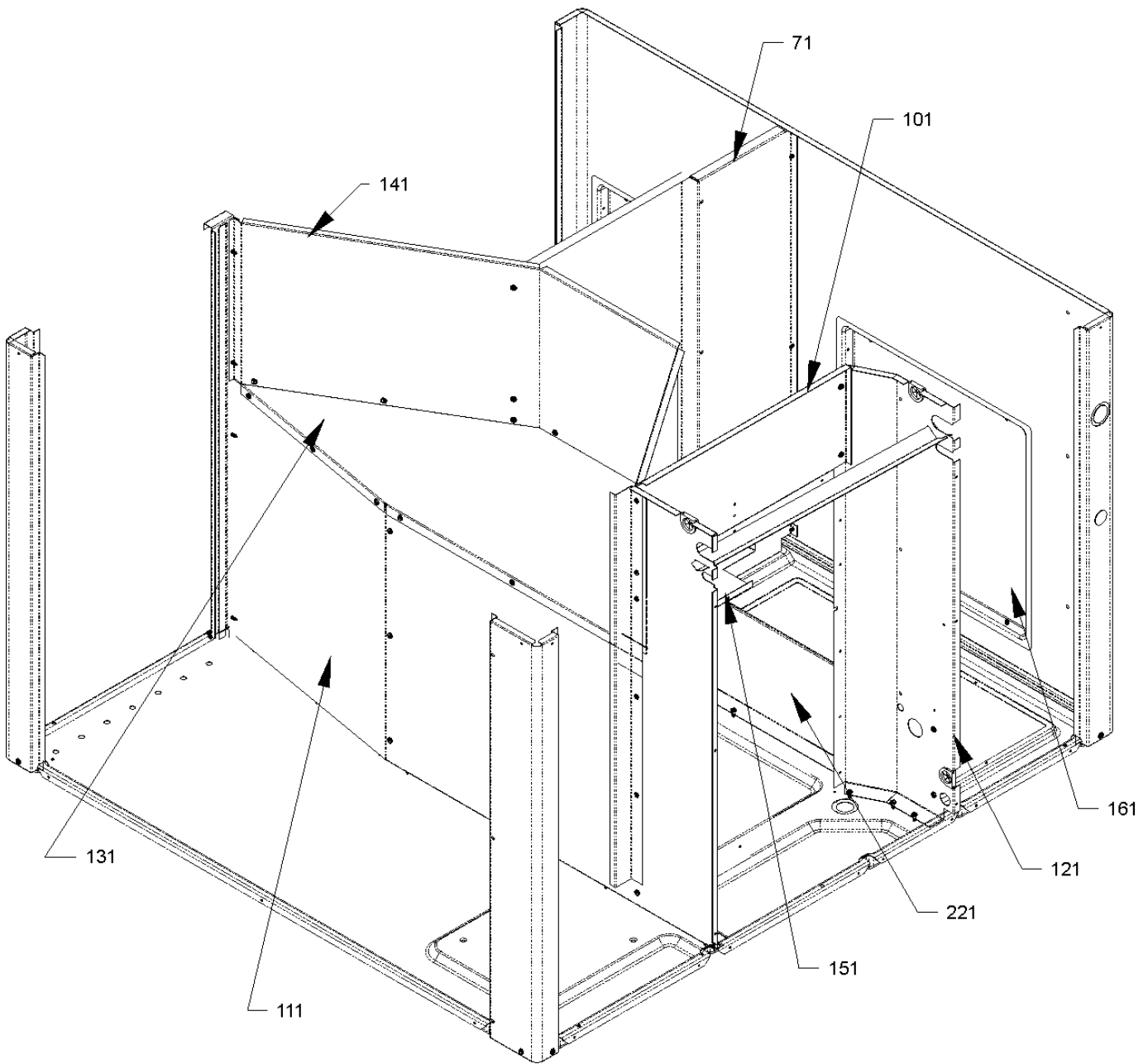
# Top Panel/Fan/Cabinet



# Top Panel/Fan/Cabinet

Ref. Part No:	No:	Description:	Ref. Part No:	No:	Description:																								
<i>Image 1:</i>			161	20464402PDG	LOUVERED PANEL, COND SIDE 40" (M13, M14, M15, M16, M17, M18, M19, M20, M21, M22, M23, M24)																								
11	B1086775S	FAN BLADE (M5, M8)	181	0121G00290	BASEPAN RAIL (QTY 2)																								
11	0150M00002PS	FAN BLADE 22" (M2, M4, M6, M7, M9)	251	20464201PDG	CORNER POST-COMP END 32" (M1, M2, M3, M4, M5, M6, M7, M8, M9, M10, M11, M12)																								
11	B1086773S	FAN BLADE 22" (M1, M3, M10, M11, M12)	251	20464202PDG	CORNER POST-COMP END 40" (M13, M14, M15, M16, M17, M18, M19, M20, M21, M22, M23, M24)																								
11	0150G00003S	FAN BLADE SWEEP-WING (M13, M14, M15, M16, M17, M18, M19, M20, M21, M22, M23, M24)	261	20464301PDG	CORNER POST-HAIRPIN END 32" (M1, M2, M3, M4, M5, M6, M7, M8, M9, M10, M11, M12)																								
21	0131M00008PS	COND MOTOR 1/3 HP, 1 SP, 6 PL (M13, M15, M17, M19, M21, M23)	261	20464302PDG	CORNER POST-HAIRPIN END 40" (M13, M14, M15, M16, M17, M18, M19, M20, M21, M22, M23, M24)																								
21	0131M00007PS	COND MOTOR 1/4 HP, 1 SP, 8 PL (M5, M6, M7, M8, M9, M10, M11, M12, M14, M16, M18, M20, M22, M24)	NS	20465601PDG	FLUE HOOD (QTY 2)																								
21	0131M00014PS	COND MOTOR 1/4 HP, 1 SP, 8 PL (M2, M4)	NS	0270G00070S	FLUE HOOD ASSY																								
21	0131M00009PS	COND MOTOR 1/6 HP, 1 SP, 8 PL (M1, M3)	NS	0121G00190S	FLUE HOOD-LOWER																								
31	0152G00002S	FAN GRILLE (M13, M14, M15, M16, M17, M18, M19, M20, M21, M22, M23, M24)	NS	B1910012	GAS LINE GROMMET																								
31	B1376923	FAN GRILLE GUARD, LRG (M1, M2, M3, M4, M5, M6, M7, M8, M9, M10, M11, M12)	NS	B10259251	GOODMAN LABEL																								
41	20466001PDGS	TOP PANEL	NS	17788000083F	PVC CONDUIT 8.25"																								
51	0163M00003P	SCREW #10 X 1/2, A, SLOT, SR, BLACK (QTY 6)	Expanded Model Nomenclature																										
61	0163M00006P	ACORN NUT 5/16 HEX BLACK (QTY 4)	<table border="1"> <tr><td>M1 - GPG13240451BA</td></tr> <tr><td>M2 - GPG13240451CB</td></tr> <tr><td>M3 - GPG13240701BA</td></tr> <tr><td>M4 - GPG13240701CB</td></tr> <tr><td>M5 - GPG13300451AB</td></tr> <tr><td>M6 - GPG13300451AC</td></tr> <tr><td>M7 - GPG13300451BB</td></tr> <tr><td>M8 - GPG13300701AB</td></tr> <tr><td>M9 - GPG13300701BB</td></tr> <tr><td>M10 - GPG13360451AB</td></tr> <tr><td>M11 - GPG13360701AB</td></tr> <tr><td>M12 - GPG13360901AB</td></tr> <tr><td>M13 - GPG13480701AB</td></tr> <tr><td>M14 - GPG13480701AC</td></tr> <tr><td>M15 - GPG13480901AB</td></tr> <tr><td>M16 - GPG13480901AC</td></tr> <tr><td>M17 - GPG13481151AB</td></tr> <tr><td>M18 - GPG13481151AC</td></tr> <tr><td>M19 - GPG13600901BA</td></tr> <tr><td>M20 - GPG13600901BB</td></tr> <tr><td>M21 - GPG13601151BA</td></tr> <tr><td>M22 - GPG13601151BB</td></tr> <tr><td>M23 - GPG13601401BA</td></tr> <tr><td>M24 - GPG13601401BB</td></tr> </table>			M1 - GPG13240451BA	M2 - GPG13240451CB	M3 - GPG13240701BA	M4 - GPG13240701CB	M5 - GPG13300451AB	M6 - GPG13300451AC	M7 - GPG13300451BB	M8 - GPG13300701AB	M9 - GPG13300701BB	M10 - GPG13360451AB	M11 - GPG13360701AB	M12 - GPG13360901AB	M13 - GPG13480701AB	M14 - GPG13480701AC	M15 - GPG13480901AB	M16 - GPG13480901AC	M17 - GPG13481151AB	M18 - GPG13481151AC	M19 - GPG13600901BA	M20 - GPG13600901BB	M21 - GPG13601151BA	M22 - GPG13601151BB	M23 - GPG13601401BA	M24 - GPG13601401BB
M1 - GPG13240451BA																													
M2 - GPG13240451CB																													
M3 - GPG13240701BA																													
M4 - GPG13240701CB																													
M5 - GPG13300451AB																													
M6 - GPG13300451AC																													
M7 - GPG13300451BB																													
M8 - GPG13300701AB																													
M9 - GPG13300701BB																													
M10 - GPG13360451AB																													
M11 - GPG13360701AB																													
M12 - GPG13360901AB																													
M13 - GPG13480701AB																													
M14 - GPG13480701AC																													
M15 - GPG13480901AB																													
M16 - GPG13480901AC																													
M17 - GPG13481151AB																													
M18 - GPG13481151AC																													
M19 - GPG13600901BA																													
M20 - GPG13600901BB																													
M21 - GPG13601151BA																													
M22 - GPG13601151BB																													
M23 - GPG13601401BA																													
M24 - GPG13601401BB																													
71	20464801PDG	BLOWER DOOR 32" (M1, M2, M3, M4, M5, M6, M7, M8, M9, M10, M11, M12)																											
71	20464806PDG	BLOWER DOOR 40" (M13, M14, M15, M16, M17, M18, M19, M20, M21, M22, M23, M24)																											
81	20464802PDG	EVAP/CONTROL DOOR 32" (M1, M2, M3, M4, M5, M6, M7, M8, M9, M10, M11, M12)																											
81	20464807PDGS	EVAP/CONTROL DOOR 40" (M13, M14, M15, M16, M17, M18, M19, M20, M21, M22, M23, M24)																											
91	0121G00179DG	HEAT EXCHANGER DOOR 32" (M1, M2, M3, M4, M5, M6, M7, M8, M9, M10, M11, M12)																											
91	0121G00181DG	HEAT EXCHANGER DOOR 40" (M13, M14, M15, M16, M17, M18, M19, M20, M21, M22, M23, M24)																											
101	20464804PDG	COMPRESSOR DOOR 32" (M1, M2, M3, M4, M5, M6, M7, M8, M9, M10, M11, M12)																											
101	20464809PDG	COMPRESSOR DOOR 40" (M13, M14, M15, M16, M17, M18, M19, M20, M21, M22, M23, M24)																											
111	20467701PDG	LOUVERED PANEL, COND SIDE 32" (M1, M2, M3, M4, M5, M6, M7, M8, M9, M10, M11, M12)																											
111	20467702PDG	LOUVERED PANEL, COND SIDE 40" (M13, M14, M15, M16, M17, M18, M19, M20, M21, M22, M23, M24)																											
121	20466101PDG	UTILITY PANEL 32" (M1, M2, M3, M4, M5, M6, M7, M8, M9, M10, M11, M12)																											
121	20466102PDG	UTILITY PANEL 40" (M13, M14, M15, M16, M17, M18, M19, M20, M21, M22, M23, M24)																											
131	0121G00239DG	DUCT PANEL 32.5" (M1, M2, M3, M4, M5, M6, M7, M8, M9, M10, M11, M12)																											
131	0121G00240DG	DUCT PANEL 40" (M13, M14, M15, M16, M17, M18, M19, M20, M21, M22, M23, M24)																											
141	0121G00208	SUPPORT POST 32" (M1, M2, M3, M4, M5, M6, M7, M8, M9, M10, M11, M12)																											
141	0121G00209	SUPPORT POST 40" (M13, M14, M15, M16, M17, M18, M19, M20, M21, M22, M23, M24)																											
161	20464401PDG	LOUVERED PANEL, COND SIDE 32" (M1, M2, M3, M4, M5, M6, M7, M8, M9, M10, M11, M12)																											

# Partition Panels



# Partition Panels

Ref. Part No:	No:	Description:	Ref. Part No:	No:	Description:
<i>Image 1:</i>			Expanded Model Nomenclature		
71	20465305	BLOWER DIVIDER (M1, M2, M3, M4, M5, M6, M7, M8, M9)	M1 -	GPG13240451BA	
71	20465304	BLOWER DIVIDER 32" 10 X 9 (M10, M11, M12)	M2 -	GPG13240451CB	
71	0121G00177	BLOWER DIVIDER 38" (M13, M14, M15, M16, M17, M18, M19, M20, M21, M22, M23, M24)	M3 -	GPG13240701BA	
101	20465201	FILLER PANEL, HEAT EXCHANGER 32" (M1, M2, M3, M4, M5, M6, M7, M8, M9, M10, M11, M12)	M4 -	GPG13240701CB	
101	20465202	FILLER PANEL, HEAT EXCHANGER 40" (M13, M14, M15, M16, M17, M18, M19, M20, M21, M22, M23, M24)	M5 -	GPG13300451AB	
111	0121G00198	PARTITION PANEL 32.5" (M1, M2, M3, M4, M5, M6, M7, M8, M9, M10, M11, M12)	M6 -	GPG13300451AC	
111	0121G00199	PARTITION PANEL 40" (M13, M14, M15, M16, M17, M18, M19, M20, M21, M22, M23, M24)	M7 -	GPG13300451BB	
121	20465501	EVAP/HEAT EXCHANGER DIVIDER 32" (M1, M2, M3, M4, M5, M6, M7, M8, M9, M10, M11, M12)	M8 -	GPG13300701AB	
121	20465502	EVAP/HEAT EXCHANGER DIVIDER 38" (M13, M14, M15, M16, M17, M18, M19, M20, M21, M22, M23, M24)	M9 -	GPG13300701BB	
131	20465701	FAN PARTITION SHELF	M10 -	GPG13360451AB	
141	20465801	FAN SURROUND 32" (M1, M2, M3, M4, M5, M6, M7, M8, M9, M10, M11, M12)	M11 -	GPG13360701AB	
141	20465802	FAN SURROUND 40" (M13, M14, M15, M16, M17, M18, M19, M20, M21, M22, M23, M24)	M12 -	GPG13360901AB	
151	20472501	SHIELD, HEAT EXCHANGER TUBES	M13 -	GPG13480701AB	
161	20464501PDG	BACK DUCT COVER 27" & 32" (M1, M2, M3, M4, M5, M6, M7, M8, M9, M10, M11, M12) <small>Effective July 2008 (serial codes 0807), single phase units will no longer be factory shipped with horizontal duct covers. For downshot applications, contact your local Goodman distributor.</small>	M14 -	GPG13480701AC	
161	20464502PDG	BACK DUCT COVER 40" (M13, M14, M15, M16, M17, M18, M19, M20, M21, M22, M23, M24) <small>Effective July 2008 (serial codes 0807), single phase units will no longer be factory shipped with horizontal duct covers. For downshot applications, contact your local Goodman distributor.</small>	M15 -	GPG13480901AB	
221	20463802	EVAP/BASEPAN BLOCK 32" (M1, M2, M3, M4, M5, M6, M7, M8, M9, M10, M11, M12)	M16 -	GPG13480901AC	
221	20463801	EVAP/BASEPAN BLOCK 40" (M13, M14, M15, M16, M17, M18, M19, M20, M21, M22, M23, M24)	M17 -	GPG13481151AB	
NS	20496801	DRAIN CHANNEL, SUCTION TUBE	M18 -	GPG13481151AC	
			M19 -	GPG13600901BA	
			M20 -	GPG13600901BB	
			M21 -	GPG13601151BA	
			M22 -	GPG13601151BB	
			M23 -	GPG13601401BA	
			M24 -	GPG13601401BB	

# Basepan/Blower Assembly

Image 1

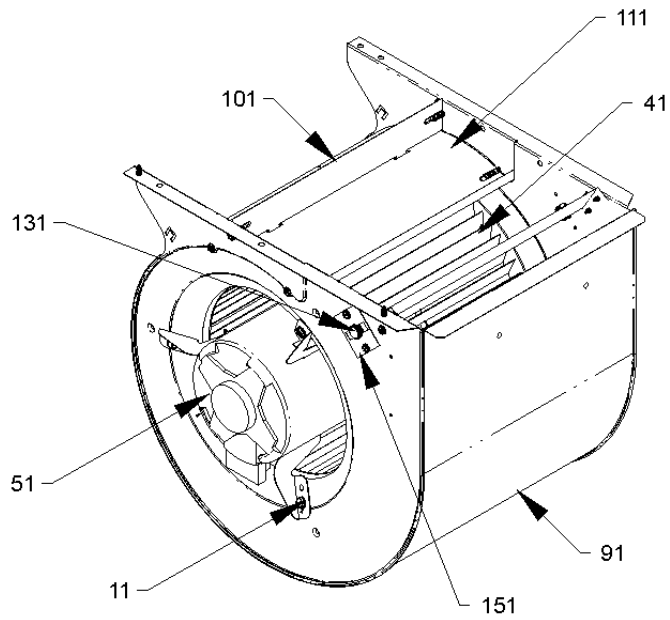
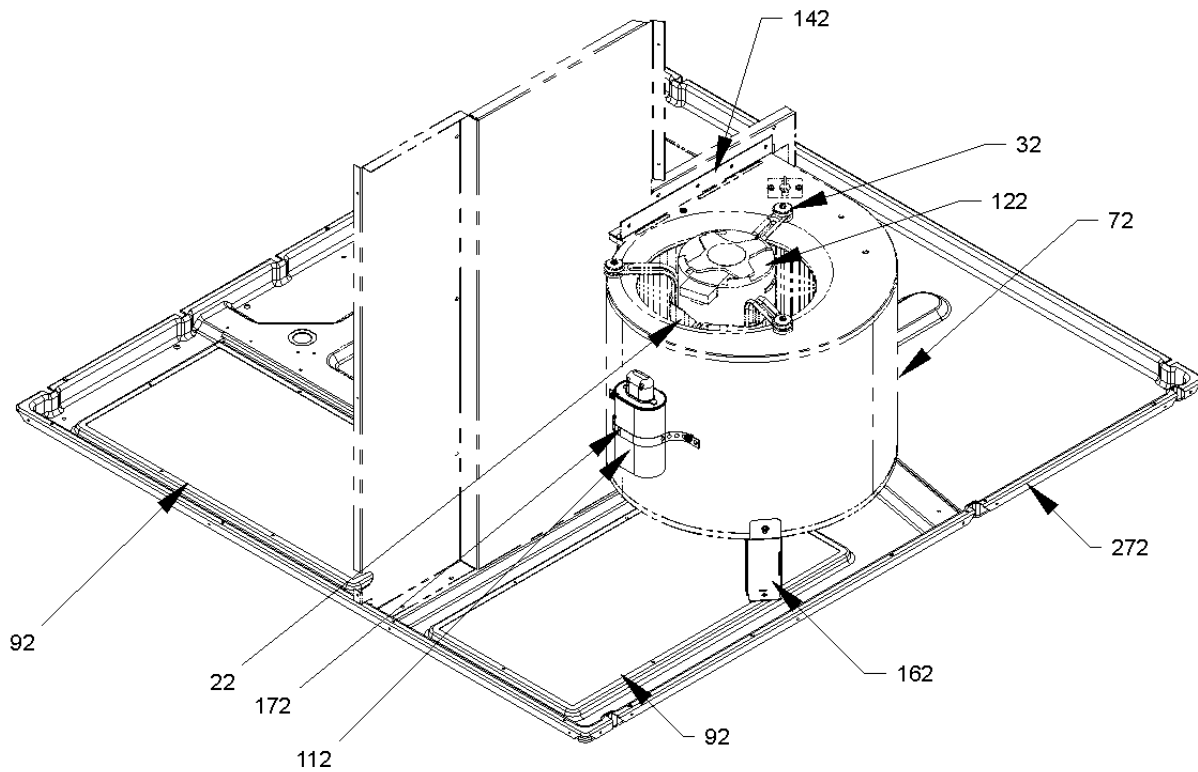


Image 2





# Basepan/Blower Assembly

Ref. Part No:	No:	Description:	Ref. Part No:	No:	Description:
<i>Image 1:</i>			NS	M0250565	TC SCREW 1.25" (M13, M14, M15, M16, M17, M18, M19, M20, M21, M22, M23, M24)
11	M0250558	TC SCREW (M1, M2, M3, M4, M5, M6, M7, M8, M9, M10, M11, M12)	Expanded Model Nomenclature		
41	D6723303S	BLOWER WHEEL (M10, M11, M12)	M1	-	GPG13240451BA
41	B1368016S	BLOWER WHEEL 10 X 8 (M5, M6, M7, M8, M9)	M2	-	GPG13240451CB
41	B1368058S	BLOWER WHEEL 10 X 8 (M1, M2, M3, M4)	M3	-	GPG13240701BA
51	11091202S	BLOWER MOTOR 1/3 HP, 3 SP, 6 PL (M5, M6, M7, M8, M9)	M4	-	GPG13240701CB
51	11091207S	BLOWER MOTOR 1/4 HP, 3 SP, 8 PL (M1, M2, M3, M4)	M5	-	GPG13300451AB
51	11091203S	COND MOTOR 1/3 HP, 3 SP, 6 PL (M10, M11, M12)	M6	-	GPG13300451AC
91	0271F00001PS	BLOWER HOUSING ASSY 10 X 8 (M1, M2, M3, M4)	M7	-	GPG13300451BB
91	0271G00025	BLOWER HOUSING ASSY 10 X 8 (M5, M6, M7, M8, M9)	M8	-	GPG13300701AB
91	0271G00024S	BLOWER HOUSING ASSY 10 X 9 (M10, M11, M12)	M9	-	GPG13300701BB
101	764742	BLOWER BLOCK-OFF (M10, M11, M12)	M10	-	GPG13360451AB
101	764740F	BLOWER CUT-OFF 10 X 8 (M1, M2, M3, M4, M5, M6, M7, M8, M9)	M11	-	GPG13360701AB
111	1864700F	BELT DRIVE BLOWER CUT-OFF (M13, M14, M15, M16, M17, M18, M19, M20, M21, M22, M23, M24)	M12	-	GPG13360901AB
131	20269903	AUXILIARY LIMIT, AUTO RESET	M13	-	GPG13480701AB
151	2509503F	AUXILIARY LIMIT BRACKET	M14	-	GPG13480701AC
NS	B1392143	GROMMET, 26TAL F/TORSIN FLEX (M1, M2, M3, M4, M5, M6, M7, M8, M9)	M15	-	GPG13480901AB
<i>Image 2:</i>			M16	-	GPG13480901AC
22	0121M00038	MOTOR MOUNT BAND (M13, M14, M15, M16, M17, M18, M19, M20, M21, M22, M23, M24)	M17	-	GPG13481151AB
32	B1376857	MOTOR MOUNT ARM (M13, M14, M15, M16, M17, M18, M19, M20, M21, M22, M23, M24)	M18	-	GPG13481151AC
72	2539309S	BLOWER HOUSING ASSY 11 X 10 (M13, M14, M15, M16, M17, M18, M19, M20, M21, M22, M23, M24)	M19	-	GPG13600901BA
92	0121G00148	SINGLE COVER, DOWN DISCHARGE (QTY 2)	M20	-	GPG13600901BB
112	CAP100000370VAS	CAPACITOR 10/370V [BLOWER] (M1, M2, M3, M4, M5, M6, M7, M8, M9, M10, M11, M12)	M21	-	GPG13601151BA
122	0231K00040	BLOWER MOTOR 1 HP PROGRAMMED X13 (M19, M20, M21, M22, M23, M24)	M22	-	GPG13601151BB
122	0231K00041	BLOWER MOTOR 3/4 HP PROGRAMMED X13 (M13, M14, M15, M16, M17, M18)	M23	-	GPG13601401BA
142	20463701	BLOWER MOUNTING 11 X 10 (M13, M14, M15, M16, M17, M18, M19, M20, M21, M22, M23, M24)	M24	-	GPG13601401BB
162	4322801	11 X 10 BLOWER SUPPORT LRG (M13, M14, M15, M16, M17, M18, M19, M20, M21, M22, M23, M24)			
172	20520901	CAPACITOR STRAP			
272	0121G00289	BASEPAN			
NS	B1368000S	BLOWER WHEEL 11 X 10 (M13, M14, M15, M16, M17, M18, M19, M20, M21, M22, M23, M24)			
NS	B821700	CAPACITOR BOOT (M1, M2, M3, M4, M5, M6, M7, M8, M9, M10, M11, M12)			
NS	B1393800	LOCKNUT, NYLON, INSERT 1/4, 20 (M13, M14, M15, M16, M17, M18, M19, M20, M21, M22, M23, M24)			
NS	B1393323	MACHINE SCREW HWH 1/4-20X1 1/2 BZ (M13, M14, M15, M16, M17, M18, M19, M20, M21, M22, M23, M24)			

# Compressor/Tubing Assembly

Image 1

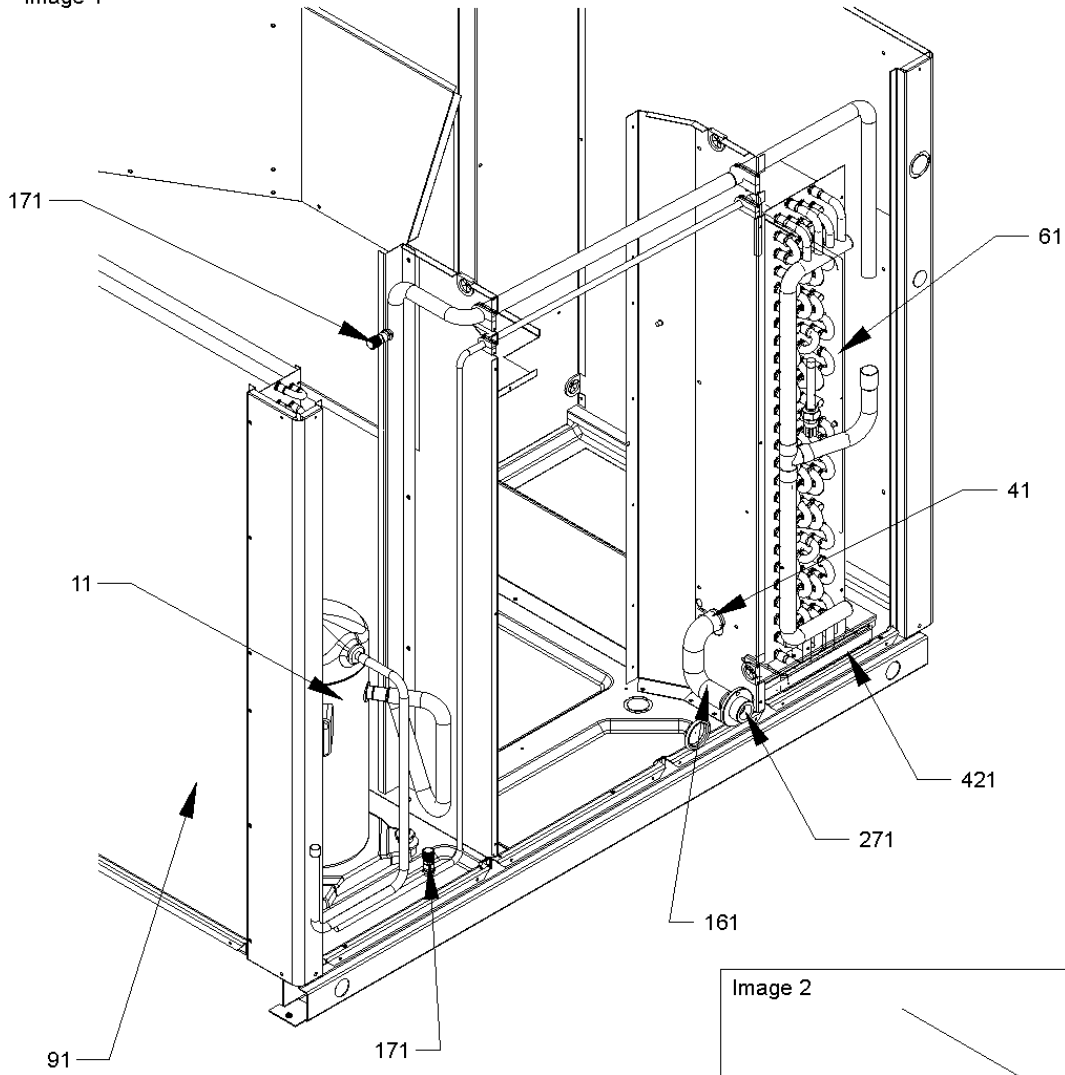
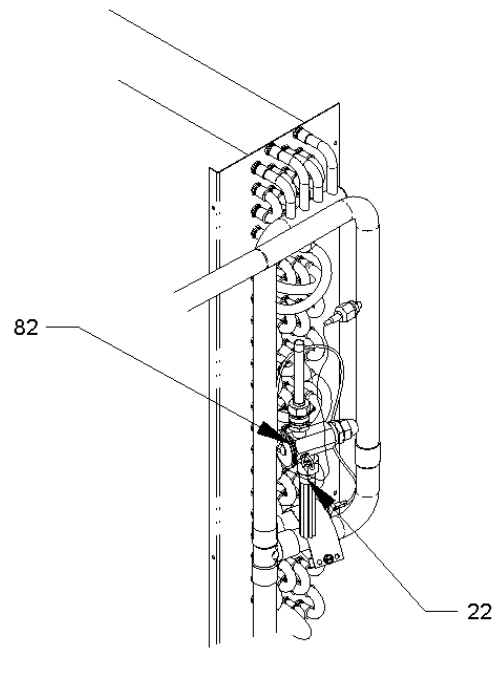


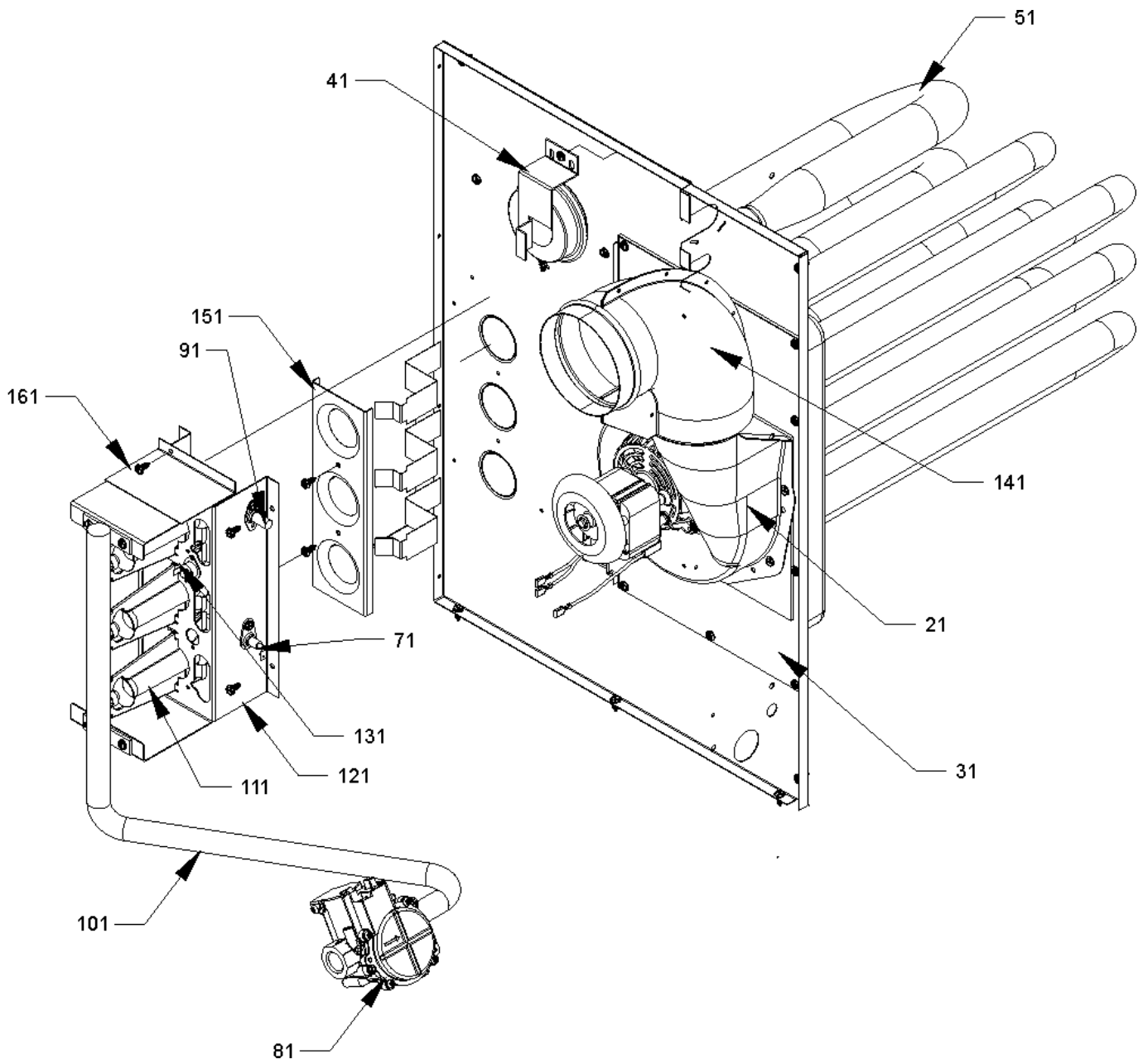
Image 2



# Compressor/Tubing Assembly

Ref. Part No:	No:	Description:	Ref. Part No:	No:	Description:
<i>Image 1:</i>			82	B1314871	FLOWRATOR .071 (M10, M11, M12)
11	CR19K7PFV970	COMPRESSOR 19300, 208/230/60/1 (M1, M3)	82	B1314880	FLOWRATOR .080 (M13, M14, M15, M16, M17, M18)
11	CR23K7PFV930	COMPRESSOR 22600, 208/230/60/1 (M5, M6, M8)	82	B1314800	FLOWRATOR [EVAP] (M19, M20, M21, M22, M23, M24)
11	CR28K7PFV930	COMPRESSOR 28300, 208/230/60/1 (M10, M11, M12)	<b>Expanded Model Nomenclature</b>		
11	ZR40K3PFV930	COMPRESSOR 40600, 208/230/60/1 (M13, M14, M15, M16, M17, M18)	<div style="border: 1px solid black; padding: 5px;"> M1 - GPG13240451BA  M2 - GPG13240451CB  M3 - GPG13240701BA  M4 - GPG13240701CB  M5 - GPG13300451AB  M6 - GPG13300451AC  M7 - GPG13300451BB  M8 - GPG13300701AB  M9 - GPG13300701BB  M10 - GPG13360451AB  M11 - GPG13360701AB  M12 - GPG13360901AB  M13 - GPG13480701AB  M14 - GPG13480701AC  M15 - GPG13480901AB  M16 - GPG13480901AC  M17 - GPG13481151AB  M18 - GPG13481151AC  M19 - GPG13600901BA  M20 - GPG13600901BB  M21 - GPG13601151BA  M22 - GPG13601151BB  M23 - GPG13601401BA  M24 - GPG13601401BB </div>		
11	ZR52K3PFV930	COMPRESSOR 52000, 208/230/60/1 (M19, M20, M21, M22, M23, M24)			
11	2J29S236B1AS	COMPRESSOR-PANASONIC (M2, M4)			
11	2J35S236C1AS	COMPRESSOR-PANASONIC (M7, M9)			
41	B1373305	ACCESS FITTING (M19, M20, M21, M22, M23, M24)			
41	B1373315	ACCESS FITTING (QTY 2)			
61	0202G00130S	TUBING ASSY, EVAP COIL (M2, M4)			
61	1262643	TUBING ASSY, EVAP COIL (M10, M11, M12)			
61	1262650	TUBING ASSY, EVAP COIL (M1, M3, M5, M6, M7, M8, M9)			
61	4303017S	TUBING ASSY, EVAP COIL (M13, M14, M15, M16, M17, M18)			
61	4303018S	TUBING ASSY, EVAP COIL (M19, M20, M21, M22, M23, M24)			
91	0201G00072S	TUBING ASSY, COND COIL (M19, M20, M21, M22, M23, M24)			
91	1262524	TUBING ASSY, COND COIL (M1, M2, M3, M4, M5, M6, M7, M8, M9)			
91	1262528	TUBING ASSY, COND COIL (M10, M11, M12)			
91	1262529	TUBING ASSY, COND COIL (M13, M14, M15, M16, M17, M18)			
161	20498302	DRAIN TUBE 32" (M1, M2, M3, M4, M5, M6, M7, M8, M9, M10, M11, M12)			
161	20498301	DRAIN TUBE 40" (M13, M14, M15, M16, M17, M18, M19, M20, M21, M22, M23, M24)			
171	B9102097	CAP W/O-RING (QTY 2)			
271	20513001	EVAP DRAIN FITTING			
421	20464901	DRIP PAN, EVAP COIL			
NS	B1339530	COMPRESSOR GROMMET (M1, M2, M3, M4, M5, M6, M7, M8, M9, M10, M11, M12)			
NS	B1339533	COMPRESSOR GROMMET (M13, M14, M15, M16, M17, M18, M19, M20, M21, M22, M23, M24)			
NS	4322800	EVAP DRIP SHIELD			
NS	B1810011	HOSE CLAMP 1.25 (QTY 2)			
NS	B1219212	SINGLE-FLOW FILTER DRIER, STEEL (M1, M3, M5, M6, M8, M10, M11, M12)			
NS	B1219225	SINGLE-FLOW FILTER DRIER, STEEL (M13, M14, M15, M16, M17, M18, M19, M20, M21, M22, M23, M24)			
NS	M0221641	TF SHOULDER SCREW (QTY 4)			
<i>Image 2:</i>					
22	B3232219	EXPANSION VALVE (M19, M20, M21, M22, M23, M24)			
82	B1314659	FLOWRATOR .059 (M1, M3)			
82	B1314461	FLOWRATOR .061 (M2, M4)			
82	B1314668	FLOWRATOR .068 (M5, M6, M7, M8, M9)			

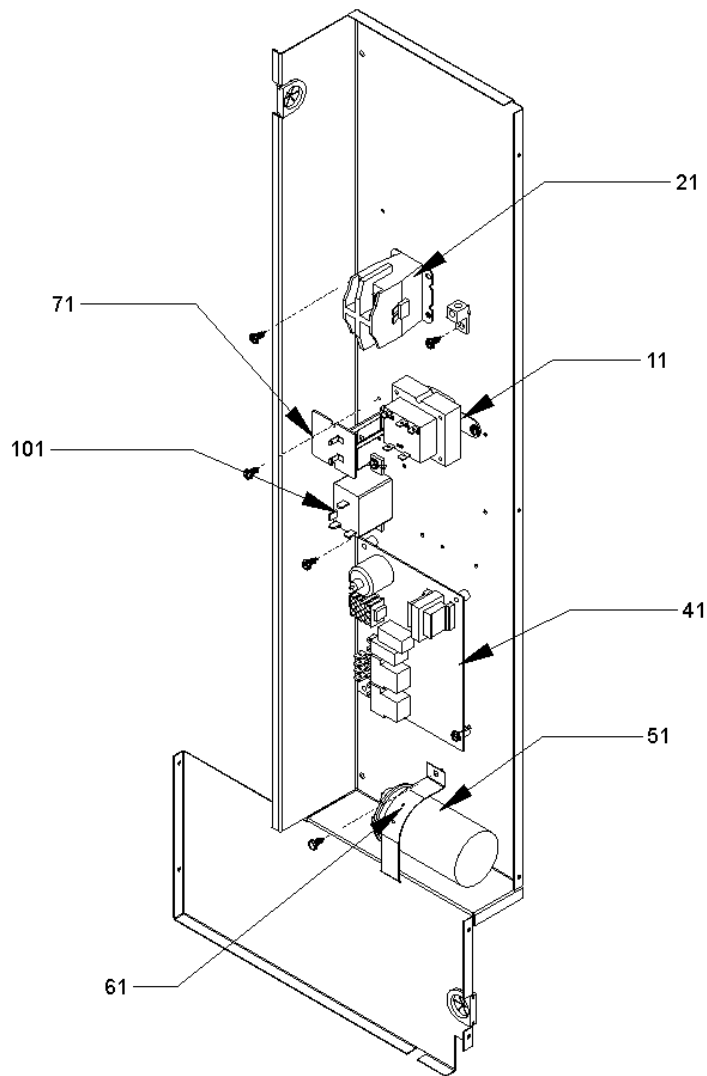
# Heat Exchanger/Manifold/Gas Valve



# Heat Exchanger/Manifold/Gas Valve

Ref. Part No:	Part No:	Description:	Ref. Part No:	Part No:	Description:																								
<i>Image 1:</i>			161	11190202	HEAT DEFLECTOR																								
21	0131G00000PS	ID BLOWER	NS	20463001	ID BLOWER PLATE GASKET LRG (M13, M14, M15, M16, M17, M18, M19, M20, M21, M22, M23, M24)																								
31	20463204	ID BLOWER PLATE (M13, M14)	NS	20462801	ID BLOWER PLATE GASKET SML (M1, M2, M3, M4, M5, M6, M7, M8, M9, M10, M11, M12)																								
31	20463103	ID BLOWER PLATE LRG 4 BRNR (M12)	NS	10716003	ORIFICE (QTY AR)																								
31	20463201	ID BLOWER PLATE LRG 4 BRNR (M15, M16, M19, M20)	NS	A3468601	PRESSURE SWITCH HOSE																								
31	20463202	ID BLOWER PLATE LRG 5 BRNR (M17, M18, M21, M22)	<b>Expanded Model Nomenclature</b>																										
31	20463203	ID BLOWER PLATE LRG 6 BRNR (M23, M24)	<table border="1"> <tr><td>M1 - GPG13240451BA</td></tr> <tr><td>M2 - GPG13240451CB</td></tr> <tr><td>M3 - GPG13240701BA</td></tr> <tr><td>M4 - GPG13240701CB</td></tr> <tr><td>M5 - GPG13300451AB</td></tr> <tr><td>M6 - GPG13300451AC</td></tr> <tr><td>M7 - GPG13300451BB</td></tr> <tr><td>M8 - GPG13300701AB</td></tr> <tr><td>M9 - GPG13300701BB</td></tr> <tr><td>M10 - GPG13360451AB</td></tr> <tr><td>M11 - GPG13360701AB</td></tr> <tr><td>M12 - GPG13360901AB</td></tr> <tr><td>M13 - GPG13480701AB</td></tr> <tr><td>M14 - GPG13480701AC</td></tr> <tr><td>M15 - GPG13480901AB</td></tr> <tr><td>M16 - GPG13480901AC</td></tr> <tr><td>M17 - GPG13481151AB</td></tr> <tr><td>M18 - GPG13481151AC</td></tr> <tr><td>M19 - GPG13600901BA</td></tr> <tr><td>M20 - GPG13600901BB</td></tr> <tr><td>M21 - GPG13601151BA</td></tr> <tr><td>M22 - GPG13601151BB</td></tr> <tr><td>M23 - GPG13601401BA</td></tr> <tr><td>M24 - GPG13601401BB</td></tr> </table>			M1 - GPG13240451BA	M2 - GPG13240451CB	M3 - GPG13240701BA	M4 - GPG13240701CB	M5 - GPG13300451AB	M6 - GPG13300451AC	M7 - GPG13300451BB	M8 - GPG13300701AB	M9 - GPG13300701BB	M10 - GPG13360451AB	M11 - GPG13360701AB	M12 - GPG13360901AB	M13 - GPG13480701AB	M14 - GPG13480701AC	M15 - GPG13480901AB	M16 - GPG13480901AC	M17 - GPG13481151AB	M18 - GPG13481151AC	M19 - GPG13600901BA	M20 - GPG13600901BB	M21 - GPG13601151BA	M22 - GPG13601151BB	M23 - GPG13601401BA	M24 - GPG13601401BB
M1 - GPG13240451BA																													
M2 - GPG13240451CB																													
M3 - GPG13240701BA																													
M4 - GPG13240701CB																													
M5 - GPG13300451AB																													
M6 - GPG13300451AC																													
M7 - GPG13300451BB																													
M8 - GPG13300701AB																													
M9 - GPG13300701BB																													
M10 - GPG13360451AB																													
M11 - GPG13360701AB																													
M12 - GPG13360901AB																													
M13 - GPG13480701AB																													
M14 - GPG13480701AC																													
M15 - GPG13480901AB																													
M16 - GPG13480901AC																													
M17 - GPG13481151AB																													
M18 - GPG13481151AC																													
M19 - GPG13600901BA																													
M20 - GPG13600901BB																													
M21 - GPG13601151BA																													
M22 - GPG13601151BB																													
M23 - GPG13601401BA																													
M24 - GPG13601401BB																													
31	20463101	ID BLOWER PLATE SML 2 BRNR (M1, M2, M5, M6, M7, M10)																											
31	20463102	ID BLOWER PLATE SML 3 BRNR (M3, M4, M8, M9, M11)																											
41	11112501S	PRESSURE SWITCH																											
51	4305020	HEAT EXCHANGER ASSY (M3, M4, M8, M9, M11)																											
51	4305021	HEAT EXCHANGER ASSY (M1, M2, M5, M6, M7, M10)																											
51	4305024	HEAT EXCHANGER ASSY (M13, M14)																											
51	4305011	HEAT EXCHANGER ASSY 4B (LRG-12) (M15, M16, M19, M20)																											
51	4305008S	HEAT EXCHANGER ASSY 4B (MED-12) (M12)																											
51	4305012	HEAT EXCHANGER ASSY 5B (LRG-12) (M17, M18, M21, M22)																											
51	4305006	HEAT EXCHANGER ASSY 6B LRG (M23, M24)																											
71	20261709S	IGNITOR																											
81	B1282628	GAS VALVE (36G)																											
91	0130F00010	FLAME SENSOR																											
101	0121M00035P	MANIFOLD - 2 BRNR (M1, M2, M5, M6, M7, M10)																											
101	0121M00036P	MANIFOLD - 3 BRNR (M13, M14)																											
101	20493103	MANIFOLD - 3 BRNR (M3, M4, M8, M9, M11)																											
101	20493104	MANIFOLD - 4 BRNR (M12)																											
101	20493105	MANIFOLD - 4 BRNR (M15, M16, M19, M20)																											
101	20493106	MANIFOLD- 5 BRNR 38" (M17, M18, M21, M22)																											
101	20493107	MANIFOLD- 6 BRNR 38" (M23, M24)																											
111	10735102S	BECKETT BURNER (QTY 2)																											
121	20190415	BURNER BRACKET 2B (M1, M2, M5, M6, M7, M10)																											
121	20190411	BURNER BRACKET 3B (M3, M4, M8, M9, M11, M13, M14)																											
121	20190412	BURNER BRACKET 4B (M12, M15, M16, M19, M20)																											
121	20190413	BURNER BRACKET 5B (M17, M18, M21, M22)																											
121	20190414	BURNER BRACKET 6B (M23, M24)																											
131	10123529	MANUAL RESET LIMIT																											
141	20484401W	FLUE ELBOW LEFT																											
141	20484402W	FLUE ELBOW RIGHT																											
151	11072201	ORIFICE SHIELD (M1, M2, M5, M6, M7, M10)																											
151	11072202	ORIFICE SHIELD (M3, M4, M8, M9, M11, M13, M14)																											
151	11072203	ORIFICE SHIELD (M12, M15, M16, M19, M20)																											
151	11072204	ORIFICE SHIELD (M17, M18, M21, M22)																											
151	11072205	ORIFICE SHIELD (M23, M24)																											

# Control Panel



# Control Panel

Ref. Part No:	No:	Description:	Ref. Part No:	No:	Description:
<i>Image 1:</i>			Expanded Model Nomenclature		
11	B1141643	TRANSFORMER 208/230, 24V	M1	-	GPG13240451BA
21	CONT1P030024VS	CONTACTOR 30 AMP, 1P, 24V (M13, M14, M15, M16, M17, M18, M19, M20, M21, M22, M23, M24)	M2	-	GPG13240451CB
21	CONT2P030024VS	CONTACTOR 30 AMP, 2P, 24V (M1, M2, M3, M4, M5, M6, M7, M8, M9, M10, M11, M12)	M3	-	GPG13240701BA
41	PCBAG123S	IGNITION BOARD, DSI INTEGRATED (QTY -1)	M4	-	GPG13240701CB
51	CAP050300370RSS	CAPACITOR 5/30/370V [CONTROL BOX] (M1, M3)	M5	-	GPG13300451AB
51	CAP050350440RSS	CAPACITOR 5/35/440V [CONTROL BOX] (M10, M11, M12)	M6	-	GPG13300451AC
51	CAP050400370RSS	CAPACITOR 5/40/370V [CONTROL BOX] (M5, M6, M8)	M7	-	GPG13300451BB
51	CAP050450370RSS	CAPACITOR 5/45/370V [CONTROL BOX] (M2, M4)	M8	-	GPG13300701AB
51	CAP050600370RTS	CAPACITOR 5/60/370V [CONTROL BOX] (M7, M9, M13, M14, M15, M16, M17, M18)	M9	-	GPG13300701BB
51	CAP050800370RTS	CAPACITOR 5/80/370V [CONTROL BOX] (M19, M20, M21, M22, M23, M24)	M10	-	GPG13360451AB
61	20520901	CAPACITOR STRAP	M11	-	GPG13360701AB
71	10728342	LIMIT SWITCH (M1, M2, M3, M4, M5, M6, M7, M8, M9)	M12	-	GPG13360901AB
71	10728343	LIMIT SWITCH (M10, M11, M12, M23, M24)	M13	-	GPG13480701AB
71	10728344	LIMIT SWITCH (M13, M14, M15, M16, M17, M18, M19, M20, M21, M22)	M14	-	GPG13480701AC
101	0130M00025S	24V RELAY (M13, M14, M15, M16, M17, M18, M19, M20, M21, M22, M23, M24)	M15	-	GPG13480901AB
NS	0259G00045	12-PIN MALE PLUG ASSY (M13, M14, M15, M16, M17, M18, M19, M20, M21, M22, M23, M24)	M16	-	GPG13480901AC
NS	4368400	12-PIN MALE PLUG ASSY (M1, M2, M3, M4, M5, M6, M7, M8, M9, M10, M11, M12)	M17	-	GPG13481151AB
NS	0259G00009	BLOWER HARNESS (M1, M2, M3, M4, M5, M6, M7, M8, M9, M10, M11, M12)	M18	-	GPG13481151AC
NS	0259G00023	BLOWER HARNESS (M13, M14, M15, M16, M17, M18, M19, M20, M21, M22, M23, M24)	M19	-	GPG13600901BA
NS	0259G00024	CONTROL HARNESS (M19, M20, M21, M22, M23, M24)	M20	-	GPG13600901BB
NS	0259G00046	CONTROL HARNESS (M5, M6, M7, M8, M9)	M21	-	GPG13601151BA
NS	0259G00049	CONTROL HARNESS (M13, M14, M15, M16, M17, M18)	M22	-	GPG13601151BB
NS	0259G00077	CONTROL HARNESS (M1, M2, M3, M4, M10, M11, M12)	M23	-	GPG13601401BA
NS	4368403	FEMALE PLUG ASSY (M13, M14, M15, M16, M17, M18, M19, M20, M21, M22, M23, M24)	M24	-	GPG13601401BB

