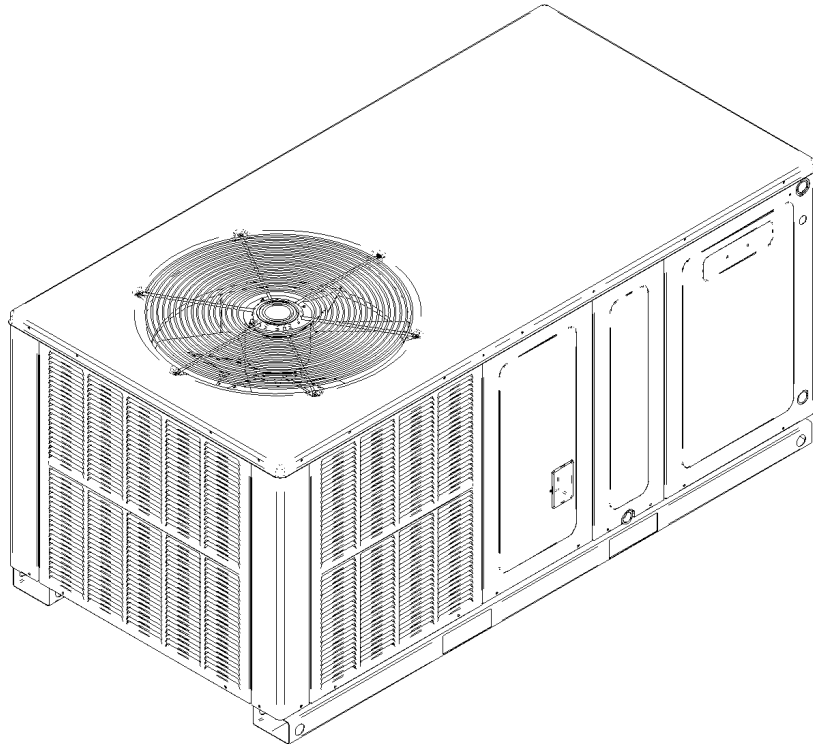


REPAIR PARTS

GPC 13 SEER H-SERIES Package Coolers

GPC1324H21AB
GPC1324H21AC
GPC1324H21AD
GPC1324H21A
GPC1330H21AB
GPC1330H21AC
GPC1330H21AD
GPC1330H21AE
GPC1330H21A
GPC1336H21AB
GPC1336H21AC
GPC1336H21AD
GPC1336H21A
GPC1342H21AB
GPC1342H21AC
GPC1342H21AD
GPC1342H21A
GPC1348H21AB
GPC1348H21BA
GPC1348H21BB
GPC1348H21BC
GPC1348H21A
GPC1360H21AA
GPC1360H21AB
GPC1360H21AC
GPC1360H21AD
GPC1360H21A



This manual is to be used by qualified technicians only.

This manual replaces RP-360G.

© 2005-2007, 2009 Goodman Manufacturing Company, L.P. ♦ 5151 San Felipe, Suite 500 ♦ Houston, TX 77056

Important Information

Index

Functional Parts List	3
Illustration and Parts	4 - 13

Views shown are for parts illustrations only, not servicing procedures.

Rev. H: Added models GPC1324H21AD, GPC1330H21AE, GPC1348H21BC, and GPC1360H21AD.

Text Codes:

AR - As Required

NA - Not Available

NS - Not Shown

00000000 - See Note

QTY - Quantity Example (QTY 3) (If Quantity not shown, Quantity = 1)

M - Model Example (M1) (If M Code not shown, then part is used on all Models)

Expanded Model Nomenclature:

Example M1 - Model#1 M2 - Model#2 M3 - Model#3

Goodman Manufacturing Company, L.P. is not responsible for personal injury or property damage resulting from improper service. Review all service information before beginning repairs.

Warranty service must be performed by an authorized technician, using authorized factory parts. If service is required after the warranty expires, Goodman Manufacturing Company, L.P. also recommends contacting an authorized technician and using authorized factory parts.

Goodman Manufacturing Company, L.P. reserves the right to discontinue, or change at any time, specifications or designs without notice or without incurring obligations.

For assistance within the U.S.A. contact:
Consumer Affairs Department
Goodman Manufacturing Company, L.P.
7401 Security Way
Houston, Texas 77040
877-254-4729-Telephone
713-863-2382-Facsimile

For assistance outside the U.S.A. contact:
International Division
Goodman Manufacturing Company, L.P.
7401 Security Way
Houston, Texas 77040
713-861-2500-Telephone
713-863-2382-Facsimile

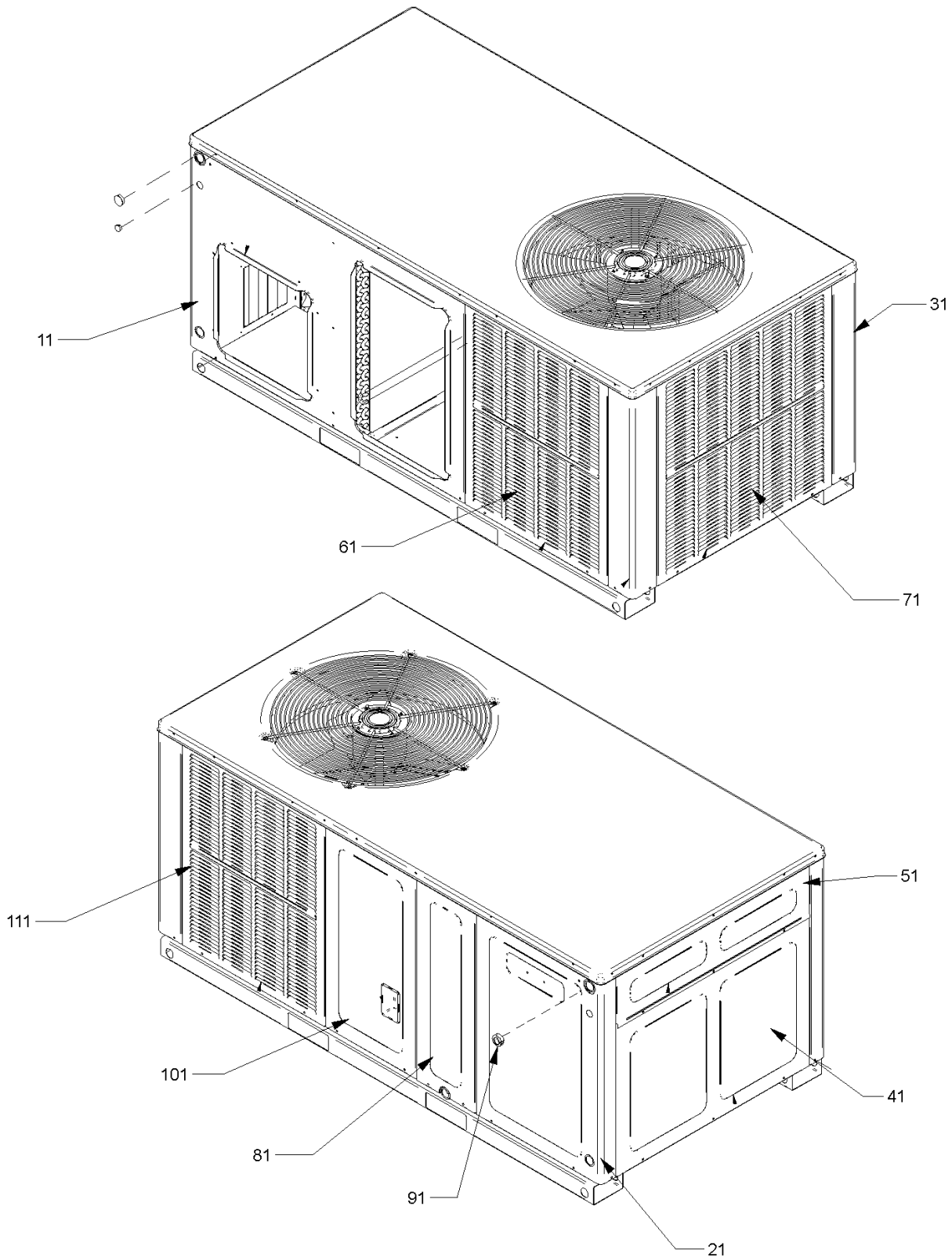
Functional Parts

Part

No: Description:

Part No:	Description:	Part No:	Description:																											
0130M00014	240 VOLT RELAY (M1, M2, M3, M5, M6, M7, M8, M10, M11, M12, M14, M15, M16, M18, M19, M20, M21)	CONT2P030024VS	CONTACTOR 30 AMP, 2P, 24V (M14, M15, M16, M17, M18, M19, M20, M21, M22)																											
0130M00025S	24V RELAY (M23, M27)	CONT2P040024VS	CONTACTOR 40 AMP, 2P, 24V (M23, M24, M25, M26, M27)																											
0131M00010PS	BLOWER MOTOR 1/2 HP, 3 SP, 8 PL (M14, M15, M16, M17, M18, M19, M20, M21, M22)	B1141643	TRANSFORMER 208/230, 24V																											
11091202S	BLOWER MOTOR 1/3 HP, 3 SP, 6 PL (M5, M6, M7, M8, M9, M10, M11, M12, M13)	SPECIAL PARTS																												
11091207S	BLOWER MOTOR 1/4 HP, 3 SP, 8 PL (M1, M2, M3, M4)	CR19K7PFV930	COMPRESSOR 19300, 208/230/60/1 (M1, M2, M3, M4)																											
0231K00039	BLOWER MOTOR 3/4 HP PROGRAMMED X13 (M23, M27)	B10259251	LABEL, GOODMAN																											
0231K00042	BLOWER MOTOR 3/4 HP PROGRAMMED X13 (M24, M25, M26)	RP-560H	REPAIR PARTS MANUAL																											
PCBFM103S	BOARD, ELECTRONIC BLOWER TIME DELAY RELAY (M1, M2, M3, M4, M5, M6, M7, M8, M9, M10, M11, M12, M13, M14, M15, M16, M17, M18, M19, M20, M21, M22)	B1757910	SUPPLEMENTAL INSERT (EBTDR)																											
CAP100000370VAS	CAPACITOR 10/370V [BLOWER] (M1, M2, M3, M4, M5, M6, M7, M8, M9, M10, M11, M12, M13)	Expanded Model Nomenclature																												
CAP150000370VAS	CAPACITOR 15/370V [BLOWER] (M14, M15, M16, M17, M18, M19, M20, M21, M22)	<table border="1"> <tr><td>M1 - GPC1324H21AB</td></tr> <tr><td>M2 - GPC1324H21AC</td></tr> <tr><td>M3 - GPC1324H21AD</td></tr> <tr><td>M4 - GPC1324H21A</td></tr> <tr><td>M5 - GPC1330H21AB</td></tr> <tr><td>M6 - GPC1330H21AC</td></tr> <tr><td>M7 - GPC1330H21AD</td></tr> <tr><td>M8 - GPC1330H21AE</td></tr> <tr><td>M9 - GPC1330H21A</td></tr> <tr><td>M10 - GPC1336H21AB</td></tr> <tr><td>M11 - GPC1336H21AC</td></tr> <tr><td>M12 - GPC1336H21AD</td></tr> <tr><td>M13 - GPC1336H21A</td></tr> <tr><td>M14 - GPC1342H21AB</td></tr> <tr><td>M15 - GPC1342H21AC</td></tr> <tr><td>M16 - GPC1342H21AD</td></tr> <tr><td>M17 - GPC1342H21A</td></tr> <tr><td>M18 - GPC1348H21AB</td></tr> <tr><td>M19 - GPC1348H21BA</td></tr> <tr><td>M20 - GPC1348H21BB</td></tr> <tr><td>M21 - GPC1348H21BC</td></tr> <tr><td>M22 - GPC1348H21A</td></tr> <tr><td>M23 - GPC1360H21AA</td></tr> <tr><td>M24 - GPC1360H21AB</td></tr> <tr><td>M25 - GPC1360H21AC</td></tr> <tr><td>M26 - GPC1360H21AD</td></tr> <tr><td>M27 - GPC1360H21A</td></tr> </table>		M1 - GPC1324H21AB	M2 - GPC1324H21AC	M3 - GPC1324H21AD	M4 - GPC1324H21A	M5 - GPC1330H21AB	M6 - GPC1330H21AC	M7 - GPC1330H21AD	M8 - GPC1330H21AE	M9 - GPC1330H21A	M10 - GPC1336H21AB	M11 - GPC1336H21AC	M12 - GPC1336H21AD	M13 - GPC1336H21A	M14 - GPC1342H21AB	M15 - GPC1342H21AC	M16 - GPC1342H21AD	M17 - GPC1342H21A	M18 - GPC1348H21AB	M19 - GPC1348H21BA	M20 - GPC1348H21BB	M21 - GPC1348H21BC	M22 - GPC1348H21A	M23 - GPC1360H21AA	M24 - GPC1360H21AB	M25 - GPC1360H21AC	M26 - GPC1360H21AD	M27 - GPC1360H21A
M1 - GPC1324H21AB																														
M2 - GPC1324H21AC																														
M3 - GPC1324H21AD																														
M4 - GPC1324H21A																														
M5 - GPC1330H21AB																														
M6 - GPC1330H21AC																														
M7 - GPC1330H21AD																														
M8 - GPC1330H21AE																														
M9 - GPC1330H21A																														
M10 - GPC1336H21AB																														
M11 - GPC1336H21AC																														
M12 - GPC1336H21AD																														
M13 - GPC1336H21A																														
M14 - GPC1342H21AB																														
M15 - GPC1342H21AC																														
M16 - GPC1342H21AD																														
M17 - GPC1342H21A																														
M18 - GPC1348H21AB																														
M19 - GPC1348H21BA																														
M20 - GPC1348H21BB																														
M21 - GPC1348H21BC																														
M22 - GPC1348H21A																														
M23 - GPC1360H21AA																														
M24 - GPC1360H21AB																														
M25 - GPC1360H21AC																														
M26 - GPC1360H21AD																														
M27 - GPC1360H21A																														
CAP050300370RSS	CAPACITOR 5/30/370V [CONTROL BOX] (M1, M2, M3, M4, M14, M15)																													
CAP050350440RSS	CAPACITOR 5/35/440V [CONTROL BOX] (M10, M11, M12, M13)																													
CAP050400370RSS	CAPACITOR 5/40/370V [CONTROL BOX] (M9)																													
CAP050400370RSS	CAPACITOR 5/40/370V [CONTROL BOX] (M5, M6, M7, M8)																													
CAP050500440RTS	CAPACITOR 5/50/440V [CONTROL BOX] (M16, M17)																													
CAP050550440RTS	CAPACITOR 5/55/440V [CONTROL BOX] (M18, M19, M20, M21, M22)																													
CAP050800440RTS	CAPACITOR 5/80/440V [CONTROL BOX] (M23, M24, M25, M26, M27)																													
CR23K7PFV930	COMPRESSOR 22600, 208/230/60/1 (M5, M6, M7, M8, M9)																													
CR28K7PFV930	COMPRESSOR 28300, 208/230/60/1 (M10, M11, M12, M13)																													
ZR36K3PFV930	COMPRESSOR 36900, 208/230/60/1 (M14, M15, M16, M17)																													
ZR40K3PFV930	COMPRESSOR 40600, 208/230/60/1 (M18, M19, M20, M21, M22)																													
ZR52K3PFV930	COMPRESSOR 52000, 208/230/60/1 (M23, M24, M25, M26, M27)																													
0131M00008PS	COND MOTOR 1/3 HP, 1 SP, 6 PL (M18, M19, M20, M22, M23, M24, M25, M27)																													
0131M00007PS	COND MOTOR 1/4 HP, 1 SP, 6 PL (M5, M9, M10, M13, M14, M17, M21, M26)																													
0131M00014PS	COND MOTOR 1/4 HP, 1 SP, 8 PL (M6, M7, M8, M11, M12, M15, M16)																													
0131M00009PS	COND MOTOR 1/6 HP, 1 SP, 8 PL (M1, M2, M3, M4)																													
CONT2P025024VS	CONTACTOR 25 AMP, 2P, 24V (M1, M2, M3, M4, M5, M6, M7, M8, M9, M10, M11, M12, M13)																													

Cabinet



Cabinet

Ref. Part No:	No:	Description:	Ref. Part No:	No:	Description:
<i>Image 1:</i>			<i>Image 1:</i>		
11	0270G00008PS	INSULATED ASSY, DUCT PANEL 27.5" (M1, M2, M3, M4, M5, M6, M7, M8, M9, M10, M11, M12, M13)	101	0121G00060PDG	COMPRESSOR PANEL 8.75" X 32.50" (M14, M15, M16, M17)
11	0270G00009PS	INSULATED ASSY, DUCT PANEL 32.5" (M14, M15, M16, M17)	101	0121G00087PDG	COMPRESSOR PANEL 8.75" X 36" (M19, M20, M21, M23, M24, M25, M26, M27)
11	0270G00010PS	INSULATED ASSY, DUCT PANEL 36" (M18, M19, M20, M21, M22, M23, M24, M25, M26, M27)	111	0121G00069PDG	LOUVERED PANEL 4 BANK 27.5" (M1, M2, M3, M4, M5, M6, M7, M8, M9)
21	0270G00011PS	INSULATED ASSY, CORNER PANEL 27.5" (M1, M2, M3, M4, M5, M6, M7, M8, M9, M10, M11, M12, M13)	111	0121G00090PDG	LOUVERED PANEL 4 BANK 36" (M18, M22)
21	0270G00012PS	INSULATED ASSY, CORNER PANEL 32.5" (M14, M15, M16, M17)	111	0121G00072PDGS	LOUVERED PANEL 5 BANK 27.5" (M10, M11, M12, M13)
21	0270G00013PS	INSULATED ASSY, CORNER PANEL 36" (M18, M19, M20, M21, M22, M23, M24, M25, M26, M27)	111	0121G00073PDG	LOUVERED PANEL 5 BANK 32.5" (M14, M15, M16, M17)
31	0121G00047PDG	CORNER POST 27.5" [QTY 2] (M1, M2, M3, M4, M5, M6, M7, M8, M9, M10, M11, M12, M13)	111	0121G00091PDG	LOUVERED PANEL 5 BANK 36" (M19, M20, M21, M23, M24, M25, M26, M27)
31	0121G00048PDG	CORNER POST 32.5" [QTY 2] (M14, M15, M16, M17)	NS	B10259251	LABEL, GOODMAN
31	0121G00082PDGS	CORNER POST 36" [QTY 2] (M18, M19, M20, M21, M22, M23, M24, M25, M26, M27)	Expanded Model Nomenclature		
41	0270G00113S	INSULATED ASSY, BLOWER DOOR 27.5" (M1, M2, M3, M4, M5, M6, M7, M8, M9, M10, M11, M12, M13)	<div style="border: 1px solid black; padding: 5px;"> M1 - GPC1324H21AB M2 - GPC1324H21AC M3 - GPC1324H21AD M4 - GPC1324H21A M5 - GPC1330H21AB M6 - GPC1330H21AC M7 - GPC1330H21AD M8 - GPC1330H21AE M9 - GPC1330H21A M10 - GPC1336H21AB M11 - GPC1336H21AC M12 - GPC1336H21AD M13 - GPC1336H21A M14 - GPC1342H21AB M15 - GPC1342H21AC M16 - GPC1342H21AD M17 - GPC1342H21A M18 - GPC1348H21AB M19 - GPC1348H21BA M20 - GPC1348H21BB M21 - GPC1348H21BC M22 - GPC1348H21A M23 - GPC1360H21AA M24 - GPC1360H21AB M25 - GPC1360H21AC M26 - GPC1360H21AD M27 - GPC1360H21A </div>		
41	0270G00114S	INSULATED ASSY, BLOWER DOOR 32.5" (M14, M15, M16, M17)			
41	0270G00115S	INSULATED ASSY, BLOWER DOOR 36" (M18, M19, M20, M21, M22, M23, M24, M25, M26, M27)			
51	0121G00276DG	EXTERNAL CONTROL BOX PANEL			
61	0121G00069PDG	LOUVERED PANEL 4 BANK 27.5" (M10, M11, M12, M13)			
61	0121G00069PDG	LOUVERED PANEL 4 BANK 27.5" (M1, M2, M3, M4, M5, M6, M7, M8, M9)			
61	0121G00070PDGS	LOUVERED PANEL 4 BANK 32.5" (M14, M15, M16, M17)			
61	0121G00090PDG	LOUVERED PANEL 4 BANK 36" (M19, M20, M21, M23, M24, M25, M26, M27)			
61	0121G00090PDG	LOUVERED PANEL 4 BANK 36" (M18, M22)			
71	0121G00072PDGS	LOUVERED PANEL 5 BANK 27.5" (M1, M2, M3, M4, M5, M6, M7, M8, M9)			
71	0121G00072PDGS	LOUVERED PANEL 5 BANK 27.5" (M10, M11, M12, M13)			
71	0121G00073PDG	LOUVERED PANEL 5 BANK 32.5" (M14, M15, M16, M17)			
71	0121G00091PDG	LOUVERED PANEL 5 BANK 36" (M19, M20, M21, M23, M24, M25, M26, M27)			
71	0121G00091PDG	LOUVERED PANEL 5 BANK 36" (M18, M22)			
81	0270G00017PS	INSULATED ASSY, EVAP PANEL 27.5" (M1, M2, M3, M4, M5, M6, M7, M8, M9, M10, M11, M12, M13)			
81	0270G00018PS	INSULATED ASSY, EVAP PANEL 32.5" (M14, M15, M16, M17)			
81	0270G00019PS	INSULATED ASSY, EVAP PANEL 36" (M18, M19, M20, M21, M22, M23, M24, M25, M26, M27)			
91	B1392012	GROMMET / HS 1.0 - .79			
101	0121G00062PDG	COMPRESSOR PANEL 13.68" X 27.50" (M1, M2, M3, M4, M5, M6, M7, M8, M9)			
101	0121G00088PDG	COMPRESSOR PANEL 13.68" X 36" (M18, M22)			
101	0121G00059PDGS	COMPRESSOR PANEL 8.75" X 27.50" (M10, M11, M12, M13)			

Chassis

Image 1

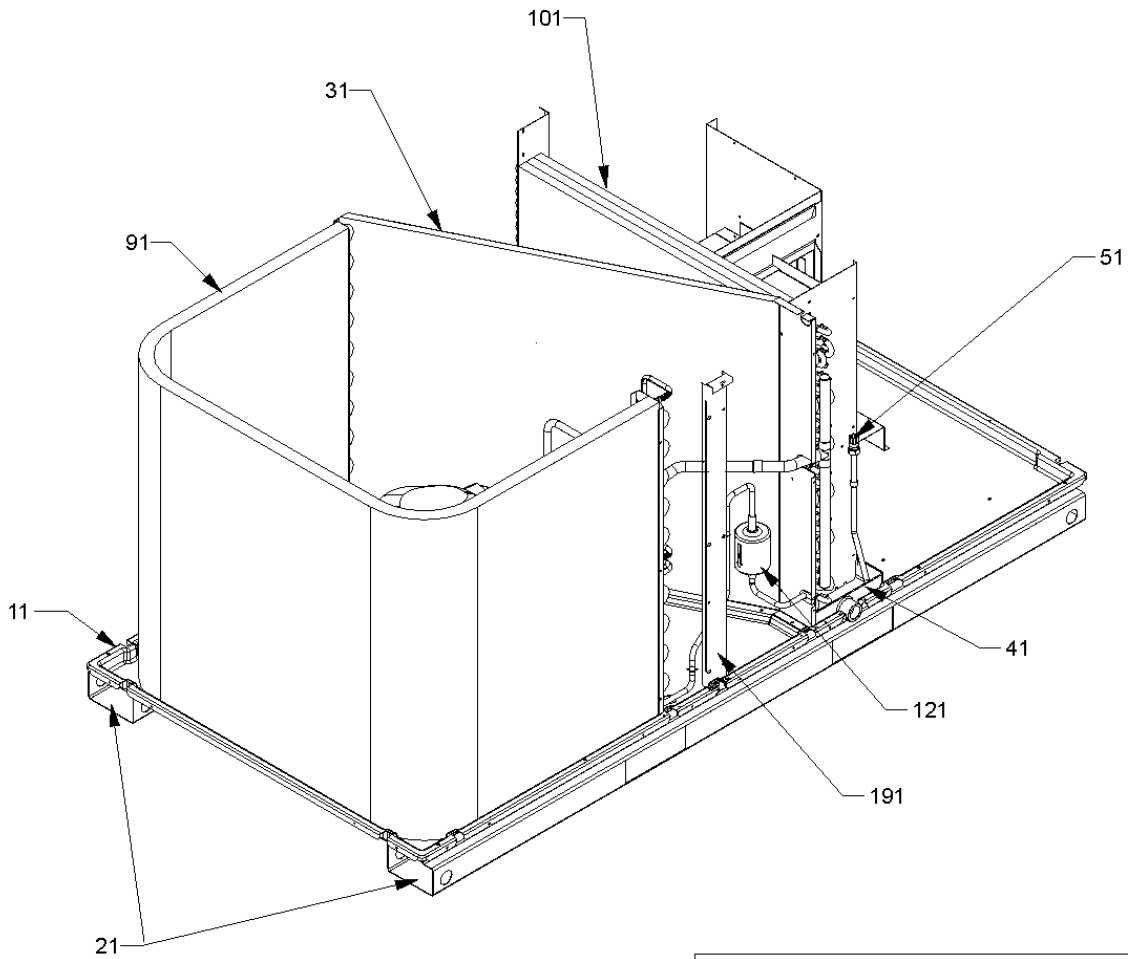
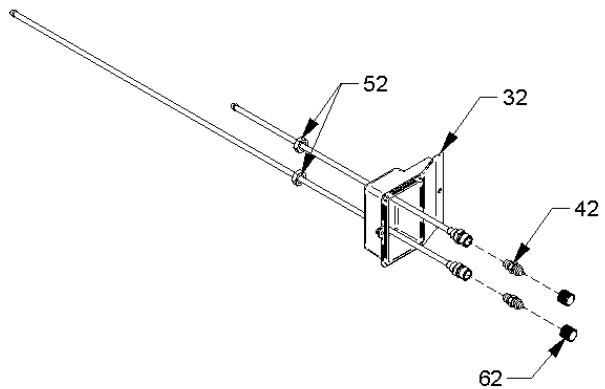


Image 2



Chassis

Ref. Part No: No:	Description:	Ref. Part No: No:	Description:
<i>Image 1:</i>		<i>Image 1:</i>	
11	0121G00046PS BASEPAN INSUL ASSY	NS	0121G00043P EVAP DRIP SHIELD
21	0121G00044PRF BASEPAN RAIL (QTY 2)	NS	0162M00094 FLOWRATOR (M26)
31	0270G00075 INSULATED ASSY, PARTITION PANEL 27.5" (M1, M2, M3, M4, M5, M6, M7, M8, M9, M10, M11, M12, M13)	NS	0210G00008P PROCESS TUBING ASSY
31	0270G00076 INSULATED ASSY, PARTITION PANEL 32.5" (M14, M15, M16, M17)	<i>Image 2:</i>	
31	0270G00077 INSULATED ASSY, PARTITION PANEL 36" (M18, M19, M20, M21, M22, M23, M24, M25, M26, M27)	32	0161G00001P ACCESS FITTING BOX
41	0270G00004PS DRAIN PAN ASSY	42	B1373315 ACCESS FITTING (QTY 2)
51	0162M00070 FLOWRATOR .059 [EVAP] (M1, M2, M3, M4)	52	0163G00000P FASTEST FITTING NUT (QTY 2)
51	0162M00061 FLOWRATOR .065 [EVAP] (M5, M6, M7, M8, M9)	62	B9102097 CAP W/O-RING (QTY 2)
51	0162M00066 FLOWRATOR .071 [EVAP] (M10, M11, M12, M13)	NS	0210G00030P PROCESS TUBE ASSY-LIQUID
51	0162M00064 FLOWRATOR .080 [EVAP] (M14, M15, M16, M17, M19, M20)	NS	0210G00031P PROCESS TUBE ASSY-SUCTION
51	0162M00072 FLOWRATOR .082 [EVAP] (M21)	Expanded Model Nomenclature	
51	B2114882 FLOWRATOR .082 [EVAP] (M18, M22)	<div style="border: 1px solid black; padding: 5px;"> M1 - GPC1324H21AB M2 - GPC1324H21AC M3 - GPC1324H21AD M4 - GPC1324H21A M5 - GPC1330H21AB M6 - GPC1330H21AC M7 - GPC1330H21AD M8 - GPC1330H21AE M9 - GPC1330H21A M10 - GPC1336H21AB M11 - GPC1336H21AC M12 - GPC1336H21AD M13 - GPC1336H21A M14 - GPC1342H21AB M15 - GPC1342H21AC M16 - GPC1342H21AD M17 - GPC1342H21A M18 - GPC1348H21AB M19 - GPC1348H21BA M20 - GPC1348H21BB M21 - GPC1348H21BC M22 - GPC1348H21A M23 - GPC1360H21AA M24 - GPC1360H21AB M25 - GPC1360H21AC M26 - GPC1360H21AD M27 - GPC1360H21A </div>	
51	0162M00067 FLOWRATOR .092 [EVAP] (M23, M24, M25, M26, M27)		
91	0201G00040PS TUBING ASSY, COND COIL (M1, M2, M4, M5, M6, M7, M9)		
91	0201G00042PS TUBING ASSY, COND COIL (M10, M11, M12, M13)		
91	0201G00043PS TUBING ASSY, COND COIL (M14, M15, M16, M17)		
91	0201G00044PS TUBING ASSY, COND COIL (M22)		
91	0201G00045PS TUBING ASSY, COND COIL (M23, M24, M27)		
91	0201G00074S TUBING ASSY, COND COIL (M19, M20)		
91	0201G00079 TUBING ASSY, COND COIL (M18)		
91	0201G00080 TUBING ASSY, COND COIL (M25)		
91	0201G00121S TUBING ASSY, COND COIL (M21)		
91	0201G00128S TUBING ASSY, COND COIL (M3, M8)		
91	0201G00141 TUBING ASSY, COND COIL (M26)		
101	0202G00071PS TUBING ASSY, EVAP COIL (M18, M22)		
101	0202G00132S TUBING ASSY, EVAP COIL (M1, M2, M3, M4)		
101	0202G00133S TUBING ASSY, EVAP COIL (M10, M11, M12, M13)		
101	0202G00134S TUBING ASSY, EVAP COIL (M14, M15, M16, M17)		
101	0202G00135S TUBING ASSY, EVAP COIL (M23, M24, M25, M26, M27)		
101	0202G00136S TUBING ASSY, EVAP COIL (M5, M6, M7, M8, M9)		
101	0202G00137S TUBING ASSY, EVAP COIL (M19, M20)		
101	0202G00294S TUBING ASSY, EVAP COIL (M21)		
121	B1219212 SINGLE-FLOW FILTER DRIER, STEEL (M1, M2, M3, M4, M5, M6, M7, M8, M9, M10, M11, M12, M13, M14, M15, M16, M17)		
121	B1219225 SINGLE-FLOW FILTER DRIER, STEEL (M18, M19, M20, M21, M22, M23, M24, M25, M26, M27)		
191	0121G00045P POST 27.5" [QTY 2] (M1, M2, M3, M4, M5, M6, M7, M8, M9, M10, M11, M12, M13)		
191	0121G00079P POST 32.5" [QTY 2] (M14, M15, M16, M17)		
191	0121G00083P POST 36" [QTY 2] (M18, M19, M20, M21, M22, M23, M24, M25, M26, M27)		

Compressor and Top Panel Assy

Image 1

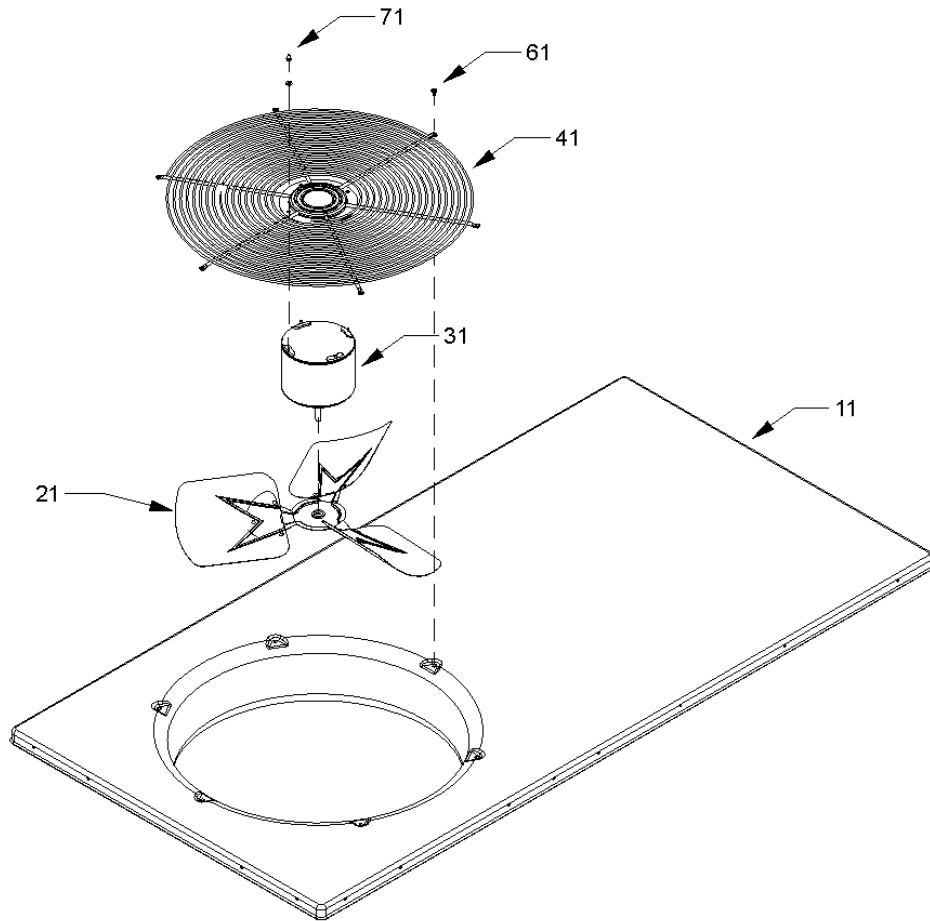


Image 2

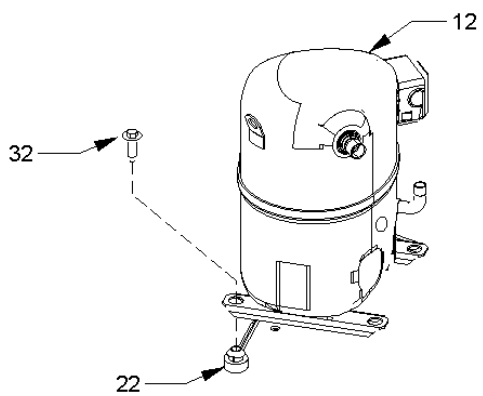
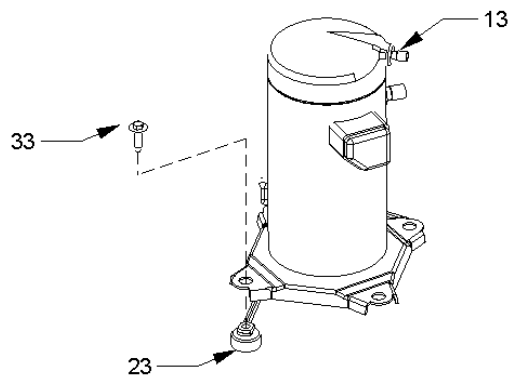


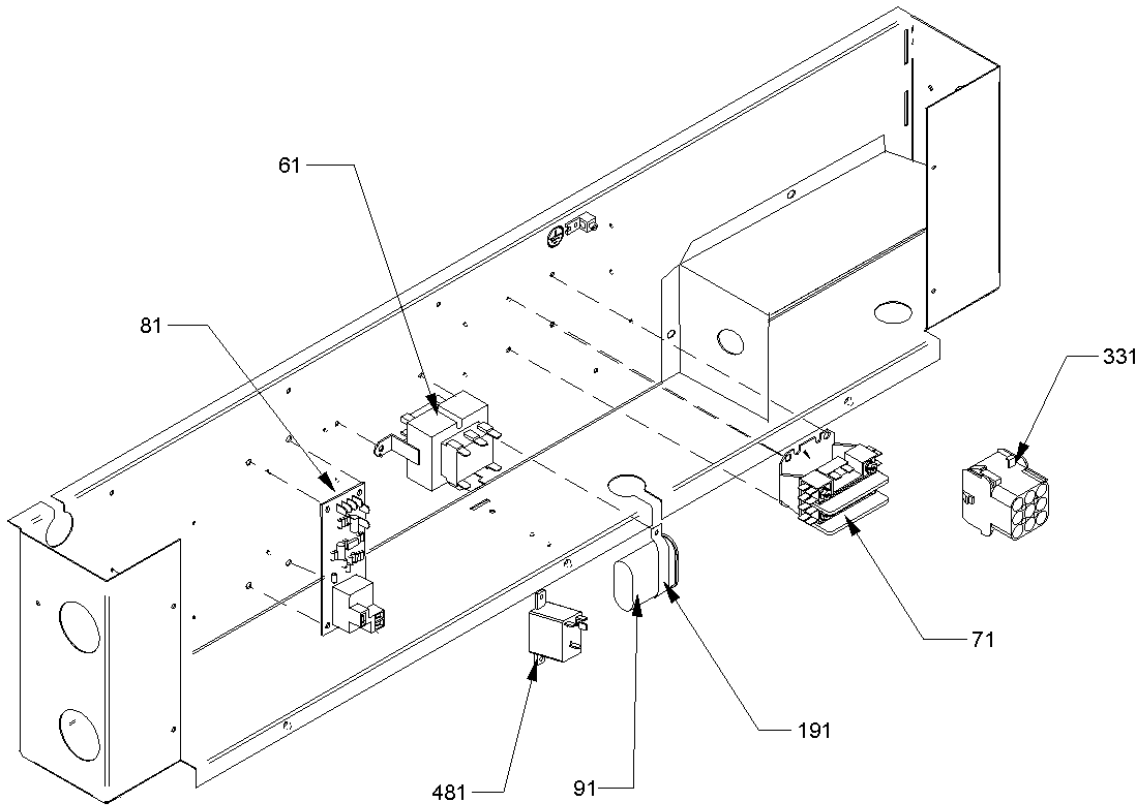
Image 3



Compressor and Top Panel Assy

Ref. Part No: No:	Description:	Ref. Part No: No:	Description:
<i>Image 1:</i>		Expanded Model Nomenclature	
11	0274G00003PS INSULATED ASSY, TOP PANEL (M1, M4, M5, M6, M9, M10, M11, M13, M14, M15, M17, M18, M19, M22, M23, M24, M27)	M1 - GPC1324H21AB	
11	0274G00037 INSULATED ASSY, TOP PANEL (M2, M3, M7, M8, M12, M16, M20, M21, M25, M26)	M2 - GPC1324H21AC	
21	0150G00001S FAN BLADE (M18, M19, M20, M21, M22, M23, M24, M25, M26, M27)	M3 - GPC1324H21AD	
21	B1086775S FAN BLADE (M1, M2, M3, M4, M5, M9, M10, M13, M14, M17)	M4 - GPC1324H21A	
21	0150M00008S FAN BLADE 22" TNT2203-25 (M8)	M5 - GPC1330H21AB	
21	0150G00002S FAN BLADE SWEEP-WING (M6, M7)	M6 - GPC1330H21AC	
21	B1086765S FAN BLADE TYPE 3 (M11, M12, M15, M16)	M7 - GPC1330H21AD	
31	0131M00008PS COND MOTOR 1/3 HP, 1 SP, 6 PL (M18, M19, M20, M22, M23, M24, M25, M27)	M8 - GPC1330H21AE	
31	0131M00007PS COND MOTOR 1/4 HP, 1 SP, 6 PL (M5, M9, M10, M13, M14, M17, M21, M26)	M9 - GPC1330H21A	
31	0131M00014PS COND MOTOR 1/4 HP, 1 SP, 8 PL (M6, M7, M8, M11, M12, M15, M16)	M10 - GPC1336H21AB	
31	0131M00009PS COND MOTOR 1/6 HP, 1 SP, 8 PL (M1, M2, M3, M4)	M11 - GPC1336H21AC	
41	0152G00002S FAN GRILLE	M12 - GPC1336H21AD	
61	M0221817 SMALL SCREW (QTY 6)	M13 - GPC1336H21A	
71	0163M00006P ACORN NUT 5/16 HEX BLACK (QTY 4)	M14 - GPC1342H21AB	
NS	17788000083F PVC CONDUIT 8.25"	M15 - GPC1342H21AC	
<i>Image 2:</i>		M16 - GPC1342H21AD	
12	CR19K7PFV930 COMPRESSOR 19300, 208/230/60/1 (M1, M2, M3, M4)	M17 - GPC1342H21A	
12	CR23K7PFV930 COMPRESSOR 22600, 208/230/60/1 (M5, M6, M7, M8, M9)	M18 - GPC1348H21AB	
12	CR28K7PFV930 COMPRESSOR 28300, 208/230/60/1 (M10, M11, M12, M13)	M19 - GPC1348H21BA	
22	B1339530 COMPRESSOR GROMMET [QTY 4] (M1, M2, M3, M4, M5, M6, M7, M8, M9, M10, M11, M12, M13)	M20 - GPC1348H21BB	
32	M0221641 TF SHOULDER SCREW [QTY 4] (M1, M2, M3, M4, M5, M6, M7, M8, M9, M10, M11, M12, M13)	M21 - GPC1348H21BC	
<i>Image 3:</i>		M22 - GPC1348H21A	
13	ZR36K3PFV930 COMPRESSOR 36900, 208/230/60/1 (M14, M15, M16, M17)	M23 - GPC1360H21AA	
13	ZR40K3PFV930 COMPRESSOR 40600, 208/230/60/1 (M18, M19, M20, M21, M22)	M24 - GPC1360H21AB	
13	ZR52K3PFV930 COMPRESSOR 52000, 208/230/60/1 (M23, M24, M25, M26, M27)	M25 - GPC1360H21AC	
23	B1339533 COMPRESSOR GROMMET [QTY 4] (M14, M15, M16, M17, M18, M19, M20, M21, M22, M23, M24, M25, M26, M27)	M26 - GPC1360H21AD	
33	M0221641 TF SHOULDER SCREW [QTY 4] (M14, M15, M16, M17, M18, M19, M20, M21, M22, M23, M24, M25, M26, M27)	M27 - GPC1360H21A	

Control Box Assy



Control Box Assy

**Ref. Part
No: No:**

Description:

**Ref. Part
No: No:**

Description:

Image 1:

11	B1141643	TRANSFORMER 208/230, 24V
31	B1368016S	BLOWER WHEEL 10 X 8 (M14, M15, M16, M17, M18, M19, M20, M21, M22)
31	B1368054	BLOWER WHEEL 11 X 8 (M23, M24, M25, M26, M27)
31	0150M00000S	BLOWER WHEEL 9 X 6 (M5, M6, M7, M8, M9)
31	B1368042S	BLOWER WHEEL 9 X 6 (M1, M2, M3, M4)
31	B1368036S	BLOWER WHEEL 9 X 8 (M10, M11, M12, M13)
41	0270G00023PS	TRANSITION DUCT ASSY (M1, M2, M3, M4)
41	0270G00024PS	TRANSITION DUCT ASSY (M5, M6, M7, M8, M9, M10, M11, M12, M13)
41	0270G00025PS	TRANSITION DUCT ASSY (M14, M15, M16, M17, M18, M19, M20, M21, M22, M23, M24, M25, M26, M27)
71	CONT2P025024VS	CONTACTOR 25 AMP, 2P, 24V (M1, M2, M3, M4, M5, M6, M7, M8, M9, M10, M11, M12, M13)
71	CONT2P030024VS	CONTACTOR 30 AMP, 2P, 24V (M14, M15, M16, M17, M18, M19, M20, M21, M22)
71	CONT2P040024VS	CONTACTOR 40 AMP, 2P, 24V (M23, M24, M25, M26, M27)
81	PCBFM103S	BOARD, ELECTRONIC BLOWER TIME DELAY RELAY (M1, M2, M3, M4, M5, M6, M7, M8, M9, M10, M11, M12, M13, M14, M15, M16, M17, M18, M19, M20, M21, M22)
91	CAP050300370RSS	CAPACITOR 5/30/370V [CONTROL BOX] (M1, M2, M3, M4, M14, M15)
91	CAP050350440RSS	CAPACITOR 5/35/440V [CONTROL BOX] (M10, M11, M12, M13)
91	CAP050400370RSS	CAPACITOR 5/40/370V [CONTROL BOX] (M5, M6, M7, M8)
91	CAP050400370RSS	CAPACITOR 5/40/370V [CONTROL BOX] (M9)
91	CAP050500440RTS	CAPACITOR 5/50/440V [CONTROL BOX] (M16, M17)
91	CAP050550440RTS	CAPACITOR 5/55/440V [CONTROL BOX] (M18, M19, M20, M21, M22)
91	CAP050800440RTS	CAPACITOR 5/80/440V [CONTROL BOX] (M23, M24, M25, M26, M27)
191	20520901	CAPACITOR STRAP
331	0259G00001P	WIRE HARNESS, ELECTRIC HEAT (M4, M9, M13, M17, M22)
331	0259G00003	WIRE HARNESS, ELECTRIC HEAT (M23, M27)
331	0259G00004	WIRE HARNESS, ELECTRIC HEAT (M1, M2, M3, M5, M6, M7, M8, M10, M11, M12, M14, M15, M16, M18, M19, M20, M21)
331	0259G00021	WIRE HARNESS, ELECTRIC HEAT (M24, M25, M26)
481	0130M00014	240 VOLT RELAY (M1, M2, M3, M5, M6, M7, M8, M10, M11, M12, M14, M15, M16, M18, M19, M20, M21)
NS	0130M00025S	24V RELAY (M23, M27)

Expanded Model Nomenclature

M1 - GPC1324H21AB
M2 - GPC1324H21AC
M3 - GPC1324H21AD
M4 - GPC1324H21A
M5 - GPC1330H21AB
M6 - GPC1330H21AC
M7 - GPC1330H21AD
M8 - GPC1330H21AE
M9 - GPC1330H21A
M10 - GPC1336H21AB
M11 - GPC1336H21AC
M12 - GPC1336H21AD
M13 - GPC1336H21A
M14 - GPC1342H21AB
M15 - GPC1342H21AC
M16 - GPC1342H21AD
M17 - GPC1342H21A
M18 - GPC1348H21AB
M19 - GPC1348H21BA
M20 - GPC1348H21BB
M21 - GPC1348H21BC
M22 - GPC1348H21A
M23 - GPC1360H21AA
M24 - GPC1360H21AB
M25 - GPC1360H21AC
M26 - GPC1360H21AD
M27 - GPC1360H21A

Blower Assy

Image 1

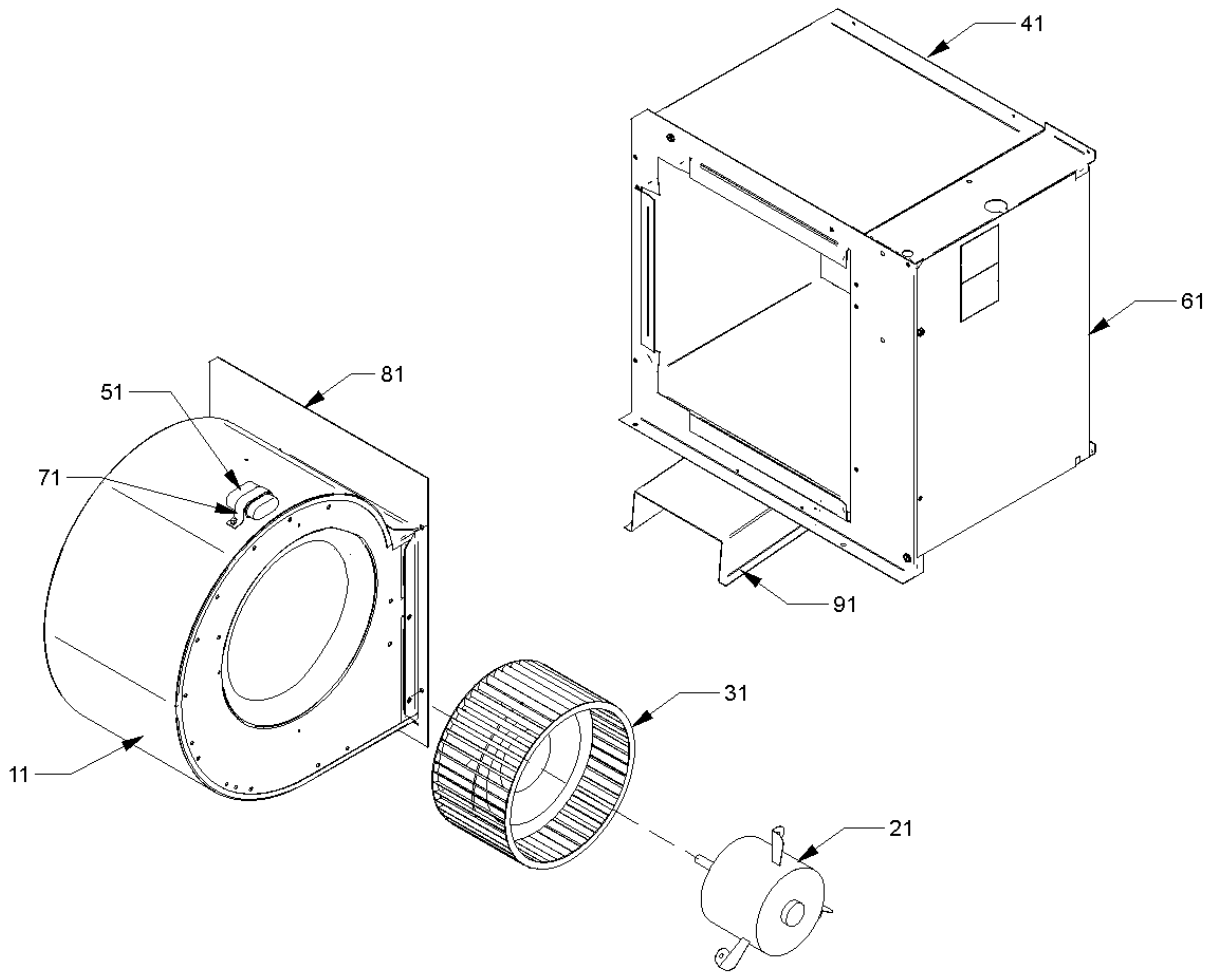
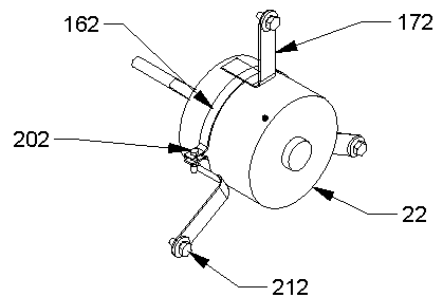


Image 2



Blower Assy

**Ref. Part
No: No:**

Description:

**Ref. Part
No: No:**

Description:

Image 1:

11	10324248	BLOWER HOUSING 10 X 8 (M14, M15, M16, M17, M18, M19, M20, M21, M22)
11	0271G00017	BLOWER HOUSING 11 X 8 (M23, M24, M25, M26, M27)
11	10324246	BLOWER HOUSING 9 X 6 (M1, M2, M3, M4, M5, M6, M7, M8, M9)
11	10324247	BLOWER HOUSING 9 X 8 (M10, M11, M12, M13)
21	0131M00010PS	BLOWER MOTOR 1/2 HP, 3 SP, 8 PL (M14, M15, M16, M17, M18, M19, M20, M21, M22)
21	11091202S	BLOWER MOTOR 1/3 HP, 3 SP, 6 PL (M5, M6, M7, M8, M9, M10, M11, M12, M13)
21	11091207S	BLOWER MOTOR 1/4 HP, 3 SP, 8 PL (M1, M2, M3, M4)
51	CAP100000370VAS	CAPACITOR 10/370V [BLOWER] (M1, M2, M3, M4, M5, M6, M7, M8, M9, M10, M11, M12, M13)
51	CAP150000370VAS	CAPACITOR 15/370V [BLOWER] (M14, M15, M16, M17, M18, M19, M20, M21, M22)
61	0121G00039PS	HEATER KIT COVER
71	20520901	CAPACITOR STRAP (M1, M2, M3, M5, M6, M7, M8, M10, M11, M12, M14, M15, M16, M18, M19, M20, M21)
81	0121G00128P	BLOWER MOUNT (M23, M24, M25, M26, M27)
81	0121G00035P	BLOWER MOUNT 10 X 8 (M14, M15, M16, M17, M18, M19, M20, M21, M22)
81	0121G00033P	BLOWER MOUNT 9 X 6 (M1, M2, M3, M4, M5, M6, M7, M8, M9)
81	0121G00034P	BLOWER MOUNT 9 X 8 (M10, M11, M12, M13)
91	0121G00040P	BLOWER SUPPORT
NS	C6121802	BLOWER CUT-OFF (M1, M2, M3, M4, M5, M6, M7, M8, M9)
NS	C6121810	BLOWER CUT-OFF (M10, M11, M12, M13, M14, M15, M16, M17, M18, M19, M20, M21, M22)
NS	2964700	BLOWER CUT-OFF 11 X 8 (M23, M24, M25, M26, M27)
NS	B821700	CAPACITOR BOOT (M1, M2, M3, M4, M5, M6, M7, M8, M9, M10, M11, M12, M13, M14, M15, M16, M17, M18, M19, M20, M21, M22)
NS	B1392143	GROMMET, 26TAL F/TORSIN FLEX (M1, M2, M3, M4, M10, M11, M12, M13, M14, M15, M16, M17, M18, M19, M20, M21, M22)
NS	M0250558	TC SCREW (M1, M2, M3, M4, M5, M6, M7, M8, M9, M10, M11, M12, M13, M14, M15, M16, M17, M18, M19, M20, M21, M22)

Expanded Model Nomenclature

M1 - GPC1324H21AB
M2 - GPC1324H21AC
M3 - GPC1324H21AD
M4 - GPC1324H21A
M5 - GPC1330H21AB
M6 - GPC1330H21AC
M7 - GPC1330H21AD
M8 - GPC1330H21AE
M9 - GPC1330H21A
M10 - GPC1336H21AB
M11 - GPC1336H21AC
M12 - GPC1336H21AD
M13 - GPC1336H21A
M14 - GPC1342H21AB
M15 - GPC1342H21AC
M16 - GPC1342H21AD
M17 - GPC1342H21A
M18 - GPC1348H21AB
M19 - GPC1348H21BA
M20 - GPC1348H21BB
M21 - GPC1348H21BC
M22 - GPC1348H21A
M23 - GPC1360H21AA
M24 - GPC1360H21AB
M25 - GPC1360H21AC
M26 - GPC1360H21AD
M27 - GPC1360H21A

Image 2:

22	0231K00039	BLOWER MOTOR 3/4 HP PROGRAMMED X13 (M23, M27)
22	0231K00042	BLOWER MOTOR 3/4 HP PROGRAMMED X13 (M24, M25, M26)
162	0121M00038	MOTOR MOUNT BAND (M23, M24, M25, M26, M27)
172	B1376857	MOTOR MOUNT ARM (M23, M24, M25, M26, M27)
202	B1393323	MACHINE SCREW HWH 1/4-20 X 1-1/2 BZ (M23, M24, M25, M26, M27)
212	M0250565	TC SCREW 1.25" (M23, M24, M25, M26, M27)
NS	B1393800	LOCKNUT, NYLON, INSERT 1/4, 20 (M23, M24, M25, M26, M27)

