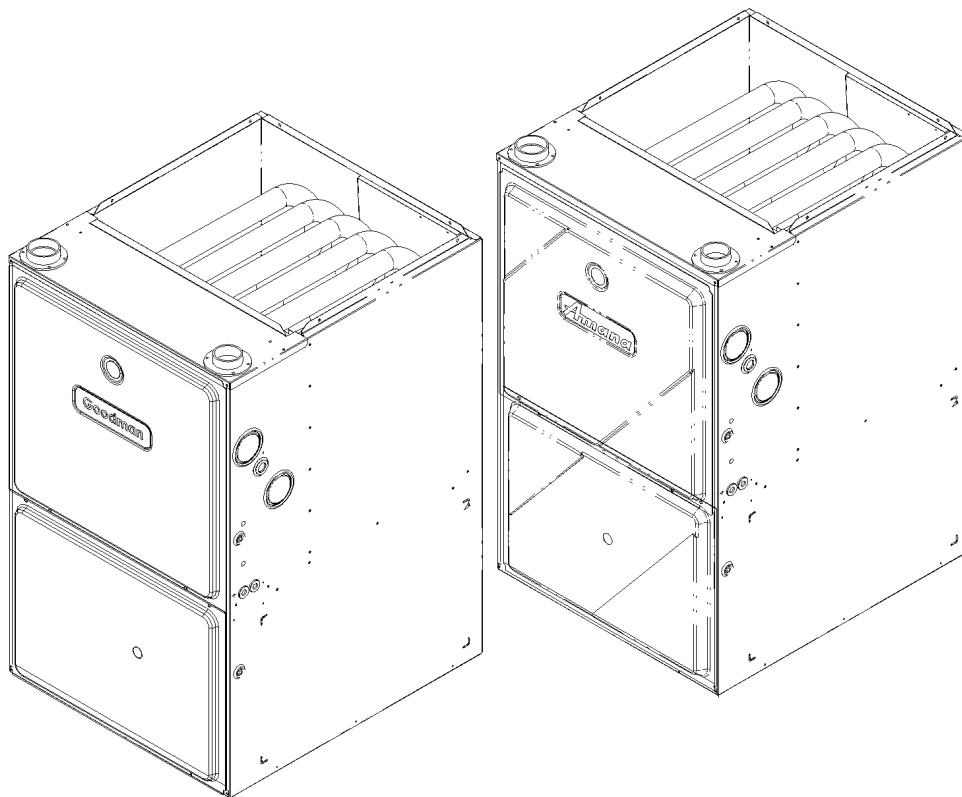


# REPAIR PARTS

\*MVC9  
Variable Speed Furnace

AMVC950453BXAA  
AMVC950704CXAA  
AMVC950905DXAA  
AMVC951155DXAA  
GMVC95005DXAA  
GMVC950453BXAA  
GMVC950704CXAA  
GMVC951155DXAA



This manual is to be used by qualified technicians only.

© 2009 Goodman Manufacturing Company, L.P. ♦ 5151 San Felipe, Suite 500 ♦ Houston, TX 77056

# Important Information

---

## Index

Functional Parts List .....	3
Illustration and Parts .....	4 - 11

*Views shown are for parts illustrations only, not servicing procedures.*

### Text Codes:

AR - As Required

NA - Not Available

NS - Not Shown

00000000 - See Note

QTY - Quantity Example (QTY 3) (If Quantity not shown, Quantity = 1)

M - Model Example (M1) (If M Code not shown, then part is used on all Models)

### Expanded Model Nomenclature:

Example M1 - Model#1 M2 - Model#2 M3 - Model#3
---

Goodman Manufacturing Company, L.P. is not responsible for personal injury or property damage resulting from improper service. Review all service information before beginning repairs.

Warranty service must be performed by an authorized technician, using authorized factory parts. If service is required after the warranty expires, Goodman Manufacturing Company, L.P. also recommends contacting an authorized technician and using authorized factory parts.

Goodman Manufacturing Company, L.P. reserves the right to discontinue, or change at any time, specifications or designs without notice or without incurring obligations.

For assistance within the U.S.A. contact:  
Consumer Affairs Department  
Goodman Manufacturing Company, L.P.  
7401 Security Way  
Houston, Texas 77040  
877-254-4729-Telephone  
713-863-2382-Facsimile

For assistance outside the U.S.A. contact:  
International Division  
Goodman Manufacturing Company, L.P.  
7401 Security Way  
Houston, Texas 77040  
713-861-2500-Telephone  
713-863-2382-Facsimile

# Functional Parts

## Part

## No: Description:

---

0131M00113	BLOWER MOTOR 1 HP SERIAL ECM (M3, M4, M7, M8)
0131M00111	BLOWER MOTOR 1/2 HP, SERIAL ECM (M1, M5)
0131M00112	BLOWER MOTOR 3/4 HP SERIAL ECM (M2, M6)
PCBKF101	CONTROL BOARD
0151F00000P	GAS VALVE HSI (2-STAGE NAT)
B1141666	INDUCTOR-5.9 AMP (M2, M3, M4, M6, M7, M8)
B1370818	INTERLOCK SWITCH
10123518	MANUAL RESET LIMIT (M1, M5)
10123533	MANUAL RESET LIMIT (M2, M4, M6, M8)
10123537	MANUAL RESET LIMIT (M2, M3, M6, M7)
10123536	MANUAL RESET LIMIT 180°F (M3, M7)
10123537	MANUAL RESET LIMIT-GRAY (M2, M6)
10123535	MANUAL RESET LIMIT-RED (M1, M5)
10123533	MANUAL RESET LIMIT-YELLOW (M4, M8)
11177113	PRESSURE SWITCH-GRAY (M1, M2, M5, M6)
11177114	PRESSURE SWITCH-OLIVE (M3, M4, M7, M8)
20197308	PRESSURE SWITCH-YELLOW
20162907	PRIMARY LIMIT (M2, M6)
20162904	PRIMARY LIMIT-TEMPERATURE CONTROL (M4, M8)
20162905	PRIMARY LIMIT-YELLOW (M1, M3, M5, M7)
0130F00008S	SINI IGNITOR
B1141605	TRANSFORMER 120V TO 24V, 40 VA

### SPECIAL PARTS

0161M00003P	AMANA NAMEPLATE (M1, M2, M3, M4)
0161F00000P	GOODMAN NAMEPLATE (M5, M6, M7, M8)
IO-341	INSTALLATION INSTRUCTIONS
IO-661	INSTALLATION INSTRUCTIONS
RP-509	REPAIR PARTS MANUAL
HI-124	USERS MANUAL

### Expanded Model Nomenclature

M1 - AMVC950453BXAA
M2 - AMVC950704CXAA
M3 - AMVC950905DXAA
M4 - AMVC951155DXAA
M5 - GMVC950453BXAA
M6 - GMVC950704CXAA
M7 - GMVC950905DXAA
M8 - GMVC951155DXAA

# Cabinet

Image 1

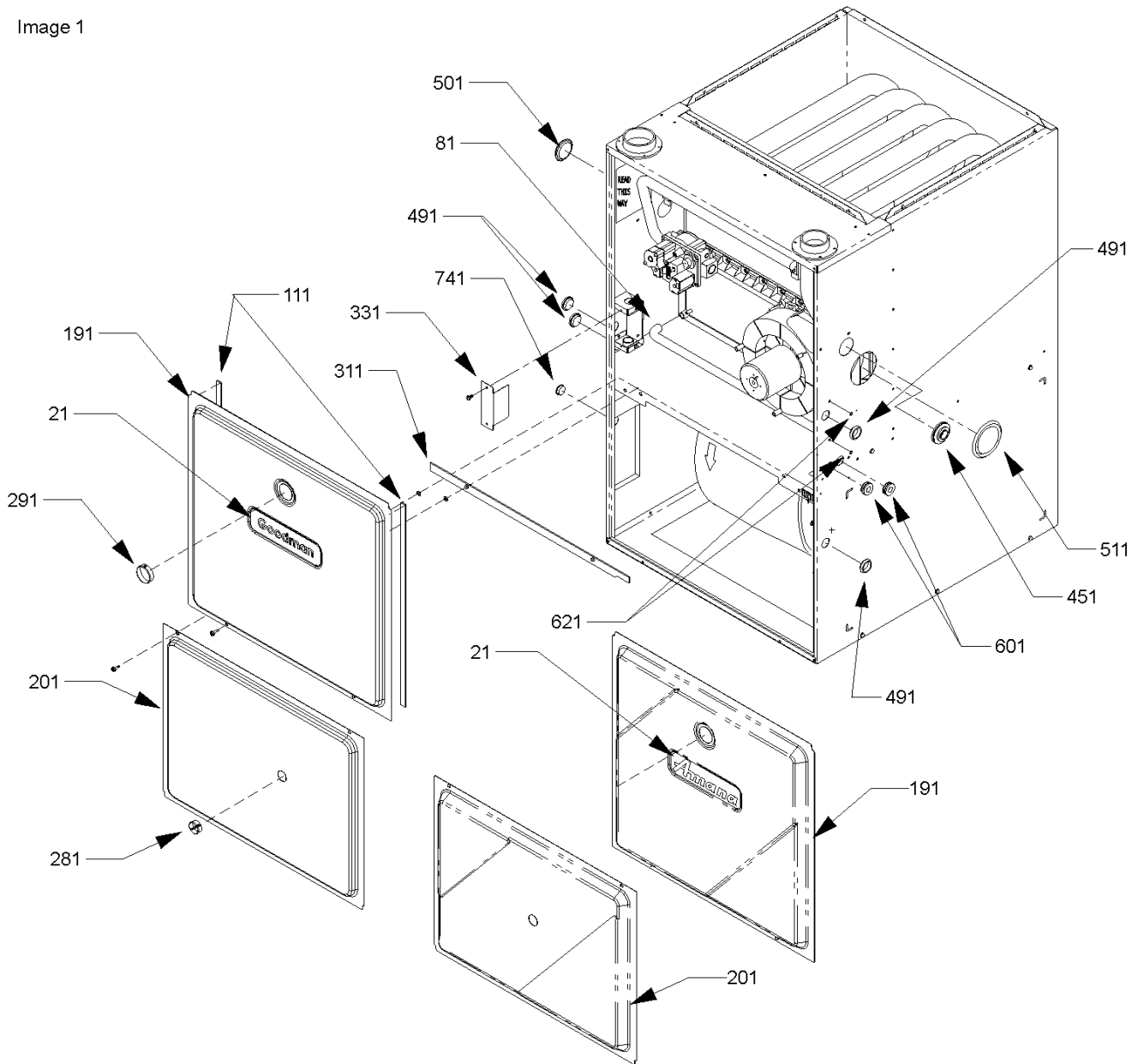
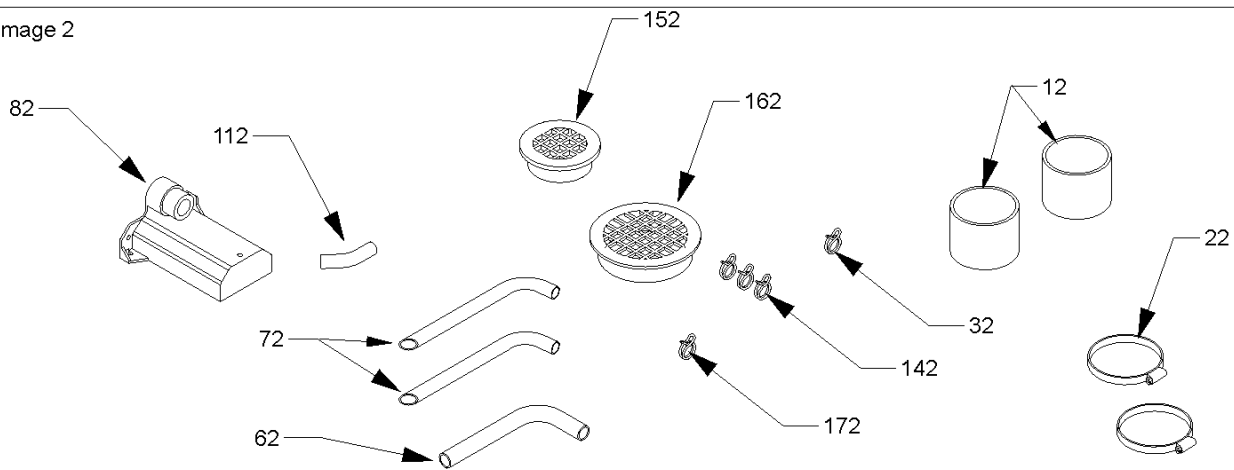


Image 2



# Cabinet

**Ref. Part  
No: No:**

**Description:**

**Ref. Part  
No: No:**

**Description:**

*Image 1:*

21	0161M00003P	AMANA NAMEPLATE (M1, M2, M3, M4)
21	0161F00000P	GOODMAN NAMEPLATE (M5, M6, M7, M8)
81	20201902	DRAIN HOSE
111	20179308	GASKET (QTY 2)
191	0121F00066LG	ACCESS DOOR (M1)
191	0121F00067LG	ACCESS DOOR (M2)
191	0121F00068LG	ACCESS DOOR (M3, M4)
191	0121F00072DGS	ACCESS DOOR (M5)
191	0121F00073DGS	ACCESS DOOR (M6)
191	0121F00074DGS	ACCESS DOOR (M7, M8)
201	0121F00063LG	BLOWER DOOR (M1)
201	0121F00064LGS	BLOWER DOOR (M2)
201	0121F00065LG	BLOWER DOOR (M3, M4)
201	0121F00069DGS	BLOWER DOOR (M5)
201	0121F00070DGS	BLOWER DOOR (M6)
201	0121F00071DG	BLOWER DOOR (M7, M8)
281	B1392139	VIEW PORT BUSHING-BLOWER DOOR (QTY 2)
311	22320001	DECK GASKET (M1, M5)
311	22320002	DECK GASKET (M2, M6)
311	22320003	DECK GASKET (M3, M4, M7, M8)
331	0161F00005	JUNCTION BOX-LID
451	M0501301	PIPE GROMMET
491	M0570808	BUTTON PLUG (QTY 4)
501	M0570806	BUTTON PLUG
511	M0570807	BUTTON PLUG
601	A4691701	GROMMET (QTY 2)
621	M0310345	BUTTON PLUG (QTY AR)
741	B1392104	UNIVERSAL BUSHING UB 875

Expanded Model Nomenclature

M1 - AMVC950453BXAA
M2 - AMVC950704CXAA
M3 - AMVC950905DXAA
M4 - AMVC951155DXAA
M5 - GMVC950453BXAA
M6 - GMVC950704CXAA
M7 - GMVC950905DXAA
M8 - GMVC951155DXAA

*Image 2:*

12	10254303	RUBBER COUPLING
22	0163M00049	HOSE CLAMP (QTY 2)
32	M0119207	HOSE CLAMP
62	20201901	DRAIN HOSE
72	20201802	DRAIN TUBE (QTY 2)
82	20171701	DRAIN TRAP
112	20214203	DRAIN ANGLE
142	M0119205	HOSE CLAMP (QTY 3)
152	B2810816	2" MESH INSERT
162	B2810814	3" MESH INSERT
172	M0119206	HOSE CLAMP

# Blower Assembly

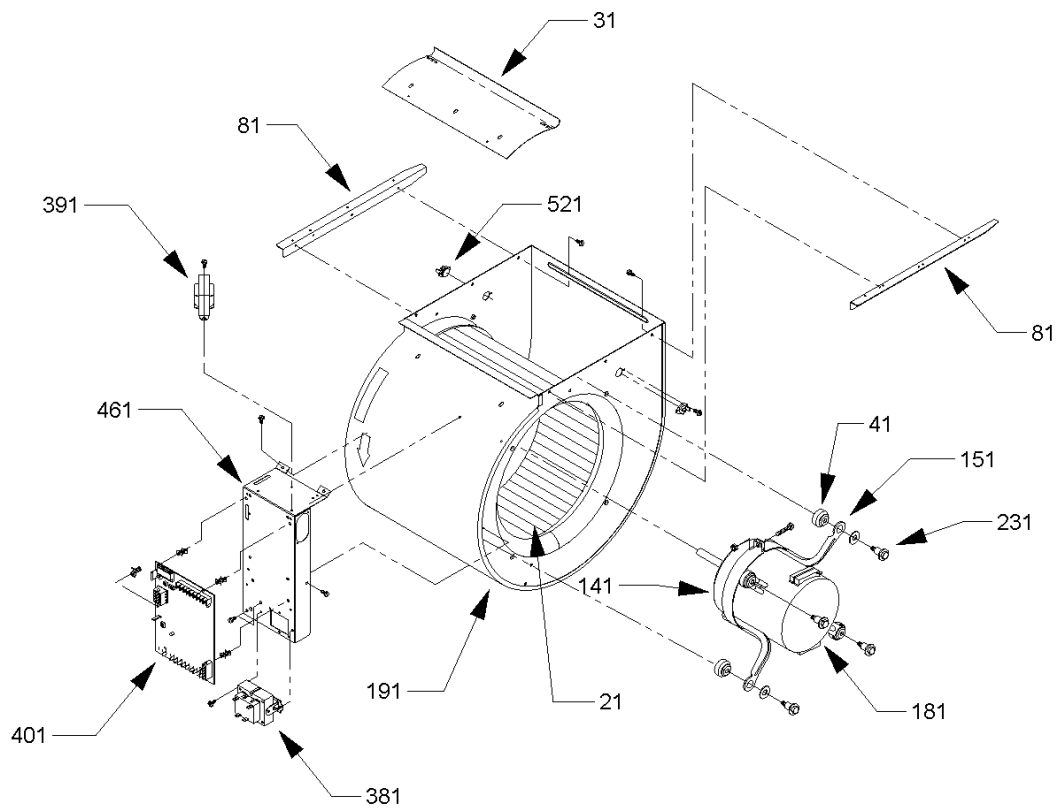
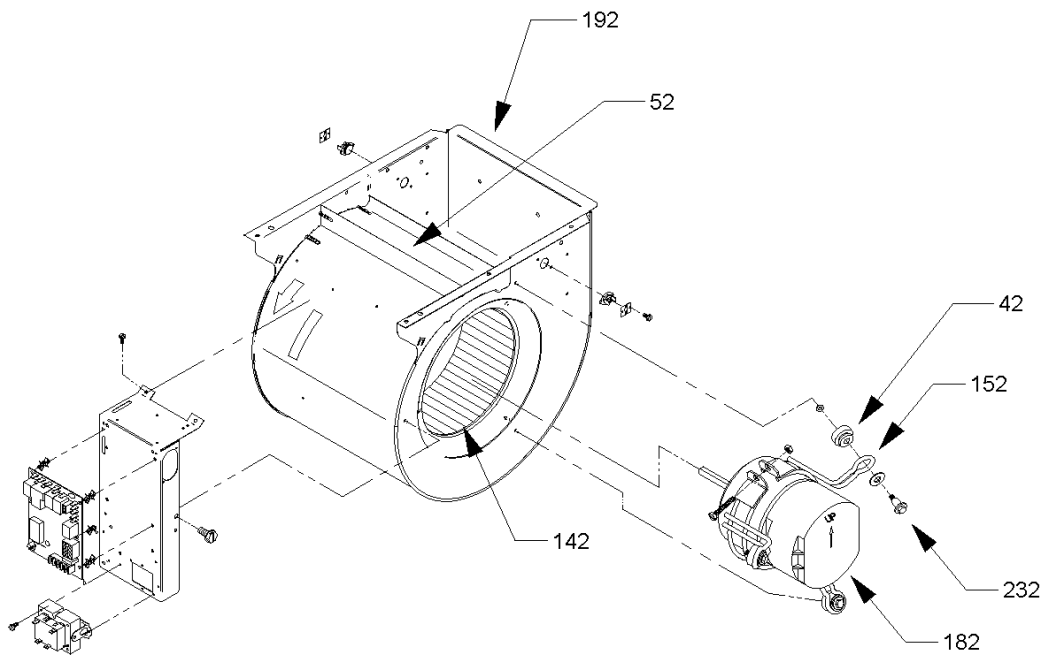


Image 1

Image 2



# Blower Assembly

Ref. Part No:	Part No:	Description:	Ref. Part No:	Part No:	Description:
---------------	----------	--------------	---------------	----------	--------------

*Image 1:*

21	D6723311S	BLOWER WHEEL (M3, M4, M7, M8)
31	C6121807	BLOWER CUT-OFF (M3, M4, M7, M8)
41	A4002702	BLOWER MOTOR GROMMET (M3, M4, M7, M8)
81	20175101	BLOWER SIDE RAIL (M3, M4, M7, M8)
141	10441601	MOTOR MOUNT BAND (M3, M4, M7, M8)
151	10441501	MOTOR MOUNT ARM (M3, M4, M7, M8)
181	0131M00113	BLOWER MOTOR 1 HP SERIAL ECM (M3, M4, M7, M8)
191	0271F00047	BLOWER HOUSING ASSY 11 X 10 (M3, M4, M7, M8)
231	M0221461	TC SCREW (M3, M4, M7, M8)
381	B1141605	TRANSFORMER 120V TO 24V, 40 VA
391	B1141666	INDUCTOR-5.9 AMP (M2, M3, M4, M6, M7, M8)
401	PCBKF101	CONTROL BOARD
461	0121F00094	CONTROL MOUNT PANEL
521	10123536	MANUAL RESET LIMIT 180°F (M3, M7)
521	10123533	MANUAL RESET LIMIT-YELLOW (M4, M8)
NS	0259F00040	CONTROL HARNESS
NS	0259F00041	POWER HARNESS
NS	0159F00007	WIRING HARNESS

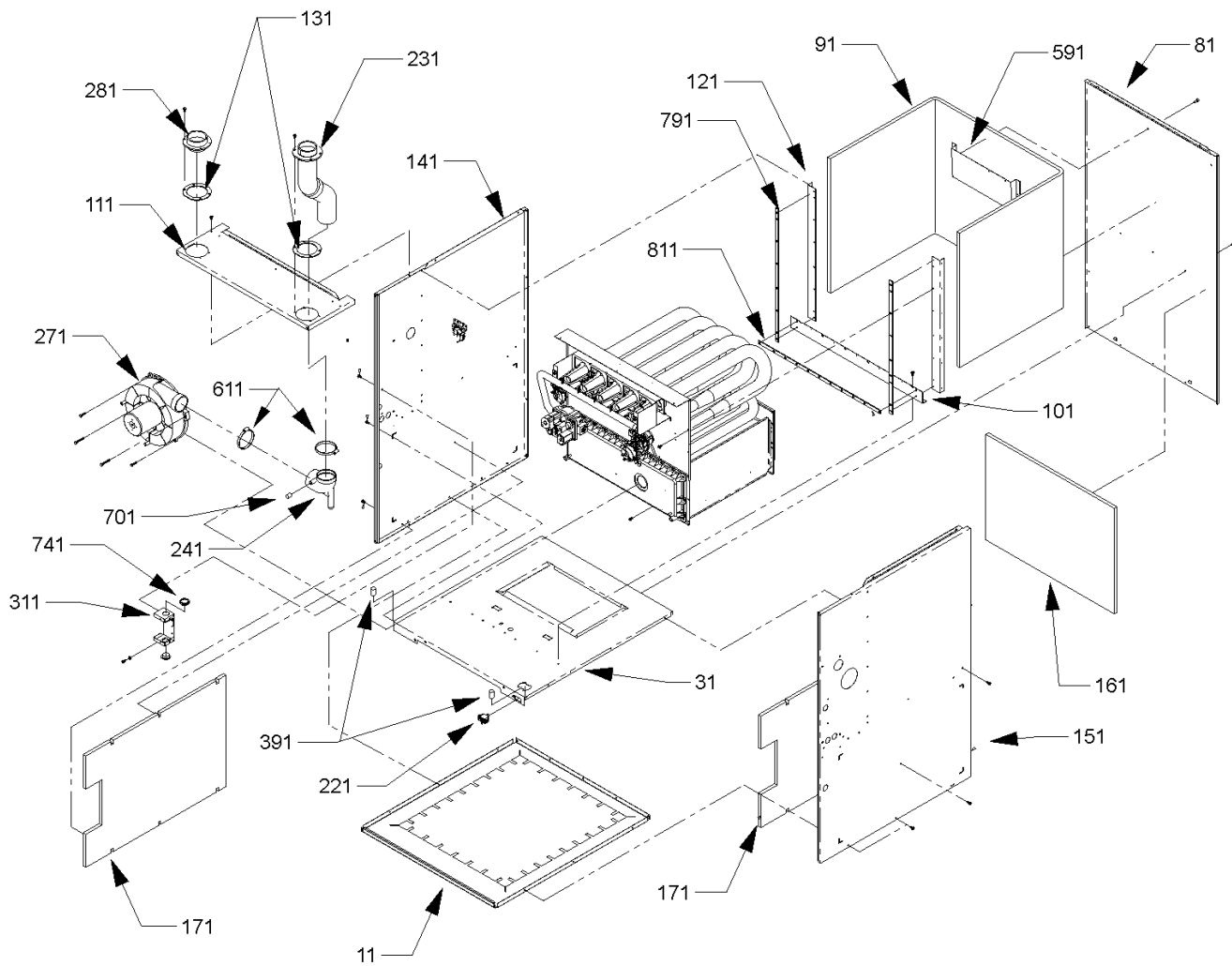
*Image 2:*

22	B1368047A	BLOWER WHEEL 10 X 10 (M2, M6)
22	B1368016S	BLOWER WHEEL 10 X 8 (M1, M5)
42	A4002702	BLOWER MOTOR GROMMET (M1, M2, M5, M6)
52	764741F	BLOWER BLOCK-OFF 10 X 10
52	764740F	BLOWER BLOCK-OFF 10 X 8
152	C9443702	MOTOR MOUNT BRACKET (M1, M2, M5, M6)
182	0131M00111	BLOWER MOTOR 1/2 HP, SERIAL ECM (M1, M5)
182	0131M00112	BLOWER MOTOR 3/4 HP SERIAL ECM (M2, M6)
192	0271F00004P	BLOWER HOUSING ASSY 10 X 10 (M2, M6)
192	0271F00074	BLOWER HOUSING ASSY 10 X 8 (M1, M5)
232	M0221461	TC SCREW (M1, M2, M5, M6)
522	10123537	MANUAL RESET LIMIT-GRAY (M2, M6)
522	10123535	MANUAL RESET LIMIT-RED (M1, M5)
562	2509503F	AUXILIARY LIMIT BRACKET (M1, M2, M5, M6)

Expanded Model Nomenclature

- |                     |
|---------------------|
| M1 - AMVC950453BXAA |
| M2 - AMVC950704CXAA |
| M3 - AMVC950905DXAA |
| M4 - AMVC951155DXAA |
| M5 - GMVC950453BXAA |
| M6 - GMVC950704CXAA |
| M7 - GMVC950905DXAA |
| M8 - GMVC951155DXAA |

# Chassis

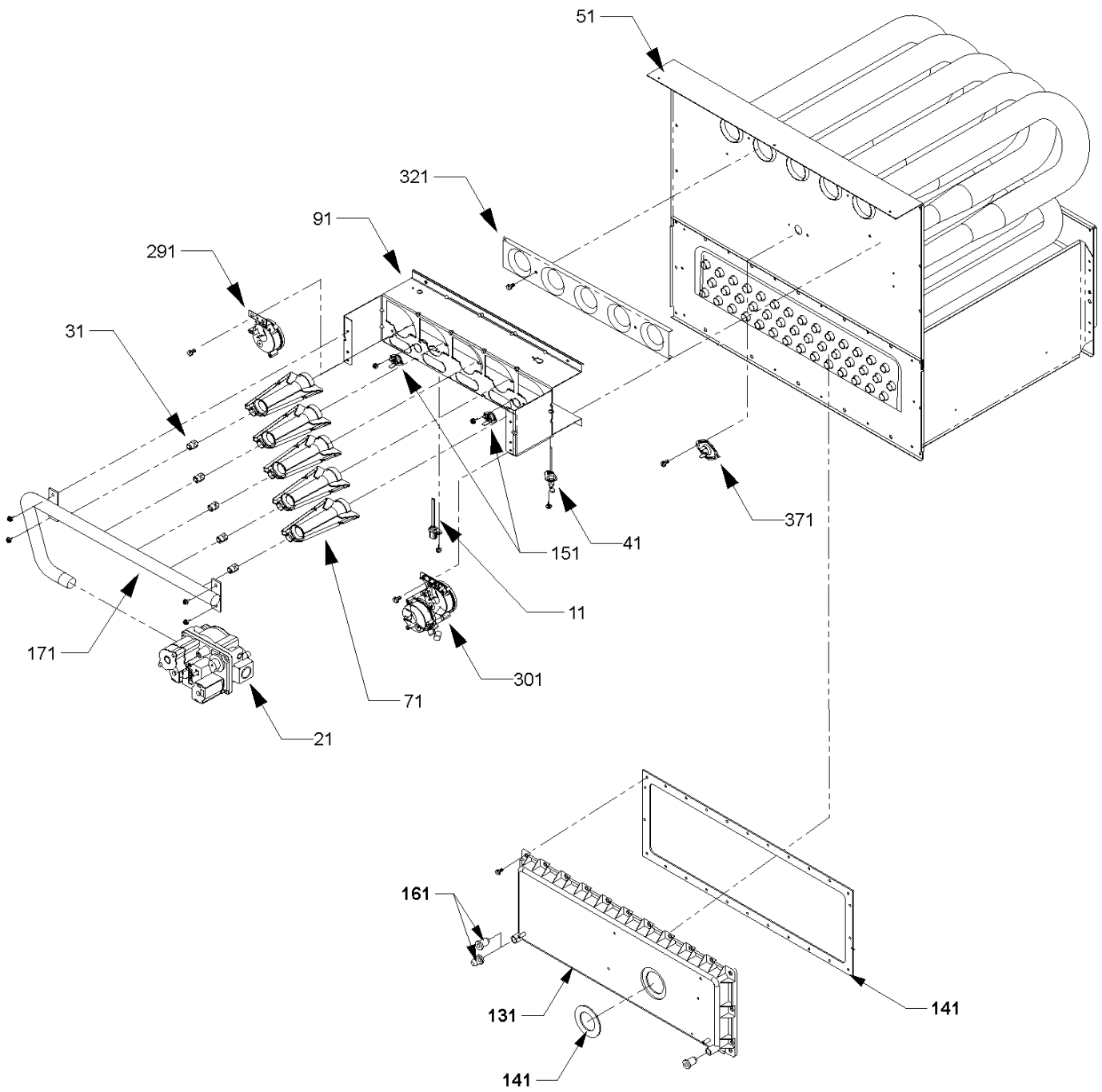




# Chassis

Ref. Part No:	No:	Description:	Ref. Part No:	No:	Description:								
<i>Image 1:</i>			<i>Image 1:</i>										
11	0121F00050DGS	BASE PAN (M1, M5)	811	20194607	GASKET (M3, M4, M7, M8)								
11	0121F00051DGS	BASE PAN (M2, M6)	Expanded Model Nomenclature										
11	0121F00052DG	BASE PAN (M3, M4, M7, M8)	<table border="1"> <tr><td>M1 - AMVC950453BXAA</td></tr> <tr><td>M2 - AMVC950704CXAA</td></tr> <tr><td>M3 - AMVC950905DXAA</td></tr> <tr><td>M4 - AMVC951155DXAA</td></tr> <tr><td>M5 - GMVC950453BXAA</td></tr> <tr><td>M6 - GMVC950704CXAA</td></tr> <tr><td>M7 - GMVC950905DXAA</td></tr> <tr><td>M8 - GMVC951155DXAA</td></tr> </table>			M1 - AMVC950453BXAA	M2 - AMVC950704CXAA	M3 - AMVC950905DXAA	M4 - AMVC951155DXAA	M5 - GMVC950453BXAA	M6 - GMVC950704CXAA	M7 - GMVC950905DXAA	M8 - GMVC951155DXAA
M1 - AMVC950453BXAA													
M2 - AMVC950704CXAA													
M3 - AMVC950905DXAA													
M4 - AMVC951155DXAA													
M5 - GMVC950453BXAA													
M6 - GMVC950704CXAA													
M7 - GMVC950905DXAA													
M8 - GMVC951155DXAA													
31	0121F00043	BLOWER DECK (M1, M5)											
31	0121F00045	BLOWER DECK (M2, M6)											
31	0121F00048	BLOWER DECK (M3, M4, M7, M8)											
81	20273207	BACK PANEL (M1, M5)											
81	20273209	BACK PANEL (M2, M6)											
81	20273211	BACK PANEL (M3, M4, M7, M8)											
91	C6415909	HEAT EXCHANGER INSULATION (M3, M4, M7, M8)											
91	C6415910	HEAT EXCHANGER INSULATION (M1, M5)											
91	C6415911	HEAT EXCHANGER INSULATION (M2, M6)											
101	0121F00018P	DECK RAIL (M1, M5)											
101	0121F00019P	DECK RAIL (M2, M6)											
101	20191303	DECK RAIL (M3, M4, M7, M8)											
111	0270F00001PS	TOP COVER ASSY (M2, M6)											
111	0270F00002PS	TOP COVER ASSY (M3, M4, M7, M8)											
111	0270F00100PS	TOP COVER ASSY (M1, M5)											
121	20191602	SIDE RAIL (M1, M5)											
121	20191603	SIDE RAIL (M2, M6)											
121	20191604	SIDE RAIL (M3, M4, M7, M8)											
131	0154F00000P	COIL GASKET (M1, M5)											
131	0154F00001P	COIL GASKET (M2, M6)											
131	0154F00002P	COIL GASKET (M3, M4, M7, M8)											
141	0121F00092DGS	SIDE PANEL LH											
151	0121F00090DGS	SIDE PANEL RH											
161	20006601	INSULATION (M1, M5)											
161	20006602	INSULATION (M2, M6)											
161	20006603	INSULATION (M3, M4, M7, M8)											
171	20243503	SIDE INSULATION (QTY 2)											
221	B1370818	INTERLOCK SWITCH											
231	22309501	FLUE PIPE											
241	20171802	ELBOW											
271	20245903S	ID BLOWER											
281	20049701	FA COUPLING											
311	0161F00004	JUNCTION BOX-PLA											
391	M0275521	PLASTIC SEALER (QTY AR)											
591	11165107	ID BLOWER SHIELD											
611	0163M00049	HOSE CLAMP (QTY 2)											
701	M0326804	TUBE PLUG											
741	B1392104	UNIVERSAL BUSHING UB 875											
791	20194608	GASKET (QTY 2)											
811	20194605	GASKET (M1, M5)											
811	20194606	GASKET (M2, M6)											

# Heat Exchanger Assy/Manifold/Gas Valve



# Heat Exchanger Assy/Manifold/Gas Valve

**Ref. Part  
No: No:**

**Description:**

**Ref. Part  
No: No:**

**Description:**

*Image 1:*

11	0130F00008S	SINI IGNITOR
21	0151F00000P	GAS VALVE HSI (2-STAGE NAT)
31	10716003	ORIFICE (QTY 2)
41	0130F00010	FLAME SENSOR
51	0257F00143S	HEAT EXCHANGER ASSY 2B (M1, M5)
51	0257F00139	HEAT EXCHANGER ASSY 3B (M6)
51	0257F00146S	HEAT EXCHANGER ASSY 3B (M2)
51	0257F00140	HEAT EXCHANGER ASSY 4B (M7)
51	0257F00140S	HEAT EXCHANGER ASSY 4B (M3)
51	0257F00174S	HEAT EXCHANGER ASSY 5B (M4)
51	0257F00180	HEAT EXCHANGER ASSY 5B (M8)
71	10735102S	BECKETT BURNER (QTY 2)
91	20190410	BURNER BRACKET 2B (M1, M5)
91	20190411	BURNER BRACKET 3B (M2, M6)
91	20190412	BURNER BRACKET 4B (M3, M7)
91	20190413	BURNER BRACKET 5B (M4, M8)
131	20170804AS	FRONT COVER (M1, M5)
131	20170903AS	FRONT COVER (M2, M6)
131	20171003AS	FRONT COVER (M3, M7)
131	20171004AS	FRONT COVER (M4, M8)
141	0154F00000P	COIL GASKET (M1, M5)
141	0154F00001P	COIL GASKET (M2, M6)
141	0154F00002P	COIL GASKET (M3, M4, M7, M8)
151	10123518	MANUAL RESET LIMIT (M1, M5)
151	10123533	MANUAL RESET LIMIT (M2, M4, M6, M8)
151	10123537	MANUAL RESET LIMIT (M2, M3, M6, M7)
161	M0326804	TUBE PLUG (QTY 3)
171	20196401	MANIFOLD - 2 BRNR (M1, M5)
171	20196402	MANIFOLD - 3 BRNR (M2, M6)
171	20196403	MANIFOLD - 4 BRNR (M3, M7)
171	20196404	MANIFOLD - 5 BRNR (M4, M8)
211	0164M00007	PRESSURE SWITCH HOSE (M1, M2, M3, M5, M6, M7, M8)
211	0164M00015	PRESSURE SWITCH HOSE (M4)
291	20197308	PRESSURE SWITCH-YELLOW
301	11177113	PRESSURE SWITCH-GRAY (M1, M2, M5, M6)
301	11177114	PRESSURE SWITCH-OLIVE (M3, M4, M7, M8)
321	11072201	ORIFICE SHIELD (M1, M5)
321	11072202	ORIFICE SHIELD (M2, M6)
321	11072203	ORIFICE SHIELD (M3, M7)
321	11072204	ORIFICE SHIELD (M4, M8)
371	20162907	PRIMARY LIMIT (M2, M6)
371	20162904	PRIMARY LIMIT-TEMPERATURE CONTROL (M4, M8)
371	20162905	PRIMARY LIMIT-YELLOW (M1, M3, M5, M7)

Expanded Model Nomenclature

M1 - AMVC950453BXAA
M2 - AMVC950704CXAA
M3 - AMVC950905DXAA
M4 - AMVC951155DXAA
M5 - GMVC950453BXAA
M6 - GMVC950704CXAA
M7 - GMVC950905DXAA
M8 - GMVC951155DXAA

