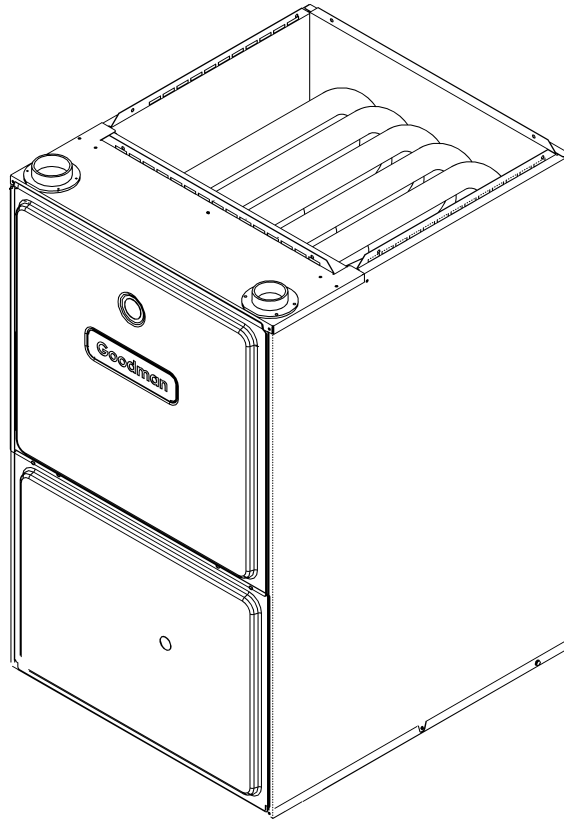




# REPAIR PARTS

## GMS95 Single Stage Upflow Furnace

GMS950453BXAB  
GMS950703BXAB  
GMS950704CXAB  
GMS950904CXAB  
GMS951155DXAB



Made in the USA by:  
Goodman Manufacturing Company, L.P.  
2550 North Loop West, Suite 400  
Houston Texas 77092

[www.goodmanmfg.com](http://www.goodmanmfg.com)

RP-411  
July 2006

# Important Information

---

## Index

Functional Parts List .....	3
Illustration and Parts .....	4 - 13

*Views shown are for parts illustrations only, not servicing procedures*

### Text Codes:

AR - As Required

NA - Not Available

NS - Not Shown

00000000 - See Note

QTY - Quantity Example (QTY 3) (If Quantity not shown, Quantity = 1)

M - Model Example (M1) (If M Code not shown, then part is used on all Models)

### Expanded Model Nomenclature:

Example

M1 - Model#1

M2 - Model#2

M3 - Model#3

Goodman Manufacturing Company, L.P. is not responsible for personal injury or property damage resulting from improper service. Review all service information before beginning repairs.

Warranty service must be performed by an authorized technician, using authorized factory parts. If service is required after the warranty expires, Goodman Manufacturing Company, L.P. also recommends contacting an authorized technician and using authorized factory parts.

Goodman Manufacturing Company, L.P. reserves the right to discontinue, or change at any time, specifications or designs without notice or without incurring obligations. Goodman® brand products are proudly made in the USA.

For assistance within the U.S.A. contact:  
Consumer Affairs Department  
Goodman Manufacturing Company, L.P.  
7401 Security Way  
Houston, Texas 77040  
877-254-4729-Telephone  
713-863-2382-Facsimile

For assistance outside the U.S.A. contact:  
International Division  
Goodman Manufacturing Company, L.P.  
7401 Security Way  
Houston, Texas 77040  
713-861-2500-Telephone  
713-863-2382-Facsimile

# Functional Parts

**Part  
No:**

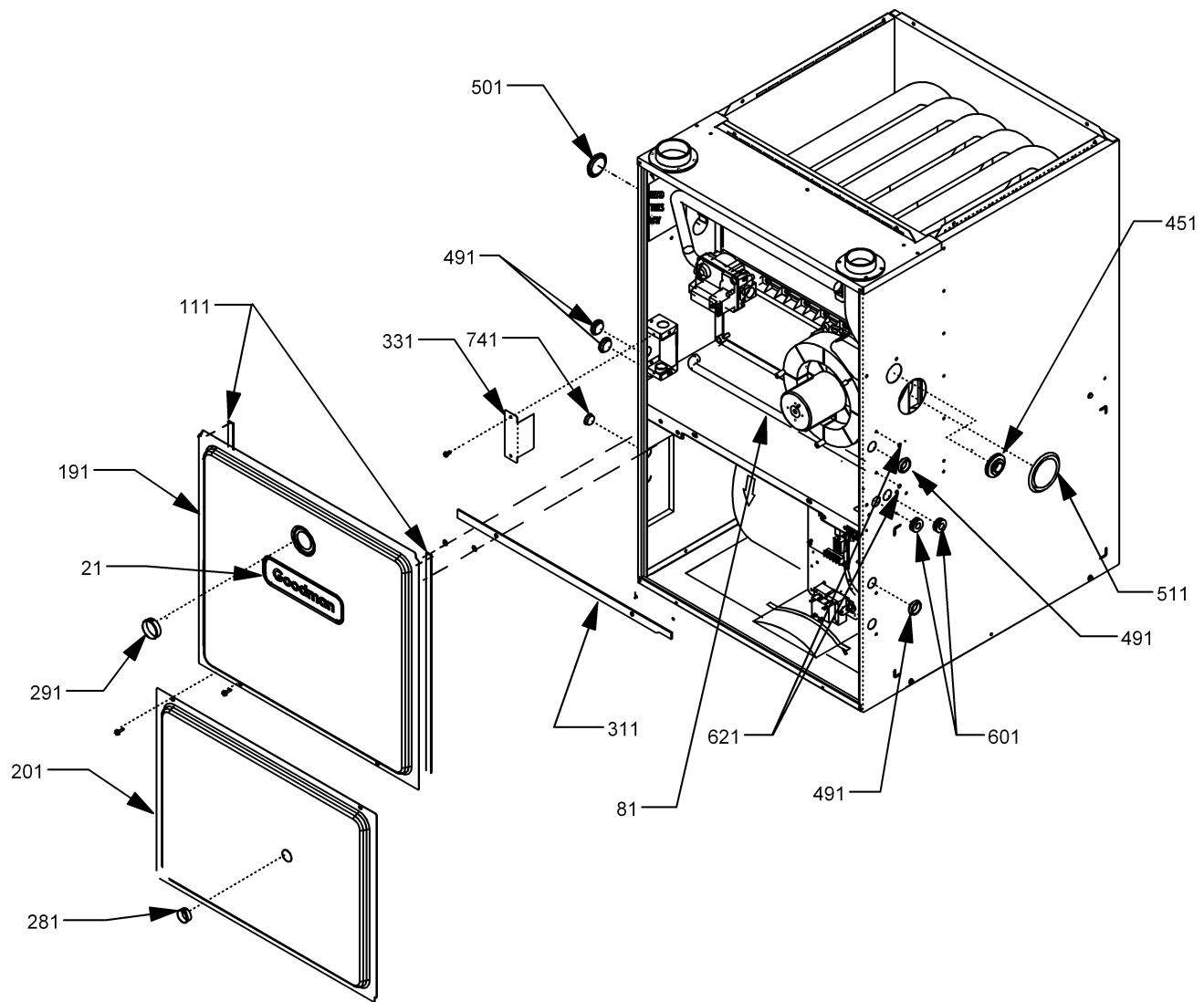
**Description:**

Part No:	Description:							
10735102S	BECKETT BURNER (QTY AR)	22323501	INSTALLATION INSTRUCTIONS-HUMIDIFIER					
22307501S	BLOWER-I.D.	0161F0000P	NAMEPLATE, GOODMAN					
0130F00005	BOARD-CTRL INTEGRATED H.S.I.	RP-411	REPAIR PARTS MANUAL					
B945672	CAPACITOR (M1, M2)	10195517Q	STANDPIPE BAG ASSY					
CAP200000370VA	CAPACITOR (M3, M4)	Expanded Model Nomenclature						
CAP150000370VA	CAPACITOR (M5)	<table border="1"> <tr> <td>M1 - GMS950453BXAB</td> </tr> <tr> <td>M2 - GMS950703BXAB</td> </tr> <tr> <td>M3 - GMS950704CXAB</td> </tr> <tr> <td>M4 - GMS950904CXAB</td> </tr> <tr> <td>M5 - GMS951155DXAB</td> </tr> </table>		M1 - GMS950453BXAB	M2 - GMS950703BXAB	M3 - GMS950704CXAB	M4 - GMS950904CXAB	M5 - GMS951155DXAB
M1 - GMS950453BXAB								
M2 - GMS950703BXAB								
M3 - GMS950704CXAB								
M4 - GMS950904CXAB								
M5 - GMS951155DXAB								
B1282628	GAS VALVE, MANIFOLD (36G)							
0159F00000	HARNES-WIRING MAIN							
0257F00050P	HEAT EXCHANGER ASSY 2B (M1)							
0257F00054	HEAT EXCHANGER ASSY 3B (M3)							
0257F00051P	HEAT EXCHANGER ASSY 3B (M2)							
0257F00052P	HEAT EXCHANGER ASSY 4B (M4)							
0257F00045P	HEAT EXCHANGER ASSY 5B (M5)							
20165703S	IGNITOR							
20162904	LIMIT-PRIMARY (M1, M4)							
20162903	LIMIT-PRIMARY (M2, M3)							
20162906	LIMIT-PRIMARY (M5)							
10123519	LIMIT-RESET MANUAL (M5)							
10123535	LIMIT-RESET MANUAL (M1, M2, M3, M4)							
10123533	LIMIT-RESET MANUAL (QTY AR)							
20196401	MANIFOLD (M1)							
20196403	MANIFOLD (M4)							
20196404	MANIFOLD (M5)							
20196402	MANIFOLD (M2, M3)							
B1340024S	MOTOR, DIRECT DRIVE 1/2 H.P. (M3, M4)							
B1340025S	MOTOR, DIRECT DRIVE 1/3 H.P. (M1, M2)							
10759415	MOTOR-BLOWER 3/4 HP (M5)							
B4089343	ORIFICE (QTY AR)							
20488501	SENSOR-FLAME							
B1370818	SWITCH-INTERLOCK							
20197310	SWITCH-PRESSURE (M4, M5)							
20197312	SWITCH-PRESSURE (M1, M2, M3)							
0130F00001P	SWITCH-PRESSURE (M4)							
0130F00002P	SWITCH-PRESSURE (M2)							
0130F00000P	SWITCH-PRESSURE (M1, M3, M5)							
B1141605	TRANSFORMER 120V TO 24V, 40VA							

## SPECIAL PARTS

PM-GTAXCRDT150	GOODMAN TAX CREDIT 150
HI-115A	HOMEOWNERS INSTRUCTIONS
IO-661	INSTALLATION INSTRUCTIONS
IO-277C	INSTALLATION INSTRUCTIONS

# Cabinet



# Cabinet

<b>Ref. Part No: No:</b>	<b>Description:</b>	<b>Ref. Part No: No:</b>	<b>Description:</b>
<i>Image 1:</i>			
21	0161F00000P		NAMEPLATE, GOODMAN
81	20201902		HOSE-DRAIN
111	20179308		GASKET (QTY 2)
191	20523902		DOOR-ACCESS (M1, M2)
191	20523904		DOOR-ACCESS (M3, M4)
191	20523906		DOOR-ACCESS (M5)
201	20524002		DOOR-BLOWER (M1, M2)
201	20524004		DOOR-BLOWER (M3, M4)
201	20524006		DOOR-BLOWER (M5)
281	B1392139		VIEW PORT BUSHING-BLOWER DOOR
291	11104002		VIEWPORT BUSHING-ACCESS DOOR
311	22320001		GASKET-DECK (M1, M2)
311	22320002		GASKET-DECK (M3, M4)
311	22320003		GASKET-DECK (M5)
331	10736201		COVER-HIGH VOLTAGE BOX
451	M0501301		GROMMET-PIPE
491	M0570808		PLUG-BUTTON (QTY 4)
501	M0570806		PLUG-BUTTON
511	M0570807		PLUG-BUTTON
601	A4691701		GROMMET (QTY 2)
621	M0310345		BUTTON-PLUG (QTY 2)
741	B1392104		UNIVERSAL BUSHING UB 875 (QTY 2)

## Expanded Model Nomenclature

M1 - GMS950453BXAB
M2 - GMS950703BXAB
M3 - GMS950704CXAB
M4 - GMS950904CXAB
M5 - GMS951155DXAB

# Blower Assembly

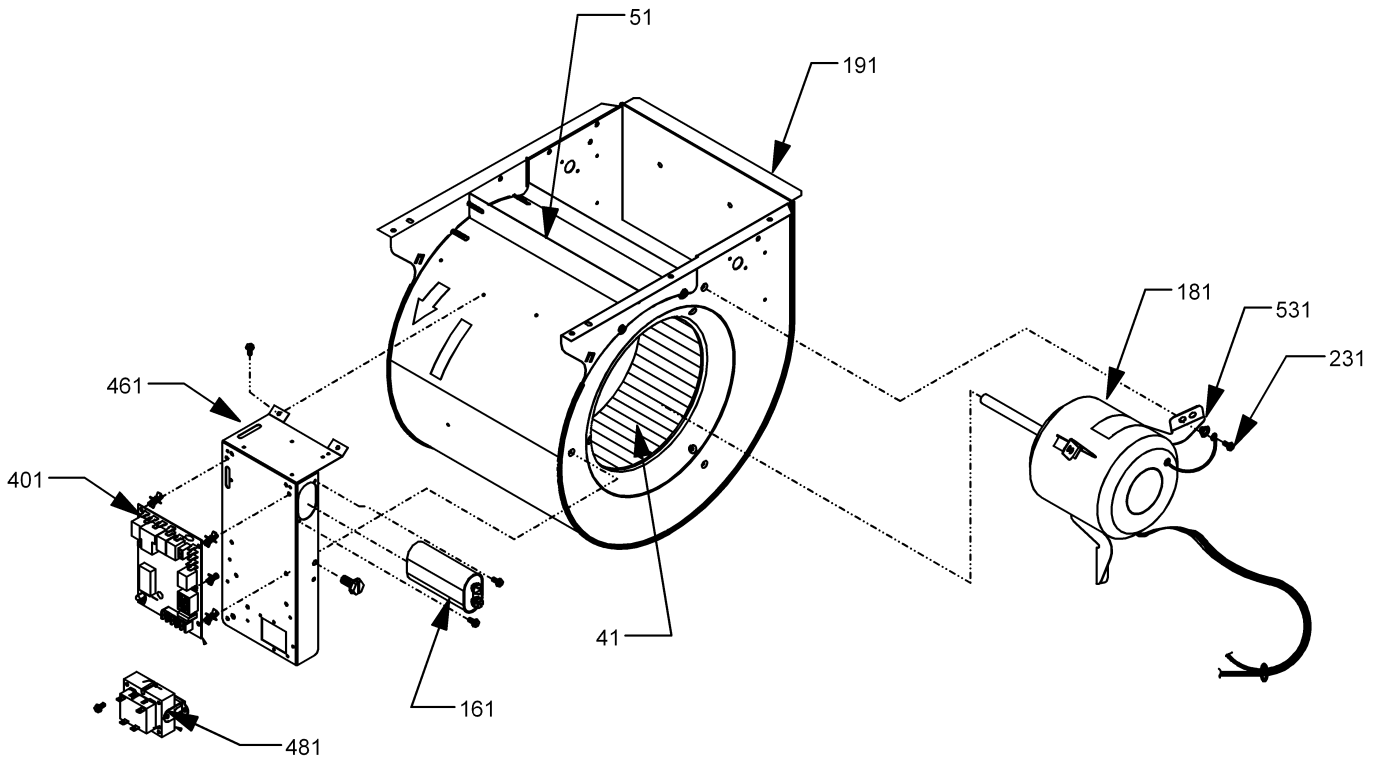
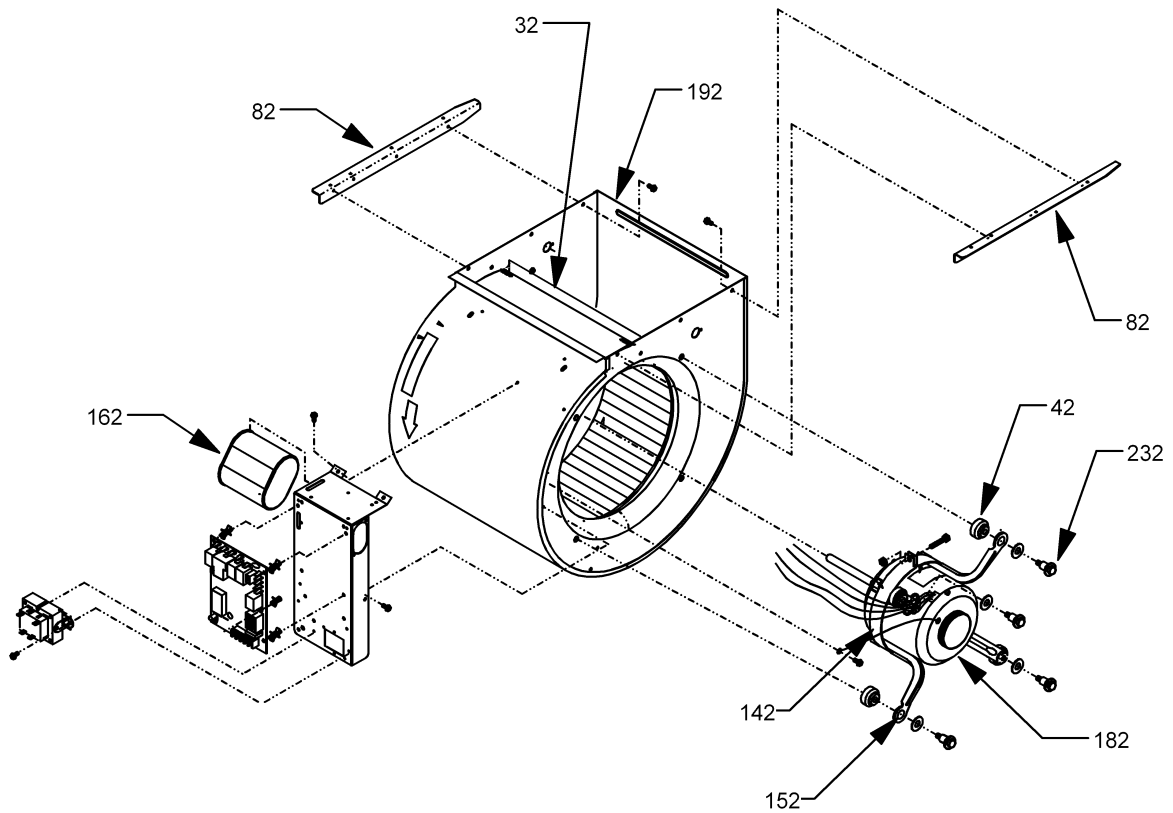


Image 1

Image 2



# Blower Assembly

Ref. Part No: No:	Description:	Ref. Part No: No:	Description:
-------------------	--------------	-------------------	--------------

*Image 1:*

41	D6723311	WHEEL-BLOWER (M5)
41	B1368047	WHEEL-BLOWER 10 X 10 (M3, M4)
41	B1368058S	WHEEL-BLOWER 10 X 8 (M1, M2)
51	764741F	BLOWER BLOCK-OFF 10 X 10 (M3, M4)
51	764740F	BLOWER BLOCK-OFF 10 X 8 (M1, M2)
161	B945672	CAPACITOR (M1, M2)
161	CAP200000370VA	CAPACITOR (M3, M4)
181	B1340024S	MOTOR, DIRECT DRIVE 1/2 H.P. (M3, M4)
181	B1340025S	MOTOR, DIRECT DRIVE 1/3 H.P. (M1, M2)
191	0271F00003P	BLOWER HOUSING ASSY 10 X 10 (M3, M4)
191	0271F00000P	BLOWER HOUSING ASSY 10 X 8 (M1, M2)
231	M0250558	SCREW-TC H (M1, M2, M3, M4)
401	0130F00005	BOARD-CTRL INTEGRATED H.S.I.
461	0121F00025P	BRACKET-CONTROL
481	B1141605	TRANSFORMER 120V TO 24V, 40VA
531	B1392143	GROMMET, 26TAL F/TORSIN FLEX (M1, M2, M3, M4)
NS	0159F00000	HARNES-WIRING MAIN

*Image 2:*

32	C6121807	CUT-OFF (M5)
42	A4002701	GROMMET (M5)
82	20175101	RAIL-BLOWER SIDE (M5)
142	10441601	BAND-MOTOR MOUNT (M5)
152	10441501	ARM-MOTOR MOUNT (M5)
162	CAP150000370VA	CAPACITOR (M5)
182	10759415	MOTOR-BLOWER 3/4 HP (M5)
192	0271F00048	BLOWER HOUSING ASSY 11 X 10 (M5)
232	M0221461	SCREW-TC (M5)

Expanded Model Nomenclature

M1 - GMS950453BXAB
M2 - GMS950703BXAB
M3 - GMS950704CXAB
M4 - GMS950904CXAB
M5 - GMS951155DXAB

# Chassis

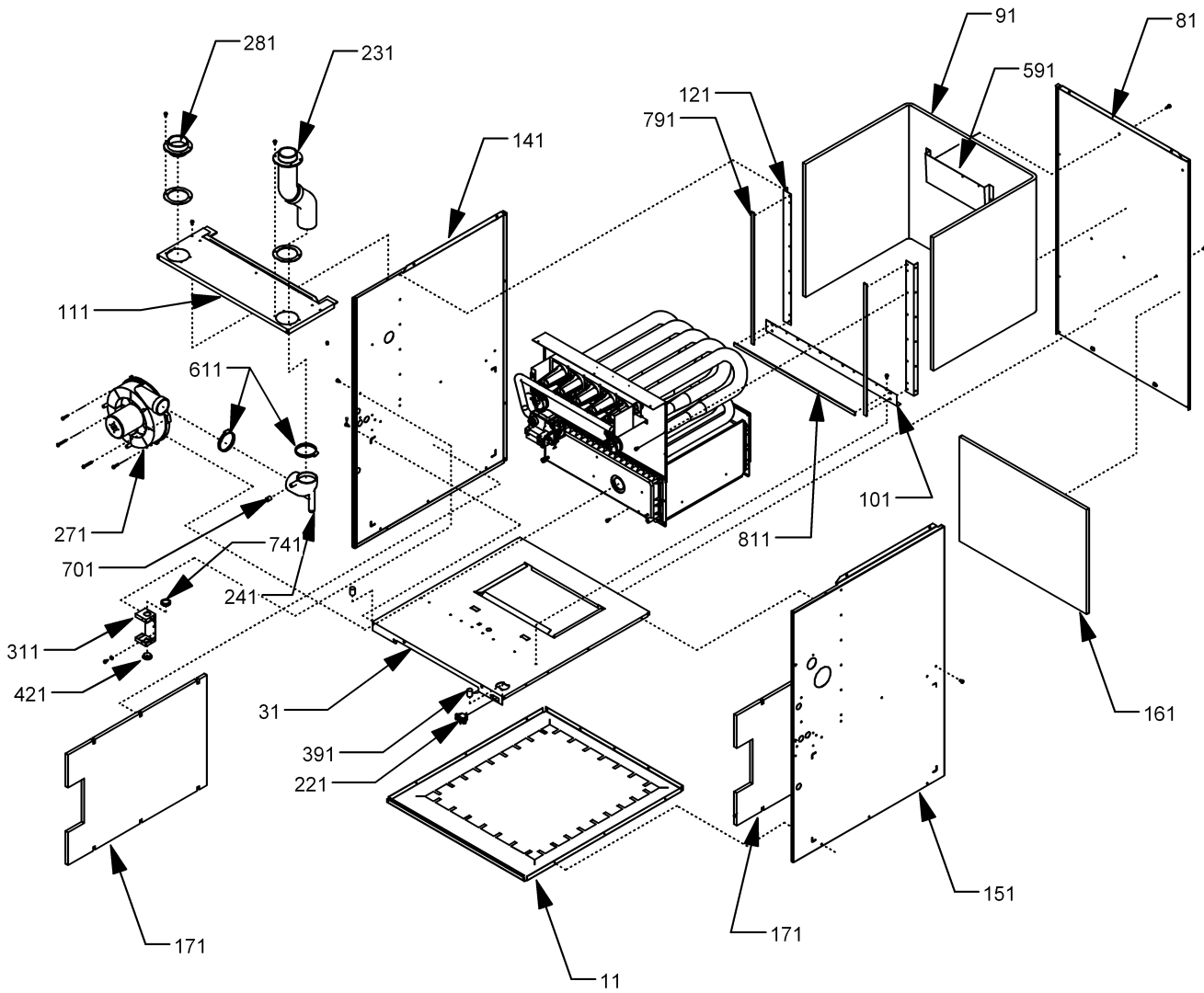
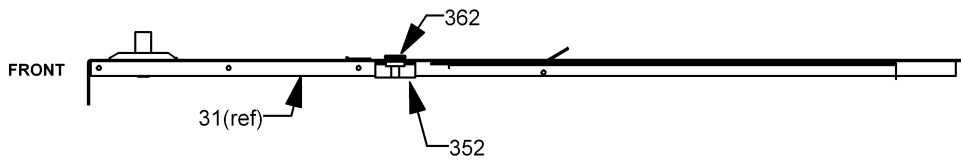


Image 2

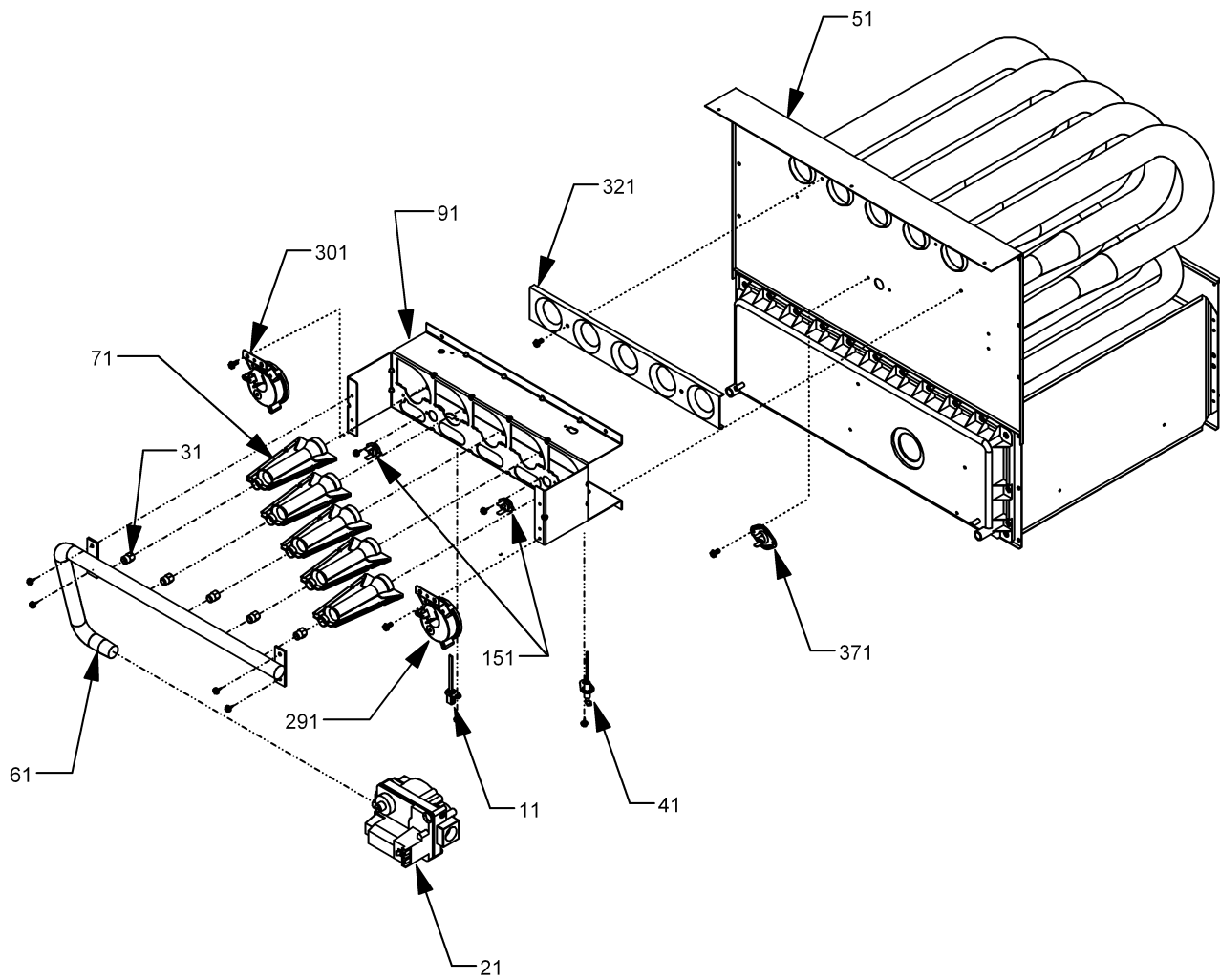




# Chassis

Ref. Part No:	No:	Description:	Ref. Part No:	No:	Description:
<i>Image 1:</i>			362	10123519	LIMIT-RESET MANUAL (M5)
11	0121F00050DG	BASEPAN (M1, M2)	362	10123535	LIMIT-RESET MANUAL (M1, M2, M3, M4)
11	0121F00051DG	BASEPAN (M3, M4)	Expanded Model Nomenclature		
11	0121F00052DG	BASEPAN (M5)	M1 - GMS950453BXAB		
31	0121F00043	DECK-BLOWER 17.5" (M1, M2)	M2 - GMS950703BXAB		
31	0121F00045	DECK-BLOWER 20" (M3, M4)	M3 - GMS950704CXAB		
31	0121F00048	DECK-BLOWER 24.5" (M5)	M4 - GMS950904CXAB		
81	20273208	PANEL-BACK (M1, M2)	M5 - GMS951155DXAB		
81	20273210	PANEL-BACK (M3, M4)			
81	20273212	PANEL-BACK (M5)			
91	C6415909	INSUL-HEAT EXCHANGER (M5)			
91	C6415910	INSUL-HEAT EXCHANGER (M1, M2)			
91	C6415911	INSUL-HEAT EXCHANGER (M3, M4)			
101	0121F00018P	RAIL-DECK (M1, M2)			
101	0121F00019P	RAIL-DECK (M3, M4)			
101	20191303	RAIL-DECK (M5)			
111	0270F00001PS	TOP COVER ASSY (M3, M4)			
111	0270F00002PS	TOP COVER ASSY (M5)			
111	0270F00100P	TOP COVER ASSY (M1, M2)			
121	20191602	RAIL-SIDE (M1, M2)			
121	20191603	RAIL-SIDE (M3, M4)			
121	20191604	RAIL-SIDE (M5)			
141	0121F00035PDG	PANEL-SIDE LH			
151	0121F00033PDG	PANEL-SIDE RH			
161	20006601	INSULATION (M1, M2)			
161	20006602	INSULATION (M3, M4)			
161	20006603	INSULATION (M5)			
171	20243503	INSULATION-SIDE (QTY 2)			
221	B1370818	SWITCH-INTERLOCK			
231	22309501	PIPE-FLUE			
241	20171802	ELBOW			
271	22307501S	BLOWER-I.D.			
281	20049701	COUPLING-FA			
311	10736102	BOX-HIGH VOLTAGE			
391	M0275521	SEALER-PLASTIC			
421	A4554801	BUSHING-SNAP			
591	11165107	SHIELD ID BLOWER			
611	A3326002	CLAMP-HOSE (QTY 2)			
701	M0326804	PLUG-TUBE			
741	B1392104	UNIVERSAL BUSHING UB 875 (QTY 2)			
791	20194608	GASKET (QTY 2)			
811	20194605	GASKET (M1, M2)			
811	20194606	GASKET (M3, M4)			
811	20194607	GASKET (M5)			
<i>Image 2:</i>					
352	10861101	BRACKET-AUX LIMIT			

# Heat Exchanger/Manifold/Gas Valve



# Heat Exchanger/Manifold/Gas Valve

Ref. Part No:	Ref. Part No:	Description:	Description:
---------------	---------------	--------------	--------------

Image 1:

11	20165703S	IGNITOR
21	B1282628	GAS VALVE, MANIFOLD (36G)
31	B4089343	ORIFICE (QTY AR)
41	20488501	SENSOR-FLAME
51	0257F00050P	HEAT EXCHANGER ASSY 2B (M1)
51	0257F00051P	HEAT EXCHANGER ASSY 3B (M2)
51	0257F00054	HEAT EXCHANGER ASSY 3B (M3)
51	0257F00052P	HEAT EXCHANGER ASSY 4B (M4)
51	0257F00045P	HEAT EXCHANGER ASSY 5B (M5)
61	20196401	MANIFOLD (M1)
61	20196402	MANIFOLD (M2, M3)
61	20196403	MANIFOLD (M4)
61	20196404	MANIFOLD (M5)
71	10735102S	BECKETT BURNER (QTY AR)
91	20190410	BRACKET-BURNER 2B (M1)
91	20190411	BRACKET-BURNER 3B (M2, M3)
91	20190412	BRACKET-BURNER 4B (M4)
91	20190413	BRACKET-BURNER 5B (M5)
151	10123533	LIMIT-RESET MANUAL (QTY AR)
291	0130F00000P	SWITCH-PRESSURE (M1, M3, M5)
291	0130F00001P	SWITCH-PRESSURE (M4)
291	0130F00002P	SWITCH-PRESSURE (M2)
301	20197310	SWITCH-PRESSURE (M4, M5)
301	20197312	SWITCH-PRESSURE (M1, M2, M3)
321	11072201	SHIELD-ORIFICE (M1)
321	11072202	SHIELD-ORIFICE (M2, M3)
321	11072203	SHIELD-ORIFICE (M4)
321	11072204	SHIELD-ORIFICE (M5)
371	20162903	LIMIT-PRIMARY (M2, M3)
371	20162904	LIMIT-PRIMARY (M1, M4)
371	20162906	LIMIT-PRIMARY (M5)
NS	0164M00002	HOSE-PRESSURE SWITCH
NS	0164M00002	HOSE-PRESSURE SWITCH (QTY 2)
NS	0164M00009	HOSE-PRESSURE SWITCH
NS	0164M00012	HOSE-PRESSURE SWITCH (M1, M2)
NS	0164M00013	HOSE-PRESSURE SWITCH (M3, M4)
NS	0164M00014	HOSE-PRESSURE SWITCH (M5)

Expanded Model Nomenclature

M1 - GMS950453BXAB
M2 - GMS950703BXAB
M3 - GMS950704CXAB
M4 - GMS950904CXAB
M5 - GMS951155DXAB

# Recupe Coil Assy/Standpipe Bag Assy

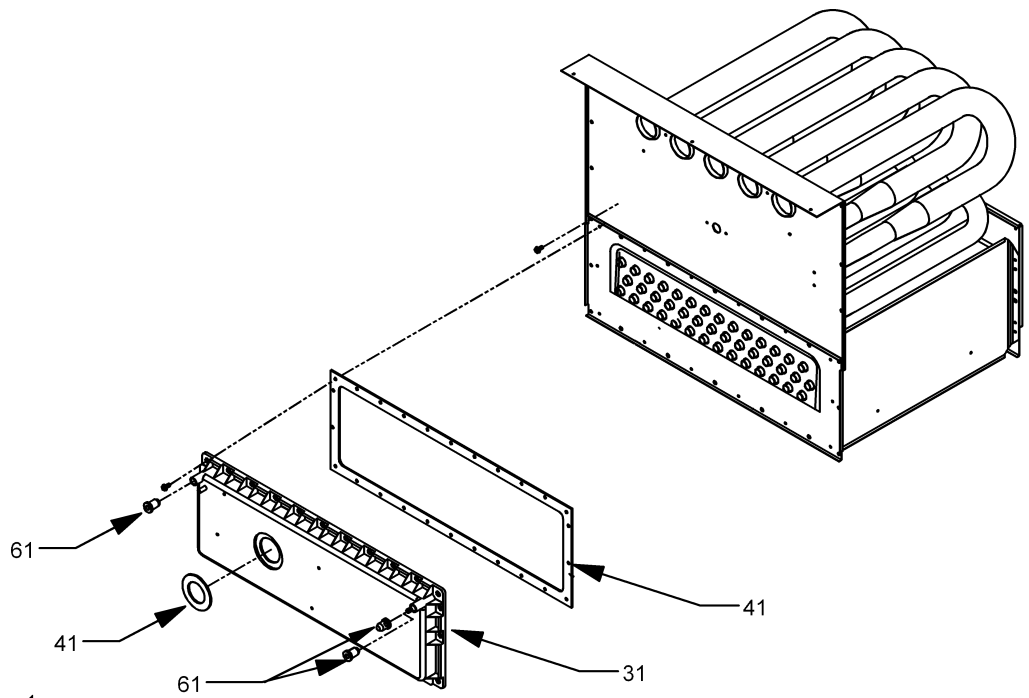
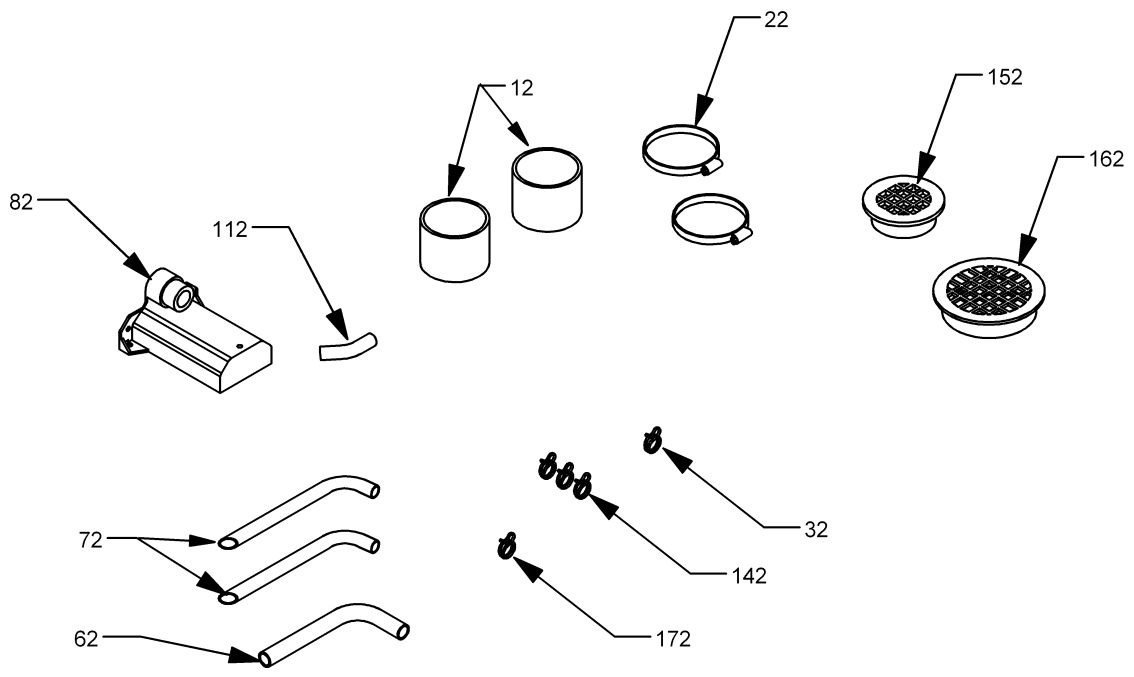


Image 1

Image 2



# Recupe Coil Assy/Standpipe Bag Assy

Ref. Part No:	Ref. Part No:	Description:	Description:
---------------	---------------	--------------	--------------

*Image 1:*

31	20170804A	COVER-FRONT (M1)
31	20170806A	COVER-FRONT (M2)
31	20170901A	COVER-FRONT (M4)
31	20170905A	COVER-FRONT (M3)
31	20171004A	COVER-FRONT (M5)
41	0154F00000P	GASKET-COIL (M1, M2)
41	0154F00001P	GASKET-COIL (M3, M4)
41	0154F00002P	GASKET-COIL (M5)
61	M0326804	PLUG-TUBE (M1, M2, M3, M4)
61	M0326804	PLUG-TUBE (M5)

*Image 2:*

12	10254303	COUPLING-RUBBER
22	A3326002	CLAMP-HOSE (QTY 2)
32	M0119207	CLAMP-HOSE
62	20201901	HOSE-DRAIN
72	20201802	TUBE-DRAIN (QTY 2)
82	20171701	DRAIN TRAP
112	20214203	DRAIN-ANGLE
142	M0119205	CLAMP-HOSE (QTY 3)
152	B2810816	2" MESH INSERT
162	B2810814	3" MESH INSERT
172	M0119206	CLAMP-HOSE

Expanded Model Nomenclature

M1 - GMS950453BXAB
M2 - GMS950703BXAB
M3 - GMS950704CXAB
M4 - GMS950904CXAB
M5 - GMS951155DXAB