



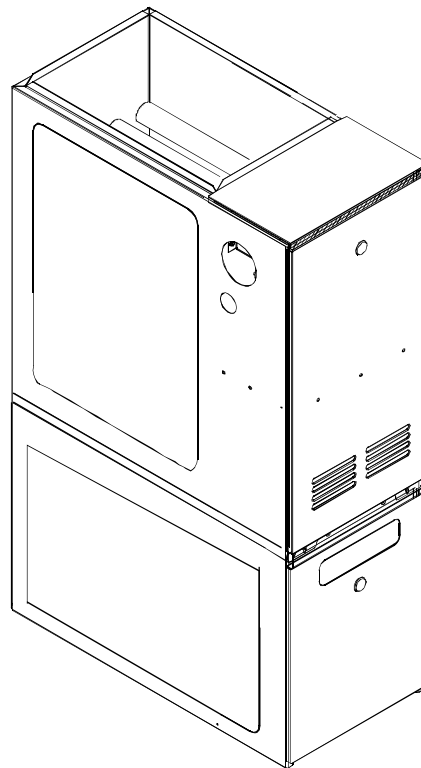
REPAIR PARTS

GMNTE 90% AFUE Gas Furnace Units



Models covered
in this manual

- GMNTE060-3
- GMNTE080-4
- GMNTE100-4
- GMNTE120-5



This manual is to be used by
qualified technicians only.

Made in the USA by:
Goodman Manufacturing Company, L.P.
2550 North Loop West, Suite 400
Houston Texas 77092

RP - 301A
August 2003

This manual replaces RP-301.
Copyright © 2003 Goodman Manufacturing Company, L.P.

Important Information

Goodman Manufacturing Company, L.P. is not responsible for personal injury or property damage resulting from improper service. Review all service information before beginning repairs.

Warranty service must be performed by an authorized technician, using authorized factory parts. If service is required after the warranty expires, Goodman Manufacturing Company, L.P. also recommends contacting an authorized technician and using authorized factory parts.

For assistance within the U.S.A. contact:
Consumer Affairs Department
Goodman Manufacturing Company, L.P.
7401 Security Way
Houston, Texas 77040
877-254-4729-Telephone
713-863-2382-Facsimile

For assistance outside the U.S.A. contact:
International Division
Goodman Manufacturing Company, L.P.
7401 Security Way
Houston, Texas 77040
713-861-2500-Telephone
713-863-2382-Facsimile

Index

Functional Parts List	4 - 5
Illustration and Parts	6 - 15

Views shown are for parts illustrations only, not servicing procedures.

Revision A: Adds the End bell and Motor sold as an assembly.

Text Codes:

AR - As Required

NA - Not Available

NS - Not Shown

00000000 - See Note

QTY - Quantity Example (QTY 3) (If Quantity not shown, Quantity = 1)

M - Model Example (M1) (If M Code not shown, then part is used on all Models)

Expanded Model Nomenclature:

Example
M1 - Model#1
M2 - Model#2
M3 - Model#3

Functional Parts

Part

No: Description:

B1370201	AIR PRESSURE SWITCH, 2 STAGE (M1)
B1370202	AIR PRESSURE SWITCH, 2 STAGE (M3)
B1370204	AIR PRESSURE SWITCH, 2 STAGE (M2)
B1370203	AIR PRESSURE SWITCH, 2 STAGE (M4)
B1370155	AUXILLARY LIMIT SWITCH
B1368047	BLOWER WHEEL, 10X10 (M3)
B1368034	BLOWER WHEEL, 10X6 (M1)
B1368016	BLOWER WHEEL, 10X8 (M2)
B1368000	BLOWER WHEEL, 11X10 (M4)
B1370820	DOOR SWITCH W/ WIRES
13500908GBS	ECM END BELL, ONLY, 1 H.P. (M4)
13500907GBS	ECM END BELL, ONLY, 1 H.P. (M3)
13500905GBS	ECM END BELL, ONLY, 1/2 H.P. (M1)
13500906GBS	ECM END BELL, ONLY, 3/4 H.P. (M2)
B13400907GB	ECM MTR AND END BELL, 1 H.P. ASSY (M3)
B13400908GB	ECM MTR AND END BELL, 1 H.P. ASSY (M4)
B13400905GB	ECM MTR AND END BELL, 1/2 H.P. ASSY (M1)
B13400906GB	ECM MTR AND END BELL, 3/4 H.P. ASSY (M2)
11118705	ECM MTR LOW VOLTAGE 16 WIRE HARNESS
B1378702	ECM MTR POWER HARNESS
B1172606	FLAME SENSOR
B4026001	GAS MANIFOLD, 3 CL (M1)
B4026002	GAS MANIFOLD, 4 CL (M2)
B4026003	GAS MANIFOLD, 5 CL (M3)
B4026004	GAS MANIFOLD, 6 CL (M4)
B4089345	GAS ORIFICE, #45 (QTY AR)
B1282617	GAS VALVE, H.S.I.
B1401015S	HOT SURFACE IGNITOR
B1809925	HSI BOARD W/12-CIRCUIT CONNECTOR
B1141666	INDUCTOR, 5.9 AMPS (M2, M3, M4)
4821401S	PRIMARY HEAT EXCHANGER ASM., 3 CL, 14" (M1)
4821402S	PRIMARY HEAT EXCHANGER ASM., 4 CL, 17.5" (M2)
4821403S	PRIMARY HEAT EXCHANGER ASM., 5 CL, 21" (M3)
4821404S	PRIMARY HEAT EXCHANGER ASM., 6 CL, 24.5" (M4)
B1370188	PRIMARY LIMIT SWITCH, 170F (M1, M2)
B1370190	PRIMARY LIMIT SWITCH, 210F (M3, M4)
B1370145	ROLLOUT SWITCH, 300 W/O BRACKET (QTY 4) (M1, M2, M4)
B1370154	ROLLOUT SWITCH, 350 W/O BRACKET (QTY 4) (M3)
2864604	SECONDARY HEAT EXCHANGER COIL, 14" (M1)
2864605	SECONDARY HEAT EXCHANGER COIL, 17.5" (M2)
2864606	SECONDARY HEAT EXCHANGER COIL, 21" (M3)
2864607	SECONDARY HEAT EXCHANGER COIL, 24.5" (M4)
B1141605	TRANSFORMER
B4833001	VENT MOTOR
4878401S	WIRE HARNESS KIT, GMNTE

Functional Parts

Part

No: Description:

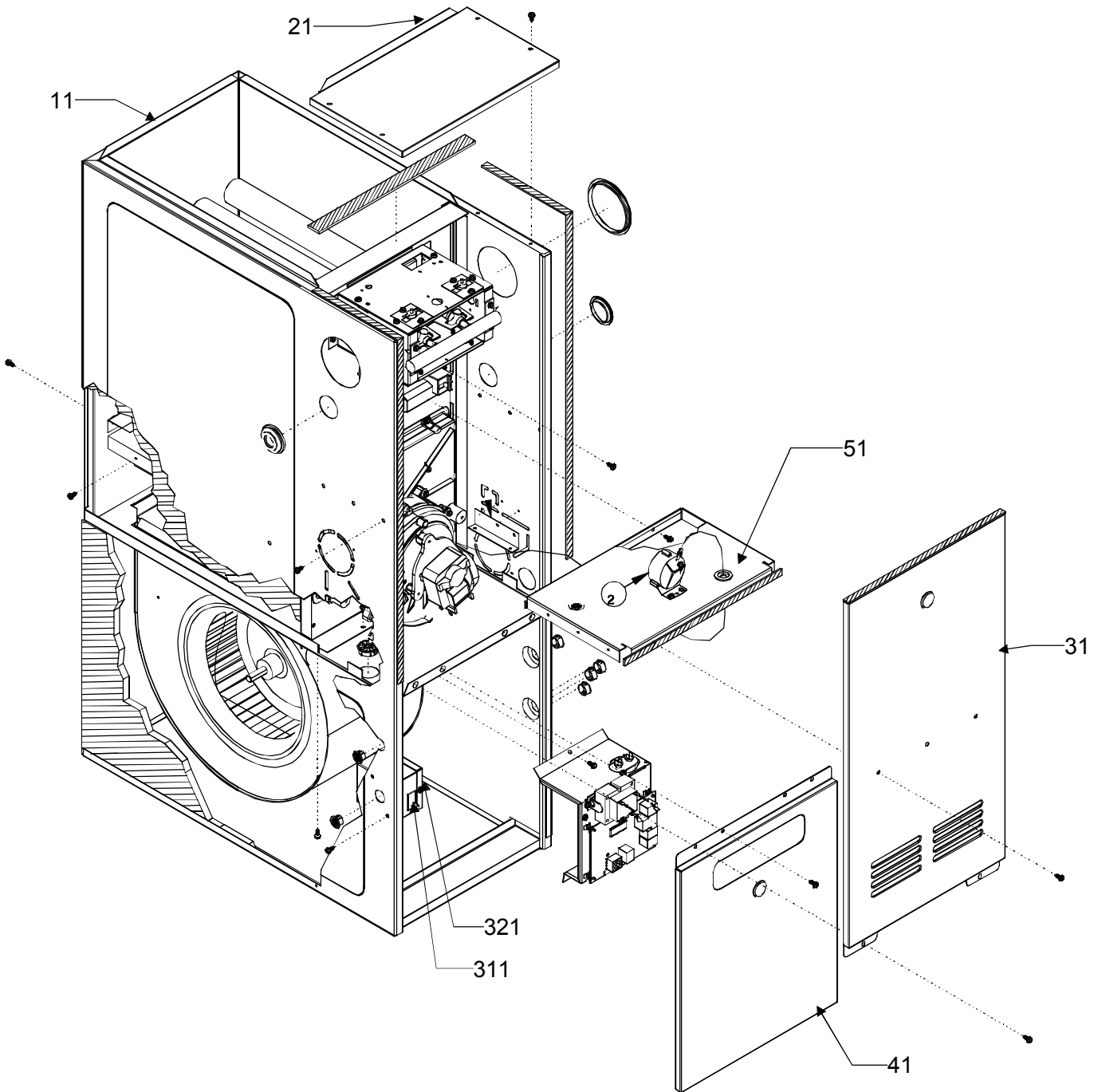
SPECIAL PARTS

IO-231 I & O MANUAL
RP-301A REPAIR PARTS MANUAL
PW-301M WARRANTY

Expanded Model Nomenclature

M1 - GMNTE060-3
M2 - GMNTE080-4
M3 - GMNTE100-4
M4 - GMNTE120-5

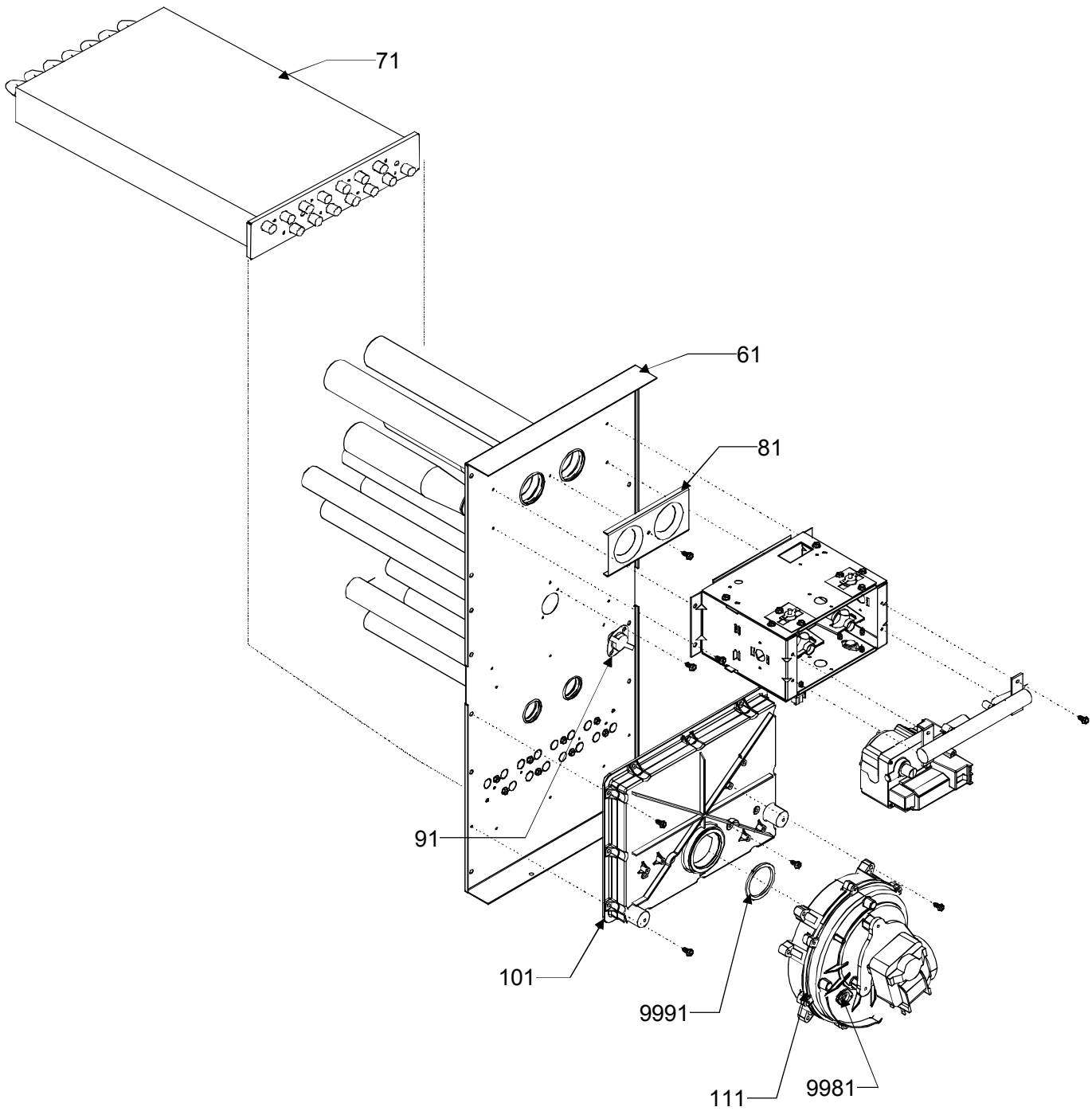
Cabinet



Cabinet

Ref. Part			Ref. Part		
No:	No:	Description:	No:	No:	Description:
<i>Image 1:</i>			331	4015500	JUNCTION BOX COVER
11	4826500S	WRAPPER / INSULATION ASM., 14" (M1)	Expanded Model Nomenclature M1 - GMNTE060-3 M2 - GMNTE080-4 M3 - GMNTE100-4 M4 - GMNTE120-5		
11	4826501S	WRAPPER / INSULATION ASM., 17.5" (M2)			
11	4826502S	WRAPPER / INSULATION ASM., 21" (M3)			
11	4826503S	WRAPPER / INSULATION ASM., 24.5" (M4)			
21	4808000P	TOP, PAINTED, 14" (M1)			
21	4808001P	TOP, PAINTED, 17.5" (M2)			
21	4808002P	TOP, PAINTED, 21" (M3)			
21	4808003P	TOP, PAINTED, 24.5" (M4)			
31	4812000P	ACCESS DOOR 14" (M1) WHEN ORDERING ITEM #31, ALSO ORDER (1) B1392139 AND (2) B13926119			
31	4812001P	ACCESS DOOR 17.5" (M2) WHEN ORDERING ITEM #31, ALSO ORDER (1) B1392139 AND (2) B13926119			
31	4812002P	ACCESS DOOR 21" (M3) WHEN ORDERING ITEM #31, ALSO ORDER (1) B1392139 AND (2) B13926119			
31	4812003P	ACCESS DOOR 24.5" (M4) WHEN ORDERING ITEM #31, ALSO ORDER (1) B1392139 AND (2) B13926119			
31	B13926111	SEAL STRIP, 1/8 X 1/2 X 14 (M1)			
31	B13926112	SEAL STRIP, 1/8 X 1/2 X 17.5 (M2)			
31	B13926113	SEAL STRIP, 1/8 X 1/2 X 21 (M3)			
31	B13926114	SEAL STRIP, 1/8 X 1/2 X 24.5 (M4)			
41	4015000P	BLOWER ACCESS DOOR 14" (M1) WHEN ORDERING ITEM #41, ALSO ORDER (1) B1392139			
41	4015001P	BLOWER ACCESS DOOR 17.5" (M2) WHEN ORDERING ITEM #41, ALSO ORDER (1) B1392139			
41	4015002P	BLOWER ACCESS DOOR 21" (M3) WHEN ORDERING ITEM #41, ALSO ORDER (1) B1392139			
41	4015003P	BLOWER ACCESS DOOR 24.5" (M4) WHEN ORDERING ITEM #41, ALSO ORDER (1) B1392139			
51	4815800	COMBUSTION PANEL, 14" (M1) WHEN ORDERING ITEM #51, ALSO ORDER (1) B1392153 AND (1) B1392155			
51	4815801	COMBUSTION PANEL, 17.5" (M2) WHEN ORDERING ITEM #51, ALSO ORDER (1) B1392153 AND (1) B1392155			
51	4815802	COMBUSTION PANEL, 21" (M3) WHEN ORDERING ITEM #51, ALSO ORDER (1) B1392153 AND (1) B1392155			
51	4815803	COMBUSTION PANEL, 24.5" (M4) WHEN ORDERING ITEM #51, ALSO ORDER (1) B1392153 AND (1) B1392155			
51	B13926111	SEAL STRIP, 1/8 X 1/2 X 14 (M1)			
51	B13926112	SEAL STRIP, 1/8 X 1/2 X 17.5 (M2)			
51	B13926113	SEAL STRIP, 1/8 X 1/2 X 21 (M3)			
51	B13926114	SEAL STRIP, 1/8 X 1/2 X 24.5 (M4)			
321	4014500	JUNCTION BOX			

Heat Exchanger



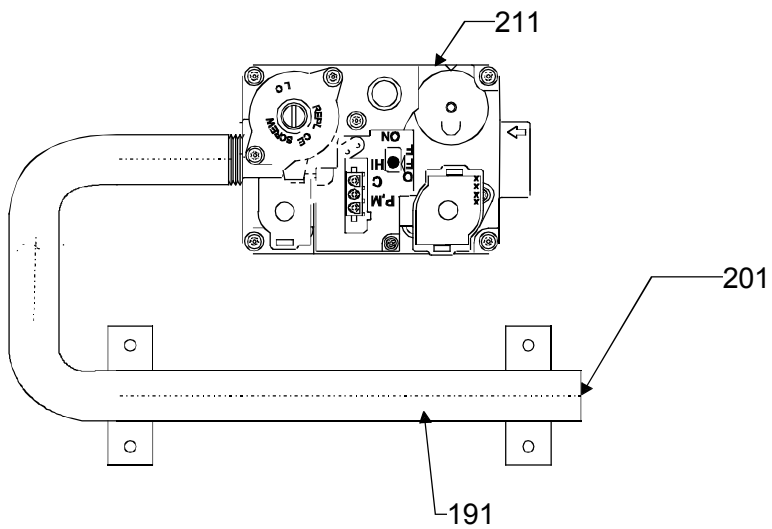
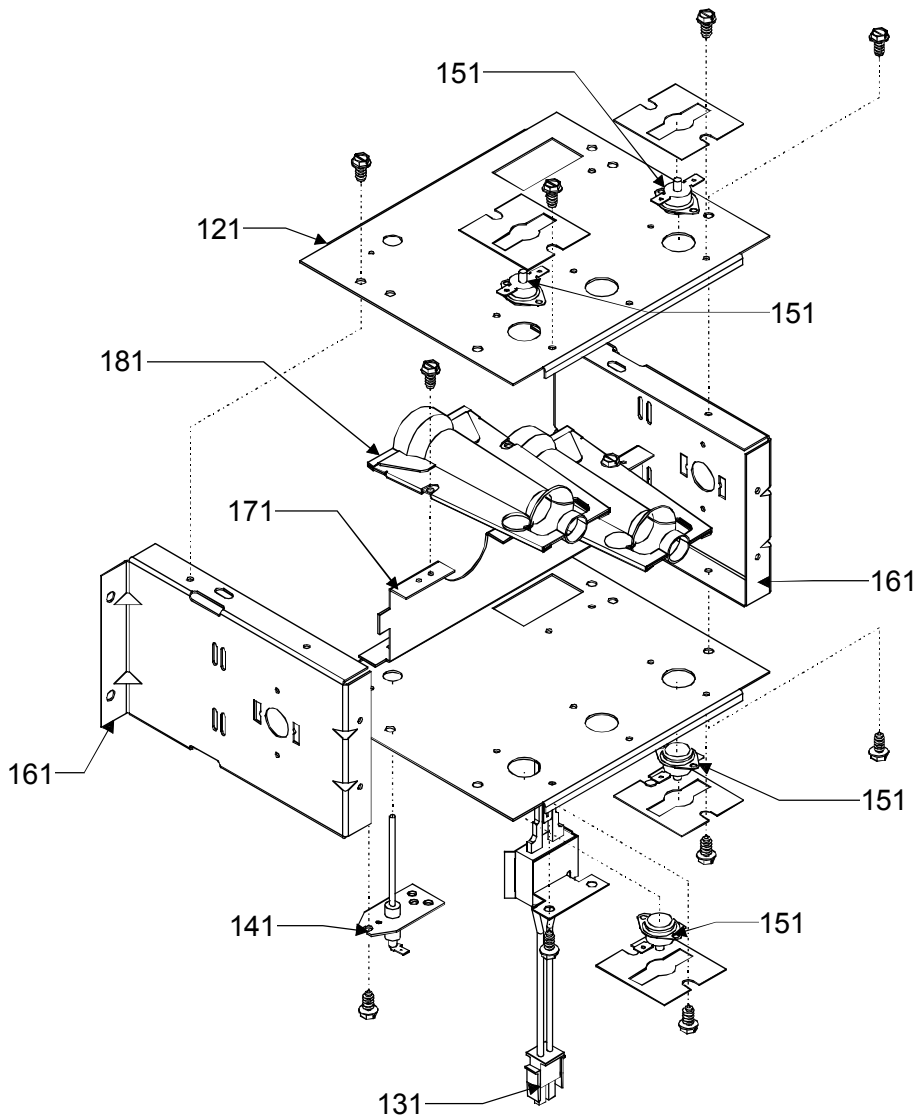
Heat Exchanger

Ref. Part No:	Ref. Part No:	Description:	Description:
<i>Image 1:</i>			
61	4821401S	PRIMARY HEAT EXCHANGER ASM., 3 CL, 14" (M1)	
61	4821402S	PRIMARY HEAT EXCHANGER ASM., 4 CL, 17.5" (M2)	
61	4821403S	PRIMARY HEAT EXCHANGER ASM., 5 CL, 21" (M3)	
61	4821404S	PRIMARY HEAT EXCHANGER ASM., 6 CL, 24.5" (M4)	
71	B2832512	COIL/LOWER INNER FRONT GASKET (M1)	
71	B2832513	COIL/LOWER INNER FRONT GASKET (M2)	
71	B2832514	COIL/LOWER INNER FRONT GASKET (M3)	
71	B2832515	COIL/LOWER INNER FRONT GASKET (M4)	
71	2864604	SECONDARY HEAT EXCHANGER COIL, 14" (M1)	
71	2864605	SECONDARY HEAT EXCHANGER COIL, 17.5" (M2)	
71	2864606	SECONDARY HEAT EXCHANGER COIL, 21" (M3)	
71	2864607	SECONDARY HEAT EXCHANGER COIL, 24.5" (M4)	
81	4028001	ORIFICE PLATE, 3 CL (M1)	
81	4028002	ORIFICE PLATE, 4 CL (M2)	
81	4028003	ORIFICE PLATE, 5 CL (M3)	
81	4028004	ORIFICE PLATE, 6 CL (M4)	
91	B1370188	PRIMARY LIMIT SWITCH, 170F (M1, M2)	
91	B1370190	PRIMARY LIMIT SWITCH, 210F (M3, M4)	
101	4810004S	FLUE COLLECTOR BOX KIT, 14" (M1)	
101	4810005S	FLUE COLLECTOR BOX KIT, 17.5" (M2)	
101	4810006S	FLUE COLLECTOR BOX KIT, 21" (M3)	
101	4810007S	FLUE COLLECTOR BOX KIT, 24.5" (M4)	
111	B4833001	VENT MOTOR	
9981	B1370254	STACK OVER TEMP SWITCH	
9991	B2864906	FLUE RESTRICTOR PLATE, 1.063" (M1)	
9991	B2864907	FLUE RESTRICTOR PLATE, 1.375" (M2)	
9991	B2864905	FLUE RESTRICTOR PLATE, 1.50" (M3)	

Expanded Model Nomenclature

M1 - GMNTE060-3
M2 - GMNTE080-4
M3 - GMNTE100-4
M4 - GMNTE120-5

Burner Box/Manifold



Burner Box/Manifold

Ref. Part No:	No:	Description:	Ref. Part No:	No:	Description:
<i>Image 1:</i>					
121	4013001	BURNER BOX TOP, 3 CL (QTY 2) (M1)			
121	4013002	BURNER BOX TOP, 4 CL (QTY 2) (M2)			
121	4013003	BURNER BOX TOP, 5 CL (QTY 2) (M3)			
121	4013004	BURNER BOX TOP, 6 CL (QTY 2) (M4)			
131	B1401015S	HOT SURFACE IGNITOR			
141	B1172606	FLAME SENSOR			
151	B1370145	ROLLOUT SWITCH, 300 W/O BRACKET (QTY 4) (M1, M2, M4)			
151	B1370154	ROLLOUT SWITCH, 350 W/O BRACKET (QTY 4) (M3)			
161	2514000	BURNER BOX SIDE (QTY 2)			
171	2513501	BURNER RACK, 3 CL (M1)			
171	2513502	BURNER RACK, 4 CL (M2)			
171	2513503	BURNER RACK, 5 CL (M3)			
171	2513504	BURNER RACK, 6 CL (M4)			
181	B4022700	INSHOT BURNER, 3" (QTY AR)			
191	B4026001	GAS MANIFOLD, 3 CL (M1)			
191	B4026002	GAS MANIFOLD, 4 CL (M2)			
191	B4026003	GAS MANIFOLD, 5 CL (M3)			
191	B4026004	GAS MANIFOLD, 6 CL (M4)			
201	B4089345	GAS ORIFICE, #45 (QTY AR)			
211	B1282617	GAS VALVE, H.S.I.			

Expanded Model Nomenclature

M1 - GMNTE060-3
M2 - GMNTE080-4
M3 - GMNTE100-4
M4 - GMNTE120-5

Blower Assy/Drain Kit

Image 1

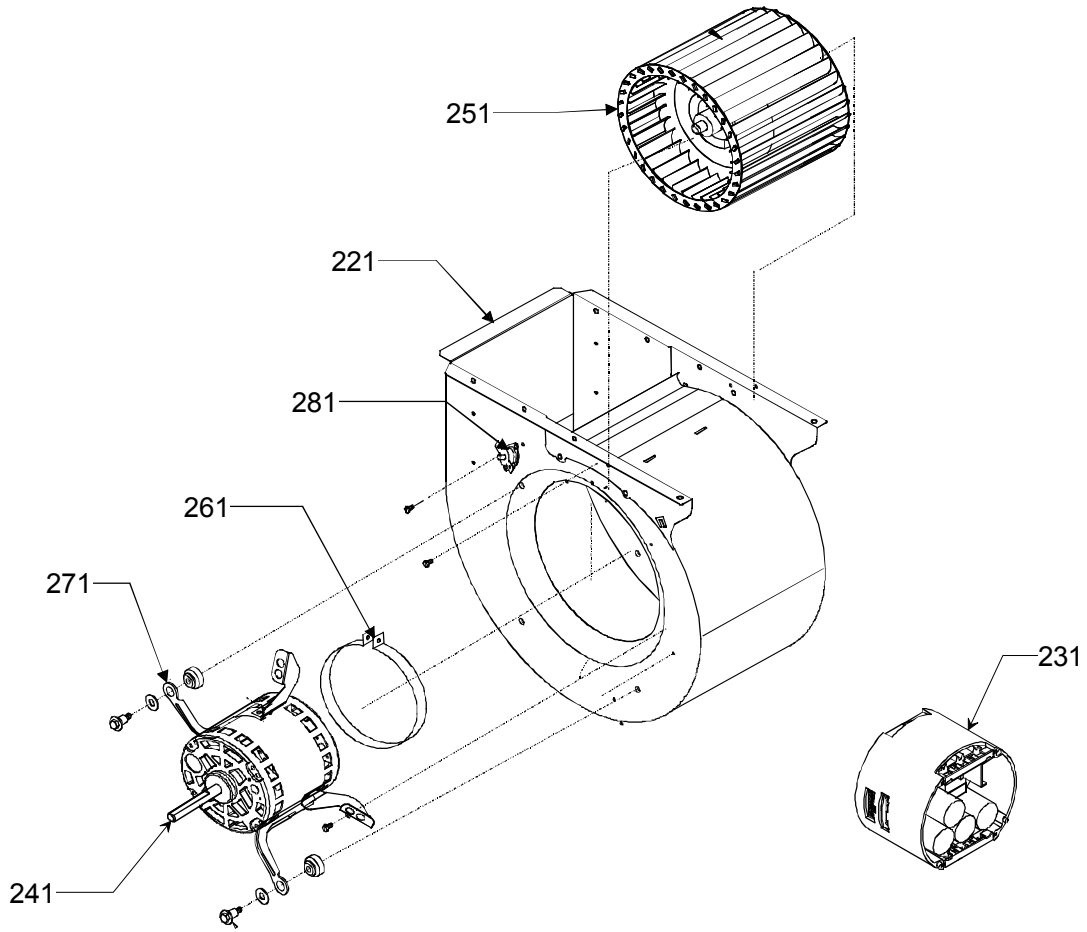
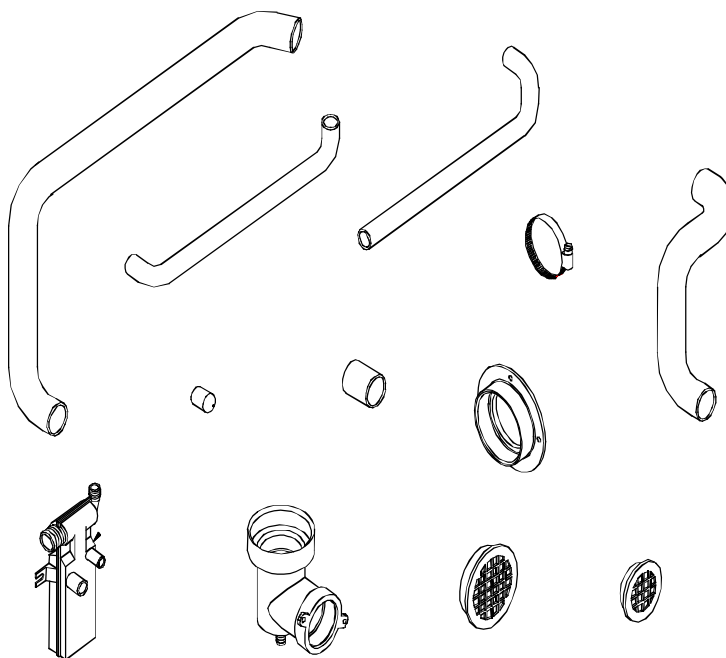


Image 2

Drain Kit
402



Blower Assy/Drain Kit

Ref. Part No:	Ref. Part No:	Description:	Description:
---------------	---------------	--------------	--------------

Image 1:

221	2539307	BLOWER SHELL ASM., 10x10 (M3)
221	2539305	BLOWER SHELL ASM., 10x6 (M1)
221	2539306	BLOWER SHELL ASM., 10x8 (M2)
221	2539302	BLOWER SHELL ASM., 11x10 (M4)
231	13500907GBS	ECM END BELL, ONLY, 1 H.P. (M3)
231	13500908GBS	ECM END BELL, ONLY, 1 H.P. (M4)
231	13500905GBS	ECM END BELL, ONLY, 1/2 H.P. (M1)
231	13500906GBS	ECM END BELL, ONLY, 3/4 H.P. (M2)
241	B13400907GB	ECM MTR AND END BELL, 1 H.P. ASSY (M3)
241	B13400908GB	ECM MTR AND END BELL, 1 H.P. ASSY (M4)
241	B13400905GB	ECM MTR AND END BELL, 1/2 H.P. ASSY (M1)
241	B13400906GB	ECM MTR AND END BELL, 3/4 H.P. ASSY (M2)
251	B1368047	BLOWER WHEEL, 10X10 (M3)
251	B1368034	BLOWER WHEEL, 10X6 (M1)
251	B1368016	BLOWER WHEEL, 10X8 (M2)
251	B1368000	BLOWER WHEEL, 11X10 (M4)
261	B1376851	MOTOR MOUNT BAND
271	B1376853	MOTOR MOUNT ARM (QTY 3) (M1, M2, M3)
271	B1376857	MOTOR MOUNT ARM (QTY 3) (M4)
281	B1370155	AUXILLARY LIMIT SWITCH

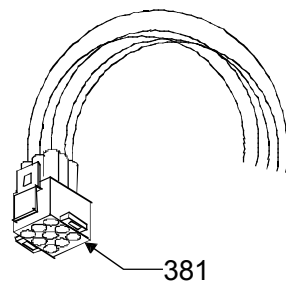
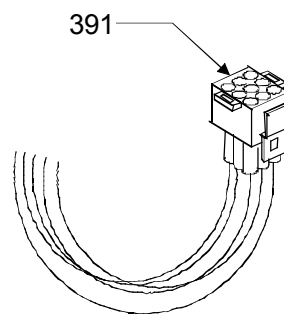
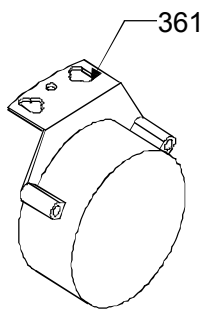
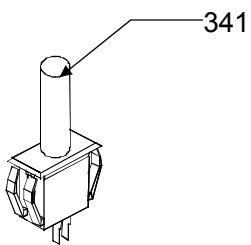
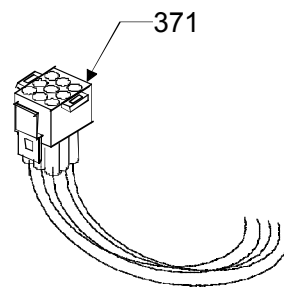
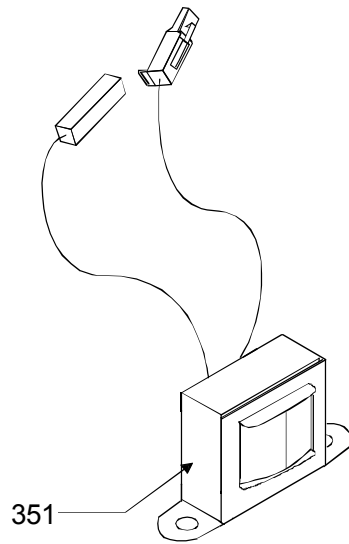
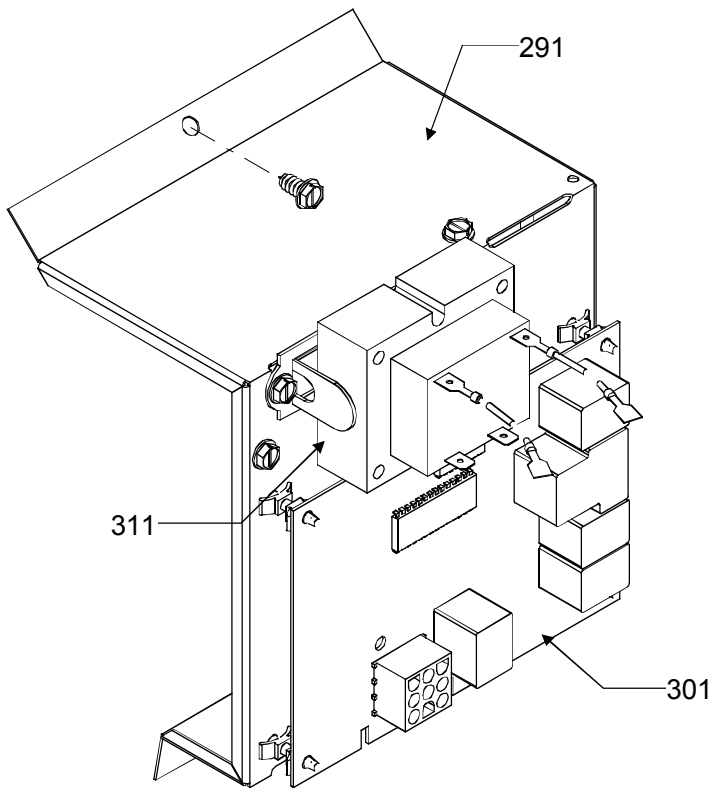
Image 2:

402	B4810708	DRAIN KIT ASM., 14" (M1)
402	B4810709	DRAIN KIT ASM., 17.5" (M2)
402	B4810710	DRAIN KIT ASM., 21" (M3)
402	B4810711	DRAIN KIT ASM., 24.5" (M4)

Expanded Model Nomenclature

M1 - GMNTE060-3
M2 - GMNTE080-4
M3 - GMNTE100-4
M4 - GMNTE120-5

Control Board/Misc.



Control Board/Misc.

Ref. Part No:	No:	Description:	Ref. Part No:	No:	Description:
---------------	-----	--------------	---------------	-----	--------------

Image 1:

291	1815812	CONTROL MOUNT PANEL
301	B1809925	HSI BOARD W/12-CIRCUIT CONNECTOR
311	B1141605	TRANSFORMER
341	B1370820	DOOR SWITCH W/ WIRES
351	B1141666	INDUCTOR, 5.9 AMPS (M2, M3, M4)
361	B1370201	AIR PRESSURE SWITCH, 2 STAGE (M1)
361	B1370202	AIR PRESSURE SWITCH, 2 STAGE (M3)
361	B1370203	AIR PRESSURE SWITCH, 2 STAGE (M4)
361	B1370204	AIR PRESSURE SWITCH, 2 STAGE (M2)
371	4878401S	WIRE HARNESS KIT, GMNTE
381	B1378702	ECM MTR POWER HARNESS
391	11118705	ECM MTR LOW VOLTAGE 16 WIRE HARNESS

Expanded Model Nomenclature

M1 - GMNTE060-3
M2 - GMNTE080-4
M3 - GMNTE100-4
M4 - GMNTE120-5