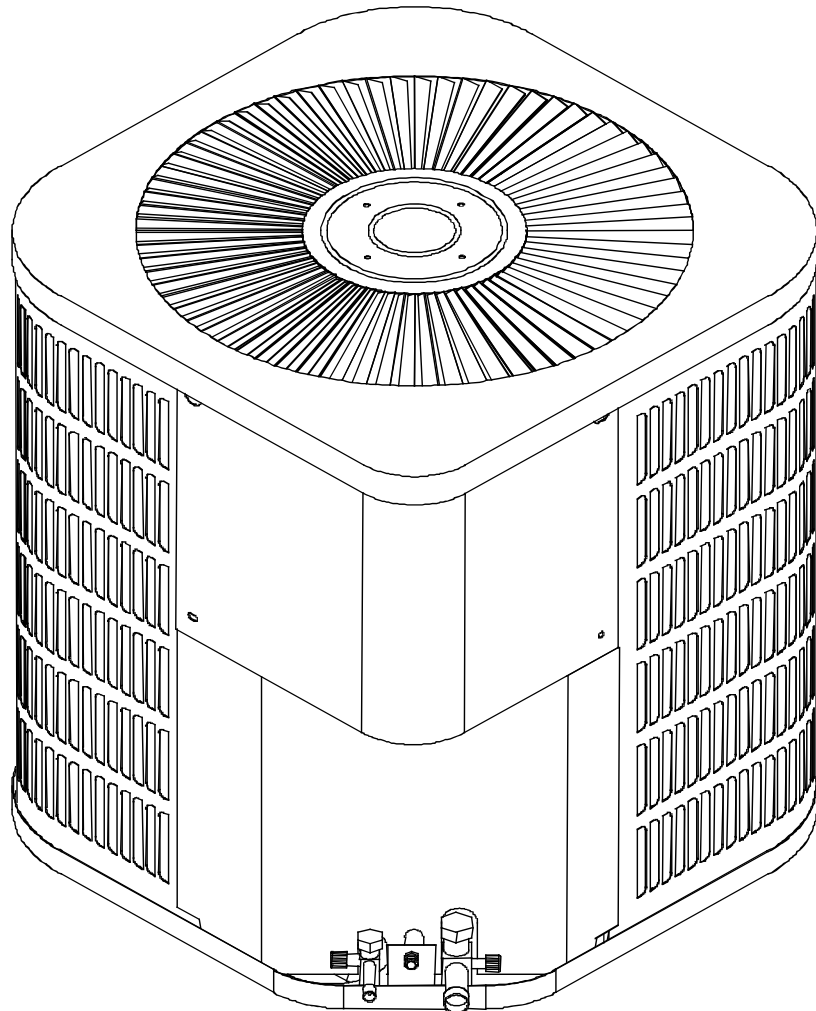


CPLJ 12 SEER Condensing Units

CPLJ18-1
CPLJ18-1A
CPLJ24-1
CPLJ24-1A
CPLJ30-1
CPLJ30-1A
CPLJ36-1
CPLJ36-1A
CPLJ42-1
CPLJ42-1A
CPLJ48-1
CPLJ48-1A
CPLJ60-1
CPLJ60-1A



This manual is to be used by qualified technicians only.

This manual replaces RP-277E.

© 2003-2005, 2007, 2009 Goodman Manufacturing Company, L.P. ♦ 5151 San Felipe, Suite 500 ♦ Houston, TX 77056

Important Information

Index

Functional Parts List	3
Illustration and Parts	4 - 9

Views shown are for parts illustrations only, not servicing procedures.

Revision F: Updated condenser coils, condenser motors, defrost control board and fan grille.

Text Codes:

AR - As Required

NA - Not Available

NS - Not Shown

00000000 - See Note

QTY - Quantity Example (QTY 3) (If Quantity not shown, Quantity = 1)

M - Model Example (M1) (If M Code not shown, then part is used on all Models)

Expanded Model Nomenclature:

Example M1 - Model#1 M2 - Model#2 M3 - Model#3

Goodman Manufacturing Company, L.P. is not responsible for personal injury or property damage resulting from improper service. Review all service information before beginning repairs.

Warranty service must be performed by an authorized technician, using authorized factory parts. If service is required after the warranty expires, Goodman Manufacturing Company, L.P. also recommends contacting an authorized technician and using authorized factory parts.

Goodman Manufacturing Company, L.P. reserves the right to discontinue, or change at any time, specifications or designs without notice or without incurring obligations.

For assistance within the U.S.A. contact:
Consumer Affairs Department
Goodman Manufacturing Company, L.P.
7401 Security Way
Houston, Texas 77040
877-254-4729-Telephone
713-863-2382-Facsimile

For assistance outside the U.S.A. contact:
International Division
Goodman Manufacturing Company, L.P.
7401 Security Way
Houston, Texas 77040
713-861-2500-Telephone
713-863-2382-Facsimile

Functional Parts

Part No: **Description:**

CAP050250440RSS	CAPACITOR 5/25/440V [CONTROL BOX] (M2)
CAP050300370RSS	CAPACITOR 5/30/370V [CONTROL BOX] (M1, M3, M4)
CAP050350440RSS	CAPACITOR 5/35/440V [CONTROL BOX] (M5)
CAP050400370RSS	CAPACITOR 5/40/370V [CONTROL BOX] (M7)
CAP050450370RSS	CAPACITOR 5/45/370V [CONTROL BOX] (M6, M8, M9, M11)
CAP050500440RTS	CAPACITOR 5/50/440V [CONTROL BOX] (M10)
CAP050600440RTS	CAPACITOR 5/60/440V [CONTROL BOX] (M12, M13)
CAP050800440RTS	CAPACITOR 5/80/440V [CONTROL BOX] (M14)
CR18K6PFV960	COMPRESSOR 18000, 208/230/60/1 (M2)
CR20K6PFV960	COMPRESSOR 19600, 208/230/60/1 (M4)
CR22K6PFV960	COMPRESSOR 22100, 208/230/60/1 (M3)
ZR28K3PFV930	COMPRESSOR 28500, 208/230/60/1 (M6)
CR30K6PFV960	COMPRESSOR 30000, 208/230/60/1 (M5)
ZR32K3PFV930	COMPRESSOR 32600, 208/230/60/1 (M8)
CR35K6PFV960	COMPRESSOR 35000, 208/230/60/1 (M7, M9)
ZR36K3PFV930	COMPRESSOR 36900, 208/230/60/1 (M10)
CR42K6PFV960	COMPRESSOR 41900, 380/420/60/1 (M11)
ZR42K3PFV930	COMPRESSOR 42800, 208/230/60/1 (M12)
ZR48K3PFV935	COMPRESSOR 49800, 208/230/60/1 (M13)
ZR54K3PFV930	COMPRESSOR 55000, 208/230/60/1 (M14)
B9266842AS	COMPRESSOR H29B15UABCA (M1)
0131M00008PS	COND MOTOR 1/3 HP, 1 SP, 6 PL (M14)
0131M00007PS	COND MOTOR 1/4 HP, 1 SP, 6 PL (M9, M10, M11, M12, M13)
0131M00009PS	COND MOTOR 1/6 HP, 1 SP, 8 PL (M1, M2, M3, M4, M5, M6, M7, M8)
CONT2P025024VS	CONTACTOR 25 AMP, 2P, 24V (M1, M2, M3, M4, M5, M6, M7, M8, M9, M10)
CONT2P030024VS	CONTACTOR 30 AMP, 2P, 24V (M11, M12)
CONT2P040024VS	CONTACTOR 40 AMP, 2P, 24V (M13, M14)
B1360719	CUT-OUT SWITCH, LOW PRESSURE
PCBDM101S	DEFROST CONTROL BOARD
B1370803	DEFROST THERMOSTAT
B1141670	START ASSIST 305C20A CERA-MITE (M5, M7, M9, M11)

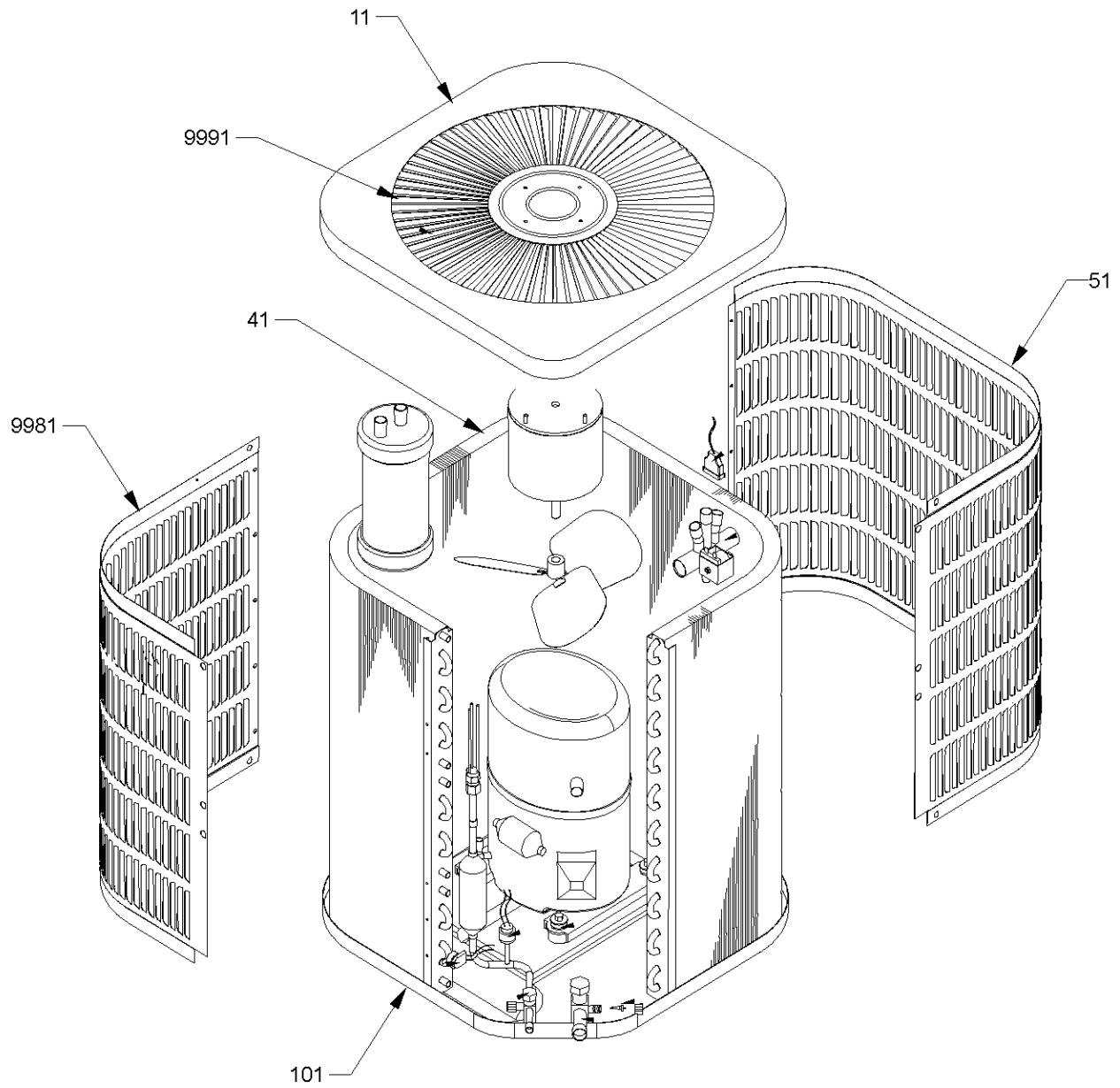
SPECIAL PARTS

IO-103G	INSTALLATION INSTRUCTIONS
B4400000	NAME PLATE (M1, M2, M3, M4, M6, M8, M10, M12, M14)
B1610629	POWDER PAINT (BAHAMA BEIGE)
RP-277F	REPAIR PARTS MANUAL

Expanded Model Nomenclature

M1 - CPLJ18-1
M2 - CPLJ18-1A
M3 - CPLJ24-1
M4 - CPLJ24-1A
M5 - CPLJ30-1
M6 - CPLJ30-1A
M7 - CPLJ36-1
M8 - CPLJ36-1A
M9 - CPLJ42-1
M10 - CPLJ42-1A
M11 - CPLJ48-1
M12 - CPLJ48-1A
M13 - CPLJ60-1
M14 - CPLJ60-1A

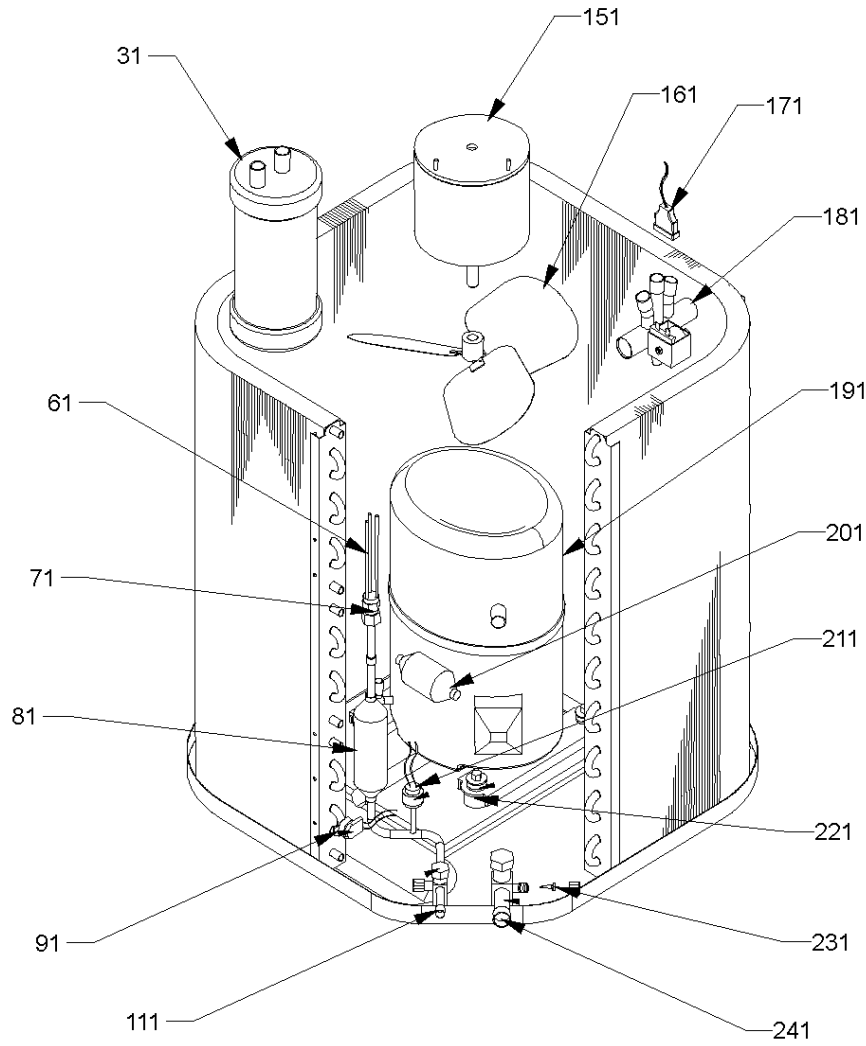
Cabinet



Cabinet

Ref. Part No:	No:	Description:	Ref. Part No:	No:	Description:
<i>Image 1:</i>			Expanded Model Nomenclature		
11	1779405PDG	TOP PANEL (M1, M2)	M1	-	CPLJ18-1
11	1779412P	TOP PANEL (M14)	M2	-	CPLJ18-1A
11	1779415PDG	TOP PANEL (M3, M4, M5, M6, M7, M8, M9, M10, M11, M12, M13)	M3	-	CPLJ24-1
41	1262209	TUBING ASSY, COND COIL W/FILTER DRIER (M1, M2)	M4	-	CPLJ24-1A
41	1262210	TUBING ASSY, COND COIL W/FILTER DRIER (M3)	M5	-	CPLJ30-1
41	1262214	TUBING ASSY, COND COIL W/FILTER DRIER (M5, M6)	M6	-	CPLJ30-1A
41	1262218	TUBING ASSY, COND COIL W/FILTER DRIER (M7, M8)	M7	-	CPLJ36-1
41	1262226	TUBING ASSY, COND COIL W/FILTER DRIER (M9, M10, M12)	M8	-	CPLJ36-1A
41	1262230	TUBING ASSY, COND COIL W/FILTER DRIER (M14)	M9	-	CPLJ42-1
41	1262242	TUBING ASSY, COND COIL W/FILTER DRIER (M4)	M10	-	CPLJ42-1A
41	1262229	TUBING ASSY, COND COIL W/FILTER DRIER [QTY 2] (M11, M13)	M11	-	CPLJ48-1
51	1259554P	LOUVERED PANEL, HAIRPIN SIDE (M1, M2)	M12	-	CPLJ48-1A
51	1259560PDG	LOUVERED PANEL, HAIRPIN SIDE (M3)	M13	-	CPLJ60-1
51	1259561PDG	LOUVERED PANEL, HAIRPIN SIDE (M7, M8)	M14	-	CPLJ60-1A
51	1259562PDG	LOUVERED PANEL, HAIRPIN SIDE (M9, M10, M12)			
51	1259563P	LOUVERED PANEL, HAIRPIN SIDE (M11, M13, M14)			
51	1259568PDG	LOUVERED PANEL, HAIRPIN SIDE (M4, M5, M6)			
101	1787211PDG	BASE PAN (M1, M2)			
101	1787212PDG	BASE PAN (M3, M4, M5, M6, M7, M8, M9, M10, M11, M12, M13, M14)			
9981	1259559P	LOUVERED PANEL, RETURN SIDE (M1, M2)			
9981	1259564P	LOUVERED PANEL, RETURN SIDE (M3)			
9981	1259565PDG	LOUVERED PANEL, RETURN SIDE (M7, M8)			
9981	1259566PDG	LOUVERED PANEL, RETURN SIDE (M9, M10, M12)			
9981	1259567P	LOUVERED PANEL, RETURN SIDE (M11, M13, M14)			
9981	1259571P	LOUVERED PANEL, RETURN SIDE (M4, M5, M6)			
9991	0152G00002S	FAN GRILL GUARD, LARGE (M14)			
NS	B1783803	ACORN NUT 5/16 HEX YELLOW ZINC (QTY 4)			
NS	B4400000	NAME PLATE (M1, M2, M3, M4, M6, M8, M10, M12, M14)			
NS	17788000062	PVC CONDUIT 11.0" LRG (M3, M4, M5, M6, M7, M8, M9, M10, M11, M12, M13, M14)			
NS	17788000061	PVC CONDUIT 7.5" SML (M1, M2)			

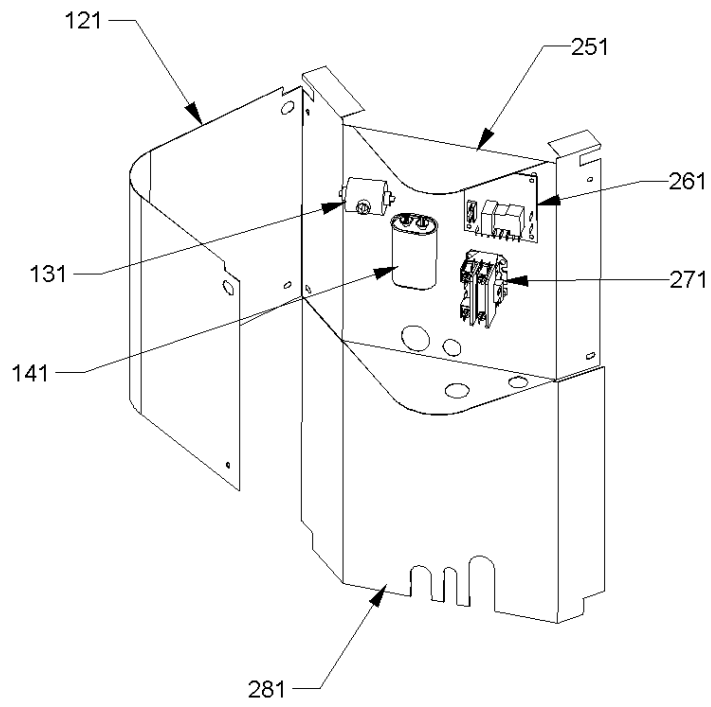
Internal Components



Internal Components

Ref. Part No:	No:	Description:	Ref. Part No:	No:	Description:														
<i>Image 1:</i>			<i>Image 1:</i>																
31	B1226206	ACCUMULATOR (M3, M4, M5, M6, M7, M8)	191	CR35K6PFV960	COMPRESSOR 35000, 208/230/60/1 (M7, M9)														
31	B1226205	ACCUMULATOR .625 (M1, M2)	191	ZR36K3PFV930	COMPRESSOR 36900, 208/230/60/1 (M10)														
31	B1226207	ACCUMULATOR .875 (M9, M10, M11, M12, M13, M14)	191	CR42K6PFV960	COMPRESSOR 41900, 380/420/60/1 (M11)														
61	B2114443	FLOWRATOR .043 (M1, M4)	191	ZR42K3PFV930	COMPRESSOR 42800, 208/230/60/1 (M12)														
61	B2114445	FLOWRATOR .045 (M2)	191	ZR48K3PFV935	COMPRESSOR 49800, 208/230/60/1 (M13)														
61	B2114452	FLOWRATOR .052 (M3, M6)	191	ZR54K3PFV930	COMPRESSOR 55000, 208/230/60/1 (M14)														
61	B2114455	FLOWRATOR .055 (M5, M7)	191	B9266842AS	COMPRESSOR H29B15UABCA (M1)														
61	B2114662	FLOWRATOR .062 (M8)	201	B1219301	MUFFLER 1/2 X 1/2 (M5, M6, M7, M8, M9, M10, M11, M12, M13, M14)														
61	B2114665	FLOWRATOR .065 (M9, M10)	201	B1219300	MUFFLER 3/8 X 3/8 (M1, M2, M3, M4)														
61	B2114672	FLOWRATOR .072 (M12)	211	B1360719	CUT-OUT SWITCH, LOW PRESSURE														
61	B2114874	FLOWRATOR .074 (M11, M13)	221	B1339530	COMPRESSOR GROMMET (M1, M2, M3, M4, M5, M7)														
61	B3118876	FLOWRATOR .076 (M14)	221	B1339533	COMPRESSOR GROMMET (M6, M8, M9, M10, M11, M12, M13, M14)														
71	B1789855	FLOW CHECK PISTON KIT .055 (M1, M2)	231	B1787000	VALVE CORE														
71	B1789859	FLOW CHECK PISTON KIT .059 (M4)	241	B1282566	3/4" SERVICE VALVE (M1, M2, M3, M5, M6, M7, M8)														
71	B1789865	FLOW CHECK PISTON KIT .065 (M3)	241	B12825167	7/8" SERVICE VALVE (M9, M10, M11, M12, M13, M14)														
71	B1789868	FLOW CHECK PISTON KIT .068 (M5, M6)	261	PCBDM101S	DEFROST CONTROL BOARD														
71	B1789874	FLOW CHECK PISTON KIT .074 (M7, M8)	NS	B1393701	COMPRESSOR BOLT & SLEEVE ASSY (M1, M2)														
71	B1789878	FLOW CHECK PISTON KIT .078 (M9, M10)	NS	M0221641	TF SHOULDER SCREW (M3, M4, M5, M6, M7, M8, M9, M10, M11, M12, M13, M14)														
71	B1789884	FLOW CHECK PISTON KIT .084 (M11, M12)	Expanded Model Nomenclature																
71	B1789889	FLOW CHECK PISTON KIT .089 (M13)	<table border="1"> <tr><td>M1 - CPLJ18-1</td></tr> <tr><td>M2 - CPLJ18-1A</td></tr> <tr><td>M3 - CPLJ24-1</td></tr> <tr><td>M4 - CPLJ24-1A</td></tr> <tr><td>M5 - CPLJ30-1</td></tr> <tr><td>M6 - CPLJ30-1A</td></tr> <tr><td>M7 - CPLJ36-1</td></tr> <tr><td>M8 - CPLJ36-1A</td></tr> <tr><td>M9 - CPLJ42-1</td></tr> <tr><td>M10 - CPLJ42-1A</td></tr> <tr><td>M11 - CPLJ48-1</td></tr> <tr><td>M12 - CPLJ48-1A</td></tr> <tr><td>M13 - CPLJ60-1</td></tr> <tr><td>M14 - CPLJ60-1A</td></tr> </table>			M1 - CPLJ18-1	M2 - CPLJ18-1A	M3 - CPLJ24-1	M4 - CPLJ24-1A	M5 - CPLJ30-1	M6 - CPLJ30-1A	M7 - CPLJ36-1	M8 - CPLJ36-1A	M9 - CPLJ42-1	M10 - CPLJ42-1A	M11 - CPLJ48-1	M12 - CPLJ48-1A	M13 - CPLJ60-1	M14 - CPLJ60-1A
M1 - CPLJ18-1																			
M2 - CPLJ18-1A																			
M3 - CPLJ24-1																			
M4 - CPLJ24-1A																			
M5 - CPLJ30-1																			
M6 - CPLJ30-1A																			
M7 - CPLJ36-1																			
M8 - CPLJ36-1A																			
M9 - CPLJ42-1																			
M10 - CPLJ42-1A																			
M11 - CPLJ48-1																			
M12 - CPLJ48-1A																			
M13 - CPLJ60-1																			
M14 - CPLJ60-1A																			
81	B1219204	BI-FLOW FILTER DRIER, STEEL																	
91	B1370803	DEFROST THERMOSTAT																	
111	B12825171	3/8" SERVICE VALVE (M1, M2, M3, M5, M6, M7, M8, M9, M10, M11, M12, M13, M14)																	
151	0131M00008PS	COND MOTOR 1/3 HP, 1 SP, 6 PL (M14)																	
151	0131M00007PS	COND MOTOR 1/4 HP, 1 SP, 6 PL (M9, M10, M11, M12, M13)																	
151	0131M00009PS	COND MOTOR 1/6 HP, 1 SP, 8 PL (M1, M2, M3, M4, M5, M6, M7, M8)																	
161	B1086771S	FAN BLADE 18", X-SERIES (M1, M2)																	
161	B1086770S	FAN BLADE 22", 3 BLADE, 19° (M7, M8, M9, M10, M11, M12)																	
161	B1086750S	FAN BLADE 22", 3 BLADE, 24° (M3, M4, M5, M6, M13)																	
161	B1086748S	FAN BLADE 22", 3 BLADE, 30° (M14)																	
171	B1225020	SOLENOID COIL CORD W/1/4" TERMINAL																	
181	B1227314S	REVERSING VALVE (M1, M2)																	
181	B1227316S	REVERSING VALVE (M3, M4, M5, M6, M7, M8)																	
181	B1227317S	REVERSING VALVE (M9, M10, M11, M12, M13, M14)																	
191	CR18K6PFV960	COMPRESSOR 18000, 208/230/60/1 (M2)																	
191	CR20K6PFV960	COMPRESSOR 19600, 208/230/60/1 (M4)																	
191	CR22K6PFV960	COMPRESSOR 22100, 208/230/60/1 (M3)																	
191	ZR28K3PFV930	COMPRESSOR 28500, 208/230/60/1 (M6)																	
191	CR30K6PFV960	COMPRESSOR 30000, 208/230/60/1 (M5)																	
191	ZR32K3PFV930	COMPRESSOR 32600, 208/230/60/1 (M8)																	

Control



Control

Ref. Part No:	No:	Description:	Ref. Part No:	No:	Description:
<i>Image 1:</i>					
121	1787624P	CONTROL BOX COVER			
131	B1141670	START ASSIST 305C20A CERA-MITE (M5, M7, M9, M11)			
141	CAP050250440RSS	CAPACITOR 5/25/440V [CONTROL BOX] (M2)			
141	CAP050300370RSS	CAPACITOR 5/30/370V [CONTROL BOX] (M1, M3, M4)			
141	CAP050350440RSS	CAPACITOR 5/35/440V [CONTROL BOX] (M5)			
141	CAP050400370RSS	CAPACITOR 5/40/370V [CONTROL BOX] (M7)			
141	CAP050450370RSS	CAPACITOR 5/45/370V [CONTROL BOX] (M6, M8, M9, M11)			
141	CAP050500440RTS	CAPACITOR 5/50/440V [CONTROL BOX] (M10)			
141	CAP050600440RTS	CAPACITOR 5/60/440V [CONTROL BOX] (M12, M13)			
141	CAP050800440RTS	CAPACITOR 5/80/440V [CONTROL BOX] (M14)			
251	1787623	CONTROL BOX			
271	CONT2P025024VS	CONTACTOR 25 AMP, 2P, 24V (M1, M2, M3, M4, M5, M6, M7, M8, M9, M10)			
271	CONT2P030024VS	CONTACTOR 30 AMP, 2P, 24V (M11, M12)			
271	CONT2P040024VS	CONTACTOR 40 AMP, 2P, 24V (M13, M14)			
281	1787707P	ACCESS PANEL 25" (M3)			
281	1787708P	ACCESS PANEL 27.5" (M4, M5, M6)			
281	1787709P	ACCESS PANEL 30" (M7, M8)			
281	1787710P	ACCESS PANEL 32.5" (M1, M2)			
281	1787717P	ACCESS PANEL 37.5" (M9, M10, M12)			
281	1787718P	ACCESS PANEL 40" (M11, M13, M14)			
NS	1284835	CAPACITOR STRAP			
NS	B1610629	POWDER PAINT (BAHAMA BEIGE)			

Expanded Model Nomenclature

- M1 - CPLJ18-1
- M2 - CPLJ18-1A
- M3 - CPLJ24-1
- M4 - CPLJ24-1A
- M5 - CPLJ30-1
- M6 - CPLJ30-1A
- M7 - CPLJ36-1
- M8 - CPLJ36-1A
- M9 - CPLJ42-1
- M10 - CPLJ42-1A
- M11 - CPLJ48-1
- M12 - CPLJ48-1A
- M13 - CPLJ60-1
- M14 - CPLJ60-1A

