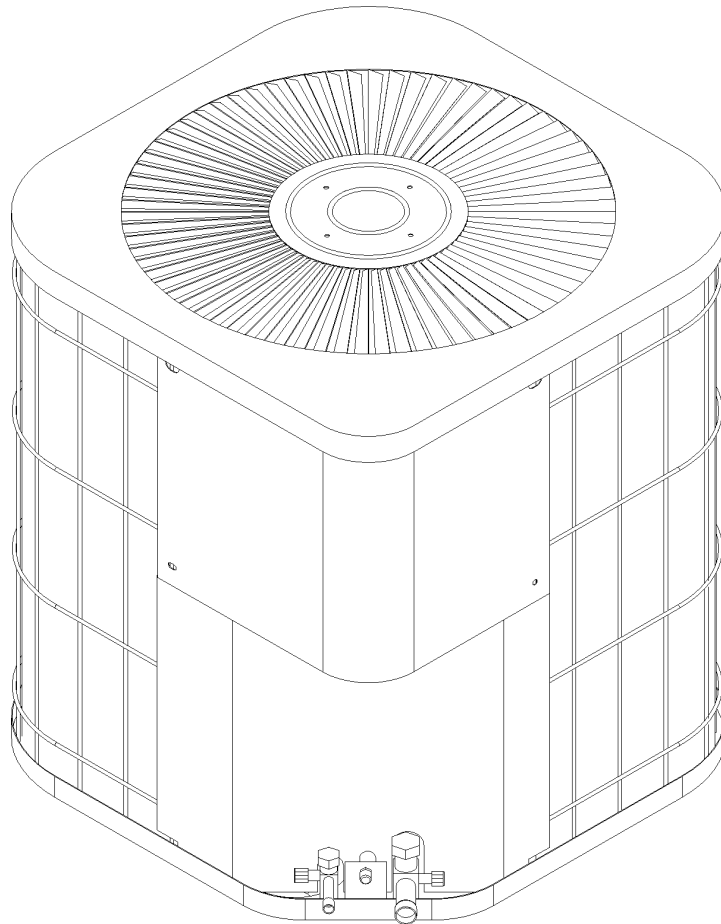




REPAIR PARTS

CPKE Heat Pumps

CPKE18-1
CPKE18-1A
CPKE24-1
CPKE24-1A
CPKE30-1
CPKE36-1
CPKE36-1A
CPKE42-1
CPKE48-1
CPKE48-3
CPKE60-1
CPKE60-1A
CPKE60-3
CPKE60-3A



Goodman Manufacturing Company, L.P.
5151 San Felipe, Suite 500
Houston, TX 77056

www.goodmanmfg.com

RP-191H
June 2007

Important Information

Index

| | |
|------------------------------|-------|
| Functional Parts List | 3 |
| Illustration and Parts | 6 - 9 |

Views shown are for parts illustrations only, not servicing procedures

Rev. H: Updated compressor part numbers.

Text Codes:

AR - As Required

NA - Not Available

NS - Not Shown

00000000 - See Note

QTY - Quantity Example (QTY 3) (If Quantity not shown, Quantity = 1)

M - Model Example (M1) (If M Code not shown, then part is used on all Models)

Expanded Model Nomenclature:

Example

M1 - Model#1

M2 - Model#2

M3 - Model#3

Goodman Manufacturing Company, L.P. is not responsible for personal injury or property damage resulting from improper service. Review all service information before beginning repairs.

Warranty service must be performed by an authorized technician, using authorized factory parts. If service is required after the warranty expires, Goodman Manufacturing Company, L.P. also recommends contacting an authorized technician and using authorized factory parts.

Goodman Manufacturing Company, L.P. reserves the right to discontinue, or change at any time, specifications or designs without notice or without incurring obligations.

For assistance within the U.S.A. contact:

Consumer Affairs Department

Goodman Manufacturing Company, L.P.

7401 Security Way

Houston, Texas 77040

877-254-4729-Telephone

713-863-2382-Facsimile

For assistance outside the U.S.A. contact:

International Division

Goodman Manufacturing Company, L.P.

7401 Security Way

Houston, Texas 77040

713-861-2500-Telephone

713-863-2382-Facsimile

Functional Parts

Part

No: Description:

| Part No: | Description: | Part No: | Description: |
|----------------|--|------------|--|
| B1226207 | ACCUMULATOR (M8, M9, M10, M11, M12, M13, M14) | B1370803 | DEFROST THERMOSTAT |
| B1226206 | ACCUMULATOR (M5, M6, M7) | B1789893 | FLOW CHECK PISTON KIT (M12, M14) |
| B1226205 | ACCUMULATOR .625 (M1, M2, M3, M4) | B1789874 | FLOW CHECK PISTON KIT (M6, M7) |
| B1219204 | BI-FLOW FILTER DRIER, STEEL | B2114465 | FLOWRATOR W/COPPER STUB (M6, M7) |
| B1226008S | BOARD, DEFROST CONTROL | B2114680 | FLOWRATOR W/COPPER STUB (M11, M12, M13, M14) |
| CAP050300370RS | CAPACITOR 5/30/370V (M1, M2, M4) | B2114455 | FLOWRATOR W/COPPER STUB (M5) |
| B94575300 | CAPACITOR 5/35/370V (M3, M5) | B2114452 | FLOWRATOR W/COPPER STUB (M3) |
| CAP050350440RS | CAPACITOR 5/35/440V (M8) | B1314341 | FLOWRATOR W/COPPER STUB (M1, M2) |
| CAP050000370VA | CAPACITOR 5/370V (M10, M13, M14) | B2114441 | FLOWRATOR W/COPPER STUB (M4) |
| CAP050400440RT | CAPACITOR 5/40/440V (M9) | B2114665 | FLOWRATOR W/COPPER STUB (M8) |
| CAP050450370RS | CAPACITOR 5/45/370V (M6, M7) | B2114672 | FLOWRATOR W/COPPER STUB (M9, M10) |
| CAP050600370RT | CAPACITOR 5/60/370V (M11, M12) | B1360719 | LOW PRESSURE SWITCH |
| CR38K6PFV960 | COMPRESSOR H23A383ABCA (703859-1501-00) (M8) | B13400247S | MOTOR 1/4 HP, 230V, 1.8 FLA, 1SP (M6, M7, M8, M9, M10, M11, M12, M13, M14) |
| B9266201AS | COMPRESSOR H23A423ABCA (703932-1501-00) (M9) | B13400252S | MOTOR 1/6 HP, 230V, 1.3 FLA, 1SP (M1, M2, M3, M4, M5) |
| B9266204AS | COMPRESSOR H23A423DBLA (703932-1501-00) (M10) | B1219301 | MUFFLER 1/2 X 1/2 (M6, M7, M8, M9, M10, M11, M12, M13, M14) |
| CR22K6PFV960 | COMPRESSOR H23B22SABCA (705034-1501-00) (M4) | B1219300 | MUFFLER 3/8 X 3/8 (M1, M2, M3, M4, M5) |
| B9266812AS | COMPRESSOR H23B24SABCA (705081-1501-00) (M3) | 17279770 | REVERSING VALVE ASSY (M12, M14) |
| B9266295A | COMPRESSOR H25A56QDBLA (706432-1501-00) (M13) | 17279833 | REVERSING VALVE ASSY (M5) |
| CR18K6PFV960 | COMPRESSOR H25B17QABCA (706454-1501-00) (M1) | 17279732 | REVERSING VALVE ASSY (M1, M2, M3, M4) |
| CR28K6PFV960 | COMPRESSOR H25B28QABCA (706504-1501-00) (M5) | 17279768 | REVERSING VALVE ASSY (M6, M7) |
| CR35K6PFV960 | COMPRESSOR H25B35QABCA (706549-1501-00) (M6, M7) | 17279709 | REVERSING VALVE ASSY (M8, M9, M10, M11, M13) |
| B9266294AS | COMPRESSOR H27A56QCBCA (706830-1501-00) (M11) | B1227317S | REVERSING VALVE V10 (M8, M9, M10, M11, M12, M13, M14) |
| CR18K6PFV960 | COMPRESSOR H29B17UABCA (729004-1501-00) (M2) | B1227314S | REVERSING VALVE V2 (M1, M2, M3, M4) |
| B1488800 | COMPRESSOR SOUND BLANKET (H27A'S) (M11, M13) | B1227316S | REVERSING VALVE W/COIL (M5, M6, M7) |
| ZR57K3PFV950 | COMPRESSOR ZR57KC-PFV-250 (M12) | B1225020 | SOLENOID COIL CORD W/1/4" TERMINAL |
| ZR57KCTF5930 | COMPRESSOR ZR57KC-TF5-230 (M14) | B1225017S | SOLENOID, 24V COIL REVERSING VALVE |
| CONT1P025024VS | CONTACTOR 25 AMP, 1P, 277V, 125 LRA (M1, M2, M3, M4, M5, M6, M7, M8) | B1141670 | START ASSIST (M11) |
| CONT3P025024V | CONTACTOR 25 AMP, 3P, 24V (M10, M13, M14) | B1787000 | VALVE CORE (M1, M3, M4, M5, M6, M7, M8, M9, M10, M11, M12, M13, M14) |
| CONT1P030024V | CONTACTOR 30 AMP, 1P, 24V (M9, M11) | B1282566 | VALVE, SERVICE 3/4" (M1, M2, M3, M4, M5, M6, M7) |
| CONT2P040024V | CONTACTOR 40 AMP, 2P, 24V (M12) | B12825171 | VALVE, SERVICE 3/8" (M2, M4, M5, M7, M8, M9, M10, M12, M14) |
| 1284425 | CRATED SERVICE COIL (M6, M7) | 20163801 | VALVE, SERVICE 3/8" (M1, M3, M6, M11, M13) |
| 1260430 | CRATED SERVICE COIL (M3, M4, M5) | B12825167 | VALVE, SERVICE 7/8" (M8, M9, M10, M11, M12, M13, M14) |
| 1262200 | CRATED SERVICE COIL (M1, M2) | | |
| 1284630 | CRATED SERVICE COIL (M8, M9, M10, M11, M12, M13, M14) | | |

Functional Parts

Part

No: Description:

SPECIAL PARTS

IO-103G INSTALLATION INSTRUCTIONS

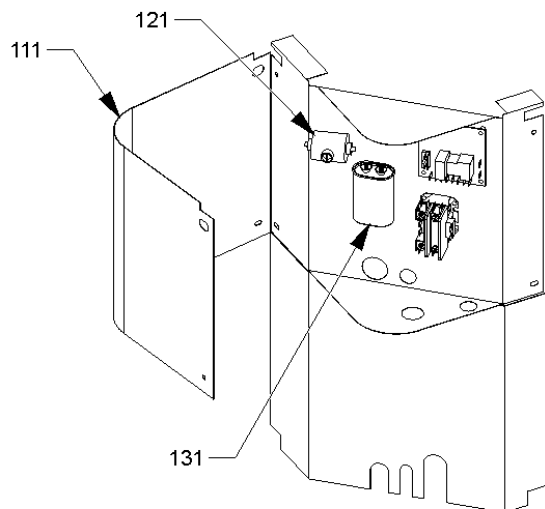
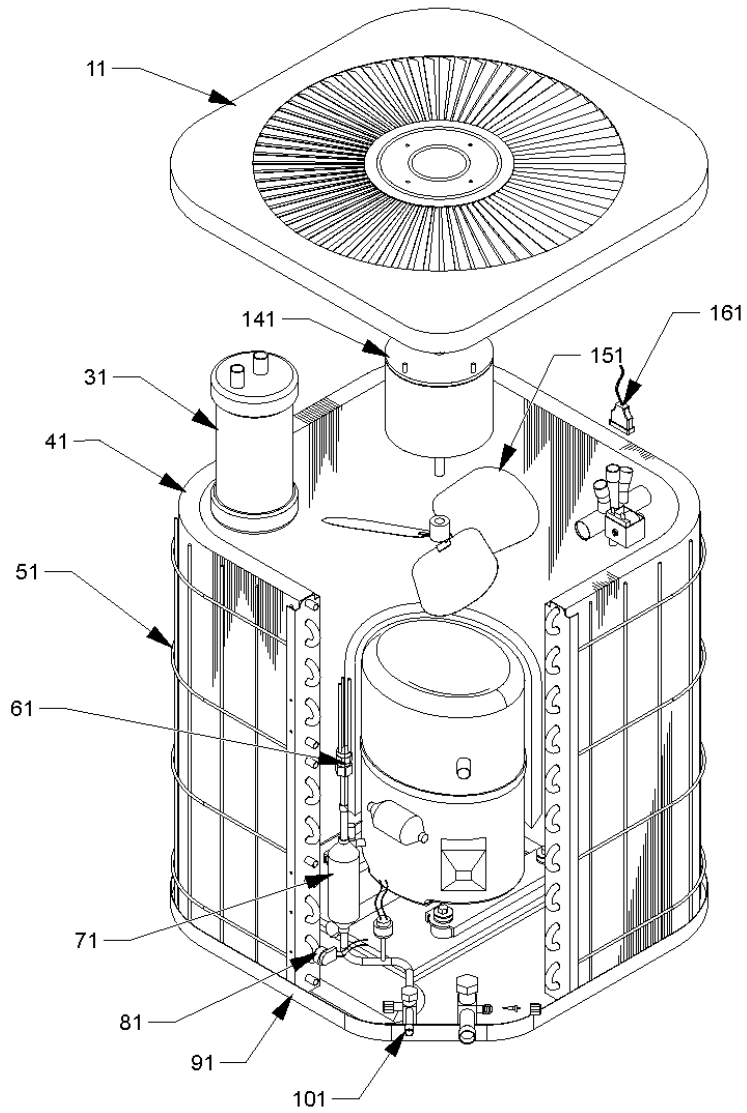
RP-191H REPAIR PARTS MANUAL

Expanded Model Nomenclature

| |
|-----------------|
| M1 - CPKE18-1 |
| M2 - CPKE18-1A |
| M3 - CPKE24-1 |
| M4 - CPKE24-1A |
| M5 - CPKE30-1 |
| M6 - CPKE36-1 |
| M7 - CPKE36-1A |
| M8 - CPKE42-1 |
| M9 - CPKE48-1 |
| M10 - CPKE48-3 |
| M11 - CPKE60-1 |
| M12 - CPKE60-1A |
| M13 - CPKE60-3 |
| M14 - CPKE60-3A |

THIS PAGE INTENTIONALLY LEFT BLANK

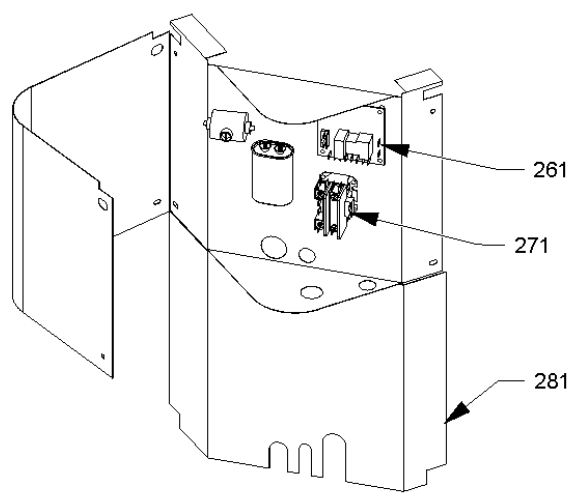
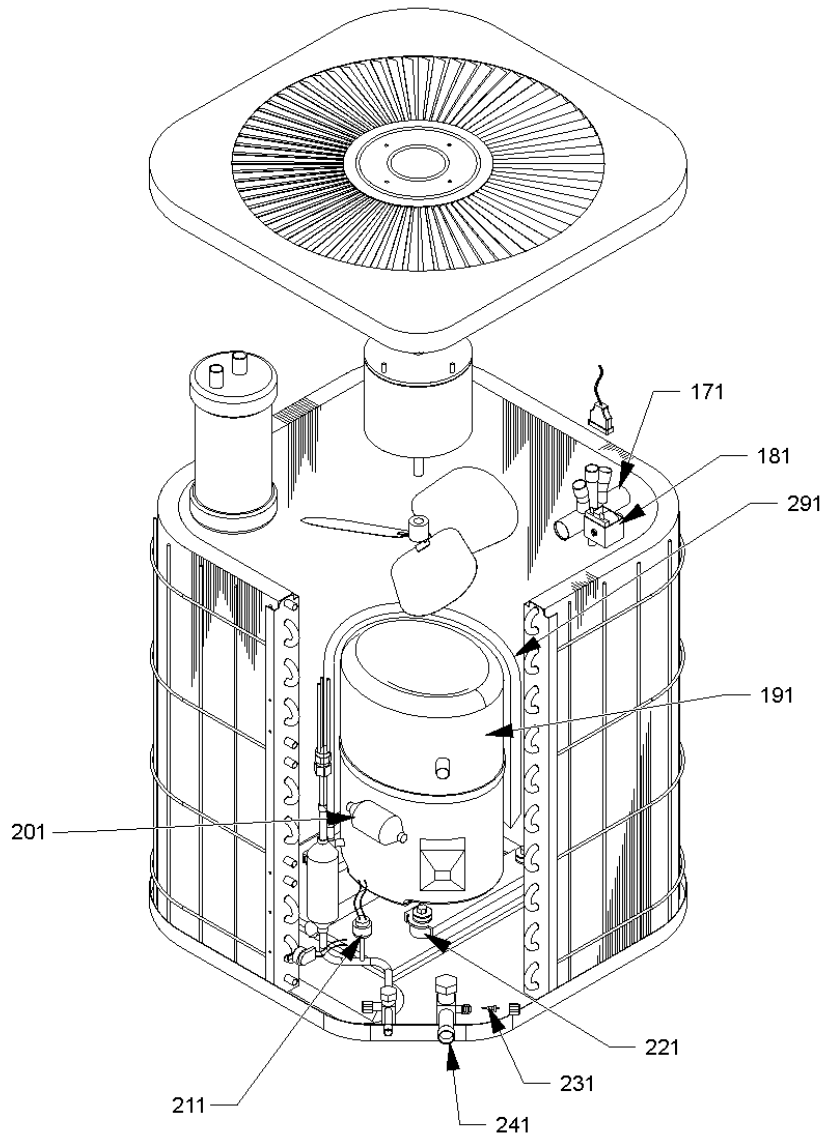
Unit Assembly



Unit Assembly

| Ref Part No: | Description: | Ref. Part No: | Description: |
|--------------------|--|-----------------------------|------------------------------------|
| <i>Image 1:</i> | | 161 B1225020 | SOLENOID COIL CORD W/1/4" TERMINAL |
| 11 1779405P | TOP PANEL (M1, M2, M3, M4, M5) | Expanded Model Nomenclature | |
| 11 1779415P | TOP PANEL (M6, M7, M8, M9, M10, M11, M12, M13, M14) | M1 - CPKE18-1 | |
| 31 B1226206 | ACCUMULATOR (M5, M6, M7) | M2 - CPKE18-1A | |
| 31 B1226207 | ACCUMULATOR (M8, M9, M10, M11, M12, M13, M14) | M3 - CPKE24-1 | |
| 31 B1226205 | ACCUMULATOR .625 (M1, M2, M3, M4) | M4 - CPKE24-1A | |
| 41 1260430 | CRATED SERVICE COIL (M3, M4, M5) | M5 - CPKE30-1 | |
| 41 1262200 | CRATED SERVICE COIL (M1, M2) | M6 - CPKE36-1 | |
| 41 1284425 | CRATED SERVICE COIL (M6, M7) | M7 - CPKE36-1A | |
| 41 1284630 | CRATED SERVICE COIL (M8, M9, M10, M11, M12, M13, M14) | M8 - CPKE42-1 | |
| 51 B1259522 | GRILLE 22" (M1, M2) | M9 - CPKE48-1 | |
| 51 B1259625 | GRILLE 25" (M6, M7) | M10 - CPKE48-3 | |
| 51 1260322 | GRILLE 30" (M3, M4, M5) | M11 - CPKE60-1 | |
| 51 B1259630 | GRILLE 30" (M8, M9, M10, M11, M12, M13, M14) | M12 - CPKE60-1A | |
| 61 B1314341 | FLOWRATOR W/COPPER STUB (M1, M2) | M13 - CPKE60-3 | |
| 61 B2114441 | FLOWRATOR W/COPPER STUB (M4) | M14 - CPKE60-3A | |
| 61 B2114452 | FLOWRATOR W/COPPER STUB (M3) | | |
| 61 B2114455 | FLOWRATOR W/COPPER STUB (M5) | | |
| 61 B2114465 | FLOWRATOR W/COPPER STUB (M6, M7) | | |
| 61 B2114665 | FLOWRATOR W/COPPER STUB (M8) | | |
| 61 B2114672 | FLOWRATOR W/COPPER STUB (M9, M10) | | |
| 61 B2114680 | FLOWRATOR W/COPPER STUB (M11, M12, M13, M14) | | |
| 71 B1219204 | BI-FLOW FILTER DRIER, STEEL | | |
| 81 B1370803 | DEFROST THERMOSTAT | | |
| 91 1787209P | BASE PAN (M1, M2, M3, M4, M5) | | |
| 91 1787210P | BASE PAN (M6, M7, M8, M9, M10, M11, M12, M13, M14) | | |
| 101 20163801 | VALVE, SERVICE 3/8" (M1, M3, M6, M11, M13) | | |
| 101 B12825171 | VALVE, SERVICE 3/8" (M2, M4, M5, M7, M8, M9, M10, M12, M14) | | |
| 111 1787624P | CONTROL BOX COVER | | |
| 121 B1141670 | START ASSIST (M11) | | |
| 131 CAP050300370RS | CAPACITOR 5/30/370V (M1, M2, M4) | | |
| 131 B94575300 | CAPACITOR 5/35/370V (M3, M5) | | |
| 131 CAP050350440RS | CAPACITOR 5/35/440V (M8) | | |
| 131 CAP050000370VA | CAPACITOR 5/370V (M10, M13, M14) | | |
| 131 CAP050400440RT | CAPACITOR 5/40/440V (M9) | | |
| 131 CAP050450370RS | CAPACITOR 5/45/370V (M6, M7) | | |
| 131 CAP050600370RT | CAPACITOR 5/60/370V (M11, M12) | | |
| 141 B13400247S | MOTOR 1/4 HP, 230V, 1.8 FLA, 1SP (M6, M7, M8, M9, M10, M11, M12, M13, M14) | | |
| 141 B13400252S | MOTOR 1/6 HP, 230V, 1.3 FLA, 1SP (M1, M2, M3, M4, M5) | | |
| 151 B1086771S | FAN BLADE 18" X-SERIES (M1, M2, M3, M4, M5) | | |
| 151 B1086750S | FAN BLADE 22", 3 BLADE, 24°P (M6, M7, M8, M9, M10, M11, M12, M13, M14) | | |

Unit Assembly



Unit Assembly

| Ref Part No: | Description: | Ref. Part No: | Description: |
|-----------------|---|--|---|
| <i>Image 1:</i> | | 271 | CONT2P040024V CONTACTOR 40 AMP, 2P, 24V (M12) |
| 171 | 17279709 REVERSING VALVE ASSY (M8, M9, M10, M11, M13) | 281 | 1787706P ACCESS PANEL 22.5" (M1, M2) |
| 171 | 17279732 REVERSING VALVE ASSY (M1, M2, M3, M4) | 281 | 1787707P ACCESS PANEL 25" (M6, M7) |
| 171 | 17279768 REVERSING VALVE ASSY (M6, M7) | 281 | 1787709P ACCESS PANEL 30" (M3, M4, M5, M8, M9, M10, M11, M12, M13, M14) |
| 171 | 17279770 REVERSING VALVE ASSY (M12, M14) | 291 | B1488800 COMPRESSOR SOUND BLANKET (H27A'S) (M11, M13) |
| 171 | 17279833 REVERSING VALVE ASSY (M5) | NS | 1284835 CAPACITOR STRAP |
| 171 | B1227317S REVERSING VALVE V10 (M8, M9, M10, M11, M12, M13, M14) | NS | B1393701 COMPRESSOR BOLT & SLEEVE ASSY (M1, M2, M3, M4, M5) |
| 171 | B1227314S REVERSING VALVE V2 (M1, M2, M3, M4) | NS | M0221641 SCREW-SHOULDER TF (M6, M7, M8, M9, M10, M11, M12, M13, M14) |
| 171 | B1227316S REVERSING VALVE W/COIL (M5, M6, M7) | Expanded Model Nomenclature | |
| 181 | B1225017S SOLENOID, 24V COIL REVERSING VALVE | <div style="border: 1px solid black; padding: 5px;"> M1 - CPKE18-1 M2 - CPKE18-1A M3 - CPKE24-1 M4 - CPKE24-1A M5 - CPKE30-1 M6 - CPKE36-1 M7 - CPKE36-1A M8 - CPKE42-1 M9 - CPKE48-1 M10 - CPKE48-3 M11 - CPKE60-1 M12 - CPKE60-1A M13 - CPKE60-3 M14 - CPKE60-3A </div> | |
| 191 | CR38K6PFV960 COMPRESSOR H23A383ABCA (703859-1501-00) (M8) | | |
| 191 | B9266201AS COMPRESSOR H23A423ABCA (703932-1501-00) (M9) | | |
| 191 | B9266204AS COMPRESSOR H23A423DBLA (703932-1501-00) (M10) | | |
| 191 | CR22K6PFV960 COMPRESSOR H23B22SABCA (705034-1501-00) (M4) | | |
| 191 | B9266812AS COMPRESSOR H23B24SABCA (705081-1501-00) (M3) | | |
| 191 | B9266295A COMPRESSOR H25A56QDBLA (706432-1501-00) (M13) | | |
| 191 | CR18K6PFV960 COMPRESSOR H25B17QABCA (706454-1501-00) (M1) | | |
| 191 | CR28K6PFV960 COMPRESSOR H25B28QABCA (706504-1501-00) (M5) | | |
| 191 | CR35K6PFV960 COMPRESSOR H25B35QABCA (706549-1501-00) (M6, M7) | | |
| 191 | B9266294AS COMPRESSOR H27A56QCBCA (706830-1501-00) (M11) | | |
| 191 | CR18K6PFV960 COMPRESSOR H29B17UABCA (729004-1501-00) (M2) | | |
| 191 | ZR57K3PFV950 COMPRESSOR ZR57KC-PFV-250 (M12) | | |
| 191 | ZR57KCTF5930 COMPRESSOR ZR57KC-TF5-230 (M14) | | |
| 201 | B1219301 MUFFLER 1/2 X 1/2 (M6, M7, M8, M9, M10, M11, M12, M13, M14) | | |
| 201 | B1219300 MUFFLER 3/8 X 3/8 (M1, M2, M3, M4, M5) | | |
| 211 | B1360719 LOW PRESSURE SWITCH | | |
| 221 | B1339530 COMPRESSOR GROMMET (M1, M2, M3, M4, M5, M6, M7, M8, M9, M10) | | |
| 221 | B1339533 COMPRESSOR GROMMET (M11, M12, M13, M14) | | |
| 231 | B1787000 VALVE CORE (M1, M3, M4, M5, M6, M7, M8, M9, M10, M11, M12, M13, M14) | | |
| 241 | B1282566 VALVE, SERVICE 3/4" (M1, M2, M3, M4, M5, M6, M7) | | |
| 241 | B12825167 VALVE, SERVICE 7/8" (M8, M9, M10, M11, M12, M13, M14) | | |
| 261 | B1226008S BOARD, DEFROST CONTROL | | |
| 271 | CONT1P025024VS CONTACTOR 25 AMP, 1P, 277V, 125 LRA (M1, M2, M3, M4, M5, M6, M7, M8) | | |
| 271 | CONT3P025024V CONTACTOR 25 AMP, 3P, 24V (M10, M13, M14) | | |
| 271 | CONT1P030024V CONTACTOR 30 AMP, 1P, 24V (M9, M11) | | |